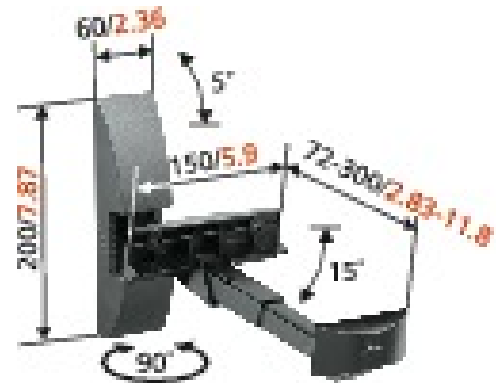




VLB 200 Loudspeaker wall mount (2x)

Wall mount your bookshelf speaker (up to 20kg) without screwing into the speaker.

Max. weight of TV (kg)	20.0
Turn	90
Tilt	15
Guarantee	5 years



VLB 200 Loudspeaker wall mount (2x)

Clamping construction makes screw-less mounting of your speaker possible. Features a tilt and turn function to guarantee an optimal listening position.

Features

- Tilt and turn functions guarantee optimal listening position
- For medium-size speakers
- No screws required, due to the clamping construction

Logistic information

EAN Code Product	8712285001024
Net weight (kg)	2.0
Single Box Width (mm)	305.0
Single Box Length (mm)	205.0
Single Box Height (mm)	70.0

