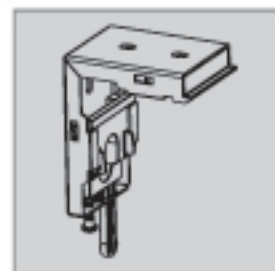
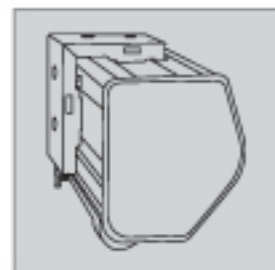
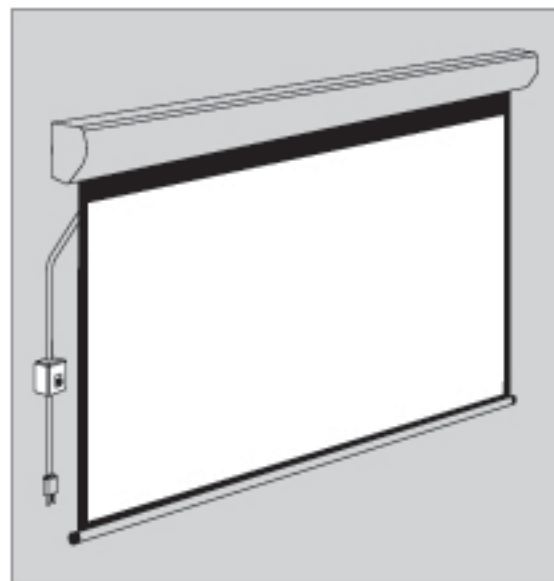


- Designed to reflect high quality images
- Designed for simple installation and use

GRANDVIEW®
GRANDVIEW REPRODUCING GENUINE COLORS

www.cyberscreens.co.uk - info@cyberscreens.co.uk



Installation Guide for

Cyber Series Motorized Screen

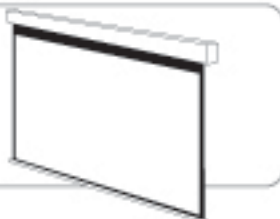
- Easy to operate and reflects vivid and colourful images
- Designed for home theatres
- Specially suited for DLP / LCD projectors

Thank you for purchasing a Grandview projection screen.

Before use, please read instructions carefully. After installation, store instructions for future reference.

Thank you for choosing Grandview

Grandview screens will reflect the most realistic images and can be used with a wide range of applications. The design is practical yet up to date, a simple choice for any professional or home theatre enthusiast.



Product Safety

To ensure your safety, please read "Product Manual and Warnings"

- The ceiling or wall used for fixture installation must be secure to prevent the screens from falling.
- While installing electrical motors, please hire professionals or your local dealer to ensure safety. A misconnection may lead to fire or leaks.
- Keep all infrared wireless products away from fluorescent lighting as it may cause malfunctions.
- Please read the following as any damage to the screen surface will affect the quality of the picture:
 1. Avoid contact or touching the screen surface as it may cause scratches or tears.
 2. Do not write or draw on the surface
 3. Clean the screen with a soft cloth and lukewarm water. Do not use any detergent or cleaning products.
- Roll up the screen after every use. Ensure that the screen is level when installing; do not pull on the sides or fold the screen.
- To prevent unnecessary damage, the operating and maintenance of the screen should be done by adults.

Product Features

- **Trendy and Elegant Color Selection**
The aluminum alloy casing is simple and the trendy design comes in a variety of colors.
- **Easy Installation**
The installation is easy and user-friendly. The versatile design gives the user the choice of either a ceiling installation or wall mount. Once installed, it remains secure and safe.
- **Top-Quality Motor**
Equipped with the world-renowned power motor made by Somfy Systems. It is quiet, secure, and precise.
- **Resolution**
Originated in the U.S.A., the matte white and glass-beaded material provide different brightness and viewing ranges, flexible to suit every setting. The matte white allows a wider view range and soft colors, while the glass-beaded gives a brighter image with a higher resolution and contrast.
- **Smooth Surface**
Grandview's screens are made with American fiberglass materials, allowing only a 1% contraction, compared to a contraction of 33% on other screens. This allows the fiberglass screens to remain smooth, hold its shape, and last longer.
- **Location**
It is suited for various venues such as education facilities, home theatres, boardrooms, or other entertainment sites.

Warnings



Ignoring the safety warnings may lead to injuries and/or damaging the product.



Fixtures should be installed in a secure place to avoid accidents or the screen falling.



Do not connect any electrical attachments or remote controls.



Roll up the screen after every use. Leaving it hanging for a long period of time may cause the fabric to loosen.



Please contact your local dealer for repairs or maintenance. Please contact our company if you have any further questions. Avoid taking apart the fixtures yourself. Loose parts may cause the screen to fall.



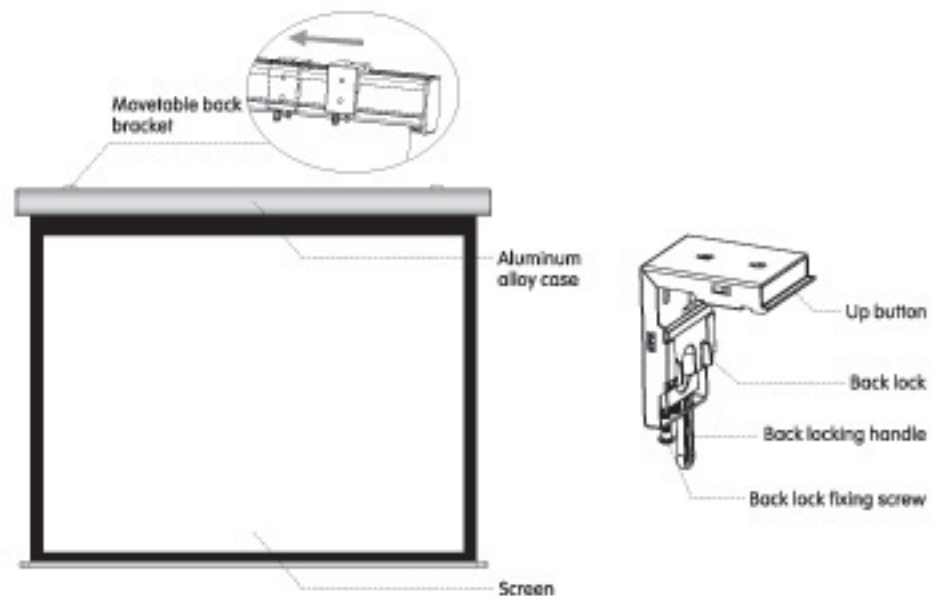
Refrain from hanging anything on the screen as it may cause the screen to fall.

Do not take apart and replace with unknown parts. If there are any problems, please contact your local dealer. Product specifications are subject to change.

Cyber Motorized Screen Patents

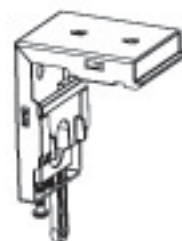
Projection screen appearance	200520057362.6
Projection screen bracket	200520057372.4

Description



Accessories

- Movable back bracket(2 sets)



- Installation Manual

- #5mm Allen Key (1)



- #5 x 40mm Screw (4)



- #5 x 60mm Screw (4)



- Warranty Card

Format	16:9			
Specification(In)	77	92	106	
Viewing Area W	mm	1704	2030	2340
	in	67	80	92
Viewing Area H	mm	958	1145	1320
	in	38	45	52
L total length	mm	1944	2270	2575
A size	mm	2000	2000	2000
P size	mm	1872	2198	2508
C size	mm	300	400	500
B1 size	mm	50	50	50
B2 size	mm	40	40	40
B3 size	mm	875	688	513
Net Weight (kg)		10.0	11.4	12.7

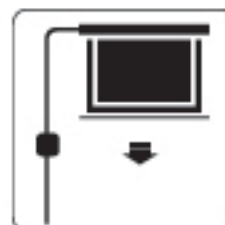
Grandview projection screens are controlled by a manual switch or an automatic remote control.

1. Manual switch control

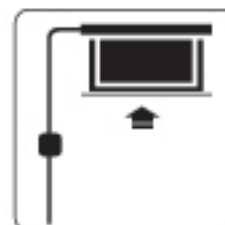
- Connect to a power source (Please make sure it is the right voltage)
- Turn the switch to position 2 to lower the screen; it will come down slowly. When it is all the way down, it will stop automatically.
- Turn the switch to position 1 to retract the screen; it will go up into the metal casing. When it is all the way up, it will stop automatically.
- To stop any time while the screen is in motion, turn the switch to 0.



Picture 1



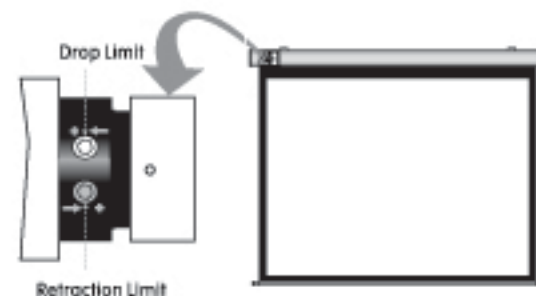
Picture 2



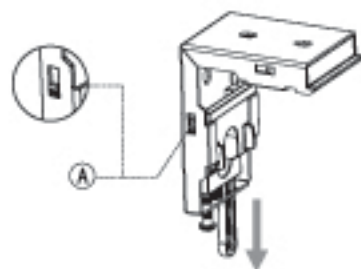
Picture 3

2. Automatic remote control (Please see section on Remote Control)

To avoid overheating the motor, do not continually retract and lower the screen for over 4 minutes at a time. If the motor overheats, it will need a cool down time of 2 minutes. The motor does not need any lubricants. The drop and retract limit of the screen is factory preset to an optimal configuration. Please ask your local dealer or professional to adjust settings to avoid damaging the motor.

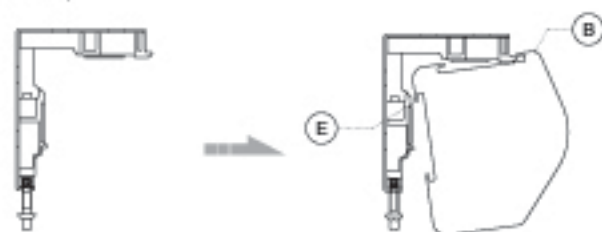


3. Pull down the notch at the bottom of each bracket until it clicks (figure 6).

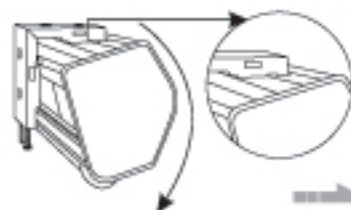


Picture 6

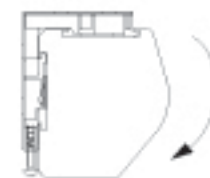
4. When mounting the screen, have side B turned upwards so that E will easily fit into the bracket groove (figure 7). Push the casing into the bracket and you will hear a click. Ensure that casing fits and is secure inside the brackets (figure 8-9).



Picture 7



Picture 8



Picture 9



Picture 10

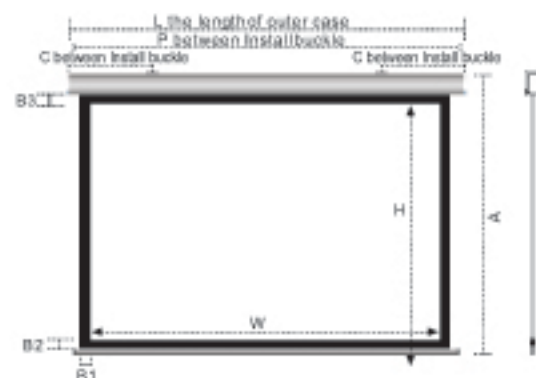


Picture 11

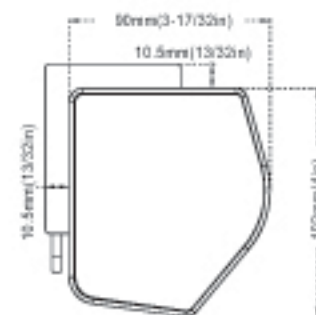
Screen Packaging Specifications

Format	18.8	
Specification (in)	Packaging LxWxH	
	mm	in
77	2321x177x185	91-316x-31/32x7-8/32
92	2647x177x185	104-7/32x8-31/32x7-8/32
106	2957x177x185	116-13/32x8-31/32x7-8/32

Sizes and specifications are subject to change at anytime. *mm* are the customized sizes.



Picture 1



Picture 2

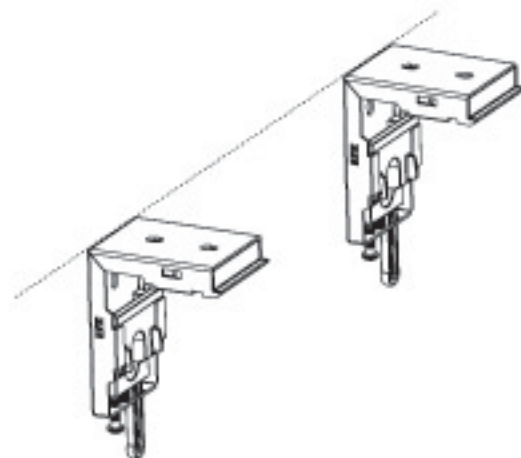
Cyber Motorized Screen Power Specifications

Voltage	Frequency	Watts	Application
240V	50Hz/60Hz	90W/80W	Applies to all Cyber motorized screens

Installation

This projection screen should be installed at the best possible viewing position for the audience. Take out all the parts from the packaging and follow the accessories guideline to ensure you have all parts.

1. The parts needed will vary depending on which installation you choose to use. For installation on a wood wall or ceiling, use the 5 x 60 screws. For installation on a drywall, use the 5 x 40 screws with anchors.
2. Following the instructions below, mount the brackets either on the wall or the ceiling. Make sure the brackets are level. The design of the Cyber Series screens allows the casing to be able to slide after installation (figure 1).

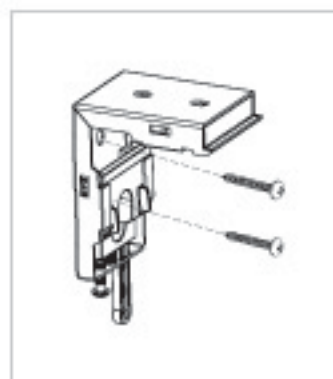


Picture 1

Installation Steps

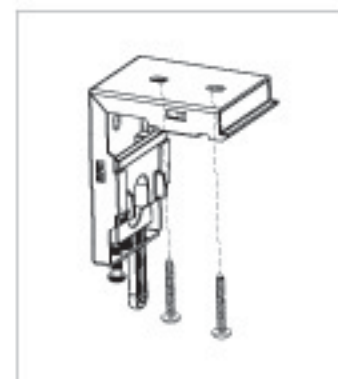
- a) Wood wall and ceiling installation: Drill in the 5 x 60 screws through the appropriate holes in the bracket (figure 2–3).
- b) Drywall and ceiling and installation: Install the anchors and drill in the 5 x 40 screws the appropriate holes in the bracket (figure 4–5).

Wood wall installation



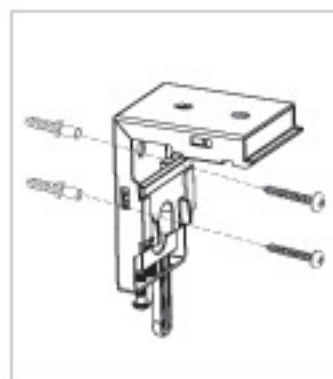
Picture 2

Wood ceiling installation



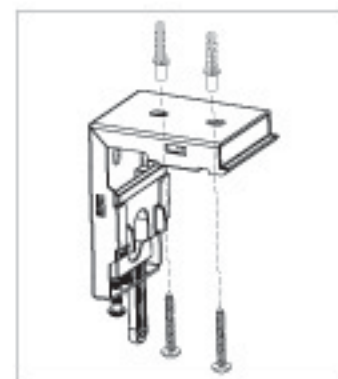
Picture 3

Concrete wall installation



Picture 4

Concrete ceiling installation



Picture 5