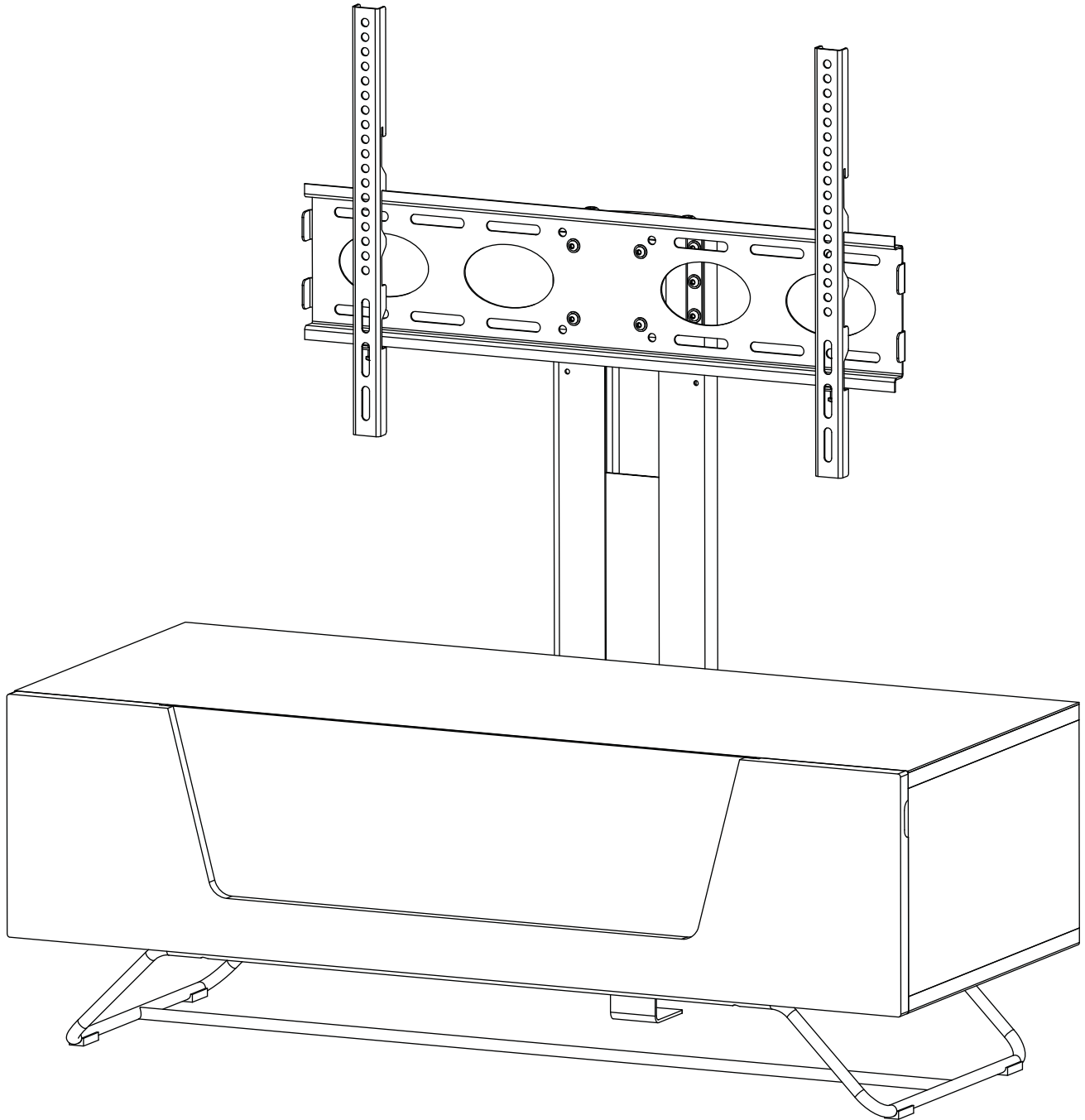


Alpha Range

alphason

Chromium 2 TV bracket - Model: CR02-BKT



Customer services:



0845 130 6686



info@armourhome.co.uk



www.armourhome.co.uk

PLACE LABEL
Q14171-SK
HERE

Alpha Range

alphason

Chromium 2 TV bracket - Model: CR02-BKT

IMPORTANT INFORMATION!

- 1) Before starting assembly please take time to familiarise yourself with the instructions and the components listed in this manual, as this product could be unstable if incorrectly assembled.
- 2) Do not place hot or cold items against or in close proximity to any surface on this product.
- 5) In order to maintain a high quality finish, please clean with a soft, dry cloth.
- 6) Do not sit or stand on this product.
- 7) Do not attempt to move this product whilst loaded with equipment.
- 8) DO NOT OVERTIGHTEN ANY PART OF THIS ASSEMBLY

Please Note: Total maximum load for this product should not exceed 18Kg. This product must be assembled in accordance with these assembly instructions.

Armour Home accepts no liability for any damage caused through incorrect or inappropriate use of this product.



Armour Home Electronics
Units 7 & 8, Stortford Hall Industrial Park,
Dunmow Road, Bishops Stortford,
Hertfordshire, UK, CM23 5GZ



www.armourhome.co.uk



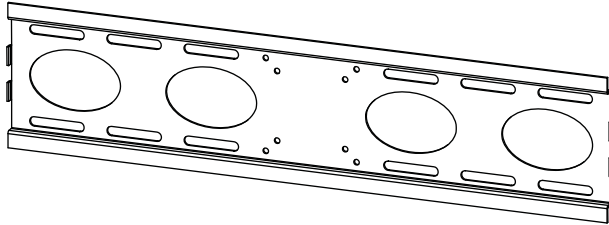
0845 130 6686

Alpha Range

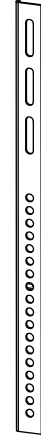
alphason

Chromium 2 TV bracket - Model: CR02-BKT

A x1



B x2



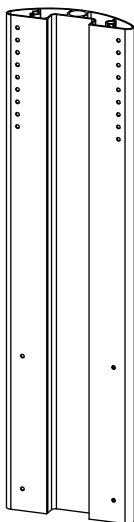
C x1



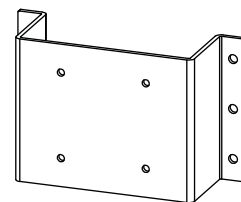
D x1



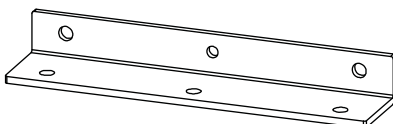
E x1



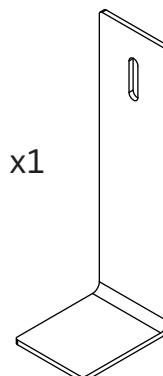
F x1



G x2



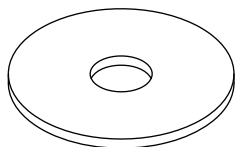
H x1



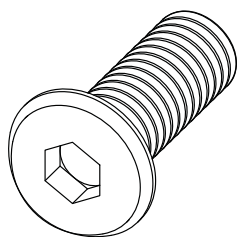
Alpha Range

alphason

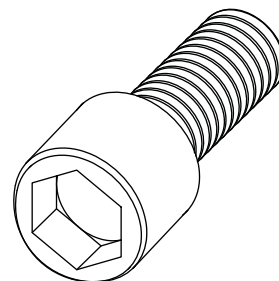
Chromium 2 TV bracket - Model: CR02-BKT



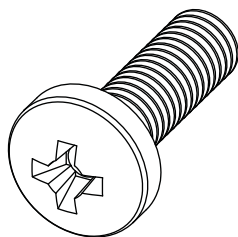
I x22 (14 x 1mm)



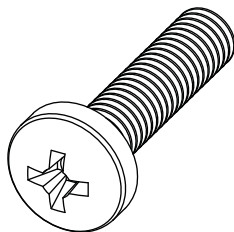
J x22 (M6 x 16mm)



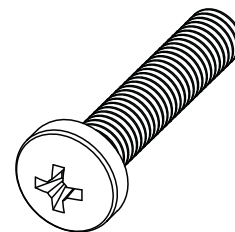
K x2 (M12 x 25mm)



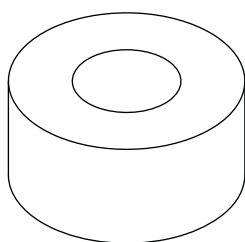
L x4 (M8 x 25mm)



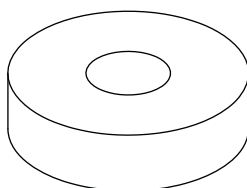
M x4 (M6 x 25mm)



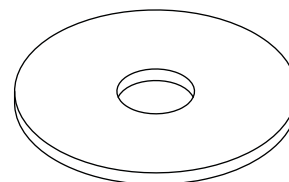
N x6 (M5 x 25mm)



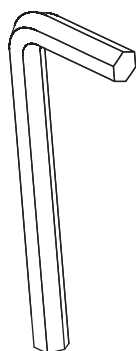
O x4 (18.5 x 9mm)



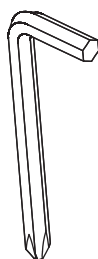
P x4 (18.5 x 5mm)



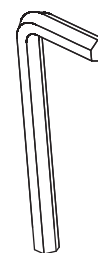
Q x4 (20 x 1mm)



R x1 (M12)



S x1

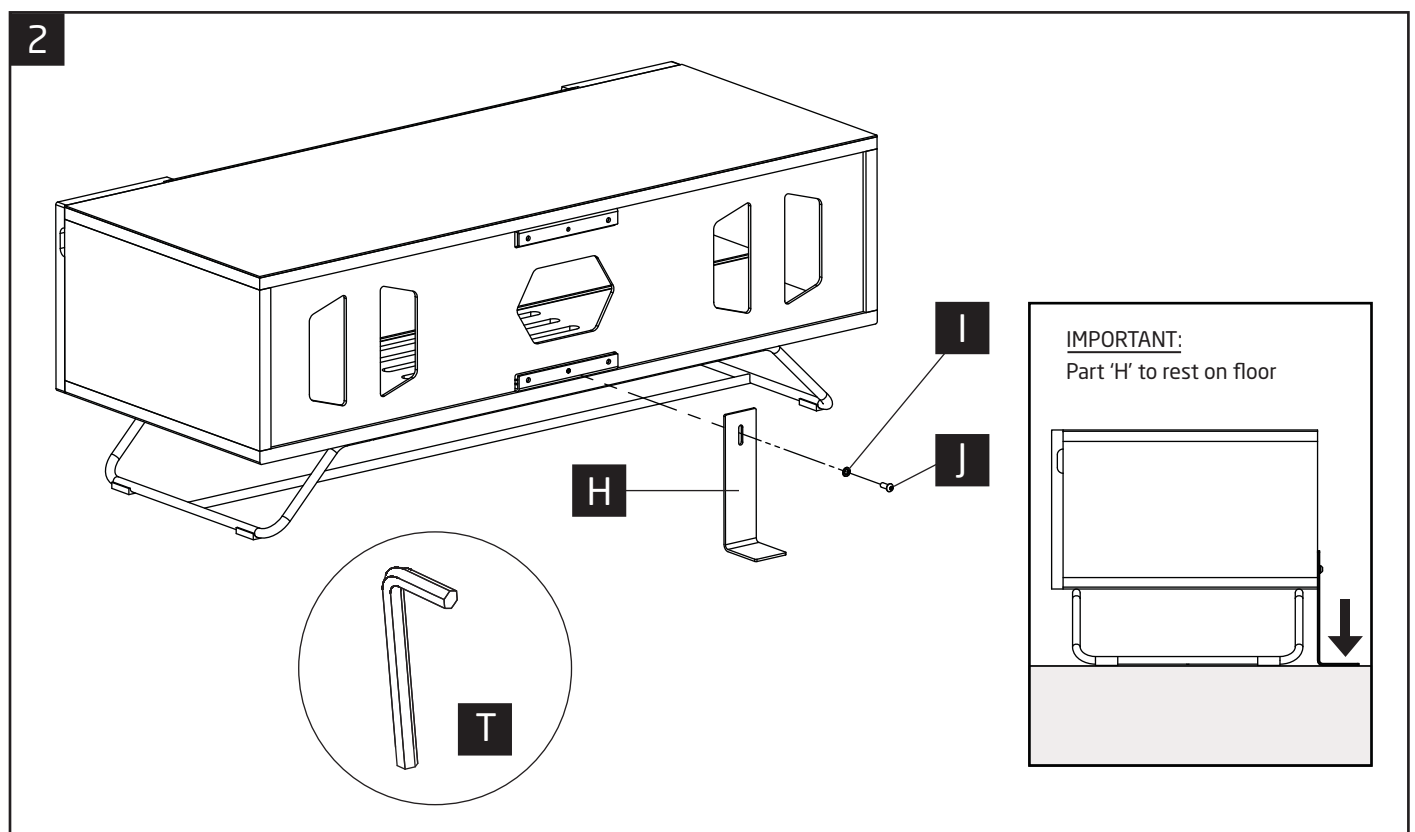
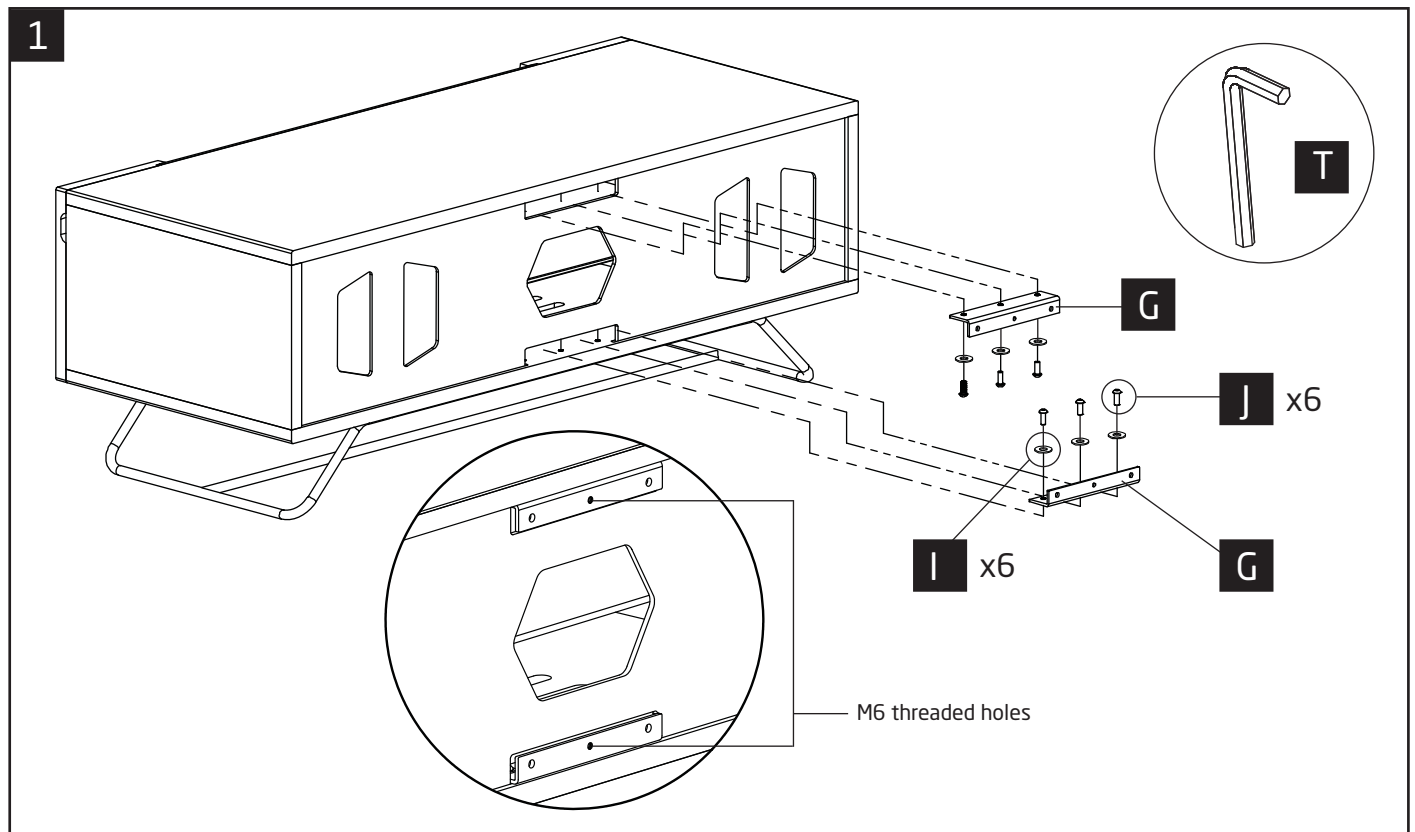


T x1 (M6)

Alpha Range

alphason

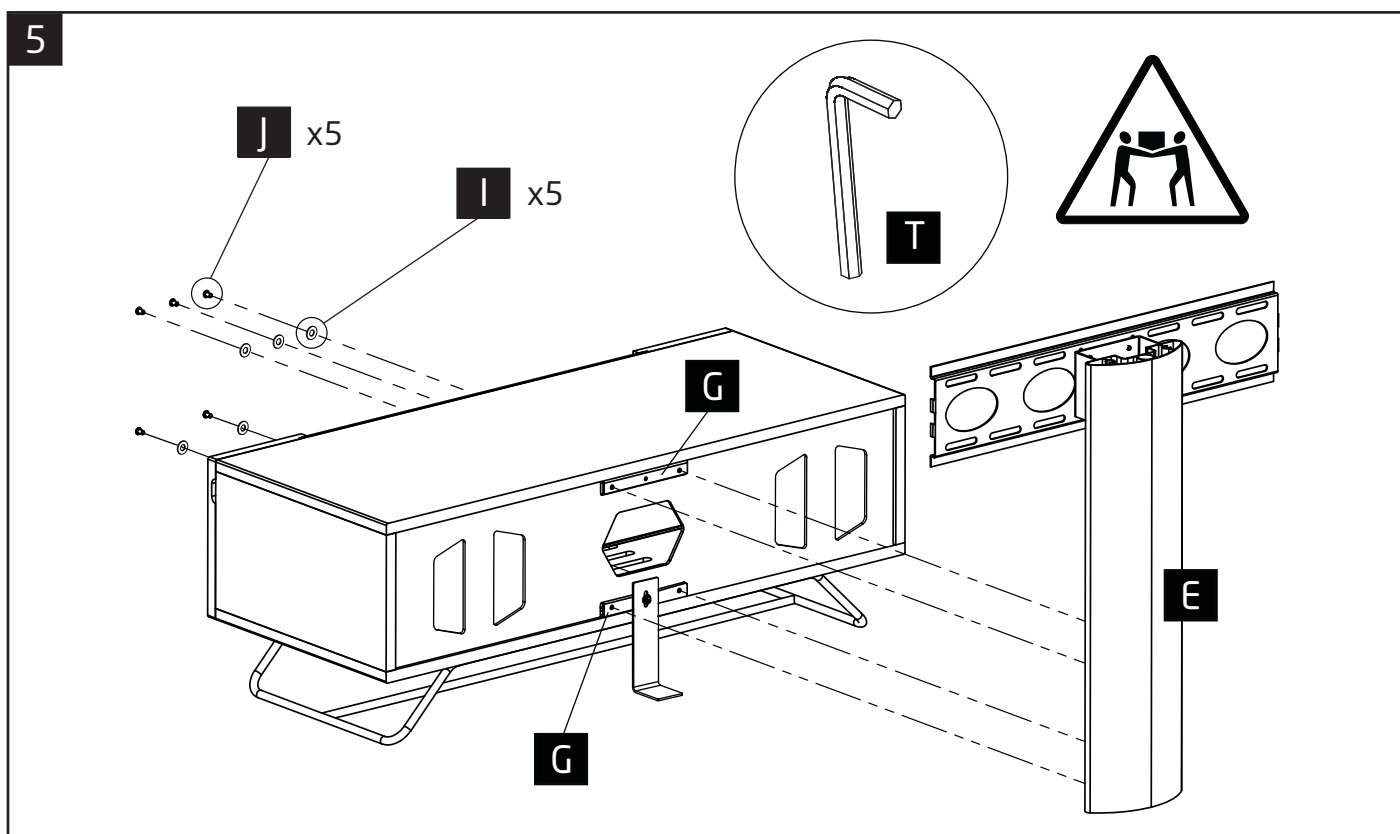
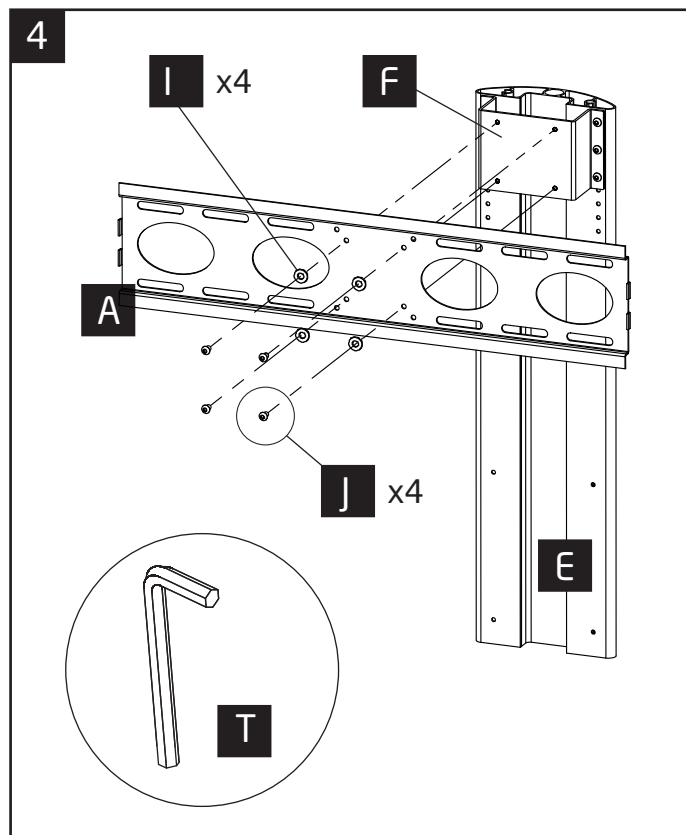
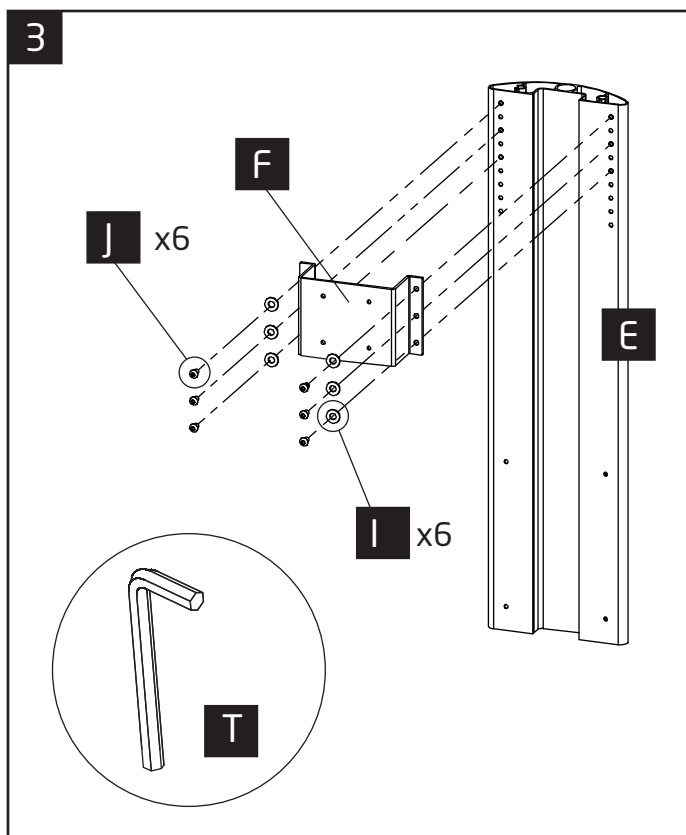
Chromium 2 TV bracket - Model: CR02-BKT



Alpha Range

alphason

Chromium 2 TV bracket - Model: CR02-BKT



Armour Home Electronics
Units 7 & 8, Stortford Hall Industrial Park,
Dunmow Road, Bishops Stortford,
Hertfordshire, UK, CM23 5GZ



www. www.armourhome.co.uk

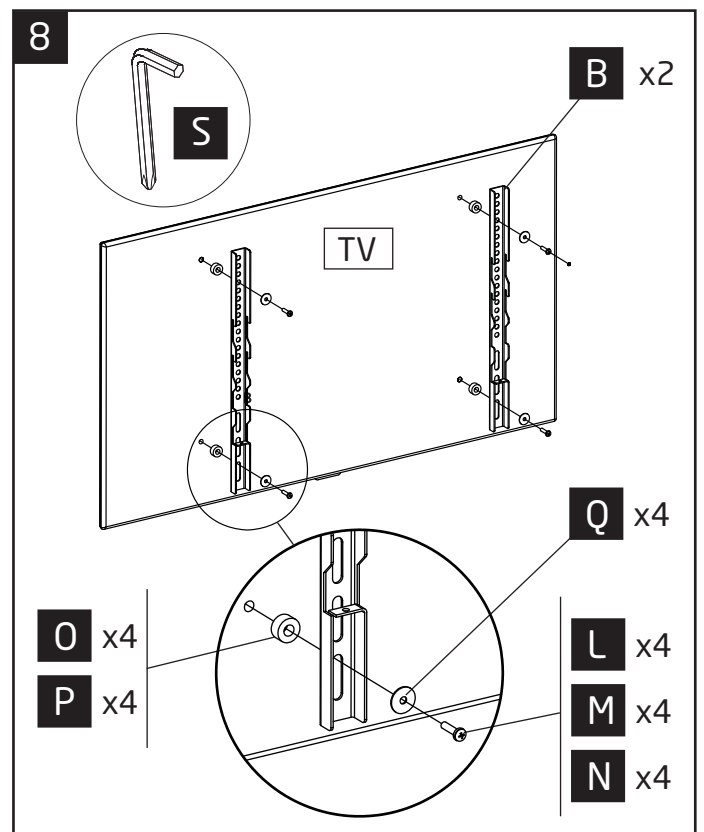
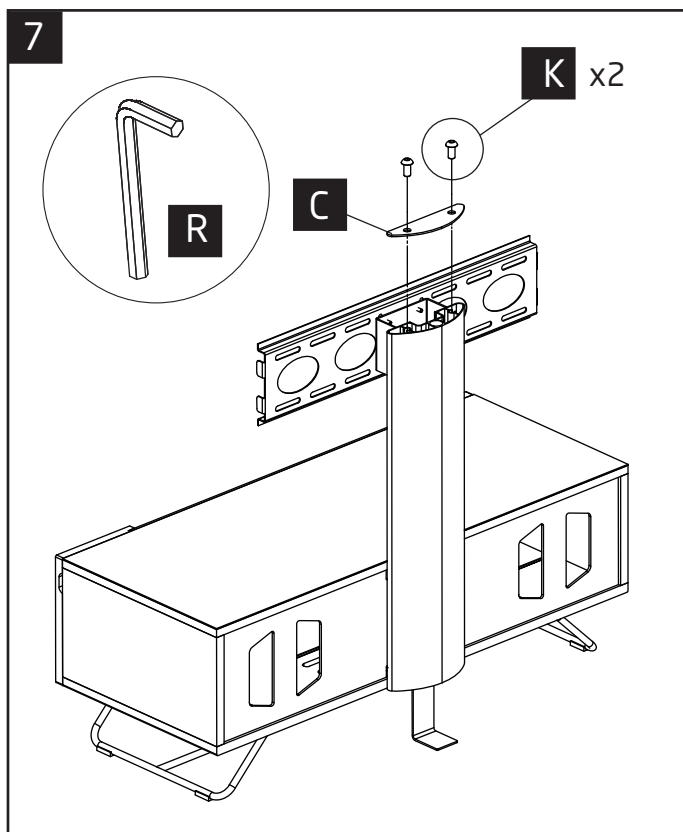
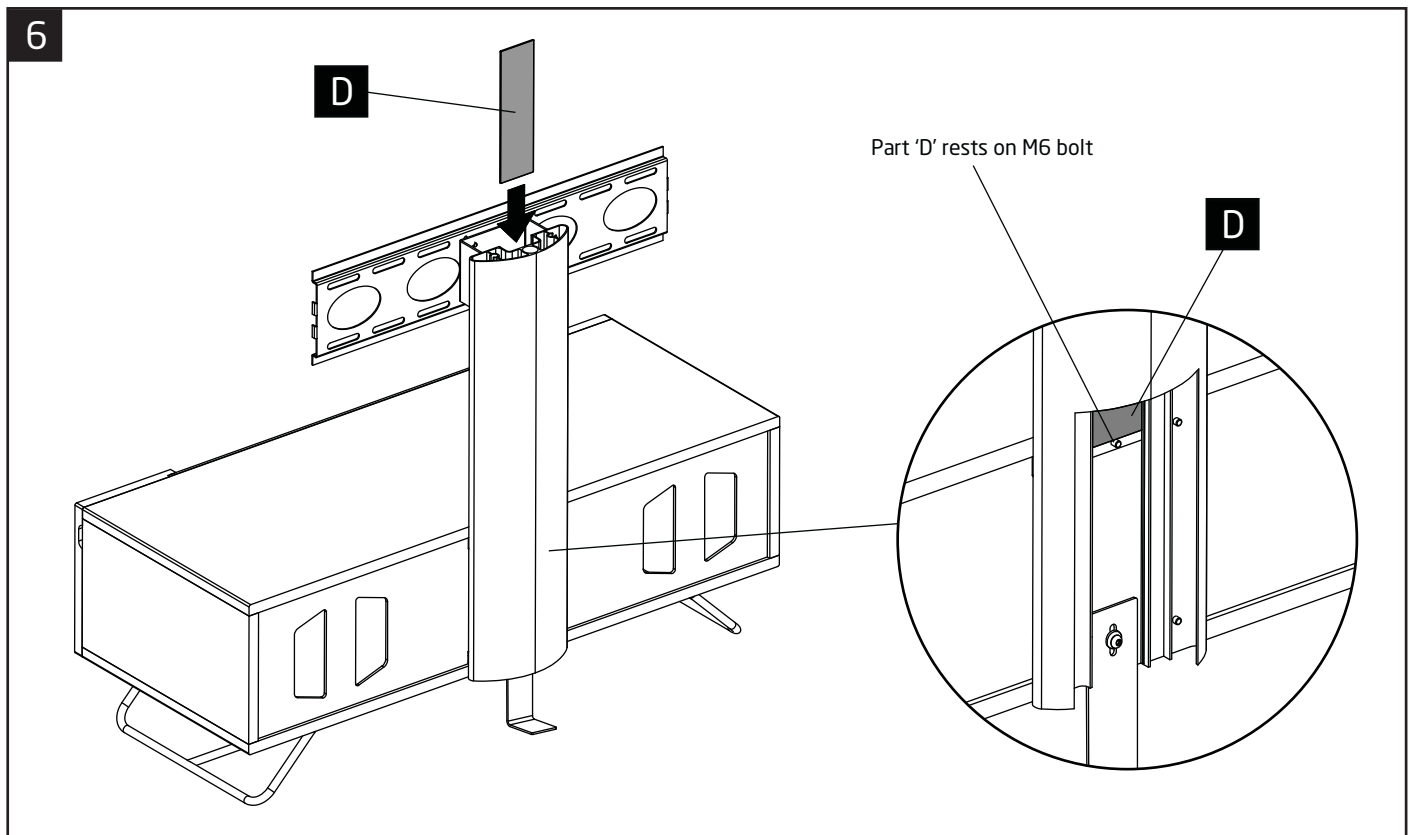


0845 130 6686

Alpha Range

alphason

Chromium 2 TV bracket - Model: CR02-BKT



Armour Home Electronics
Units 7 & 8, Stortford Hall Industrial Park,
Dunmow Road, Bishops Stortford,
Hertfordshire, UK, CM23 5GZ

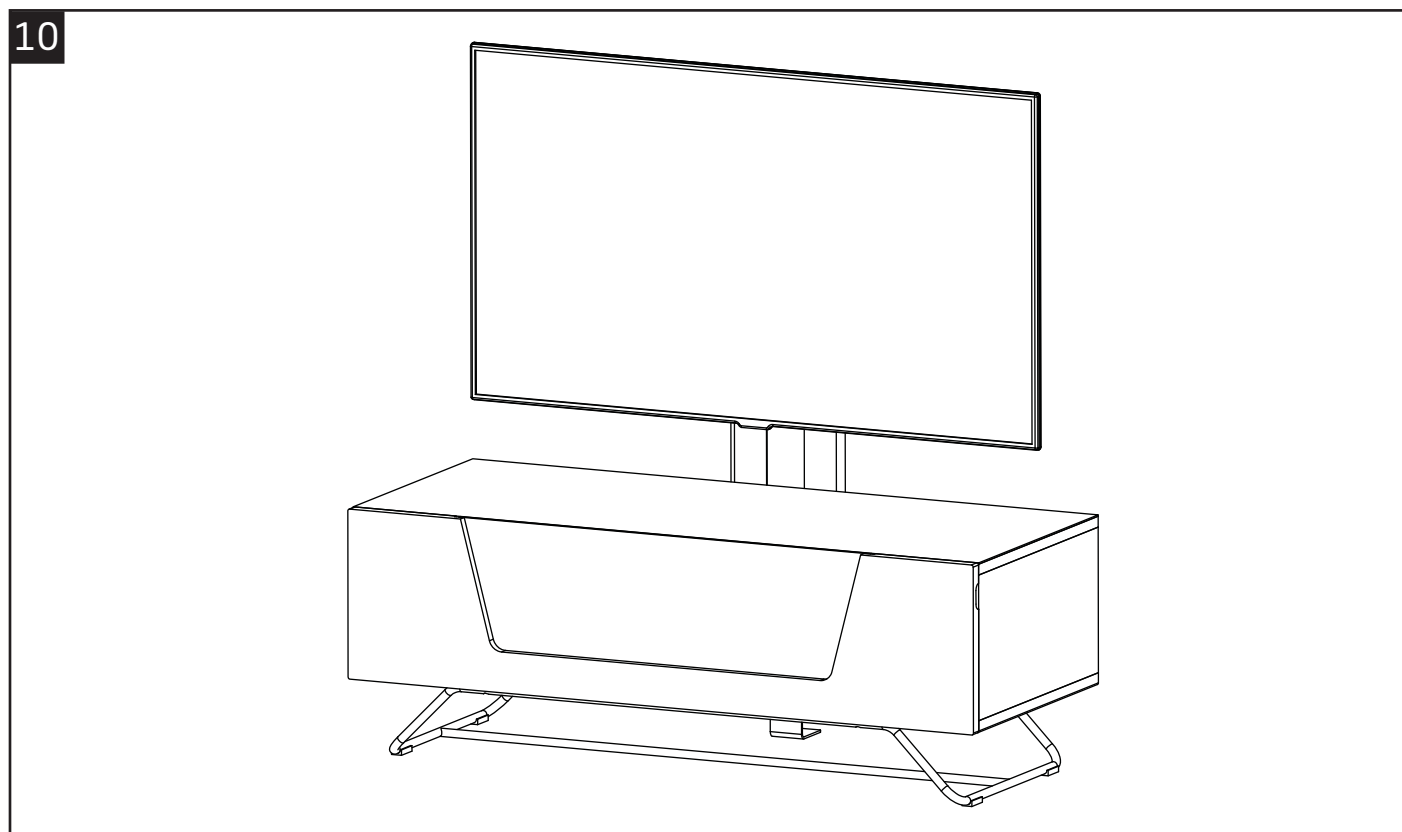
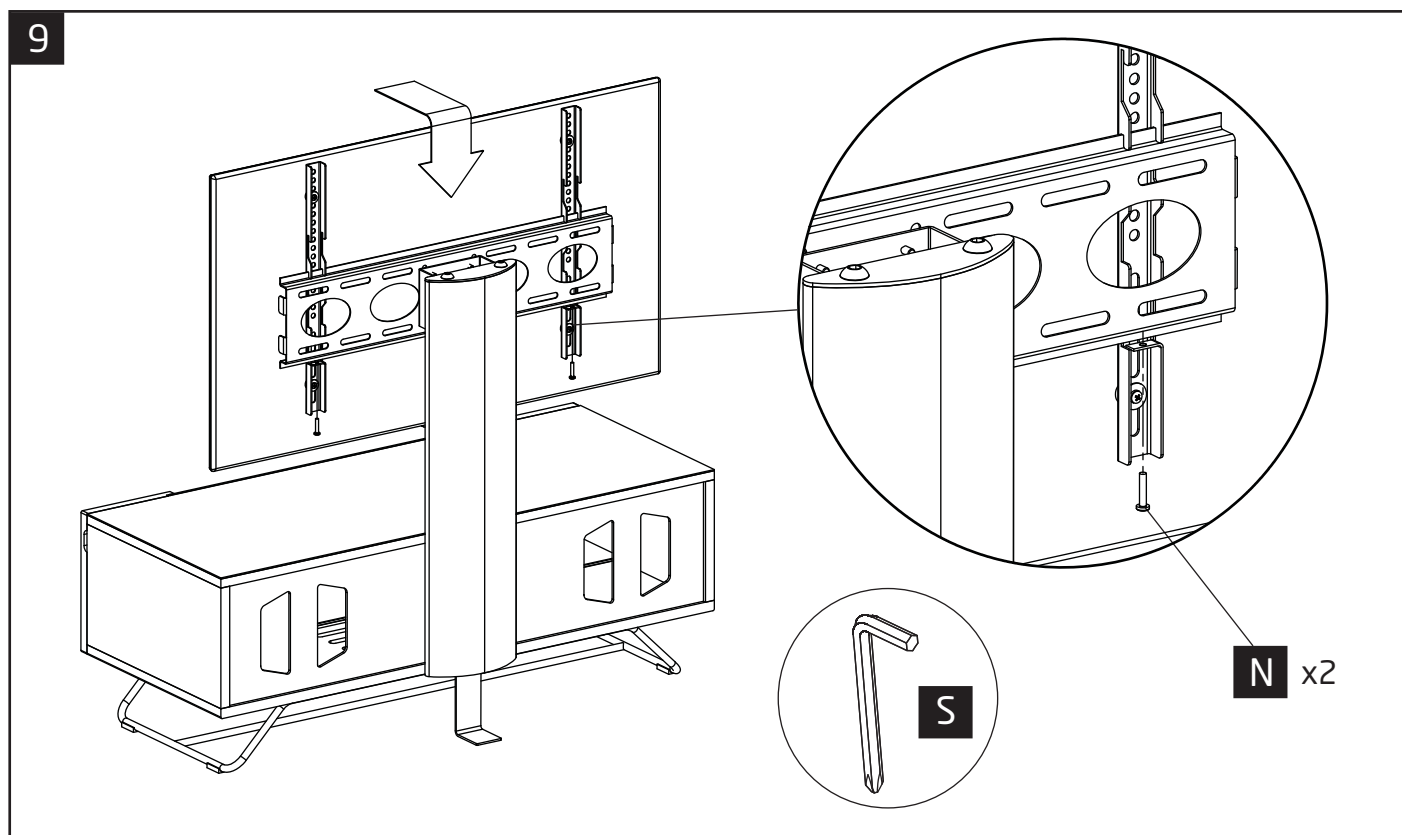
www www.armourhome.co.uk

0845 130 6686

Alpha Range

alphason

Chromium 2 TV bracket - Model: CR02-BKT



Armour Home Electronics
Units 7 & 8, Stortford Hall Industrial Park,
Dunmow Road, Bishops Stortford,
Hertfordshire, UK, CM23 5GZ



www.armourhome.co.uk



0845 130 6686