

Adjusting the screen length limits

We only recommend that experienced AV installers undertake these procedures:

A

Downward Adjustment

"-" = **Anticlockwise** - Turning the A (Red) screw anticlockwise will **REDUCE** the black space above the viewing area.

"+" = **Clockwise** - Turning the A (Red) screw clockwise will **INCREASE** the black space above the viewing area. Turning the red screw two complete revolutions will change the amount of black material by approximately 1 inch.

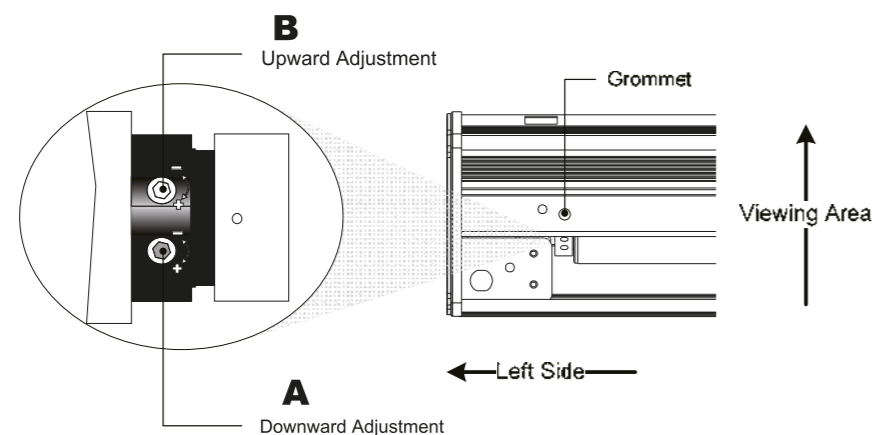
B

Upward Adjustment

"-" = **Anticlockwise** - Turning the B (White) screw anticlockwise will cause the bottom rail to sit **LOWER** when the screen is closed.

"+" = **Clockwise** - Turning the B (White) screw clockwise will cause the bottom rail to sit **HIGHER** when the screen is closed. Turning the white screw two complete revolutions will change the amount of screen left hanging by approximately 1 inch.

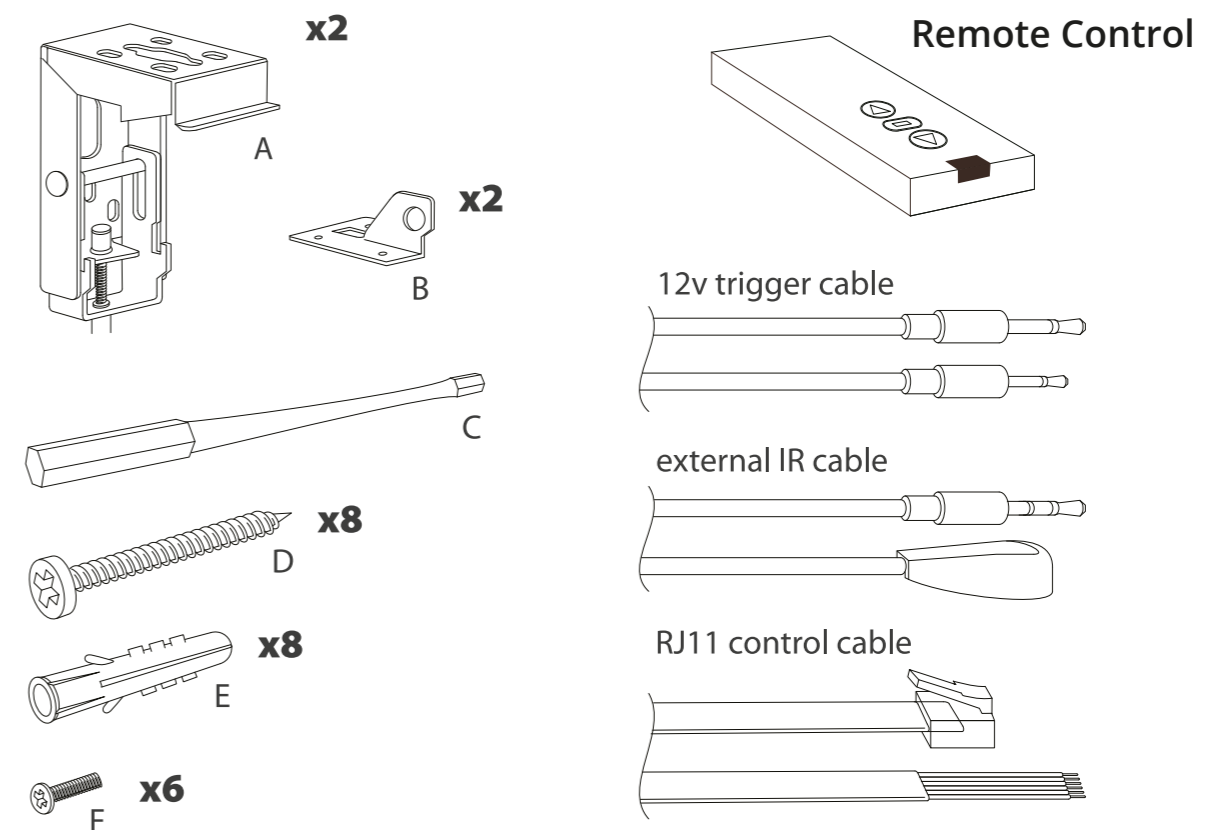
This is a factory setting limit and it is recommended that it is not altered.



Mounting Instructions

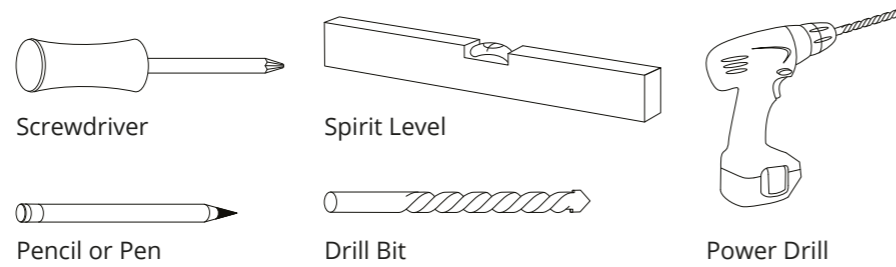
Tab-Tension Motorized Projection Screen

Parts:



After installation please store instructions for future reference

Tools Required



Important Safety Instructions

WARNING: To reduce the risk of fire or electric shock do not expose this apparatus to rain or moisture.

Read and follow all instructions and warnings in this manual. Keep for future reference.

1. Do not use this apparatus near water.
2. Clean only with a dry cloth.
3. Do not block any ventilation openings. Install according to the manufacturers instructions.
4. Do not install near any heat sources such as radiators, heat registers, stoves or other apparatus (including amplifiers) that produce heat.
5. Do not override the safety procedure of the polarized or grounding-type plug. A polarized plug has two blades; one wider than the other. A grounding-type plug has two blades and a third grounding prong. The wide blade or the third prong is provided for your safety. If the provided plug does not fit into your outlet, consult an electrician for a replacement outlet.
6. Protect the power chord from being walked on or pinched particularly at the plug and the point where it exits from the apparatus.
7. Only use attachments/accessories specified by the manufacturer.
8. Unplug this apparatus during lightning storms or when unused for long periods of time.
9. Refer all servicing to qualified service personnel. Servicing is required when the apparatus has been damaged in any way, such as when the power-supply cord or plug is damaged, liquid has been spilled or objects have fallen into the apparatus, the apparatus has been exposed to rain or moisture, does not operate normally, or has been dropped.
10. Do not expose this equipment to dripping or splashing, ensure that no objects filled with liquids, such as vases, are placed on the equipment.
11. To completely disconnect this equipment from the AC mains, disconnect the power supply cord plug from the AC receptacle.
12. To avoid overheating the motor, do not continually retract and lower the screen for over 3 minutes or more than 6 times. If the motor overheats, a thermal cut out will automatically cut the motors power. The motor will then require a cool down time of approximately 3 minutes until the screen will work again. This is for safety reasons that prevent further overheating of the motor.

Troubleshooting

This screen is designed to function, trouble-free for years of enjoyment. If these issues occur, please check the list of simple fixes below. If the problem persists, contact your authorized dealer or customer service department.

<p>Screen does not react to any control</p>	<ul style="list-style-type: none"> • Power cable to the film screen is incorrectly connected or plugged into an outlet that does not have any power supply. • Check connections and verify power is going to the socket. • Check control method selected and try an alternative method.
<p>Screen goes lower than desired or does not retract far enough</p>	<ul style="list-style-type: none"> • Adjust the up and down limits as described.
<p>Remote control does not work</p>	<ul style="list-style-type: none"> • Check the batteries in the remote control. • Ensure that you are within range of the screen when using the remote control. • If you have chosen to "hard-wire" the IR connection with an IR remote control into a RJ-11 connector, please ensure that you have connected the appropriate wires to the correct pins as described in the RS232 control section.

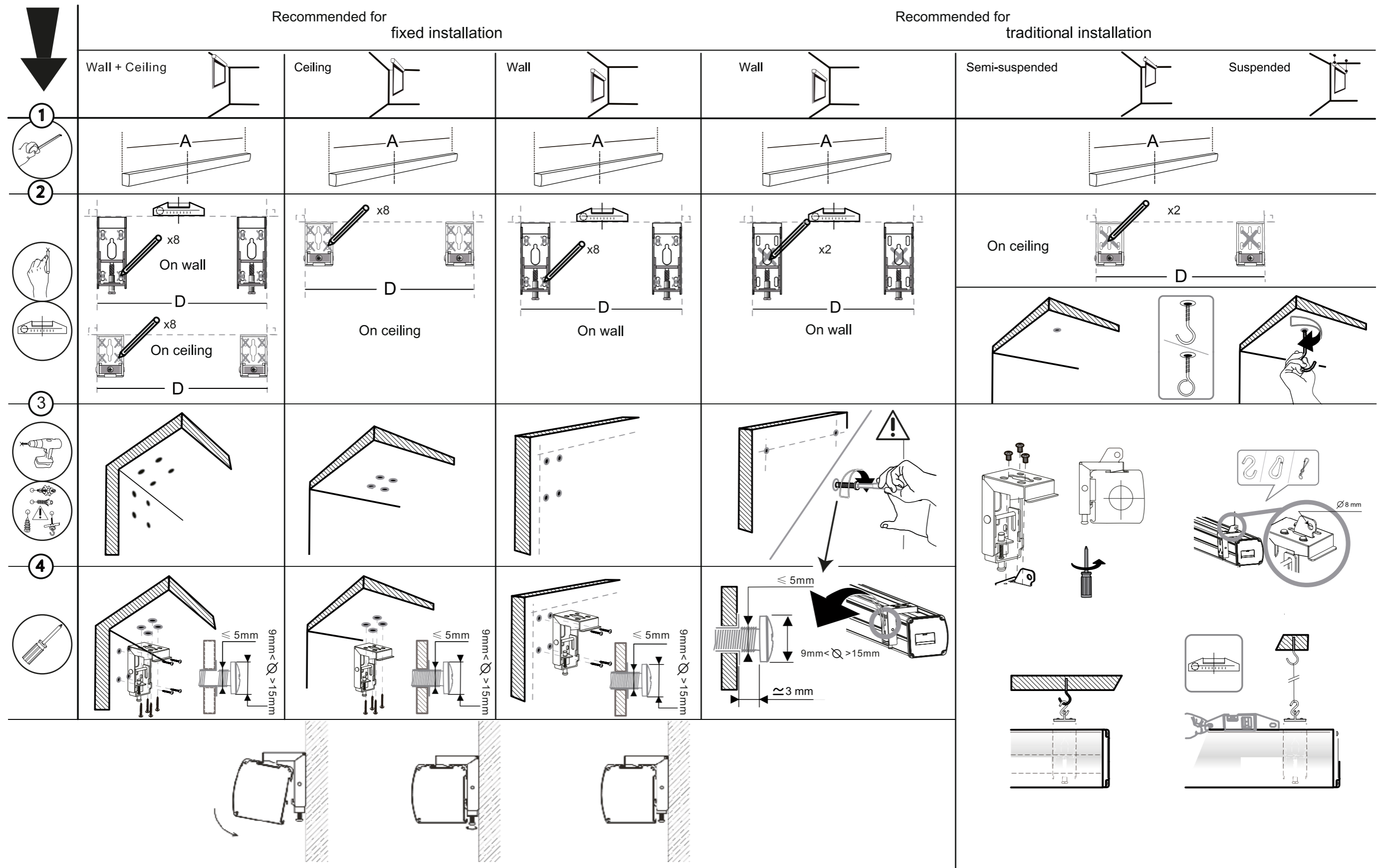
Cleaning and Maintenance

Do not clean the screen case with water. Use a dry cloth and keep the unit free of dust and dirt. We advise you to clean the unit on a regular basis.

To clean the screen material, use warm soapy water only. Never use chemicals or abrasives as this will damage the surface of the material which in turn will affect the viewing quality of your screen.



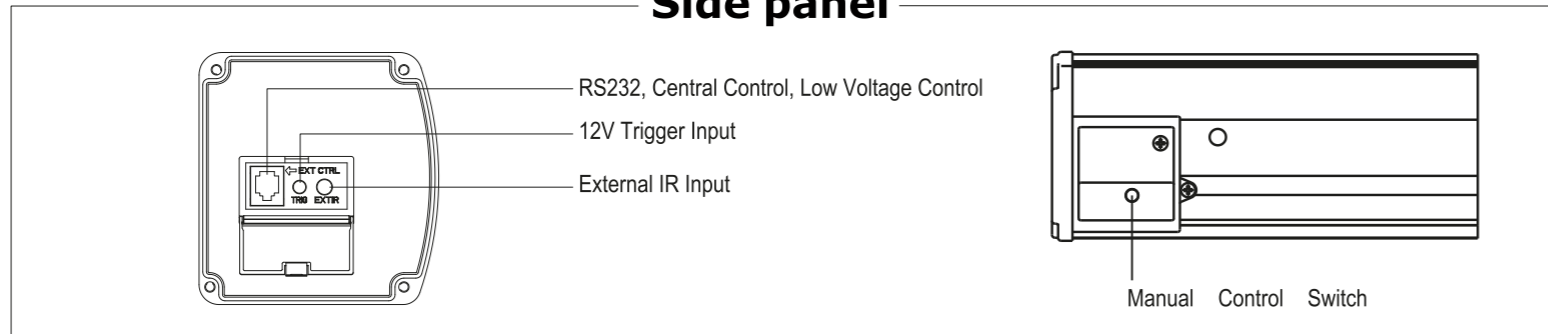
The safe installation of this item is dependent on the suitability of the surface to which it is mounted. Please ensure suitable fixings are used, which vary depending on the surface. If in doubt please seek advice prior to starting. Serious injury or damage may result from improper installation.



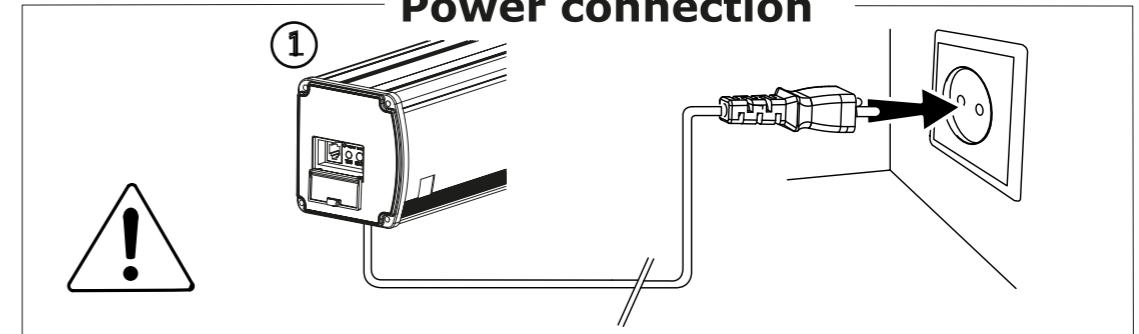


Please make sure connections are compatible and safe.

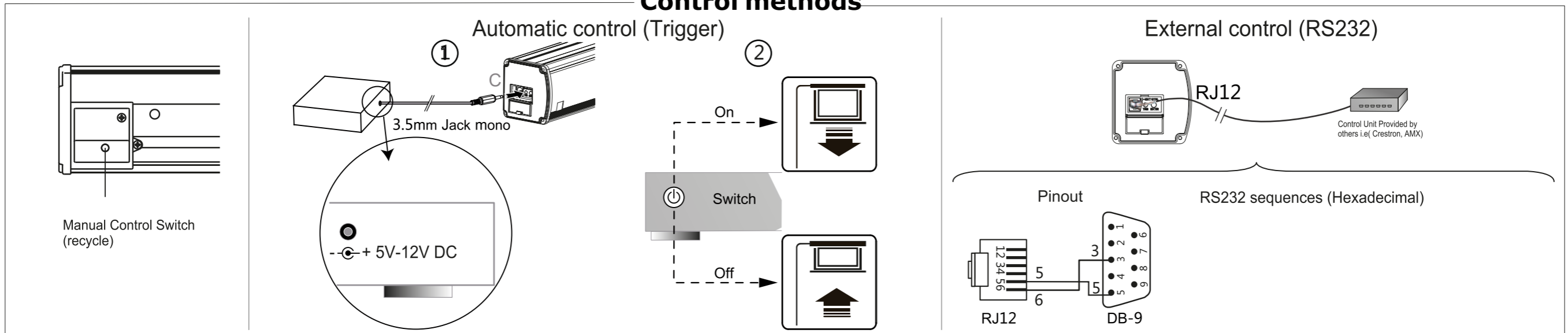
Side panel



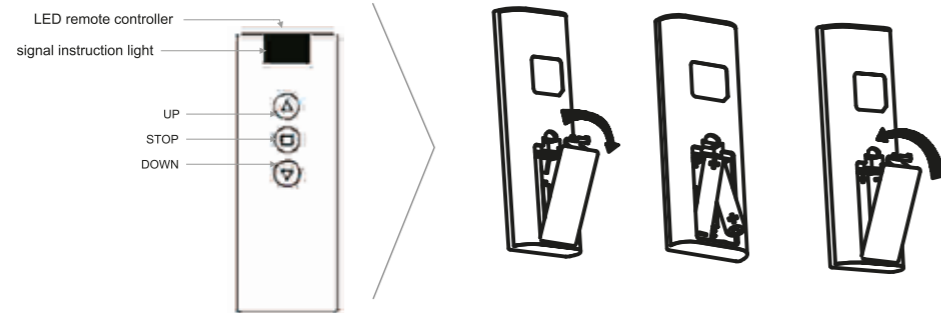
Power connection



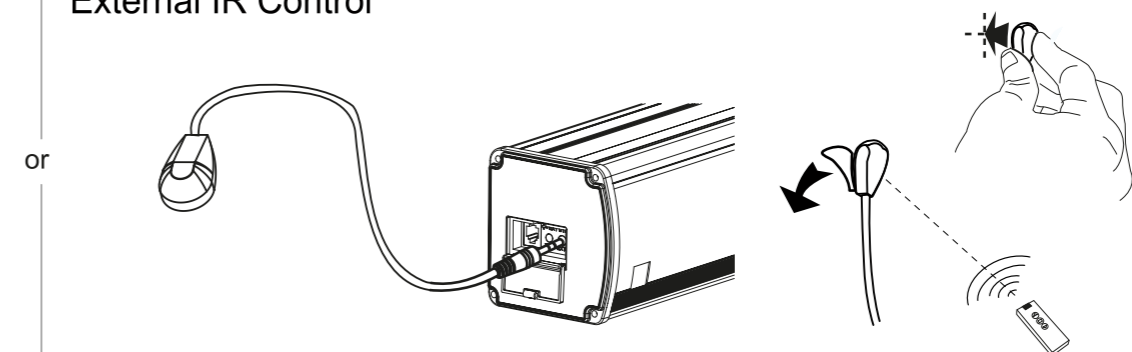
Control methods



Remote Control



External IR Control



Caution

- The remote control will work up to 8 meters from the screen.
- The remote control may be affected by high temperatures and humidity.
- Change the battery when the signal is low.
- Remove the batteries from the remote control if it will not be used for long periods of time.
- When replacing the batteries, please use the same type as originally supplied.
- Please unplug the unit from the mains when not in use for long periods of time.

String tension adjustment

