



SENNHEISER



HD 800 S

High-definition
open-back headphones

DE Bedienungsanleitung
EN Instruction manual
JA 取扱説明書
FR Notice d'emploi
ES Instrucciones de manejo
PT Manual de instruções
NL Gebruiksaanwijzing
IT Istruzioni per l'uso
DA Betjeningsvejledning
SV Bruksanvisning

FI Käyttöohje
EL Οδηγίες λειτουργίας
PL Instrukcja obsługi
TR Kullanma kılavuzu
RU Инструкция по эксплуатации
ZH 使用说明书
TW 使用說明書
KO 사용 설명서
ID Buku petunjuk
EE Kasutusjuhend

LV Lietošanas instrukcija
LT Naudojimo instrukcija
CS Návod k obsluze
SK Návod na obsluhu
HU Használati útmutató
RO Instrucțiuni de utilizare
BG Ръководство за експлоатация
SL Navodila za uporabo
HR Upute za upotrebu

Sennheiser HD 800 S

The evolution of the legendary classic

With the development of the open dynamic HD 800 S headphones, the engineers at Sennheiser have achieved the impossible: they have further enhanced the exceptionally natural sound reproduction of the standard setting HD 800 reference headphones.

The striking industrial design combines form and function seamlessly, the layered metal and plastic headband construction attenuating vibrations to the ear cups while the handmade microfiber ear pads offer exceptional comfort for even long periods of listening enjoyment.

The HD 800 S is precision-built in Germany from only the finest materials and components. The transducers are encased by stainless steel, while the headband and headphone mounting utilizes the most advanced materials developed in the aerospace industry for high strength with minimal weight.

The headphones offer state-of-the-art connectivity and come with highest quality silver-plated and oxygen-free cables – with gold-plated, balanced 4.4 mm and with unbalanced 6.35 mm jack plugs. Thus, the HD 800 S is optimally equipped for use with headphone amplifiers, such as the Sennheiser HDV 820, to ensure even better sound quality.

Absorber technology

The enhanced sound reproduction of the HD 800 S is achieved through the addition of the innovative absorber technology that was pioneered in the Sennheiser IE 800 ear-canal headphones – a breakthrough that preserved the audibility of very high frequency sounds by eliminating a phenomenon known as the “masking effect”, where the human ear struggles to hear frequencies of sound when lower frequencies of a higher volume occur at the same time.

By absorbing the energy of the resonance, Sennheiser’s patented absorber technology prevents any unwanted peaks and allows all frequency components – even the finest nuances – in the music material to become audible.



The open, circum-aural design guarantees a crystal clear and spatial listening experience.



The consistently balanced construction ensures reliable signal transmission to the transducers.



The patented absorber technology ensures that even high-frequency sounds are audible at all times.

Features of the HD 800 S

- Open, dynamic reference headphones
- Circum-aural, wired
- Natural listening experience – realistic and natural sound field with minimal resonance
- 56 mm ring radiator transducers – unique, innovative dynamic transducer design
- Uncovered ear cups for outstanding acoustics
- Absorber technology allows for the reproduction of the finest nuances
- Finest materials and timeless matt black design combine to meet the highest demands
- Specially tuned symmetrical, impedance matching cable with low capacitance
- Special high-precision ODU connectors
- Handcrafted ear pads, made of high-quality microfiber fabric
- Metal headband with inner damping element
- Engineered and handcrafted in Germany
- 2-year warranty



56-mm sound transducers – the largest ever used in dynamic headphones.



High-precision ODU connectors ensure stable signal transmission and flexible connectivity.



Materials developed in the aerospace industry offer minimal weight and maximum stability.



Important safety information

- ▷ Read this instruction manual carefully and completely before using the product.
- ▷ Always include these safety instructions when passing the product on to third parties.
- ▷ Do not use an obviously defective product.



Preventing damage to health and accidents

- ▷ Protect your hearing from high volume levels. Permanent hearing damage may occur when headphones are used at high volume levels for long periods of time. Sennheiser headphones sound exceptionally good at low and medium volume levels.
- ▷ The product generates stronger permanent magnetic fields that could cause interference with cardiac pacemakers, implanted defibrillators (ICDs) and other implants. Always maintain a distance of at least 3.94"/10 cm between the product component containing the magnet and the cardiac pacemaker, implanted defibrillator, or other implant.
- ▷ Keep the product, accessories and packaging parts out of reach of children and pets to prevent accidents and choking hazards.
- ▷ Do not use the product in an environment that requires your special attention (e.g. in traffic or when performing skilled jobs).



Preventing damage to the product and malfunctions

- ▷ Always keep the product dry and do not expose it to extreme temperatures (hairdryer, heater, extended exposure to sunlight, etc.) to avoid corrosion or deformation.
- ▷ Do not place your headphones on a glass dummy head, chair armrest or similar objects for long periods as this can widen the headband and reduce the contact pressure of the headphones.
- ▷ Use only attachments/accessories/spare parts supplied or recommended by Sennheiser.
- ▷ Clean the product only with a soft, dry cloth.
- ▷ Use the product with care and store it in a clean, dust-free environment.

Notes on the use and disposal of storage media

You can use the supplied USB flash drive for storing data, including personal data. If the flash drive is sold/passed on or disposed of, the data once stored on it and then deleted using a standard delete method can be recovered with special software and be misused.

We therefore recommend using special software for secure deletion of data to ensure that personal data is not misused. Please note that you yourself are responsible for the secure deletion of the data on your flash drive.

We recommend backing up the data saved on your flash drive regularly. Sennheiser does not accept liability for damage or loss of data.

Intended use/Liability

These open dynamic headphones have been designed for home use with high-quality audio systems.

It is considered improper use when the product is used for any application not named in the corresponding product documentation.

Sennheiser is not liable for damages to USB devices that are not consistent with the USB specifications.

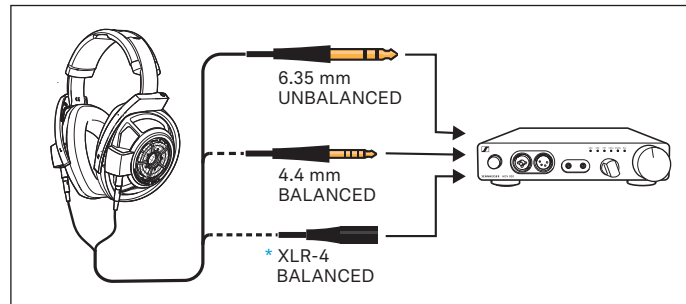
Sennheiser does not accept liability for damage arising from improper use or misuse of this product and its attachments/accessories.

Before putting the product into operation, please observe the respective country-specific regulations.

Package contents

- HD 800 S open dynamic headphones
- Connection cable with 1/4" (6.35 mm) stereo jack plug (connected ex works), unbalanced
- Connection cable with 4.4 mm stereo jack plug, balanced
- USB flash drive (SD-U16L version) with instruction manual (as PDF file) and individually measured diffuse-field frequency response curve
- Instruction manual
- Storage box
- Microfiber cloth

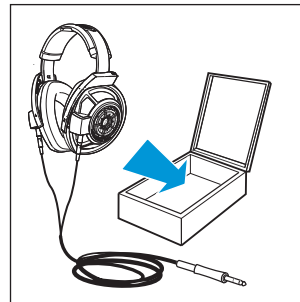
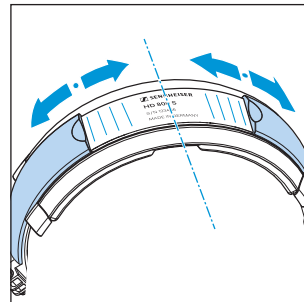
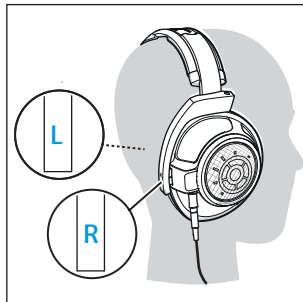
Your HD 800 S



Connecting the headphones

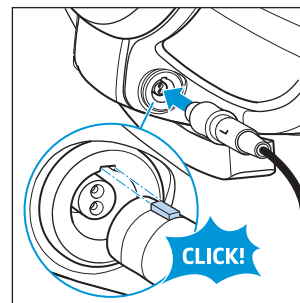
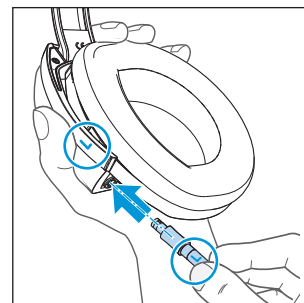
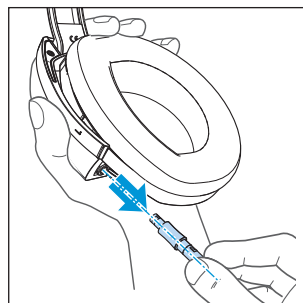
- ▷ Select the suitable connection cable for the audio source to which you want to connect the headphones and change the connection cable as described below:
 - 1/4" (6.35 mm) stereo jack plug, unbalanced (can also be connected to a 3.5 mm stereo jack socket by using a standard adapter)
 - 4.4 mm stereo jack plug, balanced
 - * XLR-4 connector, balanced (Sennheiser CH 800 S, optional accessory)
- ▷ Connect the headphones to your audio source.

For optimum music enjoyment, we recommend using a headphone amplifier such as the Sennheiser HDV 820 and a balanced connection cable such as the one equipped with the 4.4 mm stereo jack plug.



Putting on the headphones and using them

- ▷ Put on your headphones and then pull the ear cups down until they rest comfortably over the ears. Make sure you wear them the right way round by observing the "R" (right) and "L" (left) markings on the ear cup bands.
- ▷ Take the headphones off and use the slide scale on the headband to ensure they sit symmetrically.
- ▷ After use, place the headphones into the storage box. Hang the cable up unwound for the first few days after use. After that, you can store the cable wound up loosely.



Changing the connection cable

To detach the connection cable:

- ▷ Hold the ear cup firmly and pull the connector straight out of the socket by overcoming a slight resistance. Make sure to not damage the metal gauze of the ear cups.

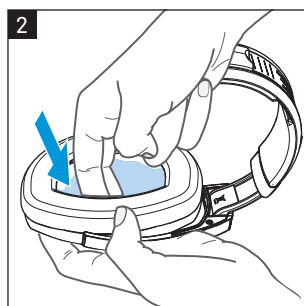
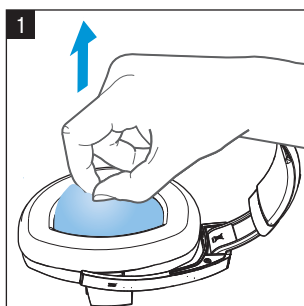
To attach the connection cable:

- ▷ Make sure the "R" (right) and "L" (left) markings on the connectors match the markings on the ear cups.
- ▷ Align the latch of the connector with the socket and insert the connector until it snaps into place with an audible click.

Care and maintenance

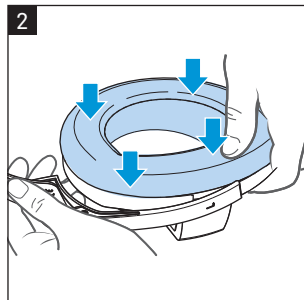
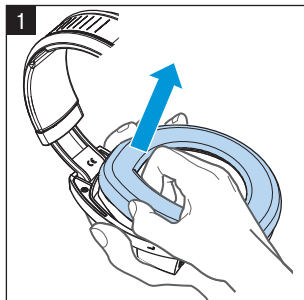
For reasons of hygiene, you should replace the ear pads, the inside dust covers and the headband from time to time. Spare parts are available from your Sennheiser partner. To find a Sennheiser partner in your country, search at www.sennheiser.com.

- ▷ Clean the product only with a dry and soft microfiber cloth (supplied).
- ▷ Store the product in a clean, dust-free place, e.g. in its storage box.



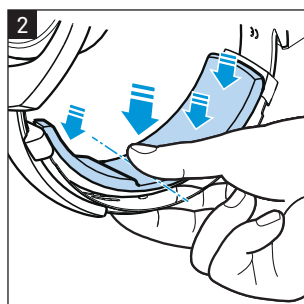
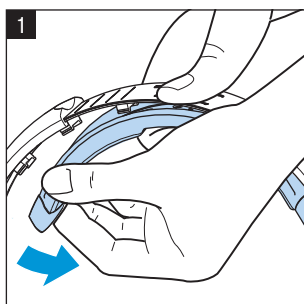
Cleaning and replacing the dust covers made from 3D Mesh

1. Pull the dust covers away from the ear cups without, if possible, touching the transducers underneath.
Rinse the dust covers under running lukewarm water and let them air dry.
2. Put the dust covers back in place and carefully tuck the edges underneath the ear pads.



Replacing the ear pads

1. Grasp behind the ear pads and pull them up and away from the ear cups. Make sure to not damage the metal gauze and the transducers on the inside of the ear cups.
2. Place the new ear pads onto the ear cups and attach the ear pads by pressing firmly around them.

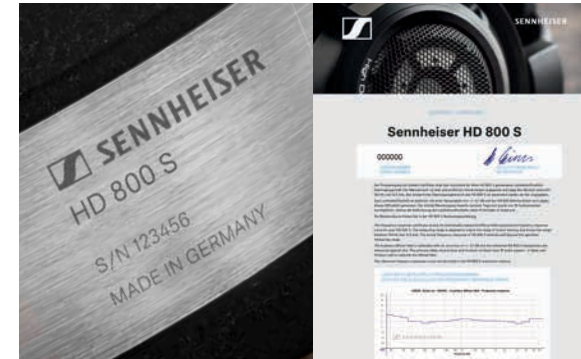


Replacing the headband padding

1. Hold the headband firmly in the middle and detach the headband padding from one side to the other.
2. Place the new headband padding onto the headband and attach it to the headband's latches, starting from the middle and moving outwards.

Specifications

Frequency response	10 – 44,100 Hz (-3 dB) 4 – 51,000 Hz (-10 dB)
Transducer principle	dynamic, open
Ear coupling	circum-aural
Frequency characteristic	diffuse-field equalized
Nominal impedance	300 Ω
Sound pressure level at 1 kHz	102 dB (1 V _{rms})
Long-term input power	max. 500 mW as per EN 60-268-7
THD	≤ 0.02% (1 kHz, 1 V _{rms})
Contact pressure	approx. 3.4 N ± 0.3 N
Weight	approx. 330 g (without connection cable)
Maximum value of the static magnetic field at the surface	10.5 mT
Connector (depending on connection cable, see pin assignment on inside cover page), gold-plated	stereo jack plug: 1/4" (6.35 mm), unbalanced, 3-pin 4.4 mm, balanced, 5-pin
Connection cable	silver-plated, oxygen-free copper cable (OFC), balanced, shielded, para-aramid reinforced, 3 m
Temperature range	operation: -10 to +55°C storage: -20 to +70°C
Relative humidity (non condensing)	operation: 10 to 80% storage: 10 to 90%



Reference diffuse-field frequency response curve

The individually measured diffuse-field frequency response curve for your HD 800 S headphones can be found on the supplied USB flash drive. The reference diffuse-field frequency response curve can be found on the inside cover page.

What is the diffuse-field frequency response curve? In an anechoic chamber, 8 highly linear loudspeakers emit noise signals independently of each other. In the central area of the chamber, the various sound data meet and are superimposed on each other to form a diffuse field, in which it is no longer possible to determine from which direction the sound is coming.

This noise is then varied in distances of a third and reproduced alternately over the speakers and the headphones to be measured. A large number of test persons then evaluate the difference in volume between the room noise and the noise in the headphones.

The ideal state is when the volume impression between the diffuse field and the headphones is the same. Diffuse-field equalized headphones provide a clearly more spatial impression and make it easier to determine whether sounds are coming from the front or rear. Put simply, the sound events take place outside the head and are not confined to the space between the ears.

Manufacturer declarations

Warranty

Sennheiser electronic GmbH & Co. KG gives a warranty of 24 months on this product.

For the current warranty conditions, please visit our website at www.sennheiser.com or contact your Sennheiser partner.

FOR AUSTRALIA ONLY

Sennheiser goods come with guarantees that cannot be excluded under the Australian Consumer Law. You are entitled to a replacement or refund for a major failure and compensation for any other reasonably foreseeable loss or damage. You are also entitled to have the goods repaired or replaced if the goods fail to be of acceptable quality and the failure does not amount to a major failure.

This warranty is in addition to other rights or remedies under law. Nothing in this warranty excludes, limits, or modifies any liability of Sennheiser which is imposed by law, or limits or modifies any remedy available to the consumer which is granted by law.

To make a claim under this warranty, contact: Sennheiser Technical Services and Spare Parts Sales, c/o Linfox, Gate 3, 1 Fox Lane, Erskine Park, 2759, NSW Australia, phone: +61 2 9910 6700
email: au-service@sennheiser.com

All expenses of claiming the warranty will be borne by the person making the claim.

The Sennheiser International Warranty is provided by Sennheiser Australia Pty Ltd (ABN 68 165 388 312), The Zenith, Tower A, L14, 821 Pacific Highway Chatswood NSW 2067, Australia.

In compliance with the following requirements

EU declaration of conformity

- RoHS Directive (2011/65/EU)
- EMC Directive (2014/30/EU)



The declaration is available at www.sennheiser.com/download.

Notes on disposal

- WEEE Directive (2012/19/EU)



The symbol of the crossed-out wheeled bin on the product, the battery/rechargeable battery (if applicable) and/or the packaging indicates that these products must not be disposed of with normal household waste, but must be disposed of separately at the end of their operational lifetime. For packaging disposal, please observe the legal regulations on waste segregation applicable in your country.

Further information on the recycling of these products can be obtained from your municipal administration, from the municipal collection points, or from your Sennheiser partner.

The separate collection of waste electrical and electronic equipment, batteries/rechargeable batteries (if applicable) and packagings is used to promote the reuse and recycling and to prevent negative effects caused by e.g. potentially hazardous substances contained in these products. Herewith you make an important contribution to the protection of the environment and public health.

Trademarks

Sennheiser is a registered trademark of Sennheiser electronic GmbH & Co. KG.

Other product and company names mentioned in the user documentation may be the trademarks or registered trademarks of their respective holders.

DE
EN
JA
FR
ES
PT
NL
IT
DA
SV
FI
EL
PL
TR
RU
ZH
TW
KO
ID
EE
LV
LT
CS
SK
HU
RO
BG
SL
HR

Statements regarding FCC and Industry Canada

FCC Supplier's Declaration of Conformity (SDoC)



SENNHEISER
Model No: SD-U16L

We, Sennheiser Electronic Corporation
One Enterprise Drive • Old Lyme •
CT 06371 • USA
Tel: +1 (860) 434 9190
Fax: +1 (860) 434 1759

declare the above device comply with the requirements of Federal Communications Commission.

This device complies with Part 15 of the FCC rules. Operation is subjected to the following two conditions:

- 1) This device may not cause harmful interference, and
- 2) This device must accept any interference received, including interference that may cause undesired operation.

Responsible Party: Michael Lieske

This device complies with Part 15 of the FCC rules and with RSS-210 of Industry Canada. Operation is subject to the following two conditions: (1) this device may not cause harmful interference, and (2) this device must accept any interference received, including interference that may cause undesired operation.

This class B digital equipment complies with the Canadian ICES-003.

Changes or modifications made to this equipment not expressly approved by Sennheiser electronic Corp. may void the FCC authorization to operate this equipment.

Before putting the equipment into operation, please observe the respective country-specific regulations!



300

High Definition Driver
300

Sennheiser electronic GmbH & Co. KG

Am Labor 1, 30900 Wedemark, Germany
www.sennheiser.com

Publ. 12/18, 582753/A01