

# Installation Amplifiers

Owners Manual





English	2
Français	12
Italiano	24
Deutsch	36
Español	48
Português	60
Nederlands	72
中文	84
РУССКИЙ	96
БЕЛАРУСКАЯ	108
ҚАЗАҚША	130
日本語	142
154	العربية
Polski	166

# Contents



Introduction	2	Rack Mounting your Amplifier	7
Connections Overview	3	Connecting to a Network	7
IA150-2	3	Configuring your 'Connect' Amplifier Using the Web Portal	8
IA60-12	3	Basic Settings	8
IA200-2C	4	Input/ Output Settings	9
IA150-8C	4	DSP Configuration	10
IA800-2C	5	Infrared Remote Codes	12
Connection Descriptions	5	Troubleshooting	12
LED Indicators	6	Guarantee	12
Bridging Channels	6	Owner Information	12
Feet	7	Specifications	13

## Introduction

Introducing the Monitor Audio Installation Amplifiers, built to do more and use less space, featuring cutting-edge technology for the best sound performance in any installation project. The multi-channel amplifiers can be used in a wide range of applications in residential and commercial properties with power up to 2000 watts. Audio channels can be grouped or bridged for flexible installations, configurable up to 12 channels.

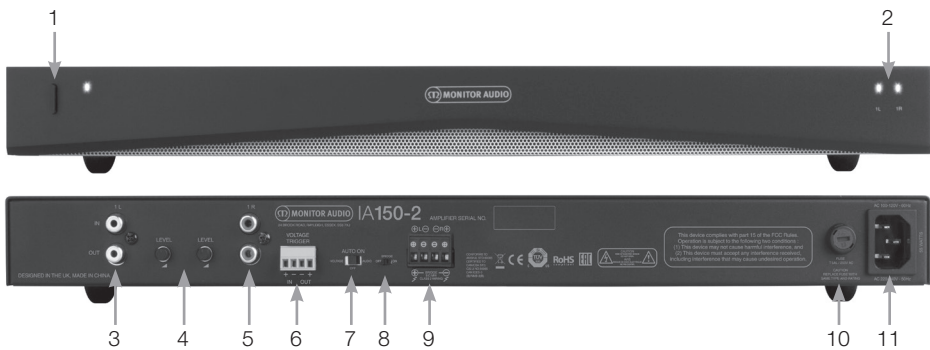
We have selected the world renowned Hypex amplifiers to guarantee reliability and the great sound quality you'd expect from Monitor Audio, reduced into slim 1U and 2U high cases that universally fit into most racks whilst delivering 93% energy efficiency.

All amplifiers feature full connectivity with simple wired voltage trigger or signal sense.

'Connect' amplifiers include more complex DSP and IP control, offering wider flexibility and integration.

# Connections Overview

## IA150-2



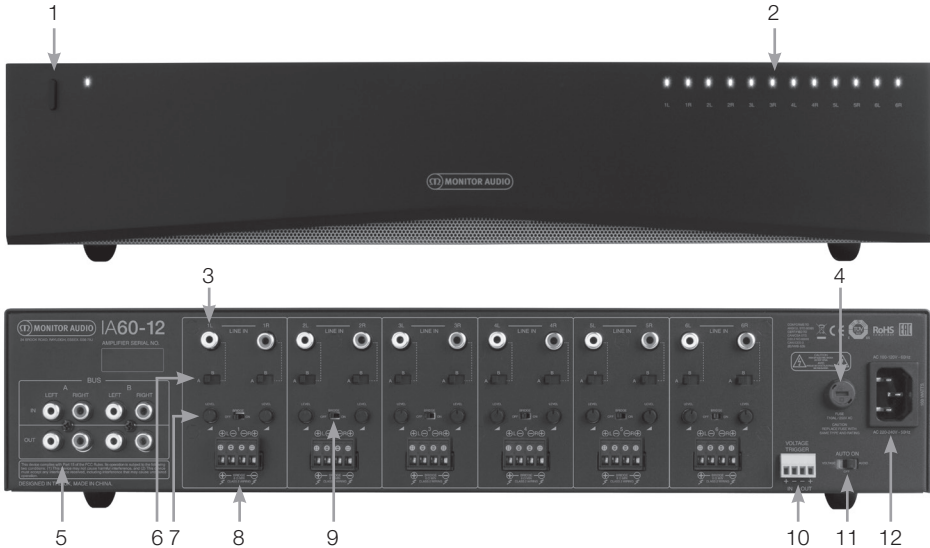
### FRONT PANEL

1. Power Button
2. Channel Indicator LED

### REAR PANEL

3. Left Channel RCA Input/Output
4. Volume Level Control
5. Right Channel RCA Input/Output
6. Trigger Input/Output
7. Auto On Switch
8. Bridge On/Off Switch
9. Speaker Block Connector
10. AC Fuse Holder
11. Power Cord Connection

## IA60-12



### FRONT PANEL

1. Power Button
2. Channel Indicator LED

### REAR PANEL

3. Channel RCA Inputs
4. AC Fuse Holder
5. Bus RCA Inputs/Outputs
6. Channel Input Switch
7. Volume Level Control
8. Speaker Block Connector
9. Bridge On/Off Switch
10. Trigger Input/Output
11. Auto On Switch
12. Power Cord Connection

# IA200-2C



## FRONT PANEL

- 1. Power Button
- 2. Channel Indicator LED
- 3. Output Volume Control

## REAR PANEL

- 4. IR Control Input and Output
- 5. IR Status LED
- 6. Channel RCA Inputs/Outputs
- 7. Voltage Trigger Input/Output
- 8. Ethernet (RJ-45) Connection
- 9. Speaker Block Connector
- 10. AC Fuse Holder
- 11. Power Cord Connection

# IA150-8C



## FRONT PANEL

- 1. Power Button
- 2. Channel Indicator LED
- 3. Output Volume Control

## REAR PANEL

- 4. IR Control Input/Output
- 5. IR Status LED
- 6. Ethernet (RJ-45) Connection
- 7. Voltage Trigger Input/Output
- 8. Speaker Block Connector
- 9. Channel RCA Inputs/Outputs
- 10. AC Fuse Holder
- 11. Power Cord Connection

IA800-2C



**FRONT PANEL**

1. Power Button
2. Channel Indicator LED
3. Output Volume Control

**REAR PANEL**

4. Speaker Block Connector
5. Channel RCA Inputs/Outputs
6. Voltage Trigger Input/Output
7. IR Control Input/Output
8. IR Status LED
9. Ethernet (RJ-45) Connection
10. AC Fuse Holder
11. Power Cord Connection

Connection Descriptions

**AC Fuse Holder**

This compartment houses the amplifier's internal fuse, should the fuse ever require changing the compartment can be opened by inserting a flat headed object such as a screwdriver and turning anti-clockwise. Refer to the information printed on the product below the fuse holder for the correct fuse specification.

**Power Button**

This is the main power switch for the amplifier. Please ensure the amplifier is turned off if not used for long periods of time.

**Output Volume Control**

**'Connect' models only.**

Use a small flat headed screwdriver to increase or decrease the volume of the output. This is linked to the "Output Volume" on the web portal. Refer to page 10. Turn anticlockwise if clipping/ distorting (as indicated by the channel LED on the front), or clockwise for more volume.

**Channel RCA Inputs**

Stereo left and right RCA connectors for connecting audio sources. Models with an increased number of channels such as the IA60-12 will feature more inputs for the number of output channels available.

**Channel RCA Outputs**

Stereo left and right RCA connectors for connecting to external playback devices such as active subwoofers or to additional amplifiers.

**Volume Level Control**

**IA150-2 and IA60-12 only.**

Used to increase or decrease the output volume. Reduce if the speakers are clipping, increase if the output volume is too quiet.

**Ethernet (RJ-45) Connection**

**'Connect' models only.**

Used to make connection to a wired network. Once connected amplifier will become visible on the network to other devices. Refer to page 8 on how to setup your 'Connect' amplifier.

**Voltage Trigger Input and Output**

Trigger connection can be made to the input/ output of another device. When using the input the amplifier will switch on and off with the connected device. A device connected to the output of the amplifier will switch on and off with the amplifier.

## Auto On Switch

### IA150-2 and IA60-12 only.

There are three settings; Voltage, Audio and Off. In the Voltage setting the Trigger method will be used to wake up the amplifier from standby. In the Audio setting the amplifier will wake from standby when an audio signal is present. It will return to standby when no signal is present for 15 minutes. In the Off setting the amplifier can only be switched On and Off manually.

## Bridge Switch

### IA150-2 and IA60-12 only.

Switch On or Off Bridge mode, with this activated two outputs are combined to produce more output power.

## Bus RCA Inputs

### IA60-12 only.

Stereo left and right RCA inputs for connecting audio sources. Unlike the Channel RCA connectors the Bus RCA inputs can be routed to multiple output channels.

## Bus RCA Outputs

### IA60-12 only.

Stereo left and right RCA outputs. This can be used if you wish to daisy chain the Bus Input signal to external devices/ additional amplifiers.

## Bus Switch

### IA60-12 only.

Select the audio source input for the channel on the amplifier.

## Speaker Block Connector

Accepts up to 12 gauge cable for connecting speakers, please refer to the next column of this page.

## IR Input

Connect an infrared receiver to this input to control the amplifier using programmable remotes. Please refer to page 12 for discreet commands/ Hex codes.

## IR Output

For use with an infrared repeater or linking to the IR input on other amplifiers, this will allow multiple devices to receive the same command from a single remote command. For example a single power On/ Off command could be used for an entire rack of installation amplifiers rather than individually.

## LED Indicators

### Power LED (Orange LED):

LED Dim Orange - standby mode

LED Bright Orange - power on

Flashing Bright Orange LED - identification mode or updating

### Channel LED (Orange/ White Dual LED):

LED Off - no signal present

Orange LED - signal present

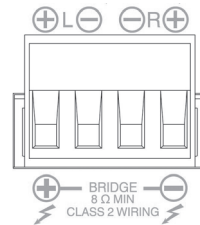
White LED - channel is clipping or the amp has gone into protection mode

Flashing White LED - thermal protection

If experiencing clipping or thermal protective LED patterns decrease the volume, if the issue remains please refer to the troubleshooting section on page 12.

## Connecting your Speakers

All amplifiers feature speaker block connectors for a secure and safe connection to your speakers, these blocks are removable for easy access. Using a flat headed screwdriver loosen the screw heads at the top of speaker block and insert speaker cable up to 12 gauge into the front openings. Tighten the screw heads to clamp the speaker cable in place.

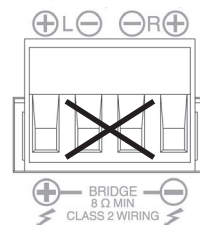


## Bridging Channels



**WARNING: The minimum speaker impedance for bridged operation is 8 Ohms. Do not connect any speakers in bridged mode that are less than 8 Ohms nominal impedance.**

1. Set the zone's BRIDGE switch to the ON position, refer to the Connections Overview section.
2. Connect the speaker's "+" lead to the left channel connector marked "+" and the speaker's "-" lead to the right channel connector marked "+". The "-" outputs are not used.



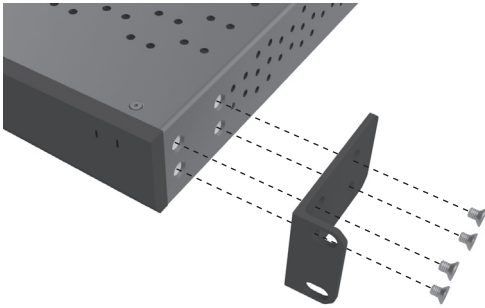


## Feet

Every amplifier model is supplied with four rubber feet for when used out of a rack. To attach the feet simply screw them into the four threaded inserts on the base of the amplifier.

## Rack Mounting your Amplifier

Every amplifier model is supplied with rack bracket fixings for mounting the amplifier in standard 19" racks. To fit the brackets, simply remove the 4 screws on each side of the amplifier towards the front. Place the brackets over the holes that have been revealed and use the same screws to attach the brackets.



## Powering the Amplifier

All models are supplied with an IEC mains cable. Each time the amplifier's mains cable is initially plugged in and the power switch is turned ON, all channel outputs are disconnected for approximately 12 seconds and all Channel Indicator LEDs will illuminate briefly while the amp boots up.



**NOTE: Do not switch on the power at the wall outlet until all system connections have been made.**

## Connecting to a Network



**NOTE: This section applies to 'Connect' models only.**

1. Connect the amplifier to a network switch using an ethernet cable. Make sure the computer and amplifier are on the same network.
2. Turn on the amplifier.
3. The amplifier will be issued an IP address by the DHCP Server.
4. Run an IP address finding application such as 'Advanced IP Scanner' (Windows only), which is available for free download from here: [https:// www.advanced-ip-scanner.com](https://www.advanced-ip-scanner.com)
5. Launch 'Advanced IP Scanner' (or a preferred application) and enter your networks IP range (managed by your router) into the search bar at the top. Click on Scan to search.
6. The IP address of the amplifier in the list will have a drop down option that when double clicked will take you to the amplifier's web setup .

Alternatively, all network IP addresses will be accessible from your Router configuration page.

Once the amplifier's IP address is known it can be entered into a web browser of your choice to open access the web portal.

# Configuring your 'Connect' Amplifier Using the Web Portal

## Basic Settings

Here the most basic general amplifier settings can be edited and saved. The following section will take you through each of the functions on this tab.



**NOTE: Some changes made in the web portal will not be visible until the page is manually refreshed or you navigate to one of the other pages.**

## Information

Here you can add a name for the amplifier and enter the installation details for future reference. The amplifier model, firmware version and serial number are displayed here, these are non-editable.

## Network

**IP Address** – Shows the current IP address used when DHCP is ON. When DHCP is set to OFF this allows you to enter a desired static IP address.

**IP Subnet Mask** – Shows current IP Subnet Mask used when DHCP is on. When DHCP is set to OFF this allows you to enter a desired IP Subnet Mask.



**NOTE: If changing the IP address or the Subnet Mask, the new IP address will need to be entered into the web browser to see the amplifier's web portal again.**

## Identification Mode

When this option is switched ON the front power LED will start flashing. This is useful for identifying which amplifier is being configured when using multiple amplifiers.

## Print

Press this to open a printable page with all current amplifier settings.

## Power ON

Here you can select from a selection of Power On Methods (described below) for what best suits your installation. Also a powering ON delay can be set from 0-20 seconds, this is useful when you want a series of amplifiers to switch On in a specific sequence.

**Power Button** – Turn off signal sense and voltage trigger detection. The power state is controlled by the power button on the unit only.

**Audio** – This mode uses signal sense to turn the amplifier on. Additionally, communication over the network is still possible. In this mode the amplifier will consume up to 2W in standby.

**Voltage Trigger** – Turn amplifier on with 12v Voltage Trigger.

**Audio Green** – This mode uses signal sense to turn the amplifier on. If no signal is received for approximately 15 minutes the amplifier will enter standby. Network communication is turned off when in standby, to communicate with the amplifier it needs to be woken from standby. In this mode the amplifier will consume up to 0.5W in standby.

**Voltage Green** – This mode uses the voltage trigger to turn the amplifier on and off. Network communication is turned off when in standby, to communicate with the amplifier it needs to be woken from standby. NOTE: In this mode the amplifier will consume up to 0.5W in standby.

Power Mode	Power in Standby	Network Communication in Standby
Power Button	N/A	N/A
Audio	2W	Yes
Voltage Trigger	2W	Yes
Audio Green	0.5W	No
Voltage Green	0.5W	No

## Save & Restore

Here all settings can be saved to a file, which can then be used to restore the settings from if required.

## Load Global Preset

**Active Global Preset** – Show current active Global Preset (this displays the name of the currently active global preset, this is not a text input box) – with reset button to reset current active preset to default settings.

**Select Global Preset** – Selects which preset you wish to edit and implement from drop down menu.

The load button next to the drop down menu will activate the selected preset and restart the amplifier after confirmation from the pop-up prompt. The active global preset will change when the web page has been refreshed.

**Edit Preset name** – Text field to edit name of the preset currently selected from drop down menu.

## Import/ Export Global Preset

**All Presets** – Import/ Export all Global Presets to/ from a file.

**Single Preset** – Import/ Export a single global preset from menu to/ from a file.

## Duplicate Global Preset

Copy Global Preset 'X' to Global Preset 'Y'. Both of which are selectable from the drop down menus.

## Reset

**Factory Reset** – Reset button will reset all settings and all presets (global & DSP) to original factory settings. When pressed the power LED on the amplifier will flash, followed by restarting.

## Update

**Firmware Update** - This button will install firmware (.bin file) chosen by the user. If the update is successful a notification will appear in the web portal. Follow the prompts to then restart the amplifier and return to the 'Basic Setting' page. The latest firmware will be available for download on our website: [monitoraudio.com](http://monitoraudio.com)

**NOTE: We recommend checking your firmware each installation. The latest firmware can be found on our website: [monitoraudio.com](http://monitoraudio.com)**

# Input/ Output Settings

Here you can configure the routing for each input to a selected output. Individual trim level, mode, gain offset and volume parameters can also be set. This is also where you can activate amplifier modes such as 70V line (IA800-2C only) or bridge.



**NOTE: Some changes made in the web portal will not be visible until the page is manually refreshed or you navigate to one of the other pages.**

## Input Setup

Here it shows all available input channels. Each input name can be customised and the trim level can be adjusted for each channel by +/- 6dB. Trim Level is the input level before being amplified.

## Output Setup

**Channel** – Select an output channel to edit. When a channel is selected from a drop down menu its equivalent channels will also show on the other drop down. (i.e. if 1 LEFT is selected on the left hand drop down, 1 RIGHT will appear in the right hand drop down).

**Output Name** – Text Input for channel output name.

**Stereo/ Mono** – Stereo/ Mono selection for each channel. With Mono selected L & R input channels are summed to mono on selected outputs.

**DSP Preset** – Selects saved DSP Preset to apply to output channel. This will always be individually selectable on each channel, never linked between stereo pairs.

**Control Zone** – Select A, B, C, D, ... (Number of groups = number of output channels). This groups the settings Output Volume, Turn On Volume and Mute across channels which have the same Control Zone selected. For controlling several channels as a single zone.

**Amp Mode** – Select between Stereo and Bridged Mode. Also used to select 70V mode on IA800-2C.

## Output Volume

**Channel** – Select output channel to edit. When a channel is selected from a drop down menu its equivalent channels will also show on the other drop down as above. The following options control the selected channel output:

- Output Volume - this is linked to the control dial on the front. Adjusting the dial on the front changes the value on the web page (once refreshed). the dial will not change when adjusted on the web page.

- Turn On Volume

- Mute

**Control Zone** – Select Control Zone. The following options control the selected zone output:

- Maximum Volume

- Gain Offset

## Output Source

**Channel** – Select output channel to edit routing. When a channel is selected from a drop down menu its equivalent channels will also show on the other drop down as above.

**Source 1** – Select Primary input source to be routed to selected channel.

Primary source is always stereo linked so for example if 1L is selected for the left channel, 1R will automatically be selected for the right channel

**Source 2** – Select secondary input source to be routed to selected channel.

Secondary source can be individually selected and doesn't have to be stereo linked.

**Source Select** – Select between Priority Source 2, Source 1 Only, or MIX.

By doing this either Source 1, Source 2 or a MIX (of source 1 and 2) will be routed to the selected output channel. Default: Source 1.

# DSP Configuration

On the DSP configuration tab final adjustments can be made to the sound using a 10 band parametric EQ, these can then be saved as presets, which can be exported and imported.



**NOTE: Some changes made in the web portal will not be visible until the page is manually refreshed or you navigate to one of the other pages.**

## Allocate Preset

**Output Channel** – Select channel to edit and select output DSP Preset. When a channel is selected from a drop down menu its partnering channel will also show on the other drop down as opposite.

**Output Name** – Text Input for channel name. If it is changed here, then it will also change on the Input/ Output settings page.

**DSP Preset** – Selects saved DSP Preset to apply to output channel. This will always be individually selectable on each channel, never linked between stereo pairs.

## Test Signal

**Output Channel** – Select output channel to route test signal to. When a channel is selected from a drop down menu its equivalent channels will also show on the other drop down as above.

**Stimulus** – Select Pink Noise or any input channel to route to selected output temporarily.

**Volume Level** – Volume level of stimulus of selected channel in dB.

**On/ Off** – Turn selected stimulus on or off. Defaults to off when exiting DSP Configuration page.

## Import/ Export Preset

**All Presets** – Import/ Export all DSP Presets to/ from a file.

**Single Preset** – Import/ Export currently selected DSP Preset to/ from a file.

## Duplicate Preset

Copy DSP Preset 'X' to DSP Preset 'Y'. Both of which are selectable from the drop down menus.

## Select/ Rename DSP Preset

**Select DSP Preset** – The selected preset will automatically store any changes to EQ settings made in the settings below.

**Edit Preset Name** – Text entry field to change preset to a custom name.

**Reset** – Reset all names and settings of currently selected preset to default.

## EQ Graph

Shows curve of EQ settings.

## EQ Parameter

10 bands of parametric EQ each with the following configurable settings:

**EQ – On/ Off** – Used to switch on the frequency band to activate the parameter changes applied.

**EQ Frequency** – This is the centre point in the frequency bandwidth at which the changes are applied.

**EQ – Q** – The Q factor controls the bandwidth that will be boosted by the equaliser (number range between 0.3-24). The lower the Q factor, the wider the bandwidth (and the more frequencies either side of the centre point will be affected). The higher the Q factor, the narrower the bandwidth (and the fewer frequencies will be affected).

**EQ – Gain +/- dB** – The increase or decrease in gain/ volume at selected frequency.

## Tilt Control

This is where a gain change can be set to remain constant from below or above a set frequency. Apply a Tilt EQ Filter to low or high frequencies using the following configurable settings:

**Tilt On/ Off** – Used to switch on the High or Low Tilt EQ Filter to activate the parameter changes applied.

**Frequency** – Frequency start point of Tilt Filter adjustment.

**Gain** – The increase or decrease in gain/ volume.

## Crossover

This is where High Pass (HP) or Low Pass (LP) crossover filters can be applied. This is useful when using passive subwoofers (a LP filter will be used) or small satellites that cannot handle low frequencies (HP filter). Set Low Pass and High Pass Filters using the following configurable settings:

**Crossover On/ Off** – Used to switch on the High or Low Pass Filter to activate the parameter changes applied.

**Cut off Frequency** – Set the -6dB point of each HP & LP Crossover Filter.

**Filter Type** – Selectable between 6, 12, 18, 24 dB per octave for each HP & LP Crossover Filter. The greater the figure the steeper the cut off angle of the slope.

## Delay

Text entry fields to select delay in either milliseconds, feet or metres.

When a number is entered for one unit, the other two units are automatically calculated.

## Limiter

**Level** – Level of limiter selectable between Off, -3dB, -6dB, -9dB. This is designed to limit the level of a signal above the threshold set, preventing any additional gain above this point and potential damage to the speakers.

## Infrared Remote Codes

### **'Connect' models only.**

'Connect' amplifiers have an IR input and output for use with universal remote controls. The commands for the amplifiers follow the standard NEC protocol and can be downloaded from: **monitoraudio.com**

## Troubleshooting

### Fault LED Indicators:

#### **White LED - channel is clipping/ in protection mode**

When the input signal is too high the channel LED's will illuminate solid white. If this happens decrease either the trim level on the amp or decrease the volume of the audio source.

#### **Flashing White LED - thermal protection**

If this happens we would recommend switching off the amplifier and leaving it to cool down to room temperature before powering back On.

### Other faults:

#### **No Power**

If there is no power to the amplifier check the fuse inside the plug (if applicable) and the amps internal fuse, refer to the Connections Overview on page 3.

#### **No Sound**

Ensure to check all connections and cables, if the amp is a 'Connect' model ensure channels are routed correctly and not muted.

If the amplifier is configured in bridge mode ensure the switch/ settings and wiring are correctly configured.

If it still does not output a signal or the fault mode is still present, please contact your local dealer/ distributor or Monitor Audio immediately.

## Guarantee

Both the craftsmanship and the performance of this product is guaranteed against manufacturing defects for the period of **five** years from the date of purchase (see conditions in the Important Safety Instructions booklet), provided that the product was supplied by an authorised Monitor Audio retailer under the consumer sale agreement.

To help us find your warranty details within our customer database, should the need arise, please take a few minutes to register your product(s) online at: **monitoraudio.com**

## Owner Information

### **Product Details**

Model: \_\_\_\_\_

Product Serial No: \_\_\_\_\_

Date of Purchase: \_\_\_\_\_

### **Dealer Details**

Dealer Name: \_\_\_\_\_

Address: \_\_\_\_\_

\_\_\_\_\_

Post code: \_\_\_\_\_

E-mail address: \_\_\_\_\_

# Specifications

Model:	IA150-2	IA60-12	IA200-2C	IA150-8C	IA800-2C	
<b>Connect' IP control</b>	N/A	N/A	Yes	Yes	Yes	
<b>Channel Number</b>	2 (One Stereo Pair)	12 (6 Stereo Pairs)	2 (One Stereo Pair)	8 (4 Stereo Pairs)	2 (One Stereo Pair)	
<b>Power (Watt/ Channel)</b>	4 Ohms	150W	60W	200W	150W	800W
	8 Ohms	100W	45W	150W	140W	500W
	Bridge (8 Ohms)	320W (1CH)	100W (6CH)	470W (1CH)	300W (4CH)	2000W (1CH)
	70V	N/A	N/A	N/A	N/A	800W (2CH)
<b>Input Impedance</b>	20K Ohms					
<b>Output Impedance (Loop RCA)</b>	600 Ohms					
<b>Input Sensitivity</b>	100mV/1W - 1000mV Full power	100mV/1W - 700mV Full power	100mV/1Watt - 1230mV Full power	100mV/1Watt - 1140mV Full power	100mV/1Watt - 2200mV Full power	
<b>Maximum Input Voltage (RMS)</b>	2.9V					
<b>Signal to Noise (SN:R)</b>	-100dB (20Hz - 20kHz)					
<b>Frequency Response (-3dB)</b>	5Hz - 50kHz					
<b>Total Harmonic Distortion (THD + N@1 kHz)</b>	0.03% @ 1W					
<b>Rack Height</b>	1U	2U	1U		2U	
<b>Dimensions - No Feet (H x W x D)</b>	42.4 x 438 x 427mm 1 11/16 x 17 1/4 x 16 13/16"	86.8 x 438 x 427mm 3 7/16 x 17 1/4 x 16 13/16"	42.4 x 438 x 427mm 1 11/16 x 17 1/4 x 16 13/16"		86.8 x 438 x 438mm 3 7/16 x 17 1/4 x 16 13/16"	
<b>Dimensions - With Feet (H x W x D)</b>	52.8 x 438 x 427mm 2 1/16 x 17 1/4 x 16 13/16"	97.2 x 438 x 427mm 3 13/16 x 17 1/4 x 16 13/16"	52.8 x 438 x 427mm 2 1/16 x 17 1/4 x 16 13/16"		97.2 x 438 x 438mm 3 13/16 x 17 1/4 x 16 13/16"	
<b>Width Including Rack Brackets</b>	482mm 19"					
<b>Weight</b>	5.29 Kg (11lb 10oz)	7.34 Kg (16lb 2oz)	5.3 Kg (11lb 10oz)	7.45 Kg (16lb 6oz)	9.2 Kg (20lb 4oz)	
<b>IP Communication</b>	N/A	N/A	TCP/IP (RJ-45 10/100 Base T)			
<b>Mains Operating Voltage</b>	100-120V@ 60Hz, 220-240V@50Hz					
<b>Fuse Rating</b>	5A (T5AL ~ 250VAC)	10A (T10AL ~ 250VAC)	5A (T5AL ~ 250VAC)	10A (T10AL ~ 250VAC)	15A (T15AL ~ 250VAC)	
<b>Standby Power Consumption</b>	<0.5W (green mode)					
<b>Networked Standby Power Consumption</b>	N/A		<2W			

Monitor Audio reserves the right to alter specifications without notice.

# Table des matières



Introduction	14	Configuration de votre amplificateur « connecté » (Connect) à l'aide d'un portail Web	20
Aperçu des connexions	15	Paramètres de base (« Basic Settings »)	20
IA150-2	15	Paramètres d'entrée/sortie (« Input/Output Settings »)	21
IA60-12	15	Configuration du DSP (« DSP Configuration »)	22
IA200-2C	16	Codes de télécommande infrarouge	24
IA150-8C	16	Résolution des problèmes	24
IA800-2C	17	Garantie	24
Description des connexions	17	Informations utilisateur	24
Indicateurs DEL	18	Spécifications	25
Dérivation des canaux	18		
Pieds	19		
Montage en rack	19		
Connexion à un réseau	19		

## Introduction

Nous vous présentons les amplificateurs d'installation Monitor Audio. Conçus pour offrir plus d'options en occupant un minimum d'espace et dotés d'une technologie de pointe, ils fournissent la meilleure performance sonore dans tous les projets d'installation. Les amplificateurs multi-canaux peuvent être utilisés dans de nombreuses applications au sein de propriétés résidentielles et commerciales et fournissent une puissance pouvant atteindre 2 000 watts. Les canaux audio peuvent être regroupés ou montés en dérivation pour des installations flexibles et la configuration jusqu'à 12 canaux.

Nous avons sélectionné les amplificateurs Hypex de renommée mondiale pour garantir la fiabilité et l'excellente qualité sonore attendues de Monitor Audio, le tout dans des boîtiers compacts d'1 et 2 U universellement adaptés à la plupart des racks, tout en fournissant une efficacité énergétique de 93 %.

Tous les amplificateurs proposent une connectivité complète grâce à une gâchette de tension ou détecteur de signal à connexion simple.

Les amplificateurs « connectés » comprennent des commandes DSP et IP pour une plus grande flexibilité et une intégration plus aisée.



# Aperçu des connexions

## IA150-2



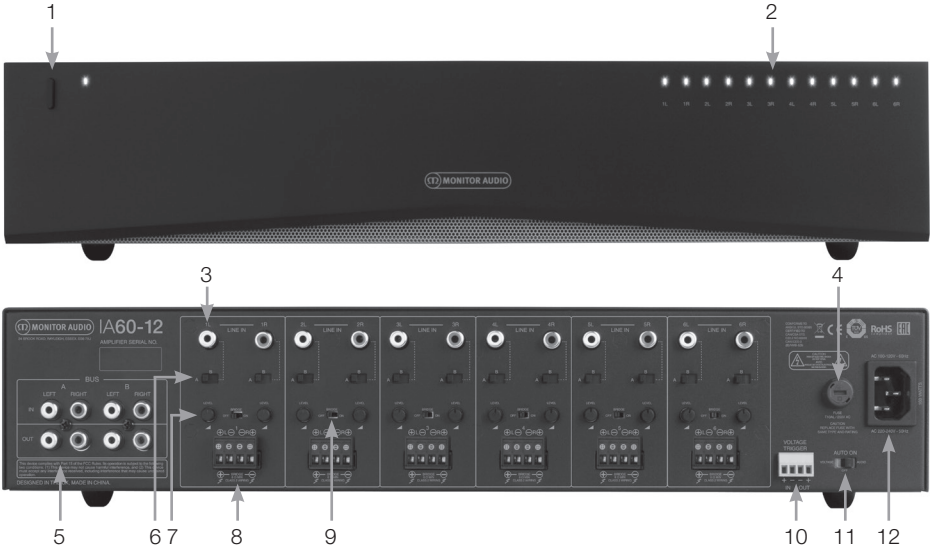
### PANNEAU AVANT

1. Bouton d'alimentation
2. Indicateur DEL de canal

### PANNEAU ARRIÈRE

3. Entrée/sortie canal RCA gauche
4. Contrôle du volume
5. Entrée/sortie canal RCA droit
6. Entrée/sortie gâchette
7. Interrupteur On auto
8. Interrupteur On/Off dérivation
9. Connecteur bloc d'enceinte
10. Fusible AC
11. Alimentation

## IA60-12



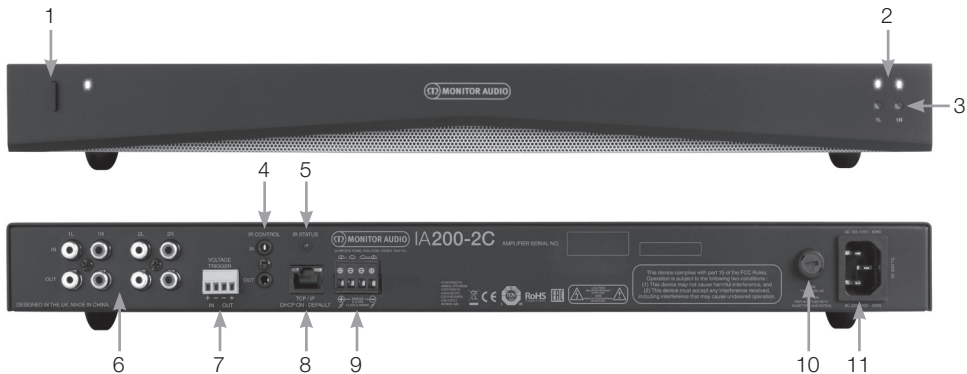
### PANNEAU AVANT

1. Bouton d'alimentation
2. Indicateur DEL de canal

### PANNEAU ARRIÈRE

3. Entrées canal RCA
4. Fusible AC
5. Entrées/sorties bus RCA
6. Interrupteur d'entrée canal
7. Contrôle du volume
8. Connecteur bloc d'enceintes
9. Interrupteur On/Off dérivation
10. Entrée/sortie gâchette
11. Interrupteur On auto
12. Alimentation

## IA200-2C



### PANNEAU AVANT

1. Bouton d'alimentation
2. Indicateur DEL de canal
3. Contrôle du volume de sortie

### PANNEAU ARRIÈRE

4. Entrée et sortie contrôle IR
5. DEL d'état IR
6. Entrées/sorties canal RCA
7. Entrée/sortie gâchette de tension

8. Connexion Ethernet (RJ-45)
9. Connecteur bloc d'enceintes
10. Fusible AC
11. Alimentation

## IA150-8C



### PANNEAU AVANT

1. Bouton d'alimentation
2. Indicateur DEL de canal
3. Contrôle du volume de sortie

### PANNEAU ARRIÈRE

4. Entrée/sortie contrôle IR
5. DEL d'état IR
6. Connexion Ethernet (RJ-45)
7. Entrée/sortie déclencheur de tension

8. Connecteur bloc d'enceintes
9. Entrées/sorties canal RCA
10. Fusible AC
11. Alimentation

IA800-2C



### PANNEAU AVANT

1. Bouton d'alimentation
2. Indicateur DEL de canal
3. Contrôle du volume de sortie

### PANNEAU ARRIÈRE

4. Connecteur bloc d'enceintes
5. Entrées/sorties canal RCA
6. Entrée/sortie déclencheur de tension
7. Entrée/sortie contrôle IR

8. DEL d'état IR
9. Connexion Ethernet (RJ-45)
10. Fusible AC
11. Alimentation

## Description des connexions

### Fusible AC

Ce compartiment abrite le fusible interne de l'amplificateur. Si celui-ci doit être remplacé, le compartiment peut être ouvert à l'aide d'un objet à tête plate, comme un tournevis, que vous ferez tourner dans le sens inverse des aiguilles d'une montre. Reportez-vous aux informations imprimées sur le produit en dessous du fusible pour en obtenir les spécifications exactes.

### Bouton d'alimentation

Il s'agit du bouton d'alimentation principal de l'amplificateur. Veuillez vous assurer que l'amplificateur est bien éteint s'il n'est pas utilisé pendant une longue période.

### Contrôle du volume de sortie

**Pour les modèles « connectés » (Connect) uniquement.**

Utilisez un petit tournevis à tête plate pour augmenter ou diminuer le volume de sortie. Vous trouverez un lien à ce propos dans la section « Volume de sortie » (Output Volume) du portail Web. Voir page 22. Tournez dans le sens inverse des aiguilles d'une montre si écrêtement/distorsion (comme indiqué par la DEL de canal à l'avant), ou dans le sens des aiguilles d'une montre pour augmenter le volume.

### Entrées canal RCA

Connecteurs RCA gauche et droit stéréo pour connecter les sources audio. Les modèles dotés d'un plus

grand nombre de canaux, comme le modèle IA60-12, posséderont davantage d'entrées pour le nombre de canaux de sortie disponibles.

### Sorties canal RCA

Connecteurs RCA gauche et droit stéréo pour connecter des appareils de lecture externes comme des caissons de basses ou des amplificateurs supplémentaires.

### Contrôle du volume

**Pour les modèles IA150-2 et IA60-12 uniquement.**

Utilisé pour augmenter ou diminuer le volume de sortie. Diminuez le volume si le son est saturé, augmentez-le s'il est trop bas.

### Connexion Ethernet (RJ-45)

**Pour les modèles « connectés » (Connect) uniquement.**

Utilisée pour la connexion à un réseau câblé. L'amplificateur connecté sera visible sur le réseau pour les autres appareils. Reportez-vous à la page 20 pour la configuration de votre amplificateur « connecté ».

### Entrée et sortie gâchette de tension

La gâchette peut être connectée à l'entrée/sortie d'un autre appareil. Lorsque son entrée est utilisée, l'amplificateur s'allume et s'éteint avec l'appareil connecté. Un appareil connecté à la sortie de l'amplificateur s'allume et s'éteint avec l'amplificateur.

## Interrupteur On auto

### Pour les modèles IA150-2 et IA60-12 uniquement.

Trois réglages sont disponibles : tension, audio et off. Avec le réglage tension, la gâchette est utilisée pour sortir l'amplificateur du mode veille. Avec le réglage audio, l'amplificateur sort du mode veille en présence d'un signal audio. Il retourne en mode veille si aucun signal n'est présent pendant 15 minutes. Avec le réglage off, l'amplificateur ne peut être allumé et éteint que manuellement.

## Interrupteur de dérivation

### Pour les modèles IA150-2 et IA60-12 uniquement.

Allumez ou éteignez le mode dérivation ; s'il est activé, deux sorties sont combinées pour produire une puissance de sortie plus importante.

## Entrées bus RCA

### Pour le modèle IA60-12 uniquement.

Entrée RCA gauche et droit stéréo pour connecter les sources audio. Contrairement aux connecteurs canal RCA, les entrées bus RCA peuvent être connectées à plusieurs canaux de sortie.

## Sorties bus RCA

### Pour le modèle IA60-12 uniquement.

Sorties RCA gauche et droit stéréo Elles peuvent être utilisées si vous souhaitez connecter le signal d'entrée du bus en série avec des appareils externes/ amplificateurs supplémentaires.

## Interrupteur bus

### Pour le modèle IA60-12 uniquement.

Sélectionnez l'entrée audio pour le canal de l'amplificateur.

## Connecteur bloc d'enceintes

Prend en charge jusqu'à 12 câbles pour le branchement d'enceintes. Veuillez consulter la colonne suivante de la présente page.

## Entrée IR

Connectez un récepteur infrarouge à cette entrée pour contrôler l'amplificateur en utilisant des commandes programmables. Veuillez vous reporter à la page 24 pour des commandes discrètes/codes Hex.

## Sortie IR

Pour une utilisation avec un répéteur infrarouge ou en connectant la sortie IR à d'autres amplificateurs afin que plusieurs appareils puissent recevoir une seule et même commande à distance. Une seule commande de marche/arrêt pourrait par exemple être utilisée pour un rack entier d'amplificateurs d'installation plutôt qu'une commande par appareil.

## Indicateurs DEL

### DEL alimentation (DEL orange) :

DEL orange pâle - mode veille

DEL orange vif - appareil allumé

DEL orange vif clignotante - mode identification ou mise à jour

### DEL canal (double DEL orange/blanche) :

DEL éteinte - aucun signal

DEL orange - présence d'un signal

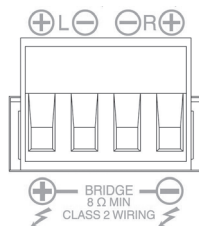
DEL blanche - écrêtage sur le canal ou activation du mode protection de l'amplificateur

DEL blanche clignotante - protection thermique

Si la DEL vous indique un écrêtage ou une protection thermique, faites baisser le volume. Si le problème persiste, veuillez vous référer à la section « Résolution des problèmes » en page 24.

## Connexion de vos enceintes

Tous les amplificateurs sont dotés de connecteurs pour bloc d'enceintes afin d'y brancher vos enceintes en toute sécurité. Ces blocs sont amovibles pour un accès facile. À l'aide d'un tournevis à tête plate, desserrez les vis en haut du bloc d'enceintes et insérez le câble de l'enceinte jusqu'à 12 gauges dans les ouvertures avant. Resserrez les vis pour maintenir le câble de l'enceinte en place.

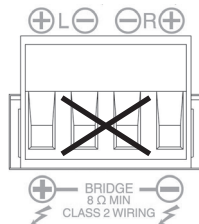


## Dérivation des canaux



**AVERTISSEMENT : L'impédance minimum des enceintes doit être de 8 ohms pour les opérations de montage en dérivation. Ne montez en dérivation aucune enceinte d'une impédance nominale inférieure à 8 ohms.**

1. Placez l'interrupteur BRIDGE en position ON, référez-vous à la section « Aperçu des connexions » (Connections Overview).
2. Connectez la fiche « + » de l'enceinte au connecteur canal gauche marqué d'un signe « + » et la fiche « - » de l'enceinte au connecteur canal droit marqué d'un signe « + ». Les sorties « - » ne sont pas utilisées.

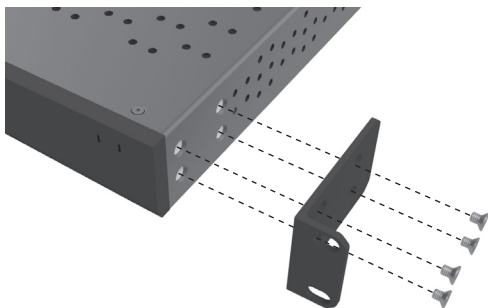


## Pieds

Chaque modèle d'amplificateur est fourni avec quatre pieds pour une utilisation hors rack. Pour fixer les pieds, vissez-les simplement dans les inserts de filetage à la base de l'amplificateur.

## Montage en rack

Chaque modèle d'amplificateur est fourni avec des fixations pour rack pour pouvoir le monter dans des racks standard de 19 pouces. Afin d'arrimer correctement les fixations, retirez simplement les 4 vis de chaque côté de l'amplificateur vers l'avant. Placez les fixations en face des trous qui sont maintenant visibles et utilisez les mêmes vis pour arrimer les fixations.



## Allumer l'amplificateur

Tous les modèles sont fournis avec des câbles IEC principaux. Chaque fois que le câble principal de l'amplificateur est branché pour la première fois et que l'interrupteur d'alimentation est en position « ON », toutes les sorties canal sont déconnectées pendant environ 12 secondes et toutes les DEL d'indicateur de canal s'éclairent brièvement lorsque l'amplificateur se rallume.



**REMARQUE : N'allumez pas la prise murale avant d'avoir effectué toutes les connexions systèmes.**

## Connexion à un réseau



**REMARQUE : Cette section ne concerne que les modèles « connectés ».**

1. Connectez l'amplificateur à un interrupteur réseau à l'aide d'un câble Ethernet. Assurez-vous que l'ordinateur et l'amplificateur se trouvent sur le même réseau.
2. Allumez l'amplificateur.
3. Une adresse IP sera attribuée à l'amplificateur par l'interrupteur réseau.
4. Gérez une adresse IP en trouvant une application comme « Advanced IP Scanner » (pour Windows uniquement), téléchargeable gratuitement à l'adresse [https:// www.advanced-ip-scanner.com](https://www.advanced-ip-scanner.com)
5. Lancez « Advanced IP Scanner » (ou une autre application) et saisissez la plage IP de votre réseau (gérée par votre routeur) dans la barre de recherche en haut de l'écran. Cliquez sur « Scanner » (Scan) pour lancer la recherche.
6. L'adresse IP de l'amplificateur dans la liste possède un menu déroulant qui vous dirige vers la page de configuration Web de l'amplificateur si vous double-cliquez dessus.

Toutes les adresses IP du réseau sont également accessibles depuis la page de configuration de votre routeur.

Une fois que vous connaissez l'adresse IP de l'amplificateur, vous pouvez la saisir dans le navigateur Web de votre choix pour accéder au portail Web.

# Configuration de votre amplificateur « connecté » (Connect) à l'aide d'un portail Web

## Paramètres de base (« Basic Settings »)

Vous pouvez ici modifier et sauvegarder les paramètres de base généraux de votre amplificateur. La section suivante vous guide à travers chacune des fonctions dans cet onglet.



**REMARQUE : Certains changements apportés au portail Web ne seront pas visibles avant que vous ayez rafraîchi manuellement la page ou que vous ayez navigué sur l'une des autres pages.**

The screenshot shows the 'MONITOR AUDIO' web portal configuration page. The top navigation bar includes 'Basic Settings', 'Input/Output Settings', and 'DSP Configuration'. The main content area is organized into several sections:

- Information:** Fields for Device Name, Device Model (IA200-2C), Customer Name, Dealer Name, Installer Name, Installation Date, Firmware Version (V1.30), and Serial Number (7301281711).
- Network:** DHCP (On), IP Address (192.168.68.35), and IP Subnet Mask (255.255.255.0).
- Identification Mode:** Flash Power Switch (Off).
- Print:** Print - All Settings button.
- Power On Method:** Power On Method (Power Button) and Delay (0 Seconds).
- Save & Restore:** Save and Restore buttons.
- Load Global Preset:** Active Global Preset, Select Global Preset, and Edit Preset Name fields with associated buttons.
- Import/Export Global Preset:** All Presets and Single Preset sections with Import and Export buttons.
- Duplicate Global Preset:** From and To fields with a Duplicate button.
- Reset:** Factory Reset button.
- Update:** Firmware Update button.

## Information

Vous pouvez ici donner un nom à votre amplificateur et renseigner les détails de l'installation pour pouvoir les consulter ultérieurement. Le modèle, la version du firmware et le numéro de série de l'amplificateur sont affichés ici et ne sont pas modifiables.

## Réseau (« Network »)

**Adresse IP (« IP Address »)** – montre l'adresse IP actuellement utilisée lorsque DHCP est activé. Lorsque DHCP est désactivé, vous pouvez saisir l'adresse IP statique que vous souhaitez.

**Masque de sous-réseau IP (« IP Subnet Mask »)** – montre le masque de sous-réseau IP actuellement utilisé lorsque DHCP est activé. Lorsque DHCP est désactivé, vous pouvez saisir le masque de sous-réseau IP que vous souhaitez.



**REMARQUE : Si vous modifiez l'adresse IP ou le masque de sous-réseau, vous devez saisir la nouvelle adresse IP dans le navigateur Web pour avoir accès au portail Web de l'amplificateur à nouveau.**

## Mode d'identification (« Identification Mode »)

Lorsque cette option est activée, la DEL d'alimentation à l'avant de l'amplificateur se met à clignoter. Cette option est utile pour identifier l'amplificateur en cours de configuration si vous en utilisez plusieurs.

## Imprimer (« Print »)

Cliquez sur cette option pour ouvrir une page imprimable de tous les paramètres actuels de l'amplificateur.

## Mise en route (« Power ON »)

Vous pouvez sélectionner parmi un ensemble de méthodes de mise en route (décrites ci-dessous) celle qui convient le mieux à votre installation. Vous pouvez également paramétrer une mise en route différée de 0 à 20 secondes, une option utile si vous souhaitez qu'une série d'amplificateurs s'allume selon une séquence spécifique.

## Bouton d'alimentation (« Power Button »)

Désactive la détection de signal et de gâchette de tension. L'état de l'alimentation ne peut être contrôlé que via le bouton d'alimentation de l'unité.

**Audio** – Ce mode utilise la détection de signal pour mettre en route l'amplificateur. La communication sur le réseau est en outre toujours possible. Dans ce mode, l'amplificateur consomme jusqu'à 2 W en veille.

**Gâchette de tension (« Voltage Trigger »)** – Met en route l'amplificateur avec une gâchette de tension de 12 V.

**Audio éco (« Audio Green »)** – Ce mode utilise la détection de signal pour mettre en route l'amplificateur. Il retourne en mode veille si aucun signal n'est présent pendant 15 minutes. La communication réseau est désactivée lorsque l'amplificateur est en veille ; la communication n'est possible que si celui-ci est hors veille. Dans ce mode, l'amplificateur consomme jusqu'à 0,5 W en veille.

**Tension éco (« Voltage Green »)** – Ce mode utilise la gâchette de tension pour mettre en route l'amplificateur et pour l'éteindre. La communication réseau est désactivée lorsque l'amplificateur est en veille ; la communication n'est possible que si celui-ci est hors veille. **REMARQUE :** Dans ce mode, l'amplificateur consomme jusqu'à 0,5 W en veille.

Mode d'alimentation	Alimentation en veille	Communication réseau en veille
<b>Bouton d'alimentation</b>	N/D	N/D
<b>Audio</b>	2 W	Oui
<b>Gâchette de tension</b>	2 W	Oui
<b>Audio éco</b>	0,5 W	Non
<b>Tension éco</b>	0,5 W	Non

## Sauvegarde et restauration (« Save & Restore »)

Vous pouvez ici sauvegarder tous les paramètres dans un fichier qui peut ensuite être utilisé pour restaurer les paramètres le cas échéant.

## Chargement d'un préséglage global (« Load Global Preset »)

**Préréglage global actif (« Active Global Preset »)** – Montre le préséglage global actif actuellement (nom du préséglage global actif actuellement, et non un champ de texte) – avec un bouton de réinitialisation pour revenir aux paramètres par défaut.

**Sélection d'un préséglage global (« Select Global Preset »)** – Sélectionne le préséglage que vous souhaitez modifier et utiliser dans le menu déroulant.

Le bouton de chargement à côté du menu déroulant active le préséglage sélectionné et redémarre l'amplificateur après confirmation depuis une fenêtre pop-up. Le préséglage global actif est modifié une fois la page Web rafraîchie.

**Modification du nom du préséglage (« Edit Preset name »)** – Il s'agit d'un champ de texte permettant de modifier le nom du préséglage actuellement sélectionné dans le menu déroulant.

## Importer/exporter le préséglage global (« Import/Export Global Preset »)

**Tous les préséglages (« All Presets »)** – Importe/exporte tous les préséglages globaux vers/depuis un fichier.

**Préréglage unique (« Single Preset »)** – Importe/exporte un seul préséglage global vers/depuis un fichier.

## Duplication d'un préséglage global (« Duplicate Global Preset »)

Copie un préséglage « X » vers un préséglage « Y ». Les deux préséglages peuvent être sélectionnés dans le menu déroulant.

## Réinitialisation (« Reset »)

**Réinitialisation en mode usine (« Factory Reset »)** – Le bouton de réinitialisation permet de réinitialiser tous les paramètres et préséglages (globaux et DSP) pour revenir aux paramètres d'usine. Si vous appuyez sur celui-ci, la DEL d'alimentation de l'amplificateur se met à clignoter, puis l'appareil redémarre.

## Mise à jour (« Update »)

### Mise à jour du firmware (« Firmware Update »)

– Ce bouton permet d'installer le firmware (un fichier .bin) choisi par l'utilisateur. Si la mise à jour s'effectue correctement, une notification apparaît sur le portail Web. Suivez les instructions pour ensuite redémarrer l'amplificateur et retourner à la page des « Paramètres de base » (« Basic Setting »). La dernière version de notre firmware est disponible sur notre site [monitoraudio.com](http://monitoraudio.com)

**REMARQUE : Nous vous recommandons de vérifier votre firmware à chaque installation. La dernière version de notre firmware est disponible sur notre site [monitoraudio.com](http://monitoraudio.com).**

## Paramètres d'entrée/sortie (« Input/Output Settings »)

Vous pouvez ici configurer le routage de chaque entrée vers une sortie sélectionnée. Vous pouvez aussi configurer les paramètres de niveau de volume, de mode, de compensation de gain et de volume. C'est également à partir de cette option que vous pouvez activer les modes de l'amplificateur comme les modes de ligne 70 V (disponible uniquement sur le modèle IA800-2C) ou dérivation.



**REMARQUE : Certains changements apportés au portail Web ne seront pas visibles avant d'avoir rafraîchi manuellement la page ou d'avoir navigué sur l'une des autres pages.**

## Configuration d'entrée (« Input Setup »)

Vous pouvez voir ici tous les canaux d'entrée disponibles. Chaque nom d'entrée peut être personnalisé et le niveau du volume peut être ajusté pour chaque canal à +/- 6 dB. Le niveau du volume correspond au niveau d'entrée avant d'être amplifié.

## Configuration de sortie (« Output Setup »)

**Canal (« Channel »)** – Sélectionne un canal de sortie à modifier. Lorsque vous sélectionnez un canal dans un menu déroulant, ses canaux équivalents s'affichent également dans l'autre menu déroulant (par ex. si 1 GAUCHE (« 1 LEFT ») est sélectionné dans le menu déroulant de gauche, 1 DROITE (« 1 RIGHT ») apparaît dans le menu déroulant de droite).

**Nom de sortie (« Output Name »)** – Champ de texte pour le nom du canal de sortie.

**Stéréo/mono** – Sélection du mode stéréo/mono pour chaque canal. Si vous sélectionnez le mode mono, les canaux d'entrée G et D sont additionnés en mono sur les sorties sélectionnées.

**Préréglage DSP (« DSP Preset »)** – Sélectionne le préréglage DSP à appliquer au canal de sortie. Cette option est toujours sélectionnable de manière individuelle sur chaque canal, et n'est jamais connectée entre les paires stéréo.

**Zone de contrôle (« Control Zone »)** – Sélectionne A, B, C, D... (nombre de groupes = nombre de canaux de sortie). Cette option permet de regrouper les paramètres volume de sortie, volume activé et muet sur des canaux qui possèdent la même zone de contrôle sélectionné. Pour contrôler plusieurs canaux en une même zone.

**Mode amplificateur (« Amp Mode »)** – Choisit entre les modes stéréo et dérivation. Également utilisé pour sélectionner le mode 70 V sur le modèle IA800-2C.

## Volume de sortie (« Output Volume »)

**Canal (« Channel »)** – Sélectionne un canal de sortie à modifier. Lorsque vous sélectionnez un canal dans un menu déroulant, ses canaux équivalents s'affichent également dans l'autre menu déroulant, comme indiqué ci-dessus. Les options suivantes permettent de contrôler le canal de sortie sélectionné :

- Volume de sortie (« Output Volume ») - Vous trouverez un lien à ce propos dans la section « Volume de sortie » (Output Volume) du portail Web. Ajuster le cadran avant permet de modifier la valeur affichée sur la page Web (une fois rafraîchi). Le cadran ne peut pas être modifié via la page Web.

- Volume activé (« Turn On Volume »)

- Muet (« Mute »)

**Zone de contrôle (« Control Zone »)** – Sélectionne une zone de contrôle. Les options suivantes permettent de contrôler la zone de sortie sélectionnée :

- Volume maximum (« Maximum Volume »)

- Compensation de gain (« Gain Offset »)

## Source de sortie (« Output Source »)

**Canal (« Channel »)** – Sélectionne un canal de sortie pour modifier le routage. Lorsque vous sélectionnez un canal dans un menu déroulant, ses canaux équivalents s'affichent également dans l'autre menu déroulant, comme indiqué ci-dessus.

**Source 1** – Sélectionne la principale source d'entrée à router vers le canal sélectionné.

La source principale est toujours connectée en stéréo.

Par exemple, si 1 L est sélectionné pour le canal de gauche, 1 R sera automatiquement sélectionné pour le canal de droite.

**Source 2** – Sélectionne la deuxième source d'entrée à router vers le canal sélectionné.

La deuxième source peut être sélectionnée de manière individuelle et ne doit pas nécessairement être connectée en stéréo.

**Sélection de la source (« Source Select »)** – Sélectionne la source principale 2, la source 2 uniquement, ou un MIX.

Grâce à cette option, vous pouvez sélectionner la source 1, la source 2 ou un mix des deux sources à router vers le canal de sortie. Source par défaut : Source 1.

## Configuration du DSP

### (« DSP Configuration »)

Dans l'onglet de configuration du DSP, vous pouvez réaliser des ajustements fins du son en utilisant un égalisateur paramétrique à 10 bandes, que vous pouvez sauvegarder comme préréglages pour ensuite les exporter ou les importer.



**REMARQUE : Certains changements apportés au portail Web ne seront pas visibles avant d'avoir rafraîchi manuellement la page ou d'avoir navigué sur l'une des autres pages.**

## Attribution de préréglage (« Allocate Preset »)

**Canal de sortie (« Output Channel »)** – Sélectionne un canal à modifier et un préréglage DSP de sortie. Lorsque vous sélectionnez un canal dans un menu déroulant, son canal associé s'affiche également dans l'autre menu déroulant, comme indiqué ci-contre.

**Nom de sortie (« Output name »)** – Champ de texte pour le nom du canal. Si le nom est modifié ici, il sera également sur la page des paramètres d'entrée/sortie (« Input/Output Settings »).

**Préréglage DSP (« DSP Preset »)** – Sélectionne le préréglage DSP à appliquer au canal de sortie. Cette option peut toujours être sélectionnée de manière individuelle sur chaque canal, et n'est jamais connectée entre les paires stéréo.

## Signal Test (« Test Signal »)

**Canal de sortie (« Output Channel »)** – Sélectionne un canal de sortie vers lequel router le signal test. Lorsque vous sélectionnez un canal dans un menu déroulant, ses canaux équivalents s'affichent également dans l'autre menu déroulant, comme indiqué ci-après.

**Stimulus** – Sélectionne le bruit rose ou un canal d'entrée à router de manière provisoire vers le canal de sortie sélectionné.

**Volume sonore (« Volume Level »)** – Volume sonore du stimulus du canal sélectionné en dB.



**On/Off** – Allume ou éteint le stimulus sélectionné. S'éteint par défaut lorsque vous fermez la page de configuration du DSP.

Les deux préreglages peuvent être sélectionnés dans le menu déroulant.

Importation/exportation d'un préreglage (« Import/Export Preset »)

**Tous les préreglages (« All Presets »)** – Importe/exporte tous les préreglages DSP vers/depuis un fichier.

**Un seul préreglage (« Single Preset »)** – Importe/exporte le préreglage DSP actuellement sélectionné vers/depuis un fichier.

Duplication d'un préreglage (« Duplicate Preset »)

Copie un préreglage DSP « X » vers un préreglage « Y ».

Sélection/renommage d'un préreglage DSP

**Sélection d'un préreglage DSP (« Select DSP Preset »)** – Le préreglage sélectionné stocke automatiquement toutes les modifications apportées aux paramètres de l'égalisateur parmi les paramètres ci-dessous.

**Modification du nom d'un préreglage (« Edit Preset Name »)** – Champ de texte pour personnaliser le nom d'un préreglage.

**Réinitialisation (« Reset »)** – Réinitialise tous les noms et paramètres du préreglage actuellement sélectionné.

Graphique égalisateur (« EQ Graph »)

Montre les courbes des paramètres égalisateur.

Paramètre égalisateur (« EQ Parameter »)

10 bandes d'égalisateur paramétrique, possédant toutes les paramètres configurables suivants :

**Égalisateur – On/Off (« EQ – On/Off »)** – Utilisé pour activer ou désactiver la bande de fréquence afin d'appliquer les modifications de paramètre sélectionnées.

**Fréquence égalisateur (« EQ Frequency »)** – Il s'agit du point central de la plage de fréquences à laquelle les modifications sont appliquées.

**Égalisateur – Q (« EQ – Q »)** – Le facteur Q contrôle la plage qui sera boostée par l'égalisateur (avec une valeur de 0,3 à 24). Plus le facteur Q est bas, plus la plage est large (et plus le nombre de fréquences affectées, quelle que soit leur situation par rapport au point central, est élevé). Plus le facteur Q est élevé, plus la plage est étroite (et plus le nombre de fréquences affectées, quelle que soit leur situation par rapport au point central, est bas).

**Égalisateur – Gain +/- dB (« EQ – Gain +/- - dB »)** – Augmentation ou diminution du gain/volume à la fréquence sélectionnée.

Contrôle du basculement (« Tilt Control »)

C'est ici que vous pouvez paramétrer le changement de gain pour qu'il reste constant en dessous ou au-dessus d'une fréquence donnée. Appliquez un filtre de basculement égalisateur aux basses ou hautes fréquences en utilisant les paramètres configurables suivants :

**Basculement – On/Off (« Tilt On/ Off »)** – Utilisé pour activer ou désactiver le filtre égalisateur de basculement afin d'appliquer les modifications de paramètre sélectionnées.

**Fréquence (« Frequency »)** – Point de départ de la fréquence de l'ajustement du filtre de basculement.

**Gain** – Augmentation ou diminution du gain/volume.

## Crossover

C'est grâce à cette option que vous pouvez appliquer des filtres de crossover passe-haut (HP) ou passe-bas (LP). Cette possibilité s'avère utile lorsque vous utilisez des caissons de basses passifs (un filtre LP est alors utilisé) ou des petits caissons satellites qui ne peuvent pas prendre en charge les basses fréquences (filtre HP). Configurez les filtres passe-bas et passe-haut à l'aide des paramètres suivants :

**Crossover – On/Off** – Utilisé pour activer ou désactiver le filtre passe-haut ou passe-bas afin d'appliquer les modifications de paramètre sélectionnées.

**Fréquence de coupure (« Cut off Frequency »)** – Détermine le point - 6 dB de chaque filtre de crossover HP ou LP.

**Type de filtre (« Filter Type »)** – 6, 12, 18 ou 24 dB par octave pour chaque filtre de crossover HP ou LP. Plus le nombre de décibels est élevé, plus l'angle de coupure est prononcé sur la pente.

## Décalage (« Delay »)

Champ de texte permettant de sélectionner un décalage en millisecondes, en pieds ou en mètres.

Lorsqu'un nombre est saisi pour une unité, les deux autres unités sont calculées automatiquement.

## Limiteur (« Limiter »)

**Niveau (« Level »)** – Éteint, - 3 dB, - 6 dB ou - 9 dB.

Ce paramètre permet de maintenir le niveau d'un signal en dessous d'un seuil défini, afin d'empêcher tout gain supplémentaire au-dessus de ce point ainsi que le potentiel endommagement des enceintes.

## Codes de télécommande

### infrarouge

**Pour les modèles « connectés » (« Connect ») uniquement.**

Les amplificateurs « connectés » possèdent une entrée et une sortie IR compatibles avec les télécommandes universelles. Les commandes pour les amplificateurs suivent le protocole standard NEC et sont téléchargeables sur [monitoraudio.com](http://monitoraudio.com)

## Résolution des problèmes

### DEL indicateurs de panne :

#### **DEL blanche - écrêtage sur le canal/activation du mode protection**

Lorsque le signal d'entrée est trop élevé, la DEL du canal affiche une lumière blanche vive. Dans ce cas, diminuez le niveau de basculement de l'amplificateur ou le volume de la source audio.

#### **DEL blanche clignotante - protection thermique**

Nous vous recommandons dans ce cas d'éteindre l'amplificateur et de le laisser refroidir à température ambiante avant de le rallumer.

## Autres pannes :

### **Aucune alimentation**

Si l'amplificateur n'est pas alimenté, vérifiez le fusible de la prise principale (le cas échéant) ainsi que le fusible interne de l'amplificateur. Reportez-vous à la section « Aperçu des connexions » page 15.

### **Aucun son**

Vérifiez toutes les connexions et tous les câbles. Si l'amplificateur est un modèle « connecté », assurez-vous que les canaux sont routés correctement et qu'ils ne sont pas muets.

Si l'amplificateur est configuré en mode dérivation, assurez-vous que l'interrupteur/les paramètres et le câblage sont configurés correctement.

S'il n'y a toujours pas de signal de sortie ou si l'appareil reste en mode panne, veuillez contacter votre revendeur local ou Monitor Audio immédiatement.

## Garantie

Le savoir-faire et la performance de ce produit sont garantis contre les défauts de fabrication pour une période de **cinq** ans à partir de la date d'achat (voir conditions dans le livret d'instructions de sécurité importantes), dans la mesure où le produit a été fourni par un revendeur Monitor Audio agréé selon un accord de vente.

Pour nous aider à retrouver vos détails de garantie dans notre base de données client, le cas échéant, veuillez prendre quelques minutes pour enregistrer votre produit en ligne sur [monitoraudio.com](http://monitoraudio.com)

## Informations utilisateur

### Détails du produit

Modèle : \_\_\_\_\_

Numéro de série du produit : \_\_\_\_\_

Date d'achat : \_\_\_\_\_

### Informations du revendeur

Nom du revendeur : \_\_\_\_\_

Adresse : \_\_\_\_\_

\_\_\_\_\_

Code postal : \_\_\_\_\_

Adresse e-mail : \_\_\_\_\_

# Spécifications

Modèle :	IA150-2	IA60-12	IA200-2C	IA150-8C	IA800-2C	
<b>Contrôle IP connecté</b>	N/D	N/D	Oui	Oui	Oui	
<b>Nombre de canaux</b>	2 (une paire stéréo)	12 (6 paires stéréo)	2 (une paire stéréo)	8 (4 paires stéréo)	2 (une paire stéréo)	
<b>Alimentation (Watt/canal)</b>	4 ohms	150 W	60 W	200 W	150 W	800 W
	8 ohms	100 W	45 W	150 W	140 W	500 W
	Dérivation (8 ohms)	320 W (1 C)	100 W (6 C)	470 W (1 C)	300 W (4 C)	2000 W (1 C)
	70 V	N/D	N/D	N/D	N/D	800 W (2 C)
<b>Impédance en entrée</b>	20k ohms					
<b>Impédance en entrée (RCA boucle)</b>	600 ohms					
<b>Sensibilité d'entrée</b>	100 mV/1 W - 1000 mV Alimentation max.	100 mV/1 W - 700 mV Alimentation max.	100 mV/1 W - 1230 mV Alimentation max.	100 mV/1 W - 1140 mV Alimentation max.	100 mV/1 W - 2200 mV Alimentation max.	
<b>Tension d'entrée maximum (RMS)</b>	2,9 V					
<b>Rapport signal sur bruit (SN:R)</b>	-100 dB (20 Hz - 20 kHz)					
<b>Réponse en fréquence (-3 dB)</b>	5 Hz - 50 kHz					
<b>Distorsion harmonique totale (THD + N@1 kHz)</b>	0,03 % @ 1 W					
<b>Hauteur de rack</b>	1 U	2 U	1 U	2 U		
<b>Dimensions - Sans les pieds (H x L x P)</b>	42,4 x 438 x 427 mm 1 11/16 x 17 1/4 x 16 13/16 pouces	86,8 x 438 x 427 mm 3 7/16 x 17 1/4 x 16 13/16 pouces	42,4 x 438 x 427 mm 1 11/16 x 17 1/4 x 16 13/16 pouces		86,8 x 438 x 438 mm 3 7/16 x 17 1/4 x 16 13/16 pouces	
<b>Dimensions - Pieds compris (H x L x P)</b>	52,8 x 438 x 427 mm 2 1/16 x 17 1/4 x 16 13/16 pouces	97,2 x 438 x 427 mm 3 13/16 x 17 1/4 x 16 13/16 pouces	52,8 x 438 x 427 mm 2 1/16 x 17 1/4 x 16 13/16 pouces		97,2 x 438 x 438 mm 3 13/16 x 17 1/4 x 16 13/16 pouces	
<b>Largeur supports de rack inclus</b>	482 mm 19 pouces					
<b>Poids</b>	5,29 Kg (11 lb 10 oz)	7,34 Kg (16 lb 2 oz)	5,3 Kg (11 lb 10 oz)	7,45 Kg (16 lb 6 oz)	9,2 Kg (20 lb 4 oz)	
<b>Communication IP</b>	N/D	N/D	TCP/IP (RJ-45 10/100 Base T)			
<b>Tension de fonctionnement principale</b>	100-120 V @ 60 Hz, 220-240 V @ 50 Hz					
<b>Valeur des fusibles</b>	5 A (T5AL ~ 250 VAC)	10 A (T10AL ~ 250 VAC)	5 A (T5AL ~ 250 VAC)	10 A (T10AL ~ 250 VAC)	15 A (T15AL ~ 250 VAC)	
<b>Consommation électrique en mode veille</b>	<0.5 W (mode éco)/ <2W					

Monitor Audio se réserve le droit de modifier les spécifications sans notification préalable.

# Sommario



Introduzione	26	Connessione a una rete	31
Panoramica sui collegamenti	27	Configurazione dell'amplificatore "Connect" tramite il portale Web	32
IA150-2	27	Impostazioni di base (Basic Settings)	32
IA60-12	27	Impostazioni ingressi/uscite (Input/Output Settings)	33
IA200-2C	28	Configurazione DSP (DSP Configuration)	34
IA150-8C	28	Codici del telecomando IR	36
IA800-2C	29	Risoluzione dei problemi	36
Descrizione dei collegamenti	29	Garanzia	36
Indicatori LED	30	Informazioni per l'utente	36
Collegamento a ponte dei canali	30	Specifiche	37
Piedini	30		
Montaggio a rack dell'amplificatore	31		

## Introduzione

Gli amplificatori da installazione di Monitor Audio, progettati per offrire un'esperienza migliore e un minor ingombro, si basano su una tecnologia all'avanguardia che garantisce le migliori prestazioni audio in qualsiasi progetto d'installazione. Gli amplificatori multicanale possono essere utilizzati in un'ampia gamma di applicazioni in strutture residenziali e commerciali con potenza massima di 2000 watt. I canali audio possono essere raggruppati o collegati a ponte per installazioni flessibili, con la possibilità di configurare fino a 12 canali.

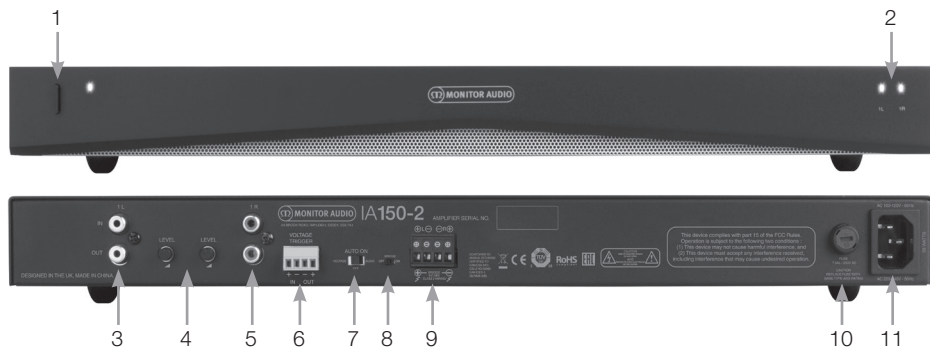
Abbiamo scelto gli amplificatori Hypex, apprezzati a livello mondiale, per assicurare l'affidabilità e la qualità del suono eccellente che ti aspetti da Monitor Audio, inserendoli in sottili case alti 1U e 2U, compatibili con la maggior parte dei rack, e offrendo al contempo un risparmio energetico del 93%.

Tutti gli amplificatori forniscono piena connettività con un semplice trigger di tensione cablato o rilevamento del segnale.

Gli amplificatori "Connect", dotati di un controllo DSP e IP più complesso, offrono maggiore flessibilità e capacità di integrazione.

# Panoramica sui collegamenti

## IA150-2



### PANNELLO FRONTALE

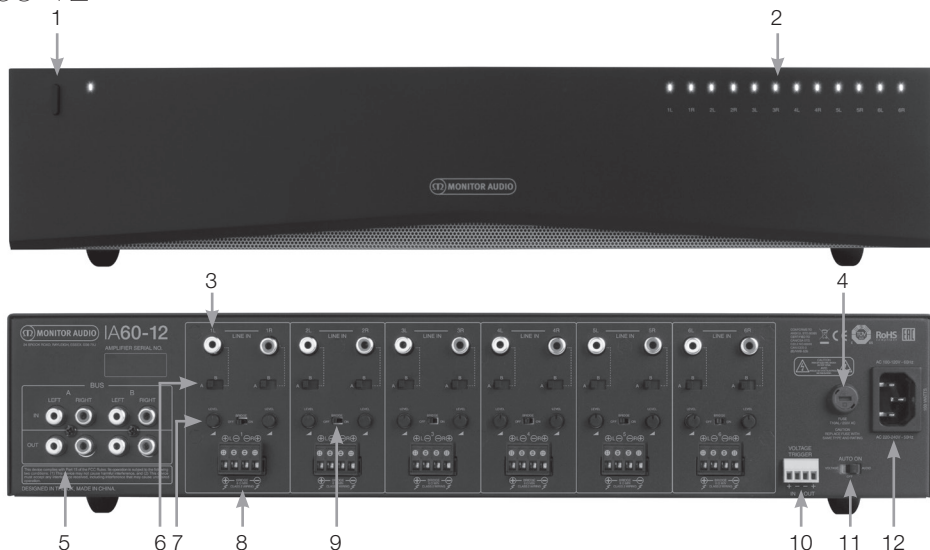
1. Pulsante ACCENSIONE (POWER)
2. LED indicatore del canale

### PANNELLO POSTERIORE

3. Ingresso/Uscita RCA per il canale sinistro
4. Controllo del livello del volume
5. Ingresso/Uscita RCA per il canale destro
6. Ingresso/Uscita per il trigger
7. Interruttore di auto-accensione

8. Interruttore di accensione/spengimento del collegamento a ponte diffusore
9. Connettore per il blocco diffusore
10. Portafusibili CA
11. Connettore per il cavo di alimentazione

## IA60-12



### PANNELLO FRONTALE

1. Pulsante ACCENSIONE (POWER)
2. LED indicatore del canale

### PANNELLO POSTERIORE

3. Ingressi RCA di canale
4. Portafusibili CA
5. Ingresso/Uscita RCA per il bus
6. Interruttore per gli ingressi di canale
7. Controllo del livello del volume
8. Connettore per il blocco diffusore

9. Interruttore di accensione/spengimento del collegamento a ponte diffusore
10. Ingresso/Uscita per il trigger
11. Interruttore di auto-accensione
12. Connettore per il cavo di alimentazione

## IA200-2C



### PANNELLO FRONTALE

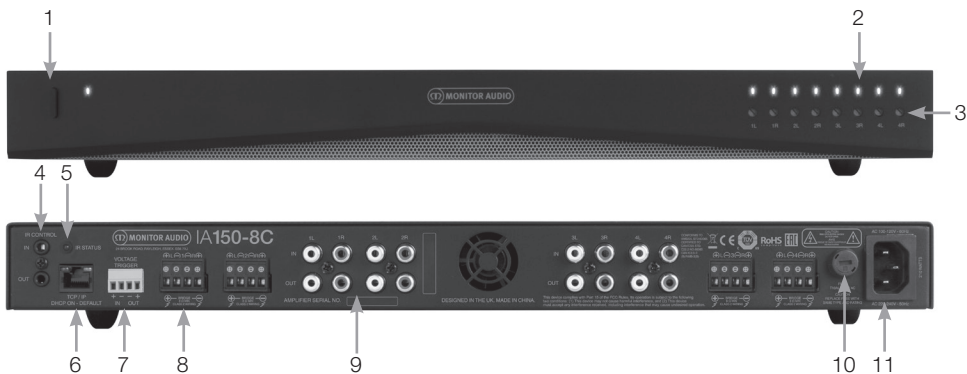
1. Pulsante ACCENSIONE (POWER)
2. LED indicatore del canale
3. Controllo del volume in uscita

### PANNELLO POSTERIORE

4. Ingresso e uscita controllo IR
5. LED dello stato IR
6. Ingressi/Uscite RCA di canale
7. Ingresso/Uscita per il trigger di tensione

8. Connettore Ethernet (RJ-45)
9. Connettore per il blocco diffusore
10. Portafusibili CA
11. Connettore per il cavo di alimentazione

## IA150-8C



### PANNELLO FRONTALE

1. Pulsante ACCENSIONE (POWER)
2. LED indicatore del canale
3. Controllo del volume in uscita

### PANNELLO POSTERIORE

4. Ingresso/Uscita controllo IR
5. LED dello stato IR
6. Connettore Ethernet (RJ-45)
7. Ingresso/Uscita per il trigger di tensione

8. Connettore per il blocco diffusore
9. Ingressi/Uscite RCA di canale
10. Portafusibili CA
11. Connettore per il cavo di alimentazione

IA800-2C



### PANNELLO FRONTALE

1. Pulsante ACCENSIONE (POWER)
2. LED indicatore del canale
3. Controllo del volume in uscita

### PANNELLO POSTERIORE

4. Connettore per il blocco diffusore
5. Ingressi/Uscite RCA di canale
6. Ingresso/Uscita per il trigger di tensione
7. Ingresso/Uscita controllo IR
8. LED dello stato IR
9. Connettore Ethernet (RJ-45)
10. Portafusibili CA
11. Connettore per il cavo di alimentazione

## Descrizione dei collegamenti

### Portafusibili CA

In questo scomparto è alloggiato il fusibile interno dell'amplificatore; qualora si rendesse necessario sostituire il fusibile, è possibile aprire lo scomparto inserendo un cacciavite (o un altro oggetto a taglio) e ruotandolo poi in senso antiorario. Per le specifiche del fusibile, consultare le informazioni stampate sul prodotto, sotto il portafusibili.

### Pulsante ACCENSIONE (POWER)

Si tratta dell'interruttore principale dell'amplificatore. Assicurarsi che l'amplificatore venga spento quando non viene utilizzato per lunghi periodi di tempo.

### Controllo del volume in uscita

#### Solo per i modelli "Connect".

Per aumentare o diminuire il volume in uscita, utilizzare un cacciavite piccolo a taglio. Questo controllo è collegato con il "Volume in uscita" ("Output Volume") sul portale Web. Fare riferimento a pagina 34. Ruotare in senso antiorario in caso di clipping/distorsione (come indicato dal LED di canale sul pannello frontale) o in senso orario per aumentare il volume.

### Ingressi RCA di canale

Connettori RCA stereo sinistro e destro per il collegamento di sorgenti audio. Modelli con un numero superiore di canali, come lo IA60-12, avranno più ingressi per il numero di canali in uscita disponibili.

### Uscite RCA di canale

Connettori stereo RCA sinistro e destro per il collegamento di dispositivi di riproduzione esterni, quali i subwoofer attivi, o di amplificatori aggiuntivi.

### Controllo del livello del volume

#### Solo per IA150-2 e IA60-12.

Utilizzato per aumentare o diminuire il volume in uscita. Diminuire in caso di clipping dei diffusori, aumentare se il volume è troppo basso.

### Connettore Ethernet (RJ-45)

#### Solo per i modelli "Connect".

Utilizzato per il collegamento a una rete cablata. Una volta collegato, l'amplificatore risulterà visibile agli altri dispositivi sulla rete. Per informazioni sull'impostazione dell'amplificatore "Connect", consultare pagina 32.

### Ingresso e uscita del trigger di tensione

È possibile collegare il trigger con l'ingresso/uscita di un altro dispositivo. Quando viene utilizzato l'ingresso, l'amplificatore si accende e si spegne insieme al dispositivo collegato. Quando un dispositivo viene collegato con l'uscita, questo si accende e si spegne insieme all'amplificatore.

## Interruttore di auto-accensione

### Solo per IA150-2 e IA60-12.

I valori di impostazione sono tre: Tensione (Voltage), Audio e Spento (Off). Con l'impostazione Tensione (Voltage), il metodo di trigger viene utilizzato per far riattivare l'amplificatore dallo stato di stand-by. Con l'impostazione Audio, l'amplificatore esce dallo stato di stand-by in presenza del segnale audio. Tornerà in stand-by dopo 15 minuti di assenza del segnale. Con l'impostazione Spento (Off), l'amplificatore può essere acceso e spento solo manualmente.

## Interruttore del collegamento a ponte

### Solo per IA150-2 e IA60-12.

Attiva o disattiva la modalità di collegamento a ponte: quando la modalità viene attivata, due uscite vengono combinate per produrre maggior potenza in uscita.

## Ingressi RCA per il bus

### Solo per IA60-12.

Ingressi RCA stereo sinistro e destro per il collegamento di sorgenti audio. A differenza dei connettori RCA di canale, gli ingressi RCA per il bus possono essere instradati verso canali di uscita multipli.

## Uscite RCA per il bus

### Solo per IA60-12.

Uscite RCA stereo sinistra e destra. Da utilizzare per il collegamento daisy chain del segnale d'ingresso del bus con dispositivi esterni/amplificatori aggiuntivi.

## Interruttore del bus

### Solo per IA60-12.

Seleziona l'ingresso della sorgente audio per il canale sull'amplificatore.

## Connettore per il blocco diffusore

È possibile utilizzare cavi con sezione non superiore a 12 per il collegamento dei diffusori; consultare la colonna successiva in questa pagina.

## Ingresso IR

Collegare un ricevitore a infrarossi a questo ingresso per controllare l'amplificatore attraverso telecomandi programmabili. Fare riferimento alla pagina 36 per informazioni relative a comandi/codici esadecimale discreti.

## Uscita IR

Da utilizzare con un ripetitore a infrarossi o per collegare l'ingresso IR su altri amplificatori; questo consente a più dispositivi di ricevere lo stesso comando emesso da un solo telecomando. Ad esempio, un solo comando di accensione/spengimento può essere utilizzato per tutti gli amplificatori da installazione presenti nell'intero rack anziché per le singole unità.

## Indicatori LED

### LED dell'alimentazione (LED arancione):

LED arancione tenue - Modalità stand-by

LED arancione intenso - Acceso

LED arancione intenso lampeggiante - Modalità identificazione o in aggiornamento

### LED di canale (LED doppio arancione/bianco)

LED spento - Segnale assente

LED arancione - Segnale presente

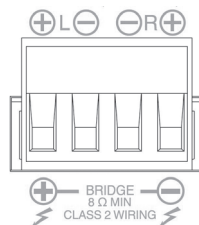
LED bianco - Clipping sul canale oppure amplificatore in modalità protezione

LED bianco lampeggiante - Protezione termica

In caso di pattern luminosi corrispondenti a clipping o protezione termica, è necessario diminuire il volume; se il problema persiste, fare riferimento alla sezione relativa alla risoluzione dei problemi, a pagina 36.

## Collegamento dei diffusori

Tutti gli amplificatori sono dotati di connettori per blocchi diffusori che garantiscono un collegamento sicuro e protetto con i diffusori; è possibile rimuovere i blocchi per comodità di accesso. Allentare le viti poste sopra il blocco diffusore con un cacciavite a taglio e inserire il cavo del diffusore, di diametro non superiore a 12, nelle fessure frontali. Stringere le viti per bloccare il cavo del diffusore.

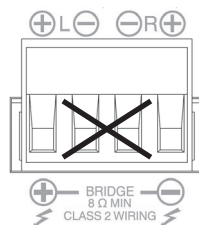


## Collegamento a ponte dei canali



**ATTENZIONE: l'impedenza minima del diffusore per l'operazione di collegamento a ponte è di 8 Ohm. Non collegare in modalità ponte diffusori con impedenza nominale inferiore a 8 Ohm.**

1. Impostare l'interruttore PONTE (BRIDGE) della zona in posizione ACCESO (ON); fare riferimento alla sezione Panoramica sulle connessioni.
2. Collegare il filo "+" del diffusore con il connettore "+" del canale sinistro e il filo "-" del diffusore con il connettore "+" del canale destro. Le uscite "-" non sono utilizzate.

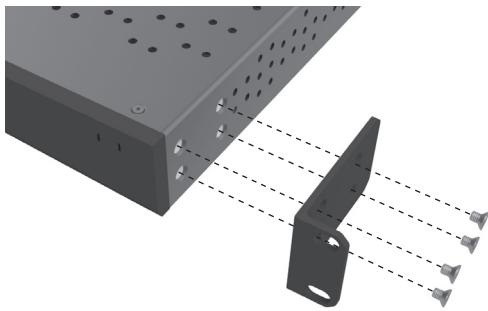




Tutti i modelli di amplificatore sono dotati di quattro piedini di gomma per l'installazione senza rack. Per applicare i piedini è sufficiente avvitarli nei quattro inserti filettati presenti sulla base del diffusore.

## Montaggio a rack dell'amplificatore

Tutti i modelli di amplificatore vengono forniti con fissaggi a staffa per il montaggio in rack standard da 19". Per montare le staffe, è sufficiente rimuovere le quattro viti poste su ciascun lato dell'amplificatore in posizione anteriore. Posizionare le staffe sui fori appena liberati e utilizzare le stesse viti per fissare le staffe.



## Alimentazione dell'amplificatore

Tutti i modelli sono forniti con un cavo di alimentazione IEC. Ogni volta che il cavo di alimentazione dell'amplificatore viene collegato e l'interruttore di alimentazione viene acceso, tutte le uscite di canale restano scollegate per circa 12 secondi e tutti i LED indicatori di canale si illuminano brevemente durante l'avvio dell'amplificatore.



**NOTA: non alimentare la presa a muro prima di aver effettuato tutti i collegamenti del sistema.**

## Connessione a una rete



**NOTA: solo per i modelli "Connect".**

1. Collegare l'amplificatore a uno switch di rete con un cavo Ethernet. Assicurarsi che computer e amplificatore non siano collegati alla stessa rete.
  2. Accendere l'amplificatore.
  3. All'amplificatore sarà assegnato un indirizzo IP dallo switch di rete.
  4. Avviare un'applicazione per la rilevazione di indirizzi IP come "Advanced IP Scanner" (solo per Windows), che è disponibile per il download all'indirizzo:  
[https:// www.advanced-ip-scanner.com](https://www.advanced-ip-scanner.com)
  5. Avviare "Advanced IP Scanner" (o l'applicazione scelta) e immettere l'intervallo degli indirizzi IP della rete (gestiti dal proprio router) nella barra di ricerca posta in alto. Fare clic su Scansione (Scan) per avviare la ricerca.
  6. Per andare alla pagina Web di configurazione dell'amplificatore, fare doppio clic sull'indicatore dell'elenco a discesa che si trova a fianco dell'indirizzo IP dell'amplificatore nell'elenco.
- In alternativa, tutti gli indirizzi IP di rete sono accessibili dalla pagina di configurazione del router.

L'indirizzo IP dell'amplificatore, una volta noto, può essere inserito nel browser Web desiderato per consentire l'accesso al portale Web.

# Configurazione dell'amplificatore "Connect" tramite il portale Web Impostazioni di base (Basic Settings)

Le impostazioni generali di base dell'amplificatore possono essere modificate e salvate qui. Nella sezione seguente vengono descritte tutte le funzioni di questa scheda.



**NOTA: alcune modifiche apportate nel portale Web non saranno visibili prima di un aggiornamento manuale della pagina o dello spostamento a un'altra pagina.**

**MONITOR AUDIO** Basic Settings Input/Output Settings DSP Configuration

**Information**

Device Name \_\_\_\_\_  
Device Model IA200-2C  
Customer Name \_\_\_\_\_  
Dealer Name \_\_\_\_\_  
Installer Name \_\_\_\_\_  
Installation Date \_\_\_\_\_  
Firmware Version V1.30  
Serial Number 7307261711

**Power On Method**

Power On Method Power Button  
Delay 0 Seconds

**Load Global Preset**

Active Global Preset Global Preset1  
Select Global Preset Global Preset1  
Edit Preset Name Global Preset1

**Import/Export Global Preset**

All Presets Import Export  
Single Preset Global Preset1  
Import Export

**Reset**

Factory Reset Reset

**Network**

DHCP On  
IP Address 192.168.68.35  
IP Subnet Mask 255.255.255.0

**Identification Mode**

Flash Power Switch Off

**Print**

Print - All Settings Print

**Save & Restore**

Save Restore

**Duplicate Global Preset**

From Global Preset1  
To Global Preset1 Duplicate

**Update**

Firmware Update Update

## Informazioni (Information)

In questo pannello è possibile assegnare un nome all'amplificatore e immettere i dati di installazione per uso futuro. Qui sono visualizzati, senza possibilità di modifica, modello, versione del firmware e numero di serie dell'amplificatore.

## Rete (Network)

**Indirizzo IP (IP Address):** mostra l'indirizzo IP corrente utilizzato quando il DHCP è acceso (ON). Quando il DHCP è spento (OFF) è possibile immettere l'indirizzo IP statico desiderato.

**Maschera di sottorete IP (IP Subnet Mask):** mostra la maschera di sottorete IP corrente utilizzata quando il DHCP è acceso (ON). Quando il DHCP è spento (OFF) è possibile immettere la maschera di sottorete IP desiderata.



**NOTA: in caso di modifica dell'indirizzo IP o della maschera di sottorete, il nuovo indirizzo IP deve essere immesso nel browser affinché sia di nuovo visibile il portale Web dell'amplificatore.**

## Modalità identificazione (Identification Mode)

Quando questa opzione viene attivata (ON), il LED frontale di alimentazione inizia a lampeggiare. Questo serve per individuare l'amplificatore in corso di configurazione nel caso in cui si utilizzino più amplificatori.

## Stampa (Print)

Premere Stampa (Print) per aprire una pagina stampabile con tutte le impostazioni correnti dell'amplificatore.

## Accensione (Power ON)

In questo pannello è possibile selezionare il metodo di accensione più adatto per la propria installazione tra quelli descritti qui sotto. È inoltre possibile impostare l'accensione ritardata di 0-20 secondi: ciò è utile quando si desidera accendere una serie di amplificatori in una determinata sequenza.

**Pulsante di accensione (Power Button):** disattiva il rilevamento di segnale e del trigger di tensione. Lo stato dell'alimentazione è controllato solo dal pulsante di accensione sull'unità.

**Audio:** questa modalità utilizza il rilevamento del segnale per accendere l'amplificatore. Inoltre, la comunicazione di rete resta attiva. In questa modalità, l'amplificatore consuma fino a 2 W in stand-by.

**Trigger di tensione (Voltage Trigger):** accende l'amplificatore con trigger di tensione a 12 V.

**Audio Green:** questa modalità utilizza il rilevamento del segnale per accendere l'amplificatore. Tornerà in stand-by dopo 15 minuti di assenza del segnale. Quando l'amplificatore entra in stand-by, la comunicazione di rete viene disattivata; per riattivarla è necessario far uscire l'amplificatore dallo stand-by. In questa modalità, l'amplificatore in stand-by non consuma più di 0,5 W.

**Tensione Green (Voltage Green):** questa modalità utilizza il trigger di tensione per accendere e spegnere l'amplificatore. Quando l'amplificatore entra in stand-by, la comunicazione di rete viene disattivata; per riattivarla è necessario far uscire l'amplificatore dallo stand-by. **NOTA:** in questa modalità, l'amplificatore in stand-by non consuma più di 0,5 W.

## Salvataggio e ripristino (Save & Restore)

In questo pannello è possibile salvare tutte le impostazioni in un file che può essere utilizzato per il ripristino in caso di necessità.

## Caricamento set globale di impostazioni

predefinite (Load Global Preset)

**Set globale di impostazioni predefinite attivo (Active Global Preset):** mostra il set globale di

impostazioni predefinite attivo (viene visualizzato il nome

del set attivo, che non può essere modificato); per tornare alle impostazioni di default è necessario utilizzare il pulsante di ripristino.

Modalità di alimentazione	Alimentazione in stand-by	Comunicazione di rete in stand-by
<b>Pulsante ACCENSIONE (Power)</b>	N.D.	N.D.
<b>Audio</b>	2 W	Sì
<b>Trigger di tensione</b>	2 W	Sì
<b>Audio Green</b>	0,5 W	No
<b>Tensione Green</b>	0,5 W	No

**Selezione il set globale di impostazioni predefinite (Select Global Preset):** nel menu a discesa, consente di selezionare il set che si desidera modificare e applicare.

Per attivare il set selezionato e riavviare l'amplificatore, premere il pulsante Carica (Load) accanto al menu a discesa e confermare nel messaggio di popup. Il set globale di impostazioni predefinite attivo viene modificato quando viene aggiornata la pagina Web.

**Modifica il nome del set di impostazioni (Edit Preset name):** campo di testo per la modifica del set di impostazioni selezionato nel menu a discesa.

Importazione/Esportazione set globale di impostazioni predefinite (Import/ Export Global Preset)

**Tutti i set (All Presets):** importa/Esporta tutti i set globali di impostazioni predefinite in/da un file.

**Un solo set (Single Preset):** importa/Esporta un solo set globale di impostazioni predefinite in/da un file.

Duplicazione set globale di impostazioni predefinite (Duplicate Global Preset)  
Copia il set globale "X" nel set globale "Y". Entrambi i set possono essere selezionati dal menu a discesa.

**Ripristino (Reset)**

**Ripristina valori di fabbrica (Factory Reset):** il pulsante Ripristino (Reset) ripristina tutte le impostazioni e tutti i set (globali e DSP) di impostazioni predefinite ai valori di fabbrica. Quando viene premuto, il LED di alimentazione dell'amplificatore inizia a lampeggiare, prima del riavvio.

**Aggiornamento (Update)**

**Aggiornamento firmware (Firmware Update):** questo pulsante installa il firmware (file .bin) scelto dall'utente. Quando l'aggiornamento è completato, viene visualizzata una notifica sul portale Web. Seguire gli avvisi per riavviare l'amplificatore e tornare alla pagina "Impostazioni di base" ("Basic Settings"). L'ultima versione del firmware è disponibile per il download sul sito Internet: [monitoraudio.com](http://monitoraudio.com)

**NOTA: si raccomanda di controllare la versione del firmware ad ogni installazione. L'ultima versione del firmware è disponibile per il download sul sito Internet: [monitoraudio.com](http://monitoraudio.com)**

## Impostazioni ingressi/uscite (Input/ Output Settings)

In questa scheda è possibile configurare l'instradamento per ciascun ingresso verso l'uscita selezionata. È anche possibile impostare parametri individuali di livello trim, modalità, offset di guadagno e volume. Sempre su questa scheda, è possibile attivare modalità dell'amplificatore quali la linea a 70 V (solo per IA800-2C) o il collegamento a ponte.



**NOTA: alcune modifiche apportate nel portale Web non saranno visibili prima di un aggiornamento manuale della pagina o dello spostamento a un'altra pagina.**

### Impostazione ingressi (Input Setup)

In questo pannello vengono mostrati tutti i canali d'ingresso disponibili. È possibile personalizzare il nome di ciascun ingresso e regolare il livello trim di ciascun canale di +/-6 dB. Il Livello trim (Trim Level) è il livello dell'ingresso prima dell'amplificazione.

### Impostazione uscite (Output Setup)

**Canale (Channel):** permette di selezionare un canale di uscita per la modifica. Quando si seleziona un canale nel menu a discesa, i canali equivalenti vengono mostrati nell'altro menu a discesa (ad esempio, se il canale 1 LEFT viene selezionato nel menu a discesa di sinistra, il canale 1 RIGHT verrà mostrato nel menu a discesa di destra).

**Nome uscita (Output Name):** campo d'inserimento testo per l'immissione del nome del canale di uscita.

**Stereo/Mono:** selezionare Stereo/Mono per ciascun canale. In modalità Mono, i canali d'ingresso sinistro (L) e destro (R) saranno sommati in mono per gli ingressi selezionati.

**Set DSP di impostazioni predefinite (DSP Preset):** selezionare il set DSP di impostazioni predefinite da applicare al canale di uscita. Questo set sarà sempre selezionabile individualmente su ciascun canale e mai collegato tra coppie stereo.

**Zona di controllo (Control Zone):** selezionare A, B, C, D, ... (numero di gruppi = numero di canali di uscita). Sono qui raggruppate le impostazioni Volume in uscita (Output Volume), Attiva volume (Turn On Volume) e Disattiva audio (Mute) nei canali che hanno la stessa Zona di controllo (Control Zone) selezionata. Questo consente di controllare più canali raccolti in una stessa zona.

**Modalità amp (Amp Mode):** scegliere un'opzione tra modalità Stereo e Collegamento a ponte (Bridged). Consente inoltre di selezionare la modalità a 70 V sul modello IA800-2C.

## Volume in uscita (Output Volume)

**Canale (Channel):** selezionare un canale di uscita da modificare. Quando si seleziona un canale nel menu a discesa, i canali equivalenti vengono mostrati nell'altro menu a discesa, come descritto in precedenza. Le seguenti opzioni consentono di controllare l'uscita del canale selezionato:

- Volume in uscita (Output Volume): collegato al selettore di controllo sul pannello frontale. La regolazione del selettore sul pannello frontale modifica il valore sulla pagina Web (dopo l'aggiornamento). La posizione del selettore non muta a seguito di una regolazione effettuata sulla pagina Web.
- Attiva volume (Turn On Volume)
- Disattiva audio (Mute)

**Zona di controllo (Control Zone):** selezionare la Zona di controllo (Control Zone). Le seguenti opzioni consentono di controllare l'uscita della zona selezionata:

- Volume massimo (Maximum Volume)
- Offset di guadagno (Gain Offset)

## Sorgente di uscita (Output Source)

**Canale (Channel):** selezionare un canale di uscita per modificare l'instradamento. Quando si seleziona un canale nel menu a discesa, i canali equivalenti vengono mostrati nell'altro menu a discesa, come descritto in precedenza.

**Sorgente 1 (Source 1):** selezionare la sorgente d'ingresso primaria da instradare verso il canale selezionato.

La sorgente primaria è sempre collegata in stereo: se, ad esempio, viene selezionato 1L per il canale sinistro, 1R verrà automaticamente selezionato per il canale destro.

**Sorgente 2 (Source 2):** selezionare la sorgente d'ingresso secondaria da instradare verso il canale selezionato.

La sorgente secondaria può essere selezionata individualmente e non deve essere collegata in stereo.

**Selezione sorgente (Source Select):** scegliere un'opzione tra: Priorità sorgente 2 (Priority Source 2), Solo sorgente 1 (Source 1 Only) o MIX.

In questo modo si può decidere di instradare la Sorgente 1 (Source 1), la Sorgente 2 (Source 2) o un MIX delle due verso il canale di uscita selezionato. Impostazione predefinita: Sorgente 1 (Source 1).

# Configurazione DSP (DSP Configuration)

Nella scheda Configurazione DSP (DSP Configuration) è possibile effettuare le regolazioni finali del suono utilizzando un equalizzatore parametrico a 10 bande. Queste possono poi essere salvate come set di impostazioni predefinite e quindi esportate e importate.



**NOTA: alcune modifiche apportate nel portale Web non saranno visibili prima di un aggiornamento manuale della pagina dello spostamento a un'altra pagina.**

The screenshot displays the DSP Configuration interface for a Monitor Audio device. At the top, there are navigation tabs for 'Basic Settings', 'Input/Output Settings', and 'DSP Configuration'. The main content area is organized into several functional blocks:

- Allocate Preset:** Allows setting Output Channel (1 LEFT, 1 RIGHT), Output Name (Output 1L, Output 1R), and DSP Preset (Preset OFF).
- Test Signal:** Provides a test signal with Stimulus (Pink Noise), Volume Level (-20), and On/Off options.
- Import/Export Preset:** Features buttons for Import, Export, and Single Preset.
- Duplicate Preset:** Includes From and To dropdowns and a Duplicate button.
- Select DSP Preset:** A dropdown menu currently showing 'Preset1'.
- Edit Preset Name:** A text input field for 'Preset1' and a Reset button.
- EQ Graph:** A frequency response graph with a logarithmic x-axis (20 to 20000 Hz) and a linear y-axis (-18dB to 18dB).
- EQ Parameter:** A table for 10 EQ bands (EQ1-EQ10) with columns for On/Off, Frequency, EQ-Q, and EQ - Gain +/- dB.
- Tilt Control:** Controls for Low Tilt and High Tilt, including Frequency and Gain settings.
- Crossover:** Settings for LP Crossover and HP Crossover, including Frequency and Filter Type.
- Delay:** Input fields for delay in milliseconds, feet, and meters.
- Limiter:** A Level control dropdown menu.

## Allocazione set di impostazioni predefinite (Allocate Preset)

**Canale di uscita (Output Channel):** selezionare un canale da modificare e il set DSP di impostazioni predefinite dell'uscita. Quando si seleziona un canale nel menu a discesa, nell'altro menu a discesa viene mostrato quello associato.

**Nome uscita (Output Name):** campo d'inserimento testo per l'immissione del nome del canale. Se il nome viene modificato, la modifica viene riportata anche nella pagina Impostazioni ingressi/uscite (Input/ Output Settings).

**Set DSP di impostazioni predefinite (DSP Preset):** selezionare il set DSP di impostazioni predefinite da applicare al canale di uscita. Questo set sarà sempre selezionabile individualmente su ciascun canale e mai collegato tra coppie stereo.

## Segnale di test (Test Signal)

**Canale di uscita (Output Channel):** selezionare un canale verso il quale instradare il segnale di test. Quando si seleziona un canale nel menu a discesa, nell'altro menu a discesa vengono mostrati i canali equivalenti, come descritto in precedenza.

**Stimolo (Stimulus):** selezionare Rumore rosa (Pink Noise) o un qualsiasi canale d'ingresso per l'instradamento temporaneo dell'uscita selezionata.

**Livello del volume (Volume Level):** livello del volume di stimolo in dB per il canale selezionato.

**Attivazione/Disattivazione (On/Off):** attiva (On) o disattiva (Off) lo stimolo selezionato. Viene disattivata (Off) per impostazione predefinita all'uscita dalla pagina Configurazione DSP (DSP Configuration).

## Importazione/Esportazione set di impostazioni predefinite (Import/Export Preset)

**Tutti i set (All Presets):** importa/esporta tutti i set DSP di impostazioni predefinite in/da un file.

**Un solo set (Single Preset):** importa/esporta il set DSP di impostazioni predefinite selezionato in/da un file.

## Duplicazione set di impostazioni predefinite (Duplicate Preset)

Copia il set DSP "X" nel set DSP "Y". Entrambi i set possono essere selezionati dal menu a discesa.

## Selezione/Modifica nome del set DSP di impostazioni predefinite (Select/Rename DSP Preset)

**Seleziona set DSP di impostazioni predefinite (Select DSP Preset):** il set DSP selezionato archivia automaticamente tutte le modifiche delle impostazioni EQ effettuate con le opzioni descritte qui sotto.

**Modifica nome set DSP di impostazioni predefinite (Edit Preset Name):** campo d'inserimento testo per assegnare un nome personalizzato al set.

**Ripristino (Reset):** ripristina tutti i nomi e le impostazioni del set selezionato tornando alle impostazioni di default.

## Grafico EQ (EQ Graph)

Mostra la curva delle impostazioni EQ.

## Parametro EQ (EQ Parameter)

10 bande di EQ parametrico, ognuna con le seguenti impostazioni configurabili:

**EQ – Attivazione/Disattivazione (EQ – On/Off):** consente di attivare la banda di frequenza e applicare le modifiche dei parametri.

**Frequenza EQ (EQ Frequency):** è il punto centrale nell'ampiezza di banda della frequenza a cui vengono applicate le modifiche.

**EQ – Q:** il fattore di merito Q controlla l'ampiezza di banda che viene amplificata dall'equalizzatore (in un intervallo tra 0,3-24). Quanto più basso è il fattore Q, tanto più larga è l'ampiezza di banda (e più numerose sono quindi le frequenze interessate ai lati del punto centrale). Più alto è il fattore Q, più stretta è la banda (e meno numerose sono quindi le frequenze interessate).

**EQ – Guadagno +/- dB (EQ – Gain +/- dB):** incremento o decremento di guadagno/volume alla frequenza selezionata.

## Controllo del tilt (Tilt Control)

Questo pannello consente di impostare una variazione di guadagno perché resti costantemente al di sotto o al di sopra di una frequenza impostata. Per abbassare o alzare le frequenze, applicare un Filtro EQ Tilt (Tilt EQ Filter) utilizzando le impostazioni configurabili descritte di seguito:

**Attivazione/Disattivazione tilt (Tilt – On/Off):** consente di attivare il Filtro EQ Tilt (Tilt EQ Filter) Alto (High) e Basso (Low) e applicare le modifiche dei parametri.

**Frequenza (Frequency):** punto iniziale della frequenza della regolazione filtro di tilt.

**Guadagno (Gain):** incremento o decremento di guadagno/volume.

## Crossover

Questo pannello consente di applicare i filtri di crossover Passa alti (High Pass - HP) o Passa bassi (Low Pass - LP). Ciò risulta utile quando si utilizzano i subwoofer passivi (filtro LP) o piccoli satelliti che non sono in grado di gestire le basse frequenze (filtro HP). Impostare i filtri Passa alti (High Pass) o Passa bassi (Low Pass) utilizzando le impostazioni configurabili descritte di seguito:

**Attivazione/Disattivazione crossover (Crossover On/Off):** consente di attivare i filtri Passa alti (High Pass) o Passa bassi (Low Pass) e applicare le modifiche dei parametri.

**Frequenza di taglio (Cut off Frequency):** impostare il punto -6 dB per ciascun filtro di crossover HP e LP.

**Tipo di filtro (Filter Type):** per ciascuno dei filtri crossover HP e LP, è possibile selezionare un valore tra 6, 12, 18, 24 dB per ottava. Quanto più alto è il numero, tanto più ripido è l'angolo di taglio della pendenza.

### Ritardo (Delay)

Campi d'inserimento testo per selezionare il ritardo espresso in millisecondi, piedi o metri.

Quando si immette un valore per un'unità di misura, le altre due unità vengono calcolate automaticamente.

### Limitatore (Limiter)

**Livello (Level):** livello del limitatore, con valore selezionabile tra: Off, -3 dB, -6 dB, -9 dB. Serve per limitare il livello di un segnale al di sopra della soglia impostata, evitando qualsiasi guadagno aggiuntivo al di sopra di questo valore e possibili danni ai diffusori.

## Codici del telecomando IR

### Solo per i modelli "Connect".

Gli amplificatori "Connect" dispongono di un ingresso e un'uscita IR per l'utilizzo di telecomandi universali.

I comandi per gli amplificatori seguono il protocollo standard NEC e possono essere scaricati dal sito Internet: **monitordaudio.com**

## Risoluzione dei problemi

### Indicatori LED di errore:

#### **LED bianco - Clipping sul canale/amp in modalità protezione**

Se il LED di canale è bianco fisso, significa che il segnale d'ingresso è troppo elevato. In questa situazione è necessario abbassare il livello trim dell'amplificatore oppure il volume della sorgente audio.

#### **LED bianco lampeggiante - Protezione termica**

In questa situazione si raccomanda di spegnere l'amplificatore e di lasciarlo raffreddare fino a raggiungere la temperatura dell'ambiente prima di riaccenderlo.

### Altri errori:

#### **Alimentazione assente**

Se l'amplificatore non è alimentato, controllare il fusibile all'interno della presa (se presente) e il fusibile all'interno degli amplificatori. Fare riferimento alla sezione Panoramica sui collegamenti, a pagina 27.

#### **Audio assente**

Controllare attentamente tutti i collegamenti e i cavi; nel caso di amplificatore "Connect" assicurarsi che i canali siano instradati correttamente e non silenziati.

Se l'amplificatore è configurato in modalità a ponte, assicurarsi che switch/impostazioni e cablaggio siano configurati correttamente.

Se ancora non emette segnale o è ancora in modalità Errore, contattare immediatamente il rivenditore/distributore locale o Monitor Audio.

## Garanzia

Sia la struttura che le prestazioni di questo prodotto sono garantite prive di difetti di fabbricazione per **cinque** anni a partire dalla data di acquisto (leggere le condizioni nel libretto relativo alle informazioni importanti sulla sicurezza), posto che il prodotto sia stato fornito da un rivenditore autorizzato Monitor Audio con contratto di vendita.

Per aiutarci a trovare i dati della garanzia nel database dei clienti in caso di necessità, è consigliabile registrare i propri prodotti online sul sito Internet: **monitordaudio.com**

## Informazioni per l'utente

### Informazioni sul prodotto

Modello: \_\_\_\_\_

Num. di serie prodotto: \_\_\_\_\_

Data di acquisto: \_\_\_\_\_

### Informazioni rivenditore

Nome rivenditore: \_\_\_\_\_

Indirizzo: \_\_\_\_\_

Codice postale: \_\_\_\_\_

Indirizzo e-mail: \_\_\_\_\_

# Specifiche

Modello:	IA150-2	IA60-12	IA200-2C	IA150-8C	IA800-2C	
<b>Controllo IP "Connect"</b>	N.D.	N.D.	Si	Si	Si	
<b>Numero canali</b>	2 (una coppia stereo)	12 (6 coppie stereo)	2 (una coppia stereo)	8 (4 coppie stereo)	2 (una coppia stereo)	
<b>Potenza (Watt/Canale)</b>	4 Ohm	150 W	60 W	200 W	150 W	800 W
	8 Ohm	100 W	45 W	150 W	140 W	500 W
	Ponte (8 Ohm)	320 W (1 CH)	100 W (6 CH)	470 W (1 CH)	300 W (4 CH)	2000 W (1 CH)
	70 V	N.D.	N.D.	N.D.	N.D.	800 W (2 CH)
<b>Impedenza in ingresso</b>	20.000 Ohm					
<b>Impedenza in uscita (RCA Loop)</b>	600 Ohm					
<b>Sensibilità in ingresso</b>	100 mV/1 W - 1000 mV potenza massima	100 mV/1 W - 700 mV potenza massima	100 mV/1 W - 1230 mV potenza massima	100 mV/1 W - 1140 mV potenza massima	100 mV/1 W - 2200 mV potenza massima	
<b>Tensione massima in ingresso (RMS)</b>	2,9 V					
<b>Rapporto segnale/ rumore (SN:R)</b>	-100 dB (20 Hz - 20 kHz)					
<b>Risposta in frequenza (-3 dB)</b>	5 Hz - 50 kHz					
<b>Distorsione armonica totale (THD + N@1 kHz)</b>	0,03% a 1 W					
<b>Altezza rack</b>	1U	2U	1U	2U		
<b>Dimensioni - Senza piedini (A x L x P)</b>	42,4 x 438 x 427 mm 1 11/16 x 17 1/4 x 16 13/16"	86,8 x 438 x 427 mm 3 7/16 x 17 1/4 x 16 13/16"	42,4 x 438 x 427 mm 1 11/16 x 17 1/4 x 16 13/16"	86,8 x 438 x 438 mm 3 7/16 x 17 1/4 x 16 13/16"		
<b>Dimensioni - Con piedini (A x L x P)</b>	52,8 x 438 x 427 mm 2 1/16 x 17 1/4 x 16 13/16"	97,2 x 438 x 427 mm 3 13/16 x 17 1/4 x 16 13/16"	52,8 x 438 x 427 mm 2 1/16 x 17 1/4 x 16 13/16"	97,2 x 438 x 438 mm 3 13/16 x 17 1/4 x 16 13/16"		
<b>Larghezza, staffe per il rack incluse</b>	482 mm 19"					
<b>Peso</b>	5,29 Kg	7,34 Kg	5,3 Kg	7,45 Kg	9,2 Kg	
<b>Comunicazione IP</b>	N.D.	N.D.	TCP/IP (RJ-45 10/100 Base T)			
<b>Tensione di funzionamento rete elettrica</b>	100-120 V a 60 Hz, 220-240 V a 50 Hz					
<b>Taglia fusibili</b>	5 A (T5AL ~ 250 V CA)	10 A (T10AL ~ 250 V CA)	5 A (T5AL ~ 250 V CA)	10 A (T10AL ~ 250 V CA)	15 A (T15AL ~ 250 V CA)	
<b>Consumo energetico in stand-by</b>	< 0,5 W (modalità green)/ <2W					

Monitor Audio si riserva il diritto di modificare le specifiche senza preavviso.



Einleitung	38	Verbindung mit einem Netzwerk	43
Übersicht – Anschlüsse	39	Konfigurieren Ihres „Connect“-Verstärkers über das Webportal	44
IA150-2	39	Grundeinstellungen	44
IA60-12	39	Einstellungen Eingänge/Ausgänge (Input/Output Settings)	45
IA200-2C	40	DSP-Konfiguration (DSP Configuration)	46
IA150-8C	40	Codes für Infrarot-Fernbedienung	48
IA800-2C	41	Fehlerbehebung	48
Anschlussbeschreibungen	41	Garantie	48
LED-Anzeigen	42	Eigentümerinformationen	48
Überbrückungskanäle	42	Technische Daten	49
Füße	43		
Rack-Einbau Ihres Verstärkers	43		

## Einleitung

Wir stellen Ihnen die Monitor Audio Einbauverstärker (Monitor Audio Installation Amplifiers) vor, konzipiert, um mehr zu leisten und weniger Platz einzunehmen, mit bahnbrechender Technologie für das beste Klangerlebnis in jeder beliebigen Anordnung. Diese Mehrkanalverstärker können in einer breiten Reihe von Applikationen in Wohn- und Handelsräumen mit einer Stromleistung von bis zu 2000 Watt eingesetzt werden. Audiokanäle können flexibel gruppiert oder überbrückt werden, wobei sich bis zu 12 Kanäle konfigurieren lassen.

Wir haben die weltberühmten Hypex-Verstärker ausgewählt, um Zuverlässigkeit und den großartigen Klang zu garantieren, den Sie von Monitor Audio erwarten. Diese wurden auf schlanke 1U- und 2U-Gehäuse reduziert, die universell in die meisten Racks passen und dabei 93 % Energieeffizienz bieten.

Alle Verstärker bieten umfassende Konnektivität mit einfachem Kabelspannungsauslöser oder Signalerkennung. „Connect“-Verstärker umfassen eine komplexere DSP- und IP-Steuerung und bieten somit eine größere Flexibilität und Integration.



# Übersicht – Anschlüsse

## IA150-2



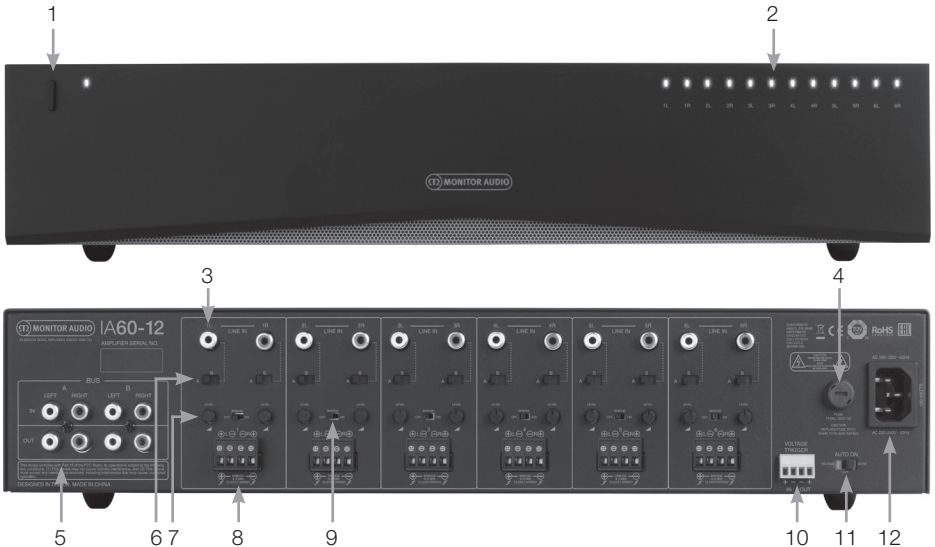
### FRONTBLENDE

1. An-/Aus-Schalter
2. Kanal-LED-Anzeige

### RÜCKBLENDE

3. Linker Kanal – RCA-Eingang/ Ausgang
4. Lautstärkeneinstellung
5. Rechter Kanal – RCA-Eingang/Ausgang
6. Trigger-Eingang/Ausgang
7. Autom. An-Schalter
8. Überbrückung An-/Aus-Schalter
9. Lautsprecherblock-Anschluss
10. AC-Sicherungshalter
11. Netzanschluss

## IA60-12



### FRONTBLENDE

1. An-/Aus-Schalter
2. Kanal-LED-Anzeige

### RÜCKBLENDE

3. RCA-Kanaleingänge
4. AC-Sicherungshalter
5. RCA-Bus-Eingänge/Ausgänge
6. Kanaleingangsschalter
7. Lautstärkeneinstellung
8. Lautsprecherblock-Anschluss
9. Überbrückung An-/Aus-Schalter
10. Trigger-Eingang/Ausgang
11. Autom. An-Schalter
12. Netzanschluss

DEUTSCH

# IA200-2C



## FRONTBLLENDE

1. An-/Aus-Schalter
2. Kanal-LED-Anzeige
3. Ausgabe-Lautstärkeneinstellung

## RÜCKBLLENDE

4. Ein- und Ausgang IR-Fernbedienung
5. IR-Status-LED-Anzeige
6. RCA-Kanaleingänge/-ausgänge
7. Eingang/Ausgang Spannungsauslöser

8. Ethernet-Anschluss (RJ-45)
9. Lautsprecherblock-Anschluss
10. AC-Sicherungshalter
11. Netzanschluss

# IA150-8C



## FRONTBLLENDE

1. An-/Aus-Schalter
2. Kanal-LED-Anzeige
3. Ausgabe-Lautstärkeneinstellung

## RÜCKBLLENDE

4. Eingang/Ausgang IR-Fernbedienung
5. IR-Status-LED-Anzeige
6. Ethernet-Anschluss (RJ-45)
7. Eingang/Ausgang Spannungsauslöser

8. Lautsprecherblock-Anschluss
9. RCA-Kanaleingänge/-ausgänge
10. AC-Sicherungshalter
11. Netzanschluss

IA800-2C



**FRONTBLLENDE**

- 1. An-/Aus-Schalter
- 2. Kanal-LED-Anzeige
- 3. Ausgabe-Lautstärkeneinstellung

**RÜCKBLLENDE**

- 4. Lautsprecherblock-Anschluss
- 5. RCA-Kanaleingänge/-ausgänge
- 6. Eingang/Ausgang Spannungsauslöser
- 7. Eingang/Ausgang IR-Fernbedienung
- 8. IR-Status-LED-Anzeige
- 9. Ethernet-Anschluss (RJ-45)
- 10. AC-Sicherungshalter
- 11. Netzanschluss

**Anschlussbeschreibungen**

**AC-Sicherungshalter**

In diesem Gehäuse befindet sich die interne Sicherung des Verstärkers. Sollte diese jemals ausgetauscht werden müssen, so können Sie das Gehäuse öffnen, indem Sie einen Gegenstand mit flachem Kopf, wie zum Beispiel einen Schraubendreher, einführen und gegen den Uhrzeigersinn drehen. Auf dem Produkt, unterhalb der Sicherungshalterung, finden Sie die aufgedruckte Angabe für den richtigen Sicherungswert.

**An-/Aus-Schalter**

Dies ist der Hauptschalter des Verstärkers. Bitte stellen Sie sicher, dass der Verstärker ausgeschaltet ist, wenn er über einen längeren Zeitraum nicht genutzt wird.

**Ausgabe-Lautstärkeneinstellung**

**Nur „Connect“-Modelle.**

Verwenden Sie einen kleinen Schlitzschraubendreher, um die Ausgabelaustärke zu erhöhen oder zu senken. Diese ist mit der „Ausgabelaustärke“ (Output Volume) im Webportal verknüpft. Lesen Sie dazu Seite 46. Drehen Sie den Schraubendreher gegen den Uhrzeigersinn bei Aussetzen/Verzerrungen (wie von der Kanal-LED an der Vorderseite angezeigt), oder im Uhrzeigersinn, um die Lautstärke zu erhöhen.

**RCA-Kanaleingänge**

Linke und rechte RCA-Stereo-Anschlüsse für die Verbindung mit Audioquellen. Modelle mit einer größeren Anzahl von Kanälen, wie der IA60-12, bieten mehr Eingänge für die Anzahl der verfügbaren Ausgabekanäle.

**RCA-Kanalausgänge**

Linke und rechte RCA-Stereo-Anschlüsse für die Verbindung mit externen Wiedergabegeräten, wie zum Beispiel aktiven Subwoofern oder zusätzlichen Verstärkern.

**Lautstärkeneinstellung**

**Nur IA150-2 und IA60-12.**

Wird verwendet, um die Ausgabelaustärke zu erhöhen oder zu senken. Verringern, wenn die Lautsprecher aussetzen; erhöhen, wenn die Ausgabelaustärke zu niedrig ist.

**Ethernet-Anschluss (RJ-45)**

**Nur „Connect“-Modelle.**

Wird verwendet, um eine Verbindung zu einem Kabelnetzwerk herzustellen. Sobald der angeschlossene Verstärker für andere Geräte im Netzwerk sichtbar ist. Lesen Sie Seite 44, um zu erfahren, wie Sie Ihren „Connect“-Verstärker einrichten.

**Ein- und Ausgang Spannungsauslöser**

Eine Trigger-Verbindung kann über den Eingang/Ausgang eines anderen Geräts vorgenommen werden. Wenn Sie den Eingang nutzen, wird der Verstärker automatisch mit dem verbundenen Gerät ein- und ausgeschaltet. Ein mit dem Ausgang des Verstärkers verbundenen Gerät wird automatisch mit dem Verstärker ein- und ausgeschaltet.

DEUTSCH

## Autom. An-Schalter

### Nur IA150-2 und IA60-12.

Es gibt drei Einstellungen: Spannung (Voltage), Audio und Aus (Off). Bei der Einstellung „Voltage“ wird die Trigger-Methode verwendet, um den Verstärker aus dem Standby-Modus zu wecken. Bei der Einstellung „Audio“ wird der Verstärker aus dem Standby-Modus geweckt, wenn ein Audiosignal vorhanden ist. Er wechselt in den Standby-Modus zurück, wenn 15 Minuten lang kein Signal mehr vorhanden ist. Bei der Einstellung „Off“ kann der Verstärker nur manuell ein- und ausgeschaltet werden.

## Brückenschalter

### Nur IA150-2 und IA60-12.

Schalten Sie den Brücken-Modus ein oder aus. Wenn dieser eingeschaltet ist, werden zwei Ausgänge miteinander kombiniert, um mehr Ausgangsleistung zu erzeugen.

## RCA-Bus-Eingänge

### Nur IA60-12.

Linke und rechte RCA-Stereo-Eingänge für die Verbindung mit Audioquellen. Im Gegensatz zu RCA-Kanalanschlüssen können die RCA-Bus-Eingänge zu mehreren Ausgabekanälen geleitet werden.

## RCA-Bus-Ausgänge

### Nur IA60-12.

Linke und rechte RCA-Stereo-Ausgänge. Diese können genutzt werden, wenn Sie eine Durchschleifverbindung vom Bus-Eingangssignal zu externen Geräten oder zusätzlichen Verstärkern herstellen möchten.

## Bus-Schalter

### Nur IA60-12.

Wählen Sie den Audioquellen-Eingang für den Kanal am Verstärker.

## Lautsprecherblock-Anschluss

Für den Anschluss von Lautsprechern mit einer Kabelstärke von bis zu 12. Lesen Sie hierzu bitte die nächste Spalte auf dieser Seite.

## IR-Eingang (Infrarot)

Verbinden Sie einen IR-Empfänger mit diesem Eingang, um den Verstärker über eine programmierbare Fernbedienung zu steuern. Auf Seite 48 finden Sie diskrete Befehle und Hex-Codes.

## IR-Ausgang (Infrarot)

Für die Nutzung mit einem Infrarot-Repeater oder die Verknüpfung mit dem IR-Eingang anderer Verstärker. Hierdurch können mehrere Geräte den gleichen Befehl von einer einzelnen Fernbedienung empfangen. Zum Beispiel kann ein einzelner Ein/Aus-Befehl für das gesamte Rack mit Einbaustärkern auf einmal statt einzeln verwendet werden.

## LED-Anzeigen

### Betriebs-LED (orange LED):

LED orange gedimmt – Standby-Modus

LED leuchtend orange – Eingeschaltet

Hell blinkende orange LED – Identifizierungsmodus oder laufendes Update

### Kanal-LED (orange/weiße Dual-LED):

LED aus – kein Signal vorhanden

Orange LED – Signal vorhanden

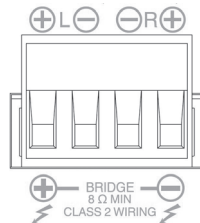
Weißer LED – Kanal setzt aus oder der Verstärker ist in den Schutzmodus gewechselt

Blinkende weiße LED – Überhitzungsschutz

Sollte es zu Aussetzern kommen oder die Lautstärke durch Überhitzungsschutzmuster verringert werden, lesen Sie bitte den Abschnitt „Fehlerbehandlung“ auf Seite 48, sollte das Problem weiterhin bestehen.

## Verbindung Ihrer Lautsprecher

Alle Verstärker sind mit Lautsprecherblock-Anschlüssen versehen, die eine sichere Verbindung mit Ihren Lautsprechern ermöglichen. Diese Blöcke können für den praktischen Zugang entnommen werden. Verwenden Sie einen Schlitzschraubendreher, um die Schrauben auf dem Lautsprecherblock zu lösen, und führen Sie das Lautsprecherkabel mit einer Kabelstärke von bis zu 12 in die vorderen Öffnungen ein. Ziehen Sie die Schrauben wieder an, um das Lautsprecherkabel festzuklemmen.

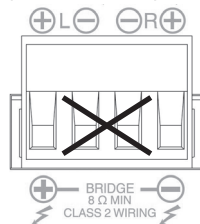


## Überbrückungskanäle



**WARNHINWEIS: Die Mindestimpedanz von Lautsprechern für die Überbrückung beträgt 8 Ohm. Verbinden Sie keine Lautsprecher mit weniger als 8 Ohm Nennimpedanz im Überbrückungsmodus.**

1. Stellen Sie den BRIDGE-Schalter der jeweiligen Zone auf EIN (ON). Lesen Sie hierzu den Abschnitt „Übersicht – Anschlüsse“.
2. Verbinden Sie das „+“-Kabel des Lautsprechers mit dem linken, mit „+“ gekennzeichneten Kanalanschluss, und das „-“-Kabel des Lautsprechers mit dem rechten, mit „-“ gekennzeichneten Kanalanschluss. Die „-“-Ausgänge werden nicht genutzt.

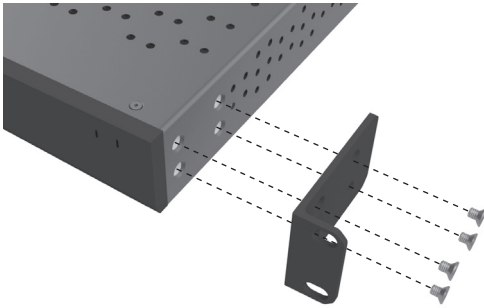


## FüÙe

Jedes Verstärker-Modell wird mit vier GummifüÙen für die Verwendung auÙerhalb eines Racks geliefert. Um die FüÙe anzubringen, schrauben Sie diese einfach in die vier Gewindebohrungen an der Unterseite des Verstärkers.

## Rack-Einbau Ihres Verstärkers

Jedes Verstärker-Modell wird mit Rack-Klemmbefestigungen für den Einbau des Verstärkers in 19"-Standardracks geliefert. Um die Klemmen einzusetzen, entfernen Sie einfach die vier Schrauben an jeder Seite des Verstärkers nach vorne. Setzen Sie die Klemmen über die freigelegten Öffnungen und verwenden Sie die gleichen Schrauben, um die Klemmen zu befestigen.



## Stromanschluss des Verstärkers

Alle Modelle werden mit IEC-Netzkabeln geliefert. Jedes Mal, wenn das Netzkabel des Verstärkers zum ersten Mal eingesteckt und der Hauptschalter eingeschaltet wird, werden alle Kanalausgänge ca. 12 Sekunden lang getrennt und alle Kanalanzeige-LEDs leuchten kurzzeitig auf, während der Verstärker hochfährt.



**HINWEIS: Schalten Sie den Strom an der Steckdose nicht ein, solange nicht alle Systemverbindungen hergestellt wurden.**

## Verbindung mit einem Netzwerk



**HINWEIS: Dieser Abschnitt gilt nur für „Connect“-Modelle.**

1. Verbinden Sie den Verstärker über ein Ethernet-Kabel mit einem Netzwerk-Switch. Achten Sie darauf, dass der Computer und der Verstärker mit dem selben Netzwerk verbunden sind.
2. Schalten Sie den Verstärker ein.
3. Dem Verstärker wird eine IP-Adresse durch den Netzwerk-Switch zugewiesen.
4. Führen Sie eine IP-Adressen-Suchanwendung, wie zum Beispiel „Advanced IP Scanner“ (nur Windows) aus, die kostenlos hier heruntergeladen werden kann:  
<https://www.advanced-ip-scanner.com>
5. Starten Sie „Advanced IP Scanner“ (oder eine bevorzugte Anwendung) und geben Sie den IP-Bereich Ihres Netzwerks (der von Ihrem Router gesteuert wird) in die Suchleiste oben ein. Klicken Sie auf „Scannen“ (Scan), um die Suche zu starten.
6. Die IP-Adresse des Verstärkers in der Liste wird mit einem Aufklappmenü versehen sein. Wenn Sie darauf doppelklicken, werden Sie zur Einrichtungs-Webseite für den Verstärker weitergeleitet. Alternativ dazu sind alle Netzwerk-IP-Adressen über die Konfigurationsseite Ihres Routers zugänglich.

Sobald die IP-Adresse des Verstärkers bekannt ist, kann sie in den Webbrowser Ihrer Wahl eingegeben werden, um Zugang zum Webportal zu erhalten.

# Konfigurieren Ihres „Connect“- Verstärkers über das Webportal

## Grundeinstellungen

Hier können Sie die grundlegenden, allgemeinen Verstärker-Einstellungen bearbeiten und speichern. Der folgende Abschnitt führt Sie durch jede der Funktionen in diesem Reiter.



**HINWEIS:** Einige Änderungen, die über das Webportal vorgenommen wurden, sind möglicherweise nicht sichtbar, solange die Seite nicht manuell aktualisiert wurde oder

Sie auf eine der anderen Seiten wechseln.

## Informationen (Information)

Hier können Sie einen Namen für Ihren Verstärker hinzufügen und Einzelheiten zur Installation für den zukünftigen Gebrauch eingeben. Das Verstärker-Modell, die Firmware-Version und die Seriennummer werden hier angezeigt, können jedoch nicht bearbeitet werden.

## Netzwerk (Network)

**IP-Adresse (IP Address)** – Zeigt die derzeit verwendete IP-Adresse an, wenn DHCP aktiviert ist. Wenn DHCP auf OFF gesetzt ist, können Sie eine statische IP-Adresse nach Wahl eingeben.

**IP-Subnetzmaske (IP Subnet Mask)** – Zeigt die derzeit verwendete IP-Subnetzmaske an, wenn DHCP aktiviert ist. Wenn DHCP auf OFF gesetzt ist, können Sie eine IP-Subnetzmaske nach Wahl eingeben.



**HINWEIS:** Wenn Sie die IP-Adresse oder die Subnetzmaske ändern, muss die neue IP-Adresse in den Webbrowser eingegeben werden, um das Webportal des Verstärkers erneut anzuzeigen.

## Identifizierungsmodus (Identification Mode)

Wenn diese Option aktiviert ist, blinkt die Betriebs-LED an der Vorderseite. Diese Option wird verwendet, um zu identifizieren, welcher Verstärker beim Einsatz mehrerer Verstärker konfiguriert wird.

## Drucken (Print)

Klicken Sie hier, um eine druckbare Seite mit allen derzeitigen Verstärker-Einstellungen zu öffnen.

## Einschalten (Power ON)

Hier haben Sie die Auswahl aus mehreren Einschaltmethoden (nachfolgend beschrieben), die am besten zu Ihrer Installation passen. Es kann auch eine Einschaltverzögerung von 0-20 Sekunden eingestellt werden. Dies ist nützlich, wenn Sie eine Reihe von Verstärkern in einer bestimmten Reihenfolge einschalten möchten.

**An-/Aus-Schalter (Power Button)** – Deaktiviert die Signalerkennung und die Spannungsauslösererkennung. Der Betriebsstatus wird ausschließlich über den An-/Aus-Schalter des Geräts gesteuert.

**Audio** – Dieser Modus verwendet die Signalerkennung, um den Verstärker einzuschalten. Darüber hinaus ist auch die Kommunikation über das Netzwerk weiterhin möglich. In diesem Modus verbraucht der Verstärker bis zu 2 W im Standby-Modus.

**Spannungsauslöser (Voltage Trigger)** – Schaltet den Verstärker über einen 12V-Spannungsauslöser ein.

**Audio Grün (Audio Green)** – Dieser Modus verwendet die Signalerkennung, um den Verstärker einzuschalten. Er wechselt in den Standby-Modus zurück, wenn 15 Minuten lang kein Signal mehr vorhanden ist. Die Netzwerkkommunikation ist im Standby-Modus ausgeschaltet. Um mit dem Verstärker zu kommunizieren, muss dieser aus dem Standby-Modus geweckt werden. In diesem Modus verbraucht der Verstärker bis zu 0,5 W im Standby-Modus.

**Spannung Grün (Voltage Green)** – Dieser Modus verwendet den Spannungsauslöser, um den Verstärker ein- und auszuschalten. Die Netzwerkkommunikation ist im Standby-Modus ausgeschaltet. Um mit dem Verstärker zu kommunizieren, muss dieser aus dem Standby-Modus geweckt werden. **HINWEIS:** In diesem Modus verbraucht der Verstärker bis zu 0,5 W im Standby-Modus.

Betriebsmodus	Strom im Standby-Modus	Netzwerkcommunication im Standby-Modus
An-/Aus-Schalter	N/A	N/A
Audio	2 W	Ja
Spannungsauslöser	2 W	Ja
Audio Grün	0,5 W	Nein
Spannung Grün	0,5 W	Nein

## Speichern & Wiederherstellen (Save & Restore)

Hier können Sie alle Einstellungen in einer Datei speichern, die anschließend verwendet werden kann, um die Einstellungen bei Bedarf wiederherzustellen.

## Globale Voreinstellungen laden (Load Global Preset)

**Aktive globale Voreinstellung (Active Global Preset)** – Zeigt die derzeit aktive globale Voreinstellung an (dies zeigt den Namen der derzeit aktiven globalen Voreinstellung an; es ist kein Texteingabefeld) – mit einer Reset-Schaltfläche, über die die derzeit aktive Voreinstellung auf die Standardeinstellungen zurückgesetzt werden kann.

**Globale Voreinstellung auswählen (Select Global Preset)** – Wählt die Voreinstellung aus, die Sie bearbeiten und über das Aufklappenmenü implementieren möchten.

Über die Laden-Schaltfläche (Load) neben dem Aufklappenmenü aktivieren Sie die ausgewählte Voreinstellung und starten den Verstärker neu, nachdem Sie die Pop-up-Meldung bestätigt haben. Die aktive globale Voreinstellung wird geändert, sobald die Webseite aktualisiert wurde.

**Name der Voreinstellung bearbeiten (Edit Preset name)** – Textfeld, über das Sie den Namen der derzeit über das Aufklappenmenü ausgewählten Voreinstellung bearbeiten können.

## Globale Voreinstellung importieren/exportieren (Import/Export Global Preset)

**Alle Voreinstellungen (All Presets)** – Importiert/exportiert alle globalen Voreinstellungen in eine/aus einer Datei.

**Einzelne Voreinstellung (Single Preset)** – Importiert/exportiert eine einzelne globale Voreinstellung in eine/aus einer Datei.

## Globale Voreinstellung duplizieren (Duplicate Global Preset)

Kopiert globale Voreinstellung „X“ zu globaler Voreinstellung „Y“. Beide können anschließend über die Aufklappenmenüs ausgewählt werden.

## Zurücksetzen (Reset)

**Werkzeugeinstellungen (Factory Reset)** – Reset-Schaltfläche, über die alle Einstellungen und alle Voreinstellungen (global & DSP) auf die ursprünglichen Werkzeugeinstellungen zurückgesetzt werden. Wenn Sie diese Schaltfläche drücken, blinkt die Betriebs-LED am Verstärker, gefolgt von einem Neustart.

## Update

**Firmware-Update** – Über diese Schaltfläche wird die vom Benutzer ausgewählte Firmware (.bin-Datei) installiert. Nach einem erfolgreichen Update erscheint eine Benachrichtigung im Webportal. Folgen Sie den Anweisungen, um den Verstärker anschließend neu zu starten und zur Seite „Grundeinstellungen“ zurückzukehren. Die neueste Firmware steht zum Download auf unserer Website zur Verfügung: [monitoraudio.com](http://monitoraudio.com)

**HINWEIS: Wir empfehlen, Ihre Firmware nach jeder Installation zu überprüfen. Die neueste Firmware finden Sie auf unsere Website: [monitoraudio.com](http://monitoraudio.com)**

## Einstellungen Eingänge/Ausgänge (Input/Output Settings)

Hier können Sie die Umleitung für jeden Eingang zu einem ausgewählten Ausgang konfigurieren. Individueller Trim-Pegel, Modus, Gain-Offset und Lautstärkenparameter können ebenfalls eingestellt werden. Hierüber können Sie zudem Verstärkermodus, wie zum Beispiel eine 70V-Leitung (nur IA800-2C) oder eine Überbrückung, aktivieren.



**HINWEIS: Einige Änderungen, die über das Webportal vorgenommen wurden, sind möglicherweise nicht sichtbar, solange die Seite nicht manuell**

**aktualisiert wurde oder Sie auf eine der anderen Seiten wechseln.**

The screenshot shows the 'Input/Output Settings' page with the following sections:

- Input Setup:** Includes 'Input Name' (1 LEFT, 1 RIGHT, 2 LEFT, 2 RIGHT) and 'Trim Level dB' (0, 0, 0, 0).
- Output Setup:** Includes 'Channel' (1 LEFT, 1 RIGHT), 'Output Name' (Output 1L, Output 1R), 'Stereo/Mono' (Stereo, Stereo), 'DSP Preset' (Preset OFF, Preset OFF), 'Control Zone' (A, A), and 'Amp Mode' (Stereo).
- Output Volume:** Includes 'Channel' (1 LEFT, 1 RIGHT), 'Output Volume' (12, 12), 'Turn On Volume' (12, 12), 'Mute' (OFF, OFF), 'Control Zone' (A, A), 'Maximum Volume' (12, 12), and 'Gain Offset' (0, 0).
- Output Source:** Includes 'Channel' (1 LEFT, 1 RIGHT), 'Source 1' (Input 1L, Input 1R), 'Source 2' (Input 1L, Input 1R), and 'Source Select' (Source 1 Only, Source 1 Only).

## Eingang einrichten (Input Setup)

Hier werden alle verfügbaren Eingangskanäle angezeigt. Jeder Eingang kann individuell benannt und der Trim-Pegel für jeden Kanal um +/- 6 dB angepasst werden. Der Trim-Pegel (Trim Level) ist der Eingangspegel vor der Verstärkung.

## Ausgang einrichten (Output Setup)

**Kanal (Channel)** – Wählen Sie den Ausgangskanal aus, den Sie bearbeiten möchten. Wenn ein Kanal über ein Aufklappmenü ausgewählt wird, werden die entsprechenden Kanäle ebenfalls in den anderen Aufklappmenüs angezeigt (z. B. wenn 1 LEFT im linken Aufklappmenü ausgewählt wird, wird 1 RIGHT im rechten Aufklappmenü angezeigt).

**Ausgangsname (Output Name)** – Texteingabefeld für den Namen des Ausgangskanal.

**Stereo/Mono** – Stereo/Mono-Auswahl für jeden Kanal. Wenn „Mono“ ausgewählt wurde, werden die L- und R-Eingangskanäle an den ausgewählten Ausgängen zu einer Mono-Ausgabe zusammengelegt.

**DSP-Voreinstellung (DSP Preset)** – Wählt eine gespeicherte DSP-Voreinstellung aus, die anschließend auf den Ausgangskanal angewandt wird. Diese ist immer individuell für jeden Kanal auswählbar und niemals zwischen Stereo-Paaren verknüpft.

**Steuerungszone (Control Zone)** – Wählen Sie A, B, C, D usw. aus (Anzahl von Gruppen = Anzahl von Ausgangskanälen). Hierüber gruppieren Sie die Einstellungen Ausgabelautstärke (Output Volume), Einschalllautstärke (Turn On Volume) und Stumm schalten (Mute) über alle Kanäle, für die die gleiche Steuerungszone ausgewählt wurde. Zur Steuerung mehrerer Kanäle als einzelne Zone.

**Verstärkermodus (Amp Mode)** – Wählen Sie zwischen dem Stereo und dem Überbrückungsmodus (Bridged). Wird auch verwendet, um den 70V-Modus auf dem IA800-2C auszuwählen.

## Ausgabelautstärke (Output Volume)

**Kanal (Channel)** – Wählen Sie den Ausgangskanal aus, den Sie bearbeiten möchten. Wenn ein Kanal über ein Aufklappmenü ausgewählt wird, werden die entsprechenden Kanäle ebenfalls in den anderen Aufklappmenüs angezeigt, wie oben beschrieben. Die folgenden Optionen steuern die ausgewählte Kanalausgabe:

- Ausgabelautstärke (Output Volume) – Diese ist mit dem Steuerknopf an der Vorderseite verknüpft. Wenn Sie den Steuerknopf an der Vorderseite bedienen, wird der Wert auf der Webseite geändert (nachdem sie aktualisiert wurde). Der Steuerknopf ändert sich nicht, wenn der Wert auf der Webseite geändert wurde.

- Einschalllautstärke (Turn On Volume)

- Stumm schalten (Mute)

**Steuerungszone (Control Zone)** – Wählen Sie „Control Zone“ aus. Die folgenden Optionen steuern die ausgewählte Zonenausgabe:

- Maximale Lautstärke (Maximum Volume)

- Gain Offset

## Ausgabequelle (Output Source)

**Kanal (Channel)** – Wählen Sie einen Ausgangskanal aus, um die Weiterleitung zu bearbeiten. Wenn ein Kanal über ein Aufklappmenü ausgewählt wird, werden die entsprechenden Kanäle ebenfalls in den anderen Aufklappmenüs angezeigt, wie oben beschrieben.

**Quelle 1 (Source 1)** – Wählen Sie die primäre Eingabequelle aus, die an den ausgewählten Kanal weitergeleitet werden soll.

Die primäre Quelle ist immer stereo-verknüpft, wenn also zum Beispiel 1L für den linken Kanal ausgewählt wurde, wird 1R automatisch für den rechten Kanal ausgewählt.

**Quelle 2 (Source 2)** – Wählen Sie die sekundäre Eingabequelle aus, die an den ausgewählten Kanal weitergeleitet werden soll.

Die sekundäre Quelle kann individuell ausgewählt werden und muss nicht stereo-verknüpft sein.

**Quelle auswählen (Source Select)** – Wählen Sie zwischen Priorität Quelle 2 (Priority Source 2), Nur Quelle 1 (Source 1 Only) oder MIX.

Hierdurch wird entweder Quelle 1, Quelle 2 oder ein MIX (aus Quelle 1 und 2) an den ausgewählten Ausgangskanal weitergeleitet. Standardeinstellung: Quelle 1.

## DSP-Konfiguration (DSP Configuration)

Über den Reiter „DSP-Konfiguration“ können Sie die mithilfe eines parametrischen 10-Band-Equalizers endgültige Anpassungen am Klang vornehmen. Diese können anschließend als Voreinstellungen gespeichert werden, die von Ihnen exportiert und importiert werden können.



**HINWEIS: Einige Änderungen, die über das Webportal vorgenommen wurden, sind möglicherweise nicht sichtbar, solange die Seite nicht manuell aktualisiert wurde oder Sie auf eine der anderen Seiten wechseln.**

## Voreinstellung zuweisen (Allocate Preset)

**Ausgangskanal (Output Channel)** – Wählen Sie einen Kanal aus, den Sie bearbeiten möchten, und anschließend die DSP-Voreinstellung für den Ausgang. Wenn ein Kanal über ein Aufklappmenü ausgewählt wird, wird der entsprechende Gegenkanal ebenfalls im anderen Aufklappmenü angezeigt.

**Ausgangsname (Output Name)** – Texteingabefeld für den Namen des Kanal. Wenn dieser hier geändert wird, wird er auch auf der Seite „Einstellungen Eingänge/ Ausgänge“ geändert.

**DSP-Voreinstellung (DSP Preset)** – Wählt eine gespeicherte DSP-Voreinstellung aus, die anschließend auf den Ausgangskanal angewandt wird. Diese ist immer individuell für jeden Kanal auswählbar und niemals zwischen Stereo-Paaren verknüpft.



## Testsignal

**Ausgangskanal (Output Channel)** – Wählen Sie den Ausgangskanal aus, an den das Testsignal umgeleitet werden soll. Wenn ein Kanal über ein Aufklappenmenü ausgewählt wird, werden die entsprechenden Kanäle ebenfalls in den anderen Aufklappenmenüs angezeigt, wie oben beschrieben.

**Impuls (Stimulus)** – Wählen Sie „Rosa Rauschen“ (Pink Noise) oder einen beliebigen Eingangskanal aus, um die ausgewählte Ausgabe vorübergehend umzuleiten.

**Lautstärkenpegel (Volume Level)** – Der Lautstärkenpegel des Impulses des ausgewählten Kanals in dB.

**An/Aus (On/Off)** – Schaltet den Impuls ein oder aus. Standardmäßig auf „Off“ gestellt, wenn Sie die Seite „DSP-Konfiguration“ verlassen.

Voreinstellung importieren/exportieren (Import/Export Preset)

**Alle Voreinstellungen (All Presets)** – Importiert/exportiert alle DSP-Voreinstellungen in eine/aus einer Datei.

**Einzelne Voreinstellung (Single Preset)** – Importiert/exportiert eine einzelne DSP-Voreinstellung in eine/aus einer Datei.

Voreinstellung duplizieren (Duplicate Preset)

Kopiert DSP-Voreinstellung „X“ zu DSP-Voreinstellung „Y“. Beide können anschließend über die Aufklappenmenüs ausgewählt werden.

DSP-Voreinstellung auswählen/umbenennen (Select/Rename DSP Preset)  
**DSP-Voreinstellung auswählen (Select DSP Preset)** – Die ausgewählte Voreinstellung wird automatisch jegliche Änderungen an den EQ-Einstellungen in den folgenden Einstellungen speichern.

**Name der Voreinstellung bearbeiten (Edit Preset Name)** – Texteingabefeld, in dem Sie die Voreinstellung individuell umbenennen können.

**Zurücksetzen (Reset)** – Setzt alle Namen und Einstellungen der derzeit ausgewählten Voreinstellung auf die Standardeinstellungen zurück.

## EQ-Graph

Zeigt die Kurve der EQ-Einstellungen an.

## EQ-Parameter

10 Bänder eines parametrischen Equalizers mit folgenden konfigurierbaren Einstellungen:

**EQ – An/Aus (EQ – On/ Off)** – Wird verwendet, um das Frequenzband zu aktivieren und die angewandten Parameteränderungen zu übernehmen.

**EQ-Frequenz (EQ Frequency)** – Dies ist der Mittelpunkt der Frequenzbandbreite, auf die die Änderungen angewandt werden.

**EQ – Q** – Der Q-Faktor steuert die Bandbreite, die durch den Equalizer verstärkt wird (Wert variiert zwischen 0,3 und 24). Je geringer der Q-Faktor, desto breiter die Bandbreite (und desto mehr Frequenzen auf jeder Seite des Mittelpunkts werden davon betroffen sein). Je höher der Q-Faktor, desto schmaler die Bandbreite (und desto weniger Frequenzen werden davon betroffen sein).

**EQ – Gain +/- dB** – Die Erhöhung oder Verringerung des Gain-Werts/der Lautstärke bei der ausgewählten Frequenz.

## Tilt-Steuerung (Tilt Control)

Hierüber kann eine Gain-Änderung so eingestellt werden, dass sie über oder unter einer eingestellten Frequenz konstant bleibt. Wenden Sie einen Tilt-EQ-Filter mithilfe folgender konfigurierbarer Einstellungen auf

niedrige oder hohe Frequenzen an:

**Tilt An/Aus (Tilt On/ Off)** – Wird verwendet, um den hohen oder niedrigen Tilt-EQ-Filter zu aktivieren und die angewandten Parameteränderungen zu übernehmen.

**Frequenz (Frequency)** – Ausgangspunkt der Frequenz der Tilt-Filter-Anpassung.

**Gain** – Die Erhöhung oder Verringerung des Gain-Werts/ der Lautstärke.

## Übergang (Crossover)

Hier können High-Pass (HP) oder Low-Pass (LP)-Übergangsfiler angewandt werden. Dies ist hilfreich, wenn Sie passive Subwoofer (hierbei wird ein LP-Filter verwendet) oder kleinere Satelliten nutzen, die keine niedrigen Frequenzen handhaben können (HP-Filter). Stellen Sie den Low-Pass- und High-Pass-Filter mithilfe folgender konfigurierbarer Einstellungen ein:

**Übergang An/Aus (Crossover On/Off)** – Wird verwendet, um den High- oder Low-Pass-Filter zu aktivieren und die angewandten Parameteränderungen zu übernehmen.

**Abschaltfrequenz (Cut off Frequency)** – Stellen Sie den -6 dB-Punkt jedes HP- und LP-Übergangsfilters ein.

**Filtertyp (Filter Type)** – Wählen Sie zwischen 6, 12, 18 und 24 dB je Oktave für jeden HP- und LP-Übergangsfiler. Je höher der Wert, desto steiler ist der Abschaltwinkel.

## Verzögerung (Delay)

Texteingabefelder, über die Sie eine Verzögerung entweder in Millisekunden, Fuß oder Meter angeben können.

Wenn ein Wert für eine Maßeinheit eingegeben wurde, werden die anderen beiden Einheiten automatisch berechnet.

## Begrenzer (Limiter)

**Pegel (Level)** – Pegel des Begrenzers zwischen Aus (Off), -3dB, -6dB und -9dB. Dies ist vorgesehen, um den Pegel eines Signals über den eingestellten Grenzwert hinaus einzuschränken, um zusätzlichen Gain über diesen Punkt hinaus zu verhindern und somit eine mögliche Beschädigung der Lautsprecher zu vermeiden.

## Codes für Infrarot-

## Fernbedienung

### Nur „Connect“-Modelle.

„Connect“-Verstärker haben einen IR-Eingang und -Ausgang für die Nutzung mit universellen Fernbedienungen. Die Befehle für die Verstärker folgen dem Standard-NEC-Protokoll und können hier heruntergeladen werden: [monitoraudio.com](http://monitoraudio.com)

## Fehlerbehebung

### Falsche LED-Anzeigen:

#### Weiße LED – Kanal setzt aus/ist in den Schutzmodus gewechselt

Wenn das Eingangssignal zu hoch ist, leuchtet die

Kanal-LED durchgehend weiß. Verringern Sie in diesem Fall entweder den Trim-Pegel am Verstärker oder verringern Sie die Lautstärke der Audioquelle.

### Blinkende weiße LED – Überhitzungsschutz

In diesem Fall empfehlen wir Ihnen, den Verstärker auszuschalten und ihn auf Raumtemperatur abkühlen zu lassen, bevor Sie ihn wieder einschalten.

## Andere Fehler:

### Kein Strom

Wenn der Verstärker nicht mit Strom versorgt wird, überprüfen Sie die Sicherung (falls zutreffend) und die interne Sicherung des Verstärkers. Lesen Sie hierzu bitte Seite 39 im Abschnitt „Übersicht – Anschlüsse“.

### Kein Ton

Überprüfen Sie alle Verbindungen und Kabel. Wenn es sich bei dem Verstärker um ein „Connect“-Modell handelt, stellen Sie sicher, dass die Kanäle richtig umgeleitet werden und nicht stumm geschaltet sind.

Wenn der Verstärker im Überbrückungsmodus konfiguriert ist, stellen Sie sicher, dass der Schalter/die Einstellungen und Verkabelung richtig vorgenommen wurden.

Wenn dadurch noch immer kein Signal ausgegeben wird oder der Fehlermodus noch immer angezeigt wird, nehmen Sie unverzüglich mit Ihrem Händler/Lieferanten vor Ort oder Monitor Audio Kontakt auf.

## Garantie

Sowohl die handwerkliche Arbeit als auch die Leistung dieses Produkts kommen mit einer Garantie gegen Produktionsfehler – für einen Zeitraum von **fünf** Jahren ab dem Kaufdatum (vergleichen Sie dazu die unten stehenden Geschäftsbedingungen), vorausgesetzt, das Produkt wurde von einem autorisierten Monitor-Audio-Einzelhändler im Rahmen des Konsumenten-Verkaufsvertrags ausgeliefert.

Um uns zu helfen, die Einzelheiten Ihrer Garantie in unserer Kundendatenbank aufzufinden, falls dies nötig sein sollte, bitten wir Sie, sich ein paar Minuten Zeit zu nehmen und Ihr(e) Produkt(e) online auf folgender Website zu registrieren: [monitoraudio.com](http://monitoraudio.com)

## Eigentümerinformationen

### Produktangaben

Modell: \_\_\_\_\_

Produkt-Seriennummer: \_\_\_\_\_

Kaufdatum: \_\_\_\_\_

### Händlerinformationen

Händlername: \_\_\_\_\_

Adresse: \_\_\_\_\_

Postleitzahl: \_\_\_\_\_

E-Mail-Adresse: \_\_\_\_\_

# Technische Daten

Modell:	IA150-2	IA60-12	IA200-2C	IA150-8C	IA800-2C	
<b>IP-Steuerung „Connect“</b>	N/A	N/A	Ja	Ja	Ja	
<b>Kanalanzahl</b>	2 (Ein Stereo-Paar)	12 (6 Stereo-Paare)	2 (Ein Stereo-Paar)	8 (4 Stereo-Paare)	2 (Ein Stereo-Paar)	
<b>Leistung (Watt/Kanal)</b>	4 Ohm	150 W	60 W	200 W	150 W	800 W
	8 Ohm	100 W	45 W	150 W	140 W	500 W
	Überbrückung (8 Ohm)	320 W (1 Kanal)	100 W (6 Kanäle)	470 W (1 Kanal)	300 W (4 Kanäle)	2000 W (1 Kanal)
	70 V	N/A	N/A	N/A	N/A	800 W (2 Kanäle)
<b>Eingangswiderstand</b>	20.000 Ohm					
<b>Ausgangswiderstand (RCA-Schleife)</b>	600 Ohm					
<b>Empfindlichkeit des Eingangs</b>	100 mV/1 W – 1000 mV volle Leistung	100 mV/1 W – 700 mV volle Leistung	100 mV/1 W – 1230 mV volle Leistung	100 mV/1 W – 1140 mV volle Leistung	100 mV/1 W – 2200 mV volle Leistung	
<b>Maximale Eingangsspannung (RMS)</b>	2,9 V					
<b>Rauschabstand (SN:R)</b>	-100 dB (20 Hz – 20 kHz)					
<b>Frequenzbereich (-3 dB)</b>	5 Hz – 50 kHz					
<b>Gesamtklirrfaktor (THD + N bei 1 kHz)</b>	0,03 % bei 1 W					
<b>Rack-Höhe</b>	1U	2U	1U	2U		
<b>Abmessungen: Ohne Füße (H x B x T)</b>	42,40 x 438 x 427 mm 1 11/16 x 17 1/4 x 16 13/16"	86,80 x 438 x 427 mm 3 7/16 x 17 1/4 x 16 13/16"	42,40 x 438 x 427 mm 1 11/16 x 17 1/4 x 16 13/16"	86,80 x 438 x 438 mm 3 7/16 x 17 1/4 x 16 13/16"		
<b>Abmessungen: Mit Füßen (H x B x T)</b>	52,80 x 438 x 427 mm 2 1/16 x 17 1/4 x 16 13/16"	97,20 x 438 x 427 mm 3 13/16 x 17 1/4 x 16 13/16"	52,80 x 438 x 427 mm 2 1/16 x 17 1/4 x 16 13/16"	97,20 x 438 x 438 mm 3 13/16 x 17 1/4 x 16 13/16"		
<b>Breite einschl. Rack-Klemmen</b>	482 mm 19"					
<b>Gewicht</b>	5,29 kg (11lb 10oz)	7,34 kg (16lb 2oz)	5,3 kg (11lb 10oz)	7,45 kg (16lb 6oz)	9,2 kg (20lb 4oz)	
<b>IP-Kommunikation</b>	N/A	N/A	TCP/IP (RJ-45 10/100 Base T)			
<b>Netzanschlussspannung</b>	100 – 120 V bei 60 Hz, 220 – 240 V bei 50 Hz					
<b>Sicherungswert</b>	5 A (T5AL ~ 250 V AC)	10 A (T10AL ~ 250 V AC)	5 A (T5AL ~ 250 V AC)	10 A (T10AL ~ 250 V AC)	15 A (T15AL ~ 250 V AC)	
<b>Stromverbrauch im Standby-Modus</b>	< 0,5 W (grüner Modus)/ < 2 W					

Monitor Audio behält sich das Recht vor, die technischen Daten ohne vorherige Ankündigung zu ändern.



Presentación_____	50	Conexión a una red _____	55
Información de las conexiones_____	51	Configuración del amplificador Connect a través del portal web_____	56
IA150-2_____	51	Ajustes básicos (Basic Settings)_____	56
IA60-12_____	51	Ajustes de entrada/salida (Input/ Output Settings)_____	57
IA200-2C_____	52	Configuración DSP_____	58
IA150-8C_____	52	Códigos de mando a distancia por infrarrojos_____	60
IA800-2C_____	53	Solución de problemas_____	60
Descripción de las conexiones_____	53	Garantía_____	60
Indicadores LED_____	54	Información del usuario_____	60
Canales en puente_____	54	Especificaciones_____	61
Pies_____	55		
Montaje del amplificador en soporte_____	55		

## Presentación

Presentamos los amplificadores con instalación de Monitor Audio, pensados para ofrecer un mayor rendimiento en un menor espacio. Gracias a su tecnología de vanguardia, reproduce la mejor calidad de sonido en cualquier proyecto de instalación. Los amplificadores multicanal se pueden usar para una amplia variedad de aplicaciones en establecimientos comerciales y residenciales, y alcanzan una potencia de 2000 vatios. Los canales de sonido se pueden instalar de forma flexible en grupo o en puente. Además, pueden configurar hasta 12 canales.

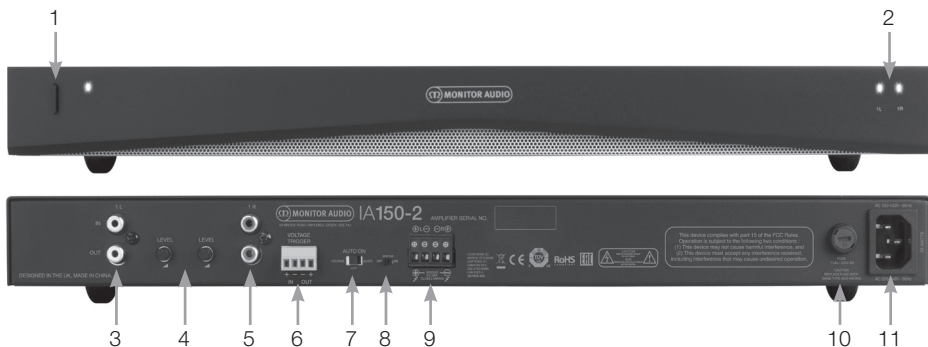
Para garantizar la fiabilidad y la excepcional calidad de sonido que cabe esperar de Monitor Audio, hemos seleccionado los amplificadores de fama mundial Hypex y hemos reducido su tamaño a carcasas 1U y 2U, que se adaptan de forma universal a la mayoría de los soportes y ofrecen el 93 % de eficiencia energética.

Todos los amplificadores cuentan con conectividad completa por disparador de voltaje alámbrico sencillo o sensor de señal.

Los amplificadores Connect incluyen controles más complejos DSP e IP, para ofrecer una mayor flexibilidad e integración.

# Información de las conexiones

## IA150-2



### PANEL FRONTAL

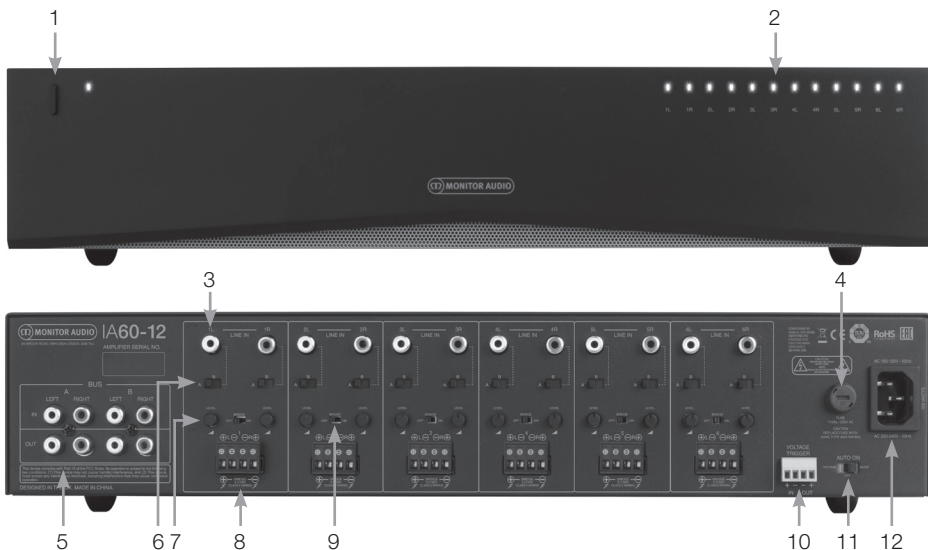
1. Botón de encendido
2. Indicador de canal LED

### PANEL TRASERO

3. Entrada/salida RCA de canal izquierdo
4. Control de volumen
5. Entrada/salida RCA de canal derecho
6. Disparador de entrada/salida

7. Interruptor de encendido automático
8. Interruptor de encendido/apagado de puente
9. Conector de bloqueo de altavoces
10. Portafusibles CA
11. Conexión de alimentación por cable

## IA60-12



### PANEL FRONTAL

1. Botón de encendido
2. Indicador de canal LED

### PANEL TRASERO

3. Entradas RCA de canal
4. Portafusibles CA
5. Entradas/salidas bus RCA
6. Interruptor de entrada de canal
7. Control de volumen
8. Conector de bloqueo de altavoces

9. Interruptor de encendido/apagado de puente
10. Disparador de entrada/salida
11. Interruptor de encendido automático
12. Conexión de alimentación por cable

ESPAÑOL

## IA200-2C



### PANEL FRONTAL

1. Botón de encendido
2. Indicador de canal LED
3. Control de volumen de salida

### PANEL TRASERO

4. Entrada y salida de control por infrarrojos
5. LED de estado de infrarrojos de canal
6. Entradas/salidas RCA de canal
7. Entrada/salida de disparador de voltaje

8. Conexión Ethernet (RJ-45)
9. Conector de bloqueo de altavoces
10. Portafusibles CA
11. Conexión de alimentación por cable

## IA150-8C



### PANEL FRONTAL

1. Botón de encendido
2. Indicador de canal LED
3. Control de volumen de salida

### PANEL TRASERO

4. Entrada/salida de control por infrarrojos
5. LED de estado de infrarrojos de canal
6. Conexión Ethernet (RJ-45)
7. Entrada/salida de disparador de voltaje

8. Conector de bloqueo de altavoces
9. Entradas/salidas RCA de canal
10. Portafusibles CA
11. Conexión de alimentación por cable

IA800-2C



**PANEL FRONTAL**

- 1. Botón de encendido
- 2. Indicador de canal LED
- 3. Control de volumen de salida

**PANEL TRASERO**

- 4. Conector de bloqueo de altavoces
- 5. Entradas/salidas RCA de canal
- 6. Entrada/salida de disparador de voltaje

- 7. Entrada/salida de control por infrarrojos
- 8. LED de estado de infrarrojos
- 9. Conexión Ethernet (RJ-45)
- 10. Portafusibles CA
- 11. Conexión de alimentación por cable

Descripción de las conexiones

**Portafusibles CA**

En este compartimento se guarda el fusible interno del amplificador. En caso de que en algún momento sea necesario cambiar el fusible, se puede abrir el compartimento introduciendo un objeto de punta plana, como un destornillador, y girándolo en sentido contrario al de las agujas del reloj. Consulte la información impresa en el producto o bajo el portafusibles para conocer las especificaciones correctas sobre los fusibles.

**Botón de encendido**

Este es el interruptor de alimentación principal del amplificador. No se olvide de apagar el amplificador si no lo usa durante largos periodos.

**Control de volumen de salida**

**Solo modelos Connect.**

Utilice un destornillador de punta plana para subir o bajar el volumen de salida. Esta sección corresponde a «Volumen de salida» (Output Volume) en el portal web. Véase la página 58. Gire en sentido contrario al de las agujas del reloj si se producen cortes o distorsión (tal y como indica el LED de canal en la parte frontal) o en sentido horario para aumentar el volumen.

**Entradas RCA de canal**

Conectores RCA estéreo izquierdo y derecho para conectar las fuentes de sonido. Los modelos con un

número mayor de canales, como el IA60-12, incluyen más entradas para el número de canales de salida disponibles.

**Salidas RCA de canal**

Conectores RCA estéreo izquierdo y derecho para conectar a dispositivos de reproducción externos, como subwoofers activos o a amplificadores adicionales.

**Control de volumen**

**Solo para IA150-2 e IA60-12.**

Se usa para subir o bajar el volumen de salida. Baje el volumen si los altavoces se entrecortan y súbalo si el volumen de salida es demasiado bajo.

**Conexión Ethernet (RJ-45)**

**Solo modelos Connect.**

Se usa para conectar a una red alámbrica. Una vez conectado, los demás dispositivos de la red podrán ver el amplificador. Consulte la página 56 para averiguar cómo configurar su amplificador Connect.

**Entrada y salida de disparador de voltaje**

Se puede configurar la conexión del disparador en la entrada/salida de otro dispositivo. Si se usa la entrada, el amplificador se encenderá o apagará con el dispositivo conectado. Si se usa la salida, el dispositivo conectado se encenderá o apagará con el amplificador.

## Interruptor de encendido automático

### Solo para IA150-2 e IA60-12.

Hay tres ajustes: Tensión (Voltage), Sonido (Audio) y Apagado (Off). En el ajuste de tensión, se usará el método del disparador para activar el amplificador desde el estado de reposo. En el ajuste de sonido, el amplificador se activará desde el estado de reposo si existe una señal de sonido. Volverá al estado de reposo si no hay ninguna señal durante 15 minutos. En el estado de apagado, el amplificador solo se puede encender y apagar de forma manual.

## Interruptor de puente

### Solo para IA150-2 e IA60-12.

Encienda o apague el modo de puente. Si está activado, se combinan dos salidas para generar más potencia de salida.

## Entradas bus RCA

### Solo IA60-12.

Entradas RCA estéreo izquierda y derecha para conectar las fuentes de sonido. A diferencia de los conectores RCA de canal, las entradas bus RCA se pueden dirigir a múltiples canales de salida.

## Salidas bus RCA

### Solo IA60-12.

Salidas RCA estéreo izquierda y derecha. Se puede usar si quiere realizar una conexión en cadena margarita entre la señal de entrada bus y dispositivos externos o amplificadores adicionales.

## Interruptor bus

### Solo IA60-12.

Seleccione la entrada de fuente de sonido para el canal del amplificador.

## Conector de bloqueo de altavoces

Admite hasta 12 cables para conectar altavoces. Consulte la siguiente columna de esta página.

## Entrada de infrarrojos

Conecte un receptor de infrarrojos a esta entrada para controlar el amplificador con mandos a distancia programables. Consulte la página 60 para ver los comandos discretos o códigos hexadecimales.

## Salida de infrarrojos

Para usarse con un repetidor de infrarrojos o vinculado a la entrada de infrarrojos de otros amplificadores, esta opción permite que varios dispositivos reciban el mismo comando desde un único mando a distancia. Por ejemplo, se puede usar el comando de encendido o apagado para toda una instalación de amplificadores en conjunto, y no solo individualmente.

## Indicadores LED

### LED de alimentación (naranja):

LED naranja oscuro: modo de reposo

LED naranja brillante: encendido

LED naranja brillante parpadeante: identificando modo o actualizando

### LED de canal (LED dual naranja/blanco):

LED apagado: no hay señal

LED naranja: señal detectada

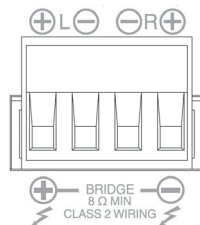
LED blanco: el canal se corta o el amplificador ha entrado en modo de protección

LED blanco parpadeante: protección térmica

Si experimenta patrones LED de cortes o protección térmica, baje el volumen. Si el problema persiste, consulte la sección «Solución de problemas» en la página 60.

## Conexión de los altavoces

Todos los amplificadores incluyen conectores de bloqueo de altavoces para conectarlos de forma segura. Los bloques son extraíbles para poder acceder con facilidad. Con un destornillador de punta plana, afloje las cabezas de los tornillos de la parte superior del bloqueo de altavoces e introduzca hasta 12 cables de altavoz en los orificios frontales. Apriete los tornillos para sujetar el cable del altavoz en su posición.

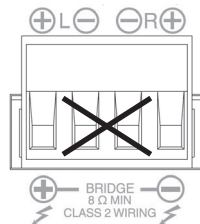


## Canales en puente



**ADVERTENCIA: La impedancia de altavoz mínima para el funcionamiento en puente es 8 ohmios. No conecte ningún altavoz en modo de puente que tenga menos de 8 ohmios de impedancia nominal.**

1. Establezca el interruptor de puente de la zona en posición de encendido. Consulte la sección «Información de las conexiones».
2. Conecte el cable del altavoz «+» al conector de canal izquierdo marcado con «+» y el cable del altavoz «-» al conector de canal derecho marcado con «+». Las salidas «-» no se usan.



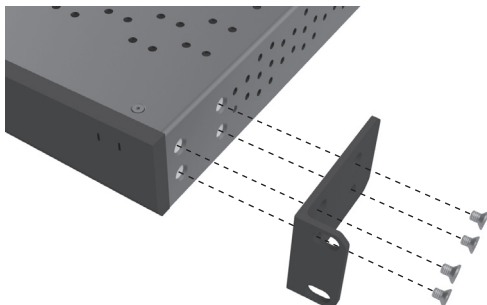


## Pies

Todos los modelos de amplificadores incluyen cuatro pies de goma para su uso fuera del soporte. Para acoplar los pies, solo tiene que atornillarlos en sus correspondientes orificios en la base del amplificador.

## Montaje del amplificador en soporte

Todos los modelos de amplificadores incluyen sujeciones de soporte para montar el amplificador en soportes estándar de 19 pulgadas (482 mm). Para acoplar las sujeciones, extraiga los cuatro tornillos de los lados del amplificador hacia la parte delantera. Coloque las sujeciones en los orificios que han quedado al descubierto y emplee los mismos tornillos para fijarlas.



## Alimentación del amplificador

Todos los modelos incluyen un cable de alimentación IEC. Siempre que el cable de alimentación del amplificador se conecta y se enciende el interruptor de encendido, todas las salidas de canal se desconectan durante aproximadamente 12 segundos y todos los LED indicadores de canal se iluminan brevemente mientras el amplificador se enciende.



**NOTA: No encienda el interruptor de la toma de pared hasta que todas las conexiones del sistema se hayan realizado.**

## Conexión a una red



**NOTA: Esta sección se aplica solo a modelos Connect.**

1. Conecte el amplificador a un interruptor de red mediante un cable Ethernet. Asegúrese de que el ordenador y el amplificador estén en la misma red.
2. Encienda el amplificador.
3. El amplificador recibirá una dirección IP del interruptor de red.
4. Ejecute una aplicación de búsqueda de dirección IP, como Advanced IP Scanner (solo Windows), que podrá descargar de forma gratuita aquí: <https://www.advanced-ip-scanner.com>
5. Inicie Advanced IP Scanner (o la aplicación que desee) e introduzca el rango de IP de su red (gestionada por su enrutador) en la barra de búsqueda de la parte superior. Haga clic en Explorar (Scan) para buscar.
6. La dirección IP del amplificador en la lista tendrá una opción de menú desplegable. Si hace clic en ella, irá directamente a la página de configuración web del amplificador.

Si lo prefiere, puede acceder a todas las direcciones IP de la red desde la página de configuración del enrutador.

Cuando haya averiguado la dirección IP del amplificador, puede introducirla en cualquier navegador web y abrir el acceso al portal web.

# Configuración del amplificador

## Connect a través del portal web

### Ajustes básicos (Basic Settings)

Aquí se pueden editar los ajustes generales más básicos del amplificador. En la siguiente sección trataremos cada una de las funciones de esta pestaña.



**NOTA: Algunos de los cambios realizados en el portal web no se verán hasta que la página se actualice de forma manual o se desplace a una de las otras páginas.**

The screenshot shows the 'Basic Settings' page of the amplifier's web interface. It includes sections for: Information (Device Name, Model, Customer Name, Dealer Name, Installer Name, Installation Date, Firmware Version, Serial Number), Network (DHCP status, IP Address, IP Subnet Mask), Identification Mode (Flash Power Switch), Print (Print - All Settings, Print button), Save & Restore (Save, Restore buttons), Load Global Preset (Active, Select, Edit fields, Global Preset1 dropdown, Reset, Load buttons), Import/Export Global Preset (All Presets, Single Preset, Import, Export buttons), Duplicate Global Preset (From, To fields, Global Preset1 dropdown, Duplicate button), Reset (Factory Reset, Reset button), and Update (Firmware Update, Update button).

### Información (Information)

Aquí puede añadir un nombre para el amplificador e introducir los datos de la instalación para consultarlos en el futuro. Aquí se muestra el modelo del amplificador, la versión del firmware y el número de serie. No se pueden editar.

### Red (Network)

**Dirección IP (IP Address):** Muestra la dirección IP actual que se usa cuando el DHCP está habilitado. Cuando el DHCP está deshabilitado, aquí puede introducir la dirección IP estática que desee.

### Máscara de subred de IP (IP Subnet Mask):

Muestra la máscara de subred de IP actual que se usa cuando el DHCP está habilitado. Cuando el DHCP está deshabilitado, aquí puede introducir la máscara de subred de IP que desee.



**NOTA: Si cambia la dirección IP o la máscara de subred, tendrá que introducir la nueva en el navegador web para volver a acceder al portal web del amplificador.**

### Modo de identificación (Identification Mode)

Si esta opción está activada, el LED de encendido frontal empezará a parpadear. Esta opción es útil para identificar cuál es el amplificador que se está configurando en caso de que se usen varios.

### Imprimir (Print)

Pulse esta opción para abrir una página imprimible con todos los ajustes actuales del amplificador.

### Alimentación (Power ON)

Aquí puede seleccionar entre varios métodos de alimentación (descritos a continuación) el que mejor se adapte a su instalación. También se puede establecer un temporizador de encendido de entre 0 y 20 segundos, lo que resulta útil si quiere que una serie de amplificadores se enciendan en una determinada secuencia.

**Botón de encendido (Power Button):** Apaga la detección de señal y el disparador de voltaje. El estado de encendido se controla solo con el botón de encendido de la unidad.

**Sonido (Audio):** Este modo usa la detección de señal para encender el amplificador. Además, es posible comunicarse en red. En este modo, el amplificador consume hasta 2 W en modo de reposo.

**Disparador de voltaje (Voltage Trigger):** Enciende el amplificador con un disparador de voltaje de 12 V.

**Sonido en verde (Audio Green):** Este modo usa la detección de señal para encender el amplificador. Volverá al estado de reposo si no hay ninguna señal durante 15 minutos. Si está en modo de reposo, se desactiva la comunicación en red. Para comunicarse con el amplificador, debe activarse desde el estado de reposo. En este modo, el amplificador consume hasta 0,5 W en modo de reposo.

**Voltaje en verde (Voltage Green):** Este modo usa el disparador de voltaje para encender y apagar el amplificador. Si está en modo de reposo, se desactiva la comunicación en red. Para comunicarse con el amplificador, debe activarse desde el estado de reposo. **NOTA:** En este modo, el amplificador consume hasta 0,5 W en modo de reposo.

Modo de alimentación	Alimentación en reposo	Comunicación de red en reposo
<b>Botón de encendido</b>	No disp.	No disp.
<b>Sonido</b>	2 W	Sí
<b>Disparador de voltaje</b>	2 W	Sí
<b>Sonido en verde</b>	0,5 W	No
<b>Voltaje en verde</b>	0,5 W	No

**NOTA: Le recomendamos que compruebe el firmware en cada instalación. El firmware más reciente se puede encontrar en nuestro sitio web: [monitoraudio.com](http://monitoraudio.com)**

## Ajustes de entrada/salida (Input/ Output Settings)

Aquí puede configurar la ruta de cada entrada a una salida seleccionada. También se pueden establecer parámetros como el nivel de recorte, el modo, el desplazamiento de ganancia y el volumen. Y puede activar los modos del amplificador como 70 V en línea (solo en IA800-2C) o puente.

### Guardar y restablecer (Save & Restore)

Aquí se pueden guardar todos los ajustes en un archivo, que después se puede utilizar para restablecerlos si es necesario.

### Cargar preajuste global (Load Global Preset)

**Preajuste global activo (Active Global Preset):** Muestra el preajuste predeterminado global activo (aparece el nombre del preajuste global activo actual, no es un campo de entrada de texto) con un botón de restablecimiento para restablecer ese preajuste activo a los ajustes predeterminados.

### Selecciona preajuste global (Select Global Preset):

Seleccione qué ajuste quiere editar e implementar en un menú desplegable.

El botón de carga (Load) que está junto al menú desplegable activa el reajuste seleccionado y reinicia el amplificador tras la confirmación en el mensaje emergente. El preajuste global activo cambiará cuando se actualice la página web.

### Editar nombre de preajuste (Edit Preset name):

Campo de texto para editar el nombre del reajuste seleccionado actualmente en el menú desplegable.

### Importar/exportar preajuste global (Import/ Export Global Preset)

**Todos los preajustes (All Presets):** Importa/exporta todos los preajustes globales desde o a un archivo.

**Preajuste individual:** Importa/exporta un preajuste global desde el menú a o desde un archivo.

### Duplicar preajuste global (Duplicate Global Preset)

Copiar preajuste global X a preajuste global Y. Ambos se pueden seleccionar en los menús desplegables.

### Restablecer (Reset)

#### Restablecer los ajustes de fábrica (Factory Reset):

Este botón restablece todos los ajustes y preajustes (globales y DPS) a sus valores predeterminados de fábrica. Si se pulsa el LED de encendido del amplificador, parpadeará y, a continuación, se reiniciará.

### Actualizar (Update)

**Actualización de firmware (Firmware Update):** Este botón instalará el firmware (archivo .bin) elegido por el usuario. Si la actualización se realiza correctamente, aparecerá una notificación en el portal web. Siga las instrucciones y después reinicie el amplificador y vuelva a la página «Ajustes básicos» (Basic setting). El firmware más reciente estará disponible para descargar en nuestro sitio web: [monitoraudio.com](http://monitoraudio.com)



**NOTA: Algunos de los cambios realizados en el portal web no se verán hasta que la página se actualice de forma manual o se desplace a una de las otras páginas.**

### Configuración de entrada (Input Setup)

Aquí aparecen todos los canales de entrada disponibles. Se pueden personalizar los nombres de las entradas y el nivel de recorte se puede ajustar para cada canal en +/- 6 dB. El nivel de recorte es el nivel de entrada antes de ser amplificado.

### Configuración de salida (Output Setup)

**Canal (Channel):** Seleccione un canal de salida para editar. Cuando selecciona un canal en un menú desplegable, sus canales equivalentes también aparecerán en el otro menú desplegable (es decir, si selecciona el canal 1 IZQUIERDA [LEFT] en el menú desplegable de la parte izquierda, aparecerá 1 DERECHA [RIGHT] en el menú desplegable de la parte derecha).

**Nombre de salida (Output Name):** Entrada de texto para el nombre de salida de canal.

**Estéreo/mono (Stereo/ Mono):** Selecciona estéreo/mono para cada canal. Si selecciona Mono, los canales de entrada L y D se añaden a Mono en las salidas seleccionadas.

**Preajustes DSP (DSP Preset):** Selecciona los preajustes DSP guardados para aplicarlos al canal de salida. Siempre se seleccionarán de forma individual en cada canal, nunca conectados entre pares estéreo.

**Zona de control (Control Zone):** Selecciona A, B, C, D... (Número de grupos = número de canales de salida). Esta opción agrupa los ajustes de volumen de salida, activación de volumen y silencio en canales que tengan la misma zona de control seleccionada. Para controlar varios canales como una sola zona.

**Modo de amplificación (Amp Mode):** Selecciona entre los modos estéreo y puente. También se usa para seleccionar el modo 70 V en el IA800-2C.

**Volumen de salida (Output Volume)**

**Canal (Channel):** Selecciona el canal de salida para editar. Cuando selecciona un canal en un menú desplegable, sus canales equivalentes también aparecerán en el otro menú desplegable, como se ve arriba. Las siguientes opciones controlan la salida del canal seleccionado:

- Volumen de salida (Output Volume): Está vinculado al dial de control de la parte frontal. Ajustar el dial de la parte frontal cambia el valor de la página web (cuando se actualiza). Este dial no cambia si se ajusta en la página web.

- Activar volumen
- Mute (Silencio)

**Zona de control (Control Zone):** Selecciona la zona de control. Las siguientes opciones controlan la salida de la zona seleccionada:

- Volumen máximo (Maximum Volume)
- Desplazamiento de ganancia (Gain Offset)

**Fuente de salida (Output Source)**

**Canal (Channel):** Selecciona el canal de salida para editar la ruta. Cuando selecciona un canal en un menú desplegable, sus canales equivalentes también aparecerán en el otro menú desplegable, como se ve arriba.

**Fuente 1 (Source 1):** Selecciona la fuente de entrada principal para dirigirla al canal seleccionado.

La fuente principal siempre está conectada en estéreo, así que si, por ejemplo, se selecciona 1L para el canal izquierdo, se seleccionará automáticamente 1R para el canal derecho.

**Fuente 2 (Source 2):** Selecciona la fuente de entrada secundaria para dirigirla al canal seleccionado.

La fuente secundaria se puede seleccionar individualmente y no tiene por qué estar conectada en estéreo.

**Seleccionar fuente (Source Select):** Selecciona entre la fuente principal 2 (Priority Source 2), solo la fuente 1 (Source 1) o combinación (Mix).

Si lo hace, bien la fuente 1, la fuente 2 o una combinación (de la fuente 1 y la 2) se dirigirán al canal de salida seleccionado. Ajustes predeterminados: Fuente 1.

## Configuración DSP

En la pestaña de configuración DSP, se pueden realizar los ajustes finales al sonido con un EQ paramétrico de 10 bandas, que se pueden guardar como preajustes para después exportar e importar.



**NOTA: Algunos de los cambios realizados en el portal web no se verán hasta que la página se actualice de forma manual o se desplace a una de las otras páginas.**

The screenshot shows the DSP Configuration page for a Monitor Audio device. At the top, there are tabs for 'Basic Settings', 'Input/Output Settings', and 'DSP Configuration'. The main content area is divided into several functional blocks:

- Allocate Preset:** Allows setting Output Channel (1 LEFT, 1 RIGHT), Output Name (Output 1L, Output 1R), and DSP Preset (Preset Off, Preset Off).
- Test Signal:** Includes Stimulus (Pink Noise), Volume Level (-20, -20), and On/Off (OFF, OFF) settings for both channels.
- Import/Export Preset:** Features 'All Presets' (Import, Export) and 'Single Preset' (Import, Export) buttons.
- Duplicate Preset:** Allows duplicating a preset from 'From' (Preset1) to 'To' (Preset1).
- Select DSP Preset:** A dropdown menu currently showing 'Preset1'.
- Edit Preset Name:** A field for 'Preset1' and a 'Reset' button.
- EQ Graph:** A frequency response graph with a logarithmic x-axis (20 to 20000 Hz) and a linear y-axis (-18dB to 18dB).
- EQ Parameter:** A table for 10 EQ bands (EQ1-EQ10) with columns for On/Off, Frequency (1000 Hz), and EQ-Q (1).
- EQ - Gain +/- dB:** A row of gain settings for each band, all currently set to 0.
- Tilt Control:** Includes 'Low Tilt' and 'High Tilt' sections with Frequency (100, 5000) and Gain (0, 0) settings.
- Crossover:** Features 'LP Crossover' and 'HP Crossover' with Frequency (80, 80) and Filter Type (24dB, 24dB) settings.
- Delay:** Input fields for 'm Sec' (0), 'Feet' (0), and 'Metres' (0).
- Limiter:** A 'Level' dropdown menu currently set to 'OFF'.

## Asignar preajuste

**Canal de salida (Output Channel):** Selecciona el canal para editar y selecciona el preajuste DSP de salida. Cuando selecciona un canal en un menú desplegable, su canal asociado también aparecerá en el otro menú desplegable, de forma opuesta.

**Nombre de salida (Output Name):** Entrada de texto para el nombre de canal. Si se cambia aquí, también se cambiará en la página de ajustes de entrada/salida.

**Preajustes DSP (DSP Preset):** Selecciona los preajustes DSP guardados para aplicarlos al canal de salida. Siempre se seleccionarán de forma individual en cada canal, nunca conectados entre pares estéreo.

## Input signal (Señal de entrada)

**Canal de salida (Output Channel):** Selecciona el canal de salida al que dirigir la señal de prueba. Cuando selecciona un canal en un menú desplegable, sus canales equivalentes también aparecerán en el otro menú desplegable, como se ve arriba.

**Estímulo (Stimulus):** Selecciona ruido rosa (Pink Noise) o cualquier canal de entrada para dirigir a la salida seleccionada temporalmente.

**Nivel de volumen (Volume Level):** El nivel de volumen del estímulo del canal seleccionado en dB.

**Encendido/apagado (On/ Off):** Enciende o apaga el estímulo seleccionado. Se apaga de forma predeterminada al salir de la página de configuración DSP.

## Importar/exportar preajuste (Import/ Export Preset)

**Todos los preajustes (All Presets):** Importa/exporta todos los preajustes DSP desde o a un archivo.

**Preajuste individual (Single Preset):** Importa/exporta el preajuste DSP seleccionado actualmente a o desde un archivo.

## Duplicar preajuste (Duplicate Preset)

Copiar el preajuste DSP X al preajuste DSP Y. Ambos se pueden seleccionar en los menús desplegables.

## Seleccionar/cambiar nombre a preajuste DSP (Select/ Rename DSP Preset)

**Seleccionar preajuste DSP (Select DSP Preset):** El preajuste seleccionado guarda automáticamente los cambios realizados a los ajustes EQ en la sección de a continuación.

**Editar nombre de preajuste (Edit Preset Name):** Campo de entrada de texto para cambiar el nombre del preajuste por un nombre personalizado.

**Restablecer (Reset):** Restablece todos los nombres y ajustes del preajuste seleccionado actual a sus valores predeterminados.

## Gráfico EQ (EQ Graph)

Muestra la curva de los ajustes de EQ.

## Parámetro EQ (EQ Parameter)

10 bandas de EQ paramétrico con los siguientes ajustes configurables:

**EQ encendido/apagado (EQ – On/ Off):** Se usa para encender la banda de frecuencia y activar los cambios de parámetros aplicados.

**Frecuencia EQ (EQ Frequency):** Este es el punto central del ancho de banda de frecuencia en el que se aplican los cambios.

**EQ – Q (EQ – Q):** El factor Q controla el ancho de banda que se verá afectado por el ecualizador (rango numérico entre 0,3-24). Cuanto menor sea el factor Q, mayor el ancho de banda (y más frecuencias a ambos lados del punto central se verán afectadas). Cuanto mayor sea el factor Q, más estrecho será el ancho de banda (y menos frecuencias se verán afectadas).

**EQ – Ganancia +/- dB (EQ – Gain +/- dB):** El aumento o disminución de ganancia/volumen en la frecuencia seleccionada.

## Control de inclinación (Tilt Control)

Aquí se puede establecer un cambio de ganancia para permanecer constante por debajo o por encima de una frecuencia establecida. Se puede aplicar un filtro de EQ de inclinación a frecuencias más altas o más bajas con los siguientes ajustes configurables:

**Inclinación encendido/apagado (Tilt On/ Off):** Se usa para encender el filtro de EQ de inclinación alto o bajo para activar los cambios de parámetros aplicados.

**Frecuencia (Frequency):** Punto de inicio de frecuencia del ajuste de filtro de inclinación.

**Ganancia (Gain):** El aumento o disminución de ganancia/volumen.

## Separación (Crossover)

Aquí es donde se pueden aplicar los filtros de separación de paso alto (HP) o paso bajo (LP). Es muy útil cuando se usan subwoofers pasivos (se usa un filtro LP) o pequeños satélites que no admiten frecuencias bajas (filtro HP). Establezca los filtros de paso alto o paso bajo con los siguientes ajustes configurables.

## Separación encendido/apagado (Crossover On/Off):

Se usa para encender el filtro de paso alto o paso bajo para activar los cambios de parámetros aplicados.

**Frecuencia de corte (Cut off Frequency):** Establece el punto de -6 dB de cada filtro de separación de paso alto o paso bajo.

**Tipo de filtro (Filter Type):** Se puede seleccionar entre 6, 12, 18, 24 dB por octavo para cada filtro de separación de paso alto o paso bajo. Cuanto mayor sea la cifra, más pronunciado será el ángulo de corte de la inclinación.

## Retardo (Delay)

Campos de entrada de texto para seleccionar el retardo en milisegundos, pies o metros.

Cuando se introduce un número para 1 unidad, las otras 2 unidades se calculan automáticamente.

## Limitador (Limiter)

**Nivel (Level):** Nivel del limitador, que se puede seleccionar entre Apagado, -3 dB, -6 dB, -9 dB. Está diseñado para limitar el nivel de una señal por encima del umbral establecido, y así impedir ganancias adicionales sobre este punto y daños potenciales a los altavoces.

## Códigos de mando a distancia por infrarrojos

### **Solo modelos Connect.**

Los amplificadores Connect tienen entrada y salida de infrarrojos para usarse con mandos a distancia universales. Los comandos de los amplificadores se ajustan al protocolo NEC estándar y se pueden descargar en: **monitoraudio.com**

## Solución de problemas

### Indicadores LED de fallos:

#### **LED blanco: el canal se corta/modo de protección**

Si la señal de entrada es demasiado alta, el LED de canal se iluminará en blanco fijo. Si esto sucede, reduzca el nivel de entrada del amplificador o baje el volumen de la fuente de sonido.

#### **LED blanco parpadeante: protección térmica**

Si esto sucede, le recomendamos que apague el amplificador y lo deje enfriar hasta la temperatura ambiente antes de volver a encenderlo.

### Otros fallos:

#### **No hay alimentación**

Si el amplificador no recibe alimentación, compruebe el fusible del interior del enchufe (si existe) y el fusible interno del amplificador (consulte la sección «Información de las conexiones» en la página 51).

#### **No hay sonido**

Asegúrese de comprobar todas las conexiones y cables. Si el amplificador es modelo Connect, asegúrese de que los canales están dirigidos correctamente y no silenciados.

Si el amplificador está configurado en modo de puente, asegúrese de que los interruptores/ajustes y el cableado están correctamente configurados.

Si sigue sin sonar o el modo de fallo sigue activo, póngase en contacto de inmediato con su distribuidor local o con Monitor Audio.

## Garantía

Tanto la mano de obra como el funcionamiento del producto están garantizados respecto a defectos de fabricación durante **cinco** (5) años a partir de la fecha de compra (consulte las condiciones en el manual «Instrucciones importantes de seguridad»), siempre que el producto fuera suministrado por un distribuidor autorizado de Monitor Audio conforme al contrato de venta para cliente final.

Para ayudarnos a encontrar la información de su garantía en nuestra base de datos de clientes —en caso de que resulte necesario—, dedique unos minutos a registrar sus productos en el siguiente sitio web: **monitoraudio.com**

## Información del usuario

### **Información del producto**

Modelo: \_\_\_\_\_

N.º de serie del producto: \_\_\_\_\_

Fecha de compra: \_\_\_\_\_

### **Información del distribuidor**

Nombre del distribuidor: \_\_\_\_\_

Dirección: \_\_\_\_\_

Código postal: \_\_\_\_\_

Correo electrónico: \_\_\_\_\_

# Especificaciones

Modelo	IA150-2	IA60-12	IA200-2C	IA150-8C	IA800-2C	
<b>Control de IP de Connect</b>	No disp.	No disp.	Si	Si	Si	
<b>Número de canal</b>	2 (un par estéreo)	12 (6 pares estéreo)	2 (un par estéreo)	8 (4 pares estéreo)	2 (un par estéreo)	
<b>Alimentación (Vatios/canal)</b>	4 ohmios	150 W	60 W	200 W	150 W	800 W
	8 ohmios	100 W	45 W	150 W	140 W	500 W
	Puente (8 ohmios)	320 W (1 CNL.)	100 W (6 CNL.)	470 W (1 CNL.)	300 W (4 CNL.)	2000 W (1 CNL.)
	70 V	No disp.	No disp.	No disp.	No disp.	800W (2 CNL.)
<b>Impedancia de entrada</b>	20 000 ohmios					
<b>Impedancia de salida (RCA en bucle)</b>	600 ohmios					
<b>Sensibilidad de entrada</b>	100 mV/1 W - 1000 mV Máxima potencia	100 mV/1 W 700 mV Máxima potencia	100 mV/1 W - 1230 mV Máxima potencia	100 mV/1 W - 1140 mV Máxima potencia	100 mV/1 W - 2200 mV Máxima potencia	
<b>Tensión de entrada máxima (RMS)</b>	2,9 V					
<b>Relación señal a ruido (SN:R)</b>	-100 dB (20 Hz - 20 kHz)					
<b>Respuesta de frecuencia (-3 dB)</b>	5 Hz – 50 kHz					
<b>Distorsión armónica total (THD + N@1 kHz)</b>	0,03 % @ 1 W					
<b>Altura del soporte</b>	1 U	2 U	1 U		2 U	
<b>Dimensiones - Sin pie (Al x An x P)</b>	42,4 x 438 x 427 mm 1 11/16 x 17 1/4 x 16 13/16 pulgadas	86,8 x 438 x 427 mm 3 7/16 x 17 1/4 x 16 13/16 pulgadas	42,4 x 438 x 427 mm 1 11/16 x 17 1/4 x 16 13/16 pulgadas		86,8 x 438 x 438 mm 3 7/16 x 17 1/4 x 16 13/16 pulgadas	
<b>Dimensiones - Con pie (Al x An x P)</b>	52,8 x 438 x 427 mm 2 1/16 x 17 1/4 x 16 13/16 pulgadas	97,2 x 438 x 427 mm 3 13/16 x 17 1/4 x 16 13/16 pulgadas	52,8 x 438 x 427 mm 2 1/16 x 17 1/4 x 16 13/16 pulgadas		97,2 x 438 x 438 mm 3 13/16 x 17 1/4 x 16 13/16 pulgadas	
<b>Ancho con soporte incluido</b>	482 mm 19"					
<b>Peso</b>	5,29 kg	7,34 kg	5,3 kg	7,45 kg	9,2 kg	
<b>Comunicación IP</b>	No disp.	No disp.	TCP/IP (RJ-45 10/100 Base T)			
<b>Tensión de funcionamiento principal</b>	100-120 V a 60 Hz, 220-240 V a 50 Hz					
<b>Calificación de fusible</b>	5 A (T5AL ~ 250 VAC)	10 A (T10AL ~ 250 VAC)	5 A (T5AL ~ 250 VAC)	10 A (T10AL ~ 250 VAC)	15 A (T15AL ~ 250 VAC)	
<b>Consumo en reposo</b>	<0,5 W (modo ecológico)/ <2 W					

Monitor Audio se reserva el derecho a modificar estas especificaciones sin previo aviso.



Introdução	62	Ligação a uma rede	67
Visão geral das ligações	63	Configuração do amplificador 'Connect' utilizando o portal web	68
IA150-2	63	Definições básicas	68
IA60-12	63	Definições de entrada/saída (Input/Output Settings)	69
IA200-2C	64	Configuração DSP (DSP Configuration)	70
IA150-8C	64	Códigos do controlo remoto por infravermelhos	72
IA800-2C	65	Resolução de problemas	72
Descrições das ligações	65	Garantia	72
Indicadores LED	66	Informações do proprietário	72
Canais em ponte	66	Especificações	73
Pés	67		
Montagem em armário do seu amplificador	67		

## Introdução

Apresentamos os Amplificadores de Instalação Monitor Audio, construídos para fazer mais e ocupar menos espaço, e que incluem tecnologia de vanguarda para o melhor desempenho de som, em qualquer projeto de instalação. Os amplificadores multicanais podem ser utilizados numa ampla variedade de aplicações, em propriedades residenciais e comerciais com uma potência até 2000 watts. Os canais áudio podem ser agrupados ou instalados em ponte para obtenção de instalações flexíveis, configuráveis até 12 canais.

Selecionámos os amplificadores Hypex, de reputação mundial, para garantir fiabilidade e a excelente qualidade de som que seria de esperar da Monitor Audio, reduzidos em esguias caixas altas 1U e 2U que se adaptam universalmente à maioria dos armários, proporcionando uma eficiência energética de 93%.

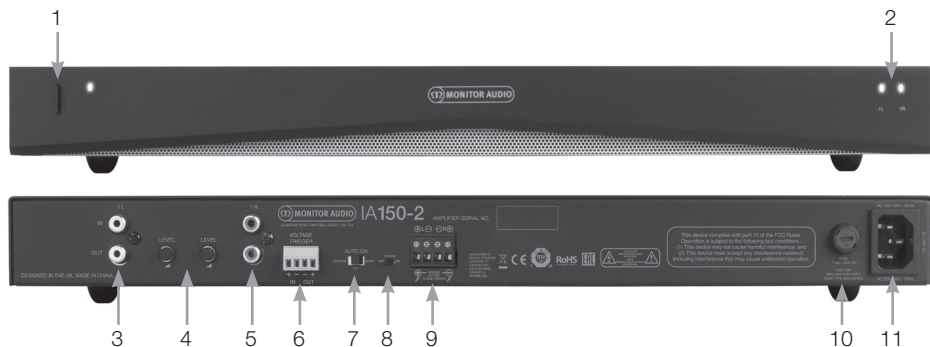
Todos os amplificadores possuem conectividade total, com sensor de sinal e disparador de tensão, com ligação simples.

Os amplificadores 'Connect' incluem um controlo DSP e IP mais complexo, oferecendo maior flexibilidade e integração.



# Visão geral das ligações

## IA150-2



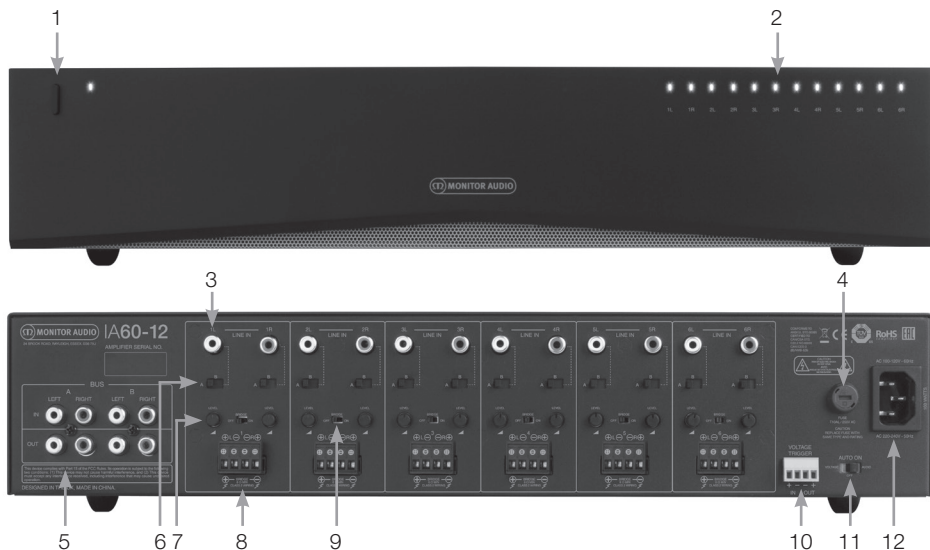
### PAINEL FRONTAL

1. Botão de alimentação
2. LED indicador de canal

### PAINEL TRASEIRO

3. Entrada/saída RCA de canal esquerdo
4. Controlo do nível de volume
5. Entrada/saída RCA de canal direito
6. Entrada/saída do disparador
7. Seletor de ligação automática
8. Seletor para ligar/desligar ponte
9. Conector de colunas
10. Suporte de fusível CA
11. Ligação do cabo de alimentação

## IA60-12



### PAINEL FRONTAL

1. Botão de alimentação
2. LED indicador de canal

### PAINEL TRASEIRO

3. Entradas de canal RCA
4. Suporte de fusível CA
5. Entradas/saídas de Bus por RCA
6. Seletor de entrada de canal
7. Controlo do nível de volume
8. Conector de colunas
9. Seletor para ligar/desligar ponte
10. Entrada/saída do disparador
11. Seletor de ligação automática
12. Ligação do cabo de alimentação

## IA200-2C



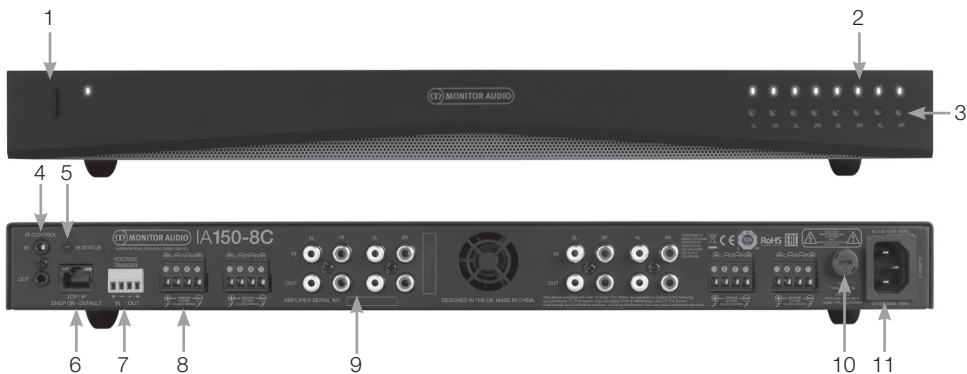
### PAINEL FRONTAL

1. Botão de alimentação
2. LED indicador de canal
3. Controle de saída do volume

### PAINEL TRASEIRO

4. Entrada e saída do comando de IV
5. LED de estado de IV
6. Entradas/saídas de canal RCA
7. Entrada/saída do disparador de tensão
8. Ligação Ethernet (RJ-45)
9. Conector de colunas
10. Suporte de fusível CA
11. Ligação do cabo de alimentação

## IA150-8C



### PAINEL FRONTAL

1. Botão de alimentação
2. LED indicador de canal
3. Controle de saída do volume

### PAINEL TRASEIRO

4. Entrada/saída de comando IV
5. LED de estado de IV
6. Ligação Ethernet (RJ-45)
7. Entrada/saída do disparador de tensão
8. Conector de colunas
9. Entradas/saídas de canal RCA
10. Suporte de fusível CA
11. Ligação do cabo de alimentação

IA800-2C



### PAINEL FRONTAL

1. Botão de alimentação
2. LED indicador de canal
3. Controlo de saída do volume

### PAINEL TRASEIRO

4. Conector de colunas
5. Entradas/saídas de canal RCA
6. Entrada/saída do disparador de tensão
7. Entrada/saída de comando IV

8. LED de estado de IV
9. Ligação Ethernet (RJ-45)
10. Suporte de fusível CA
11. Ligação do cabo de alimentação

## Descrições das ligações

### Suporte de fusível CA

Este compartimento alberga o fusível interno do amplificador. No caso de ser necessário substituir o fusível, o compartimento pode ser aberto introduzindo um objeto de cabeça plana, como uma chave de parafusos, e rodando no sentido contrário dos ponteiros do relógio. Consulte a informação imprimida no produto, por baixo do suporte do fusível, para obter a especificação correta do fusível.

### Botão de alimentação

Este é o interruptor principal para ligar e desligar o amplificador. Certifique-se de que o amplificador é desligado se não pretender utilizá-lo por um longo período de tempo.

### Controlo de saída do volume

#### Apenas para modelos 'Connect'.

Utilize uma chave de parafusos simples para aumentar ou diminuir o volume de saída. Este encontra-se ligado ao volume de saída ("Output Volume") no portal web. Consulte a página 70. Rode no sentido dos ponteiros do relógio em caso de clipping/distorção (como indicado pelo LED do canal à frente), ou no sentido contrário para mais volume.

### Entradas de canal RCA

Conectores RCA estéreo, esquerdo e direito, para ligar fontes áudio. Modelos com um número aumentado de canais, como o IA60-12, terão mais entradas para o número de canais de saída disponíveis.

### Saídas de canal RCA

Conectores RCA estéreo, esquerdo e direito, para ligar a dispositivos de reprodução externos, como subwoofers ativos ou amplificadores adicionais.

### Controlo do nível de volume

#### Apenas IA150-2 e IA60-12.

Utilizado para aumentar ou diminuir o volume de saída. Reduzir se as colunas estiverem em clipping, aumentar se o volume de saída for demasiado baixo.

### Ligação Ethernet (RJ-45)

#### Apenas para modelos 'Connect'.

Utilizado para estabelecer ligação a uma rede com fios. Após a ligação, o amplificador ficará visível na rede a outros dispositivos. Consulte a página 68 sobre como configurar o seu amplificador 'Connect'.

### Entrada e saída do disparador de tensão

A ligação do disparador pode ser feita à entrada/saída de outro dispositivo. Ao utilizar a entrada, o amplificador irá ligar-se e desligar-se com o dispositivo conectado. Um dispositivo conectado à saída do amplificador irá ligar-se e desligar-se com o amplificador.

## Seletor de ligação automática

### Apenas IA150-2 e IA60-12.

Existem três definições: Tensão (Voltage), Áudio (Audio) e Desligado (Off). Na definição de tensão, o método de disparador será utilizado para despertar o amplificador do modo de espera. Na definição de áudio, o amplificador irá despertar do modo de espera quando estiver presente um sinal de áudio. Irá regressar ao modo de espera quando não existir sinal durante 15 minutos. Na definição de desligado, o amplificador apenas pode ser ligado e desligado manualmente.

## Seletor de ponte

### Apenas IA150-2 e IA60-12.

Liga ou desliga o modo de ponte; com esta opção ativada duas saídas são combinadas para produzir uma maior potência de saída.

## Entradas de Bus por RCA

### Apenas IA60-12.

Entradas RCA estéreo, esquerda e direita, para ligar as fontes áudio. Ao contrário dos conectores de canal RCA, as entradas de Bus por RCA podem ser encaminhadas para vários canais de saída.

## Saídas de Bus por RCA

### Apenas IA60-12.

Saídas RCA estéreo, esquerda e direita. Podem ser utilizadas se pretender encadear o sinal de entrada de Bus a dispositivos externos/amplificadores adicionais.

## Seletor de Bus

### Apenas IA60-12.

Selecione a entrada da fonte áudio para o canal do amplificador.

## Conector de colunas

Aceita cabo de calibre máximo 12 para a ligação das colunas; consulte a coluna seguinte desta página.

## Entrada IV

Ligue um recetor de infravermelhos a esta entrada para controlar o amplificador utilizando controlos remotos programáveis. Consulte a página 72 para códigos hexadecimais/comandos discretos.

## Saída IV

Para utilização com um repetidor de infravermelhos ou ligação à entrada IV de outros amplificadores; permite que vários dispositivos recebam o mesmo comando a partir de um único controlo remoto. Por exemplo, um único comando de ligar/desligar poderá ser utilizado para todo um armário de amplificadores de instalação, em vez de individualmente.

## Indicadores LED

### LED de alimentação (LED laranja):

LED laranja fraco - modo de espera  
LED laranja forte - ligado  
LED laranja forte intermitente - modo de identificação ou atualização

### LED de canal (LED duplo laranja/branco):

LED apagado - nenhum sinal presente  
LED laranja - sinal presente  
LED branco - o canal está em clipping ou o amplificador entrou em modo de proteção  
LED branco intermitente - proteção térmica

Se detetar clipping ou padrões de LED de proteção térmica, diminua o volume. Se o problema persistir, consulte a secção de resolução de problemas na página 72.

## Ligação das colunas

Todos os amplificadores possuem conectores de bloco para uma ligação segura e protegida às suas colunas; estes blocos são amovíveis para um fácil acesso. Utilizando uma chave de parafusos simples, desaperte as cabeças dos parafusos no topo do bloco de conectores e introduza um cabo de coluna, até calibre máximo 12, nas aberturas frontais. Aperte as cabeças dos parafusos para fixar o cabo na abertura.

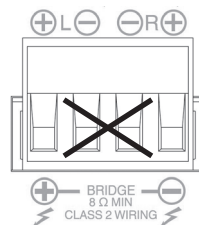


## Canais em ponte



**AVISO: A impedância mínima da coluna para uma operação em ponte é de 8 ohms. Não ligue quaisquer altifalantes no modo de ponte que tenham uma impedância nominal inferior a 8 ohms.**

1. Posicione o seletor de PONTE da zona de ligação de ligado (ON); consulte a secção de Visão Geral das Ligações.
2. Ligue o condutor “+” da coluna ao conector de canal esquerdo assinalado com “+” e o condutor “-” da coluna ao conector de canal direito assinalado com “+”. As saídas “-” não são utilizadas.

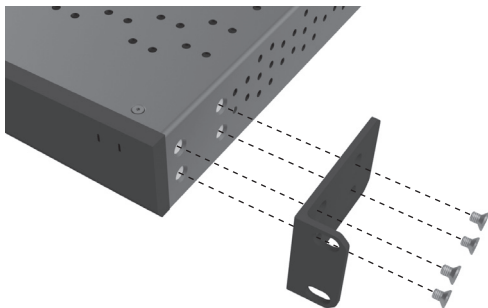


## Pés

Todos os modelos de amplificadores incluem quatro pés de borracha, para quando são utilizados fora de um armário. Para montar os pés, basta aparafusá-los nos quatro pontos roscados na base do amplificador.

## Montagem em armário do seu amplificador

Todos os modelos de amplificador incluem peças para suporte de armário para montagem do amplificador em armários padrão de 19". Para montar os suportes, basta remover os 4 parafusos de cada lado do amplificador, na direção da frente. Coloque os suportes sobre os orifícios que foram revelados e utilize os mesmos parafusos para prender os suportes.



## Alimentação do amplificador

Todos os modelos incluem um cabo de alimentação IEC. Sempre que o cabo de alimentação do amplificador for ligado pela primeira vez e o botão de alimentação for ligado (ON), todas as saídas de canal são desligadas por aproximadamente 12 segundos e todos os LED Indicadores de Canal acendem-se por breves instantes, enquanto o amplificador arranca.



**NOTA: Não ligue a alimentação na tomada elétrica até que todas as ligações do sistema tenham sido concluídas.**

## Ligação a uma rede



**NOTA: Esta secção aplica-se apenas a modelos 'Connect'.**

1. Ligue o amplificador a um computador de rede utilizando um cabo ethernet. Certifique-se de que o computador e o amplificador estão na mesma rede.
2. Ligue o amplificador.
3. O amplificador receberá um endereço IP do computador de rede.
4. Execute uma aplicação de procura de endereço IP, como o 'Advanced IP Scanner' (apenas no Windows), que está disponível para download gratuito aqui:  
[https:// www.advanced-ip-scanner.com](https://www.advanced-ip-scanner.com)
5. Inicie o 'Advanced IP Scanner' (ou outra aplicação da sua preferência) e introduza a gama IP da sua rede (gerida pelo seu router) na barra de pesquisa, no topo. Para procurar, clique em Scan.
6. O endereço IP do amplificador na lista terá uma opção pendente que, ao clicar duas vezes sobre a mesma, o levará para a página web de configuração do amplificador.

Em alternativa, todos os endereços IP da rede estarão acessíveis a partir da página de configuração do seu router.

Assim que for conhecido o endereço IP do amplificador, este poderá ser introduzido num navegador à sua escolha para aceder ao portal web.

# Configuração do amplificador 'Connect' utilizando o portal web

## Definições básicas

Aqui, as definições gerais mais básicas do amplificador podem ser editadas e guardadas. A secção seguinte irá acompanhá-lo ao longo de cada uma das funções deste separador.



**NOTA: Algumas alterações feitas no portal web não serão visíveis até que a página seja manualmente atualizada ou que navegue para uma das outras páginas.**

The screenshot shows the 'Basic Settings' page of the amplifier's web portal. It features a top navigation bar with 'MONITOR AUDIO' and 'Basic Settings'. The main content area is organized into several panels:

- Information:** Fields for Device Name, Device Model (IA200-2C), Customer Name, Dealer Name, Installer Name, Installation Date, Firmware Version (V1.30), and Serial Number (7301281711).
- Network:** DHCP (On), IP Address (192.168.68.35), and IP Subnet Mask (255.255.255.0).
- Identification Mode:** Flash Power Switch (Off).
- Print:** A 'Print - All Settings' button.
- Save & Restore:** 'Save' and 'Restore' buttons.
- Load Global Preset:** Fields for Active, Select, and Edit Global Preset, with 'Global Preset1' selected and 'Load' and 'Reset' buttons.
- Import/Export Global Preset:** 'Import' and 'Export' buttons for All Presets and Single Preset.
- Duplicate Global Preset:** 'From' and 'To' dropdowns (both set to 'Global Preset1') and a 'Duplicate' button.
- Reset:** A 'Factory Reset' button.
- Update:** A 'Firmware Update' button.

## Informações (Information)

Aqui pode adicionar um nome para o amplificador e introduzir os detalhes de instalação para referência futura. O modelo do amplificador, a versão do firmware e o número de série são apresentados aqui e não são editáveis.

## Rede (Network)

**Endereço IP (IP Address)** – Apresenta o endereço IP atual utilizado quando o DHCP está ligado (ON). Quando o DHCP está desativado (OFF), esta opção permite introduzir o endereço IP estático pretendido.

## Máscara de sub-rede do IP (IP Subnet Mask)

– Apresenta a atual máscara de sub-rede do IP utilizada quando o DHCP está ativado (ON). Quando o DHCP está desativado (OFF), esta opção permite-lhe introduzir a máscara de sub-rede do IP pretendida.



**NOTA: Se alterar o endereço de IP ou a Máscara de Sub-rede, o novo endereço IP necessitará de ser introduzido no navegador para ver novamente o portal web do amplificador.**

## Modo de identificação (Identification Mode)

Quando esta opção está ativada (ON), o LED de alimentação frontal fica intermitente. Isto permite identificar qual o amplificador que está a ser configurado, quando se utilizam vários amplificadores.

## Imprimir (Print)

Prima esta opção para abrir uma página de impressão com todas as atuais definições do amplificador.

## Alimentação (Power ON)

Aqui pode optar entre uma seleção de métodos de Alimentação (Power On) - descritos em seguida - para o que melhor se adequa à sua instalação. Também pode ser definido um atraso na alimentação entre 0 e 20 segundos, o que é útil quando se pretende que uma série de amplificadores sejam ativados numa sequência específica.

**Botão de alimentação (Power Button)** – Desativar a deteção de sinal e do disparador de tensão. O estado da alimentação é controlado apenas pelo botão de alimentação da unidade.

**Áudio (Audio)** – Este modo utiliza a deteção de sinal para ligar o amplificador. Adicionalmente, ainda é possível a comunicação pela rede. Neste modo, o amplificador consome até 2 W no modo de espera.

**Disparador de tensão (Voltage Trigger)** – Ligar amplificador com Disparador de Tensão de 12 v.

**Áudio verde (Audio Green)** – Este modo utiliza a deteção de sinal para ligar o amplificador. Irá regressar ao modo de espera quando não existir sinal durante 15 minutos. A comunicação de rede é desativada no modo de espera; para comunicar com o amplificador precisa de sair do modo de espera. Neste modo o amplificador consome até 0,5 W no modo de espera.

**Tensão verde (Voltage Green)** – Este modo utiliza o disparador de tensão para ligar e desligar o amplificador. A comunicação de rede é desativada no modo de espera; para comunicar com o amplificador precisa de sair do modo de espera. **NOTA:** Neste modo o amplificador consome até 0,5 W no modo de espera.

## Guardar e repor (Save & Restore)

Aqui, todas as definições podem ser guardadas num ficheiro, que pode depois ser utilizado para repor as definições, se necessário.

Carregar predefinição global (Load Global Preset)

**Predefinição global ativa (Active Global Preset)** – Apresenta a Predefinição Global ativa atual (apresenta o nome da predefinição global ativa atual, não se trata de uma caixa de introdução de texto) – com botão de reposição para repor a predefinição ativa atual para as definições apadrão.

Modo de alimentação	Alimentação em modo de espera	Comunicação de rede em espera
Botão de alimentação	N/D	N/D
Áudio	2 W	Sim
Disparador de tensão	2 W	Sim
Áudio verde	0,5 W	Não
Tensão verde	0,5 W	Não

### Selecionar predefinição global (Select Global Preset)

– Seleciona a predefinição que pretende editar e implementar do menu pendente.

O botão para carregar, junto do menu pendente, ativa a predefinição selecionada e reinicia o amplificador, após a confirmação da mensagem pop-up. A predefinição global ativa irá mudar quando a página web for atualizada.

### Editar nome da predefinição (Edit Preset name)

– Campo de texto para editar o nome da predefinição atualmente selecionada no menu pendente.

### Importar/exportar predefinição global (Import-Export Global Preset)

**Todas as predefinições (All Presets)** – Importar/exportar todas as predefinições globais de/para um ficheiro.

**Predefinição individual (Single Preset)** – Importar/exportar uma única predefinição global do menu para/de um ficheiro.

### Duplicar predefinição global (Duplicate Global Preset)

Copiar predefinição global 'X' para predefinição global 'Y'. Ambas selecionáveis nos menus pendentes.

### Repor (Reset)

**Repor definições de fábrica (Factory Reset)** –

O botão de reposição repõe as definições predefinidas de fábrica para todas as definições e todas as predefinições (globais e DSP). Quando premido, o LED de alimentação no amplificador fica intermitente, e reinicia em seguida.

### Atualizar (Update)

**Atualização do firmware (Firmware Update)** – Este botão instala o firmware (ficheiro .bin) escolhido pelo utilizador. Se a atualização for bem sucedida, aparece uma notificação no portal web. Siga as mensagens para reiniciar então o amplificador e regressar à página "Definições Básicas". O firmware mais recente estará disponível para download no nosso site: [monitoraudio.com](http://monitoraudio.com)

**NOTA: Recomendamos que verifique o seu firmware a cada instalação. O firmware mais recente pode ser encontrado no nosso site: [monitoraudio.com](http://monitoraudio.com)**

## Definições de entrada/saída (Input/ Output Settings)

Aqui pode configurar o trajeto de cada entrada para uma saída selecionada. O nível de compensação (trim) individual, o modo, o desvio (offset) de ganho e os parâmetros de volume também podem ser selecionados. Aqui também pode ativar os modos do amplificador, como a linha de 70 V (apenas IA800-2C) ou ponte.



**NOTA: Algumas alterações feitas no portal web não serão visíveis até que a página seja manualmente atualizada ou que navegue para uma das outras páginas.**

The screenshot shows the 'Input/Output Settings' page. At the top, there are three tabs: 'Basic Settings', 'Input/Output Settings' (selected), and 'DSP Configuration'. The 'Input Setup' section has a title bar and a table with columns for '1 LEFT', '1 RIGHT', '2 LEFT', and '2 RIGHT'. Below this are 'Input Name' and 'Trim Level dB' (0 to 0). The 'Output Setup' section has a 'Channel' dropdown (Stereo/Mono), 'Output Name', 'DSP Preset', 'Control Zone', and 'Amp Mode'. The 'Output Volume' section has 'Channel', 'Output Volume', 'Turn On Volume', 'Mute', 'Control Zone', 'Maximum Volume', and 'Gain Offset'. The 'Output Source' section has 'Channel', 'Source 1', 'Source 2', and 'Source Select'.

### Configuração de entrada (Input Setup)

Aqui são apresentados todos os canais de entrada disponíveis. Cada nome de entrada pode ser personalizado e o nível de compensação pode ser ajustado para cada canal em +/- 6 dB. O nível de compensação é o nível de entrada antes de ser amplificado.

### Configuração de saída (Output Setup)

**Canal (Channel)** – Selecione um canal de saída a editar. Quando um canal é selecionado de um menu pendente, os seus canais equivalentes também aparecem no outro menu pendente. (Ou seja, se 1 ESQUERDO for selecionado no menu pendente esquerdo, 1 DIREITO aparece no menu pendente direito).

**Nome de saída (Output Name)** – Introdução de texto para nome de saída do canal.

**Estéreo/mono (Stereo/Mono)** – A seleção entre estéreo/mono para cada canal. Com mono selecionado, os canais de entrada E e D são adicionados a mono nas saídas selecionadas.

**Predefinição DSP (DSP Preset)** – Selecciona a Predefinição DSP guardada a aplicar ao canal de saída. Esta opção será sempre seleccionável individualmente em cada canal e nunca ligada entre os pares estéreo.

**Zona de controlo (Control Zone)** – Seleccionar A, B, C, D, etc. (número de grupos = número de canais de saída). Agrupa as definições Volume de saída (Output Volume), Ativar volume (Turn On Volume) e Sem som (Mute) nos canais que possuem a mesma Zona de Controlo seleccionada. Para controlar vários canais como zona individual.

**Modo do amplificador (Amp Mode)** – Selecciona entre o Modo de Ponte e Estéreo. Também utilizado para seleccionar o modo 70 V no IA800-2C.

## Volume de saída (Output Volume)

**Canal (Channel)** – Seleccionar o canal de saída a editar. Quando um canal é seleccionado num menu pendente, os seus canais equivalentes surgem também no outro menu pendente, como apresentado mais acima. As seguintes opções controlam a saída de canal seleccionada:

- Volume de saída (Output Volume) - está ligado à roda de controlo na frente. O ajuste da roda de controlo na frente muda o valor na página web (depois de atualizada). A roda de controlo não muda quando ajustada na página web.
- Ligar volume (Turn On Volume)
- Sem som (Mute)

**Zona de Controlo (Control Zone)** – Selecciona a zona de controlo. As seguintes opções controlam a saída da zona seleccionada:

- Volume máximo (Maximum Volume)
- Desvio de ganho (Gain offset)

## Fonte de saída (Output Source)

**Canal (Channel)** – Seleccionar o canal de saída para editar o encaminhamento. Quando um canal é seleccionado num menu pendente, os seus canais equivalentes aparecem também no outro menu pendente, como apresentado mais acima.

**Fonte 1 (Source 1)** – Seleccionar a fonte de entrada principal a ser encaminhada para o canal seleccionado.

A fonte principal é sempre uma ligação estéreo, como tal, por exemplo, se 1E (1L) estiver seleccionado para o canal esquerdo, 1D (1R) será automaticamente seleccionado para o canal direito

**Fonte 2 (Source 2)** – Seleccionar a fonte de entrada secundária a ser encaminhada para o canal seleccionado.

A fonte secundária pode ser seleccionada individualmente e não tem de ser uma ligação estéreo.

**Seleção de fonte (Source Select)** – Seleccionar entre a Fonte Prioritária 2, a Apenas Fonte 1, ou MISTURA.

Assim, quer a Fonte 1, a Fonte 2 ou uma MISTURA (das fontes 1 e 2) serão encaminhadas para o canal de saída seleccionado. Padrão: Fonte 1.

# Configuração DSP (DSP Configuration)

No separador de configuração DSP podem ser feitos ajustes finais ao som utilizando um EQ paramétrico de 10 bandas; podem ser guardados como predefinições, que podem ser exportadas e importadas.



**NOTA: Algumas alterações feitas no portal web não serão visíveis até que a página seja manualmente atualizada ou que navegue para uma das outras páginas.**



## Atribuição de predefinição (Allocate Preset)

### Canal de saída (Output Channel)

– Seleccionar canal para editar e seleccionar predefinição DSP de saída. Quando um canal é seleccionado num menu pendente, o seu canal associado também aparece no outro menu pendente, como apresentado ao lado.

**Nome de saída (Output Name)** – Introdução de texto para nome do canal. Se for alterado aqui, também mudará na página de definições de entrada/saída.

**Predefinição DSP (DSP Preset)** – Selecciona a Predefinição DSP guardada a aplicar ao canal de saída. Esta opção será sempre seleccionável individualmente em cada canal e nunca ligada entre os pares estéreo.

## Sinal de teste (Test Signal)

**Canal de saída (Output Channel)** – Seleccionar o canal de saída para onde encaminhar o sinal de teste. Quando um canal é seleccionado num menu pendente, os seus canais equivalentes aparecem também no outro menu pendente, como apresentado mais acima.

**Estímulo (Stimulus)** – Seleccionar Ruído Rosa, ou qualquer outro canal de entrada, para onde encaminhar a saída seleccionada temporariamente.

**Nível de volume (Volume Level)** – O nível de volume, em dB, do estímulo do canal seleccionado.

**Ativar/desativar (On/Off)** – Ativar ou desativar o estímulo. Definido como desativado, por defeito, ao sair da página de configuração DSP.

## Importar/exportar predefinição

### (Import/ Export Preset)

**Todas as predefinições (All Presets)** – Importar/exportar todas as predefinições DSP para/de um ficheiro.

**Predefinição individual (Single Preset)** – Importar/exportar predefinição DSP seleccionada para/de um ficheiro.

## Predefinição duplicada (Duplicate Preset)

Copiar predefinição DSP 'X' para predefinição DSP 'Y'. Ambas as predefinições são seleccionáveis nos menus pendentes.

## Seleccionar/atribuir novo nome a predefinição DSP (Select/Rename DSP Preset)

**Seleccionar predefinição DSP (Select DSP Preset)** – A predefinição seleccionada guarda automaticamente todas as alterações às definições de EQ feitas nas definições a seguir.

**Editar nome predefinido (Edit Preset Name)** – Campo de introdução de texto para alterar o nome predefinido para um nome personalizado.

**Repor (Reset)** – Repor todos os nomes e definições da predefinição atualmente seleccionada para os valores padrão.

## Gráfico do equalizador (EQ Graph)

Apresenta a curva das definições do equalizador.

## Parâmetro do equalizador (EQ Parameter)

10 bandas de EQ paramétrico, cada com as seguintes definições configuráveis:

### Ativar/desativar equalizador (EQ – On/Off)

Utilizado para ativar a banda de frequência, para ativar as alterações de parâmetros aplicadas.

**Frequência do equalizador (EQ Frequency)** – Trata-se do ponto central da largura de banda de frequências em que as alterações são aplicadas.

**Equalizador - Q (EQ – Q)** – O fator Q controla a largura de banda que será impulsionada pelo equalizador (gama numérica entre 0,3 e 24). Quanto mais baixo for o fator Q, maior será a largura de banda (e mais frequências em ambos os lados do ponto central serão afetadas). Quanto mais alto for o fator Q, mais estreita será a largura de banda (e menos frequências serão afetadas).

**Equalizador - ganho +/- dB (EQ – Gain +/- dB)** – O aumento ou diminuição de ganho/volume na frequência seleccionada.

## Controlo de inclinação (Tilt Control)

Aqui pode definir-se uma alteração de ganho para que permaneça constante acima ou abaixo de uma frequência definida. Aplicar um Filtro de EQ de Inclinação a frequências altas ou baixas utilizando as seguintes definições configuráveis:

**Ativar/desativar inclinação (Tilt On/Off)** – Utilizado para ativar o Filtro de EQ de Inclinação alto ou baixo, para ativar as alterações de parâmetros aplicadas.

**Frequência (Frequency)** – O ponto inicial de frequência do ajuste ao filtro de inclinação.

**Ganho (Gain)** – O aumento ou diminuição de ganho/volume.

## Crossover

Aqui poderá aplicar os filtros de crossover de passa-alto (HP) ou passa-baixo (LP). Muito útil quando usa subwoofers passivos (será utilizado um filtro LP) ou pequenos satélites que não conseguem lidar com frequências baixas (filtro HP). Definir filtros passa-alto ou passa-baixo utilizando as seguintes definições configuráveis:

**Ativar/desativar crossover (Crossover On/Off)** – Utilizado para ativar o filtro passa-baixo ou passa-alto, para ativar as alterações de parâmetros aplicadas.

**Frequência de corte (Cut off Frequency)** – Definir o ponto -6 dB de cada filtro de crossover HP e LP.

**Tipo de filtro (Filter Type)** – Seleccionável entre 6, 12, 18, 24 dB por oitava, para cada filtro de crossover HP e LP. Quanto maior for o número, mais inclinado será o ângulo de corte da inclinação.

## Atraso (Delay)

Campos de introdução de texto para seleccionar o atraso em milissegundos, pés ou metros.

Quando um número é introduzido para uma unidade, as outras duas unidades são automaticamente calculadas.

## Limitador (Limiter)

**Nível (Level)** – Nível do limitador selecionável entre desativado (Off), -3 dB, -6 dB, -9 dB. Concebido para limitar o nível de um sinal acima do limite definido, evitando eventuais ganhos adicionais acima deste ponto e potenciais danos nas colunas.

## Códigos do controlo remoto por infravermelhos

### **Apenas para modelos 'Connect'.**

Os amplificadores 'Connect' possuem uma saída e uma entrada IV para uso com controlos remotos universais. Os comandos para os amplificadores seguem o protocolo NEC padrão e podem ser transferidos de: **monitoraudio.com**

## Resolução de problemas

### **Indicadores LED de avaria:**

#### **LED branco - o canal está em clipping/modo de proteção**

Quando o sinal de entrada é demasiado alto, os LED do canal acendem-se fixamente a branco. Se isto acontecer, diminua o nível de compensação do amplificador ou diminua o volume da fonte áudio.

#### **LED branco intermitente - proteção térmica**

Se isto acontecer, recomendamos desligar o amplificador e deixá-lo arrefecer até à temperatura ambiente, antes de o voltar a ligar.

### **Outras avarias:**

#### **Sem alimentação**

Se não existir alimentação no amplificador, verifique o fusível no interior da tomada (se aplicável) e o fusível interno do amplificador. Consulte a Visão Geral das Ligações na página 63.

#### **Sem som**

Verifique todas as ligações e cabos; se o amplificador for um modelo 'connect', certifique-se de que os canais são encaminhados corretamente e não estão sem som (mute).

Se o amplificador estiver configurado no modo de ponte, certifique-se de que o seletor/definições e cablagem estão devidamente configurados.

Se mesmo assim não emitir um sinal, ou o modo de avaria continuar presente, contacte imediatamente o seu revendedor/distribuidor local ou a Monitor Audio.

## Garantia

A construção e o desempenho deste produto têm garantia contra defeitos de fabrico por um período de **cinco** anos a partir da data de compra (consulte as condições no folheto Instruções Importantes de Segurança), desde que o produto tenha sido fornecido por um revendedor autorizado da Monitor Audio ao abrigo do contrato de venda ao consumidor.

Para nos ajudar a localizar os detalhes da sua garantia na nossa base de dados de clientes, caso haja necessidade, despenda de alguns minutos e registre o(s) seu(s) produto(s) online em: **monitoraudio.com**

## Informações do proprietário

### **Detalhes do produto**

Modelo: \_\_\_\_\_

N.º de série do produto: \_\_\_\_\_

Data de compra: \_\_\_\_\_

### **Detalhes do vendedor**

Nome do vendedor: \_\_\_\_\_

Morada: \_\_\_\_\_

Código postal: \_\_\_\_\_

Endereço de e-mail: \_\_\_\_\_

# Especificações

Modelo:	IA150-2	IA60-12	IA200-2C	IA150-8C	IA800-2C	
<b>Controlo de IP 'Connect'</b>	N/D	N/D	Sim	Sim	Sim	
<b>Número de canais</b>	2 (um par estéreo)	12 (6 pares estéreo)	2 (um par estéreo)	8 (4 pares estéreo)	2 (um par estéreo)	
<b>Alimentação (Watt/canal)</b>	4 ohms	150 W	60 W	200 W	150 W	800 W
	8 ohms	100 W	45 W	150 W	140 W	500 W
	Ponte (8 ohms)	320 W (1 Canal)	100 W (6 Canais)	470 W (1 Canal)	300 W (4 Canais)	2000 W (1 Canal)
	70 V	N/D	N/D	N/D	N/D	800 W (2 Canais)
<b>Impedância de entrada</b>	20 K ohms					
<b>Impedância de saída (RCA em loop)</b>	600 ohms					
<b>Sensibilidade de entrada</b>	100 mV/1 W - 1000 mV potência total	100 mV/1 W - 700 mV potência total	100 mV/1 Watt - 1230 mV potência total	100 mV/1 Watt - 1140 mV potência total	100 mV/1 Watt - 2200 mV potência total	
<b>Tensão de entrada máxima (RMS)</b>	2,9 V					
<b>Sinal/ruído (SN:R)</b>	-100 dB (20 Hz - 20 kHz)					
<b>Frequência de resposta (-3 dB)</b>	5 Hz - 50 kHz					
<b>Distorção harmónica total (THD + N a 1 kHz)</b>	0,03% a 1 W					
<b>Altura do armário</b>	1U	2U	1U	2U		
<b>Dimensões - Sem pés (A x L x P)</b>	42,4 x 438 x 427 mm 1 11/16 x 17 1/4 x 16 13/16"	86,8 x 438 x 427 mm 3 7/16 x 17 1/4 x 16 13/16"	42,4 x 438 x 427 mm 1 11/16 x 17 1/4 x 16 13/16"	86,8 x 438 x 438 mm 3 7/16 x 17 1/4 x 16 13/16"		
<b>Dimensões - Com pés (A x L x P)</b>	52,8 x 438 x 427 mm 2 1/16 x 17 1/4 x 16 13/16"	97,2 x 438 x 427 mm 3 13/16 x 17 1/4 x 16 13/16"	52,8 x 438 x 427 mm 2 1/16 x 17 1/4 x 16 13/16"	97,2 x 438 x 438 mm 3 13/16 x 17 1/4 x 16 13/16"		
<b>Largura incluindo suportes de armário</b>	482 mm 19"					
<b>Peso</b>	5,29 kg	7,34 kg	5,3 kg	7,45 kg	9,2 kg	
<b>Comunicação IP</b>	N/D	N/D	TCP/IP (RJ-45 10/100 Base T)			
<b>Tensão de corrente de operação</b>	100-120 V a 60 Hz, 220-240 V a 50 Hz					
<b>Especificação do fusível</b>	5 A (T5AL ~ 250 VCA)	10 A (T10AL ~ 250 VCA)	5 A (T5AL ~ 250 VCA)	10 A (T10AL ~ 250 VCA)	15 A (T15AL ~ 250 VCA)	
<b>Consumo de energia em modo de espera</b>	<0,5 W (modo verde)/ <2 W					

A Monitor Audio reserva-se o direito de alterar as especificações sem aviso prévio.

# Inhoud



Inleiding	74	Aansluiten op een netwerk	79
Overzicht van aansluitingen	75	De 'Connect'-versterker configureren via het webportaal	80
IA150-2	75	Basisinstellingen (Basic Settings)	80
IA60-12	75	Ingangs-/uitgangsinstellingen (Input/Output Settings)	81
IA200-2C	76	DSP-configuratie (DSP Configuration)	82
IA150-8C	76	Codes voor de infraroodafstandsbediening	84
IA800-2C	77	Probleemoplossing	84
Beschrijvingen van aansluitingen	77	Garantie	84
Indicatielampjes	78	Gegevens eigenaar	84
Kanalen combineren (bridging)	78	Specificaties	85
Voetjes	79		
Rekmontage van versterker	79		

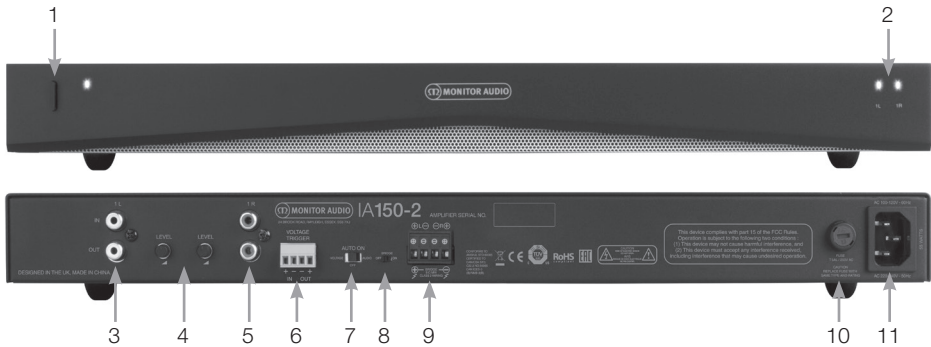
## Inleiding

Ontdek de installatieversterkers van Monitor Audio: geniet van meer functionaliteit met minder ruimte en geavanceerde technologie voor het allerbeste geluid in elk installatieproject. De meerkanaals versterkers kunnen gebruikt worden voor allerlei toepassingen in woningen en bedrijfspanden, met een vermogen van max. 2000 watt. Audiokanalen kunnen worden gegroepeerd of gecombineerd (bridging) voor een flexibele installatie met een configuratie voor 12 kanalen.

Voor gegarandeerde betrouwbaarheid en de geweldige geluidskwaliteit die u van Monitor Audio mag verwachten, hebben we kozen voor de gerenommeerde Hypex-versterkers, verwerkt in gestroomlijnde behuizingen van 1U en 2U die in de meeste rekken passen en 93% energiezuiniger zijn. Alle versterkers bieden volledige connectiviteit met normale bekabelde spannings- of signaaldetectie. De 'Connect'-versterkers hebben uitgebreidere DSP- en IP-instellingen voor meer flexibiliteit en integratie.

# Overzicht van aansluitingen

## IA150-2



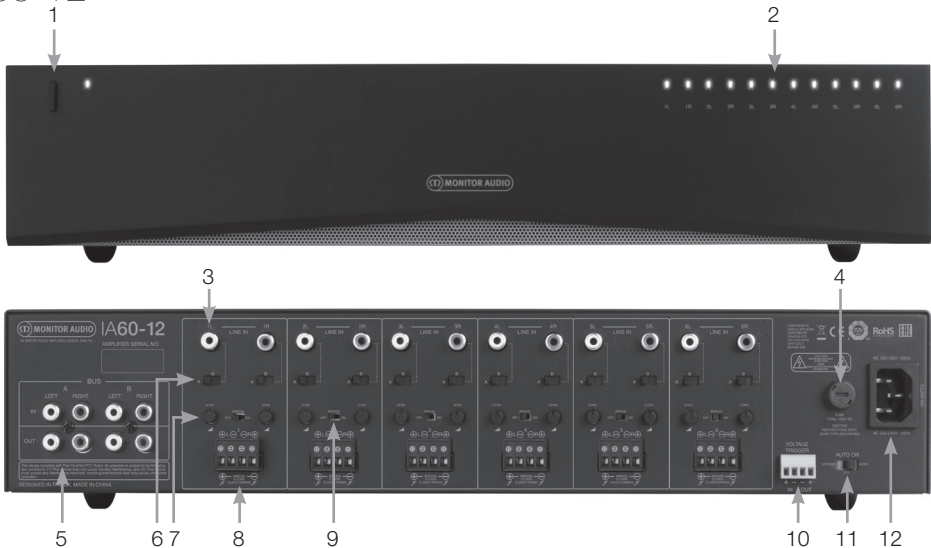
### VOORPANEEL

1. Aan-/uitknop
2. Kanaalindicatorlampje

### ACHTERPANEEL

3. RCA-ingang/-uitgang linker kanaal
4. Volumeregeling
5. RCA-ingang/-uitgang rechter kanaal
6. Ingang/uitgang trigger
7. Autom. aan-schakelaar
8. Bridge aan/uit-schakelaar
9. Luidsprekeraansluiting
10. AC-zekeringhouder
11. Netsnoeraansluiting

## IA60-12



### VOORPANEEL

1. Aan-/uitknop
2. Kanaalindicatorlampje

### ACHTERPANEEL

3. RCA-kanaalingangen
4. AC-zekeringhouder
5. Bus RCA-ingangen/-uitgangen
6. Schakelaar kanaalingang
7. Volumeregeling
8. Luidsprekeraansluiting
9. Bridge aan/uit-schakelaar
10. Ingang/uitgang trigger
11. Autom. aan-schakelaar
12. Netsnoeraansluiting

# IA200-2C



## VOORPANEEL

1. Aan-/uitknop
2. Kanaalindicatorlampje
3. Uitgangsvolumeregeling

## ACHTERPANEEL

4. Ingang en uitgang IR-bediening
5. IR-statuslampje
6. RCA-kanaalingangen/-uitgangen
7. Ingang/uitgang spanningsdetectie
8. Ethernet aansluiting (RJ-45)
9. Luidsprekeraansluiting
10. AC-zekeringhouder
11. Netsnoeraansluiting

# IA150-8C



## VOORPANEEL

1. Aan-/uitknop
2. Kanaalindicatorlampje
3. Uitgangsvolumeregeling

## ACHTERPANEEL

4. Ingang/uitgang IR-bediening
5. IR-statuslampje
6. Ethernet aansluiting (RJ-45)
7. Ingang/uitgang spanningsdetectie
8. Luidsprekeraansluiting
9. RCA-kanaalingangen/-uitgangen
10. AC-zekeringhouder
11. Netsnoeraansluiting

IA800-2C



**VOORPANEEL**

- 1. Aan-/uitknop
- 2. Kanaalindicatorlampje
- 3. Uitgangsvolumeregeling

**ACHTERPANEEL**

- 4. Luidsprekeraansluiting
- 5. RCA-kanaalingangen/-uitgangen
- 6. Ingang/uitgang spanningsdetectie
- 7. Ingang/uitgang IR-bediening
- 8. IR-statuslampje
- 9. Ethernet aansluiting (RJ-45)
- 10. AC-zekeringhouder
- 11. Netsnoeraansluiting

Beschrijvingen van aansluitingen

**AC-zekeringhouder**

Hier zit de interne zekering van de versterker. Als deze ooit vervangen moet worden, kan deze houder geopend worden door een voorwerp met een platte kop, zoals een schroevendraaier, in de sleuf te steken en naar links te draaien. Lees de informatie op het product onder de zekeringhouder voor de juiste zekeringsspecificaties.

**Aan-/uitknop**

Dit is de hoofdschakelaar voor de versterker. Zorg ervoor dat de versterker uitgeschakeld is wanneer hij gedurende langere tijd niet wordt gebruikt.

**Uitgangsvolumeregeling**

**Alleen voor de 'Connect'-modellen.**

Gebruik een schroevendraaier met een platte kop om het uitgangsvolume te verhogen of verlagen. Dit is gekoppeld aan het 'uitgangsvolume' ('Output volume') op het webportaal. Zie pagina 82. In geval van clipping/vervalsing (zoals aangegeven door het kanaalindicatorlampje voorop) draait u linksom om het volume te verlagen en rechtsom om het te verhogen.

**RCA-kanaalingangen**

Linker- en rechter-RCA-stereo aansluitingen voor geluidsbronnen. Modellen met meer kanalen, zoals

de IA60-12, hebben meer ingangen voor het aantal beschikbare uitgangskanalen.

**RCA-kanaaluitgangen**

Linker- en rechter-RCA-stereo aansluitingen voor externe afspelapparaten, zoals actieve subwoofers of extra versterkers.

**Volumeregeling**

**Alleen voor de IA150-2 en IA60-12.**

Bedoeld om het uitgangsvolume te verhogen of verlagen. Verlaag het volume als er clipping optreedt of verhoog het als het geluid te zacht is.

**Ethernet aansluiting (RJ-45)**

**Alleen voor de 'Connect'-modellen.**

Gebruikt om te verbinden met een bekabeld netwerk. Eenmaal verbonden wordt de versterker op het netwerk zichtbaar voor andere apparaten. Zie pagina 80 voor hulp bij het instellen van de 'Connect'-versterker.

**Ingang en uitgang spanningsdetectie**

Er kan een trigger worden aangesloten via de ingang/uitgang van een ander apparaat. Bij het gebruik van de ingang wordt de versterker in- en uitgeschakeld via het verbonden apparaat. Wanneer er een apparaat is aangesloten op de uitgang, wordt dat via de versterker in- en uitgeschakeld.

## Autom. aan-schakelaar

### Alleen voor de IA150-2 en IA60-12.

Er zijn drie instellingen: Spanning (Voltage), Audio en Uit (Off). In de instelling Spanning (Voltage) wordt de triggermethode gebruikt om de versterker uit de stand-bystand te halen. In de instelling Audio wordt de versterker uit de stand-bystand gehaald wanneer er een audiosignaal is. Wanneer er gedurende 15 minuten geen audiosignaal is, gaat de versterker weer op stand-by. In de instelling Uit (Off) kan de versterker alleen handmatig worden in- en uitgeschakeld.

## Bridge-schakelaar

### Alleen voor de IA150-2 en IA60-12.

Voor het in- of uitschakelen van de Bridge-modus. Wanneer deze is ingeschakeld, worden er twee uitgangen gecombineerd voor meer uitgangsvermogen.

## Bus RCA-ingangen

### Alleen voor de IA60-12.

RCA-stereo-aansluitingen links en rechts, voor het aansluiten van geluidsbronnen. In tegenstelling tot de RCA-kanaalaansluitingen kunnen de bus RCA-ingangen naar meerdere uitgangskanalen worden doorgeleid.

## Bus RCA-uitgangen

### Alleen voor de IA60-12.

RCA-stereo-uitgangen links en rechts. Deze kunnen worden gebruikt om het bus-ingangssignaal door te schakelen naar externe apparaten of extra versterkers.

## Busschakelaar

### Alleen voor de IA60-12.

Selecteer de geluidsbronning voor het kanaal op de versterker.

## Luidsprekeraansluiting

Geschikt voor luidsprekerkabels tot 2,06 mm. Zie de volgende kolom op deze pagina.

## IR-ingang

Sluit een infraroodontvanger op deze ingang aan om de versterker te bedienen met een programmeerbare afstandsbediening. Zie pagina 84 voor discrete codes/Hex-codes.

## IR-uitgang

Voor gebruik met een infraroodsignaalversterker of om de IR-ingang te koppelen aan andere versterkers. Zo kunnen meerdere apparaten dezelfde opdracht ontvangen van één afstandsbediening. Een opdracht voor in- of uitschakelen kan zo bijvoorbeeld naar een heel rek versterkers worden gestuurd, in plaats van naar elke versterker apart.

## Indicatielampjes

### Voeding (oranje lampje):

Zwak oranje: stand-bystand

Fel oranje: ingeschakeld

Fel oranje en knipperend: identificatiemodus of aan het bijwerken

### Kanalen (oranje-wit lampje):

Uit: geen signaal aanwezig

Oranje: signaal aanwezig

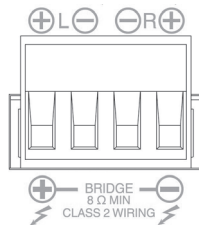
Wit: clipping op kanaal of versterker staat in de beveiligingsmodus

Wit knipperend: thermische beveiliging

Zet in geval van clipping of thermische beveiliging het volume lager. Als het probleem zich blijft voordoen, raadpleeg dan de probleemoplossing op pagina 84.

## Luidsprekers aansluiten

Alle versterkers zijn voorzien van blokaansluitingen om uw luidsprekers veilig aan te sluiten. Deze zijn afneembaar voor een gemakkelijke toegang. Draai de schroefjes boven aan het blok los met een platte schroevendraaier en steek luidsprekerkabels van max. 2,06 mm dikte in de voorste openingen. Draai de schroefjes weer vast om de kabel vast te zetten.

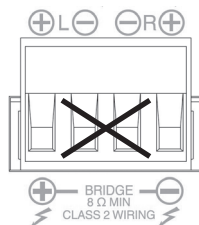


## Kanalen combineren (bridging)



**WAARSCHUWING: De minimale luidsprekerimpedantie voor bridging is 8 ohm. Combineer geen luidsprekers in deze modus met een lagere nominale impedantie dan 8 ohm.**

1. Zet de Bridge-schakelaar op AAN; zie hiervoor de pagina 'Overzicht van aansluitingen'.
2. Sluit de luidsprekerkabel '+' aan op de linker kanaalaansluiting met '+' en de luidsprekerkabel '-' op de rechter kanaalaansluiting met '+'. De uitgangen met '-' worden niet gebruikt.



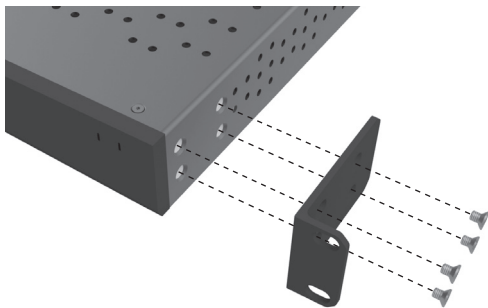


## Voetjes

Elk model versterker wordt geleverd met vier rubbervoetjes voor gebruik zonder rek. De voetjes zijn eenvoudig te bevestigen door ze in de vier schroefgaten onder aan de versterker te schroeven.

## Rekmontage van versterker

Elk model versterker wordt geleverd met rekbeugels voor de montage in standaardrekken van 19" (48,26 cm). Om de beugels te bevestigen, verwijdert u de 4 schroefjes aan beide kanten op de voorkant van de versterker. Plaats de beugels over de schroefgaten en gebruik dezelfde schroefjes opnieuw om de beugels vast te schroeven.



## De versterker aanzetten

Alle modellen worden geleverd met een IEC-netsnoer. Wanneer het netsnoer wordt ingestoken en de aan-/uitknop op 'aan' wordt gezet, worden alle kanaaluitgangen ongeveer 12 seconden lang uitgeschakeld en gaan alle kanaalindicatorlampjes eventjes aan terwijl de versterker opgestart wordt.



**OPMERKING: Schakel de stroomvoorziening via het stopcontact pas in wanneer alle systemen verbonden zijn.**

## Aansluiten op een netwerk



**OPMERKING: Dit onderdeel is alleen van toepassing op de 'Connect'-modellen.**

1. Sluit de versterker met een ethernetkabel aan op een netwerkschakelaar. Zorg ervoor dat de computer en de versterker op hetzelfde netwerk zitten.
2. Zet de versterker aan.
3. De versterker ontvangt een IP-adres van de netwerkschakelaar.
4. Om het IP-adres te achterhalen, gebruikt u een toepassing zoals de 'Advanced IP Scanner' (alleen voor Windows), die u hier gratis kunt downloaden:  
[https:// www.advanced-ip-scanner.com](https://www.advanced-ip-scanner.com)
5. Start de 'Advanced IP Scanner' (of soortgelijke toepassing) op en voer in de zoekbalk bovenin het IP-bereik van uw netwerk in (beheerd door uw router). Klik op 'Scan' om te beginnen met zoeken.
6. Het IP-adres van de versterker in de lijst heeft een vervolgkeuzemenu. Dubbelklik hierop om naar de webinstellingen voor de versterker te gaan.

Alle IP-adressen van het netwerk zijn ook toegankelijk via de configuratiepagina van uw router.

Als u het IP-adres van de versterker heeft gevonden, voert u dit in uw browser in om naar het webportaal te gaan.

# De 'Connect'-versterker configureren via het webportaal

## Basisinstellingen (Basic Settings)

Hier kunnen de meeste algemene basisinstellingen voor de versterker worden bewerkt en opgeslagen. In het volgende onderdeel leest u meer over elk van de functies op dit tabblad.



**OPMERKING: Sommige wijzigingen in het webportaal worden pas zichtbaar als de pagina handmatig wordt**

**vernieuwd of wanneer u naar een van de andere pagina's gaat.**

## Informatie (Information)

Hier kunt u een naam voor de versterker en de installatiegegevens invoeren om later te raadplegen. Verder vindt u hier het model, de firmwareversie en het serienummer van de versterker, die u niet kunt wijzigen.

## Netwerk (Network)

**IP-adres (IP Address)** – Toont het huidige IP-adres dat gebruikt wordt wanneer DHCP AAN staat. Als DHCP UIT staat, kunt u een statisch IP-adres naar keuze invoeren.

**IP-subnetmasker (IP Subnet Mask)** – Toont het huidige IP-subnetmasker dat gebruikt wordt wanneer DHCP AAN staat. Als DHCP UIT staat, kunt u een IP-subnetmasker naar keuze invoeren.



**OPMERKING: Als u het IP-adres of subnetmasker wijzigt, moet u het nieuwe IP-adres in de browser invoeren om terug te keren naar het webportaal van de versterker.**

## Identificatiemodus (Identification Mode)

Als deze optie AAN staat, gaat het voedingslampje voorop knipperen. Dit is handig als u meerdere versterkers gebruikt, zodat u meteen ziet welke versterker geconfigureerd wordt.

## Afdrukken (Print)

Druk hierop om een afdrukbare pagina te openen met daarop alle huidige instellingen van de versterker.

## Inschakelen (Power ON)

Hier kunt u kiezen uit verschillende inschakelmethodes (hieronder beschreven), afhankelijk van uw installatie. U kunt ook een inschakelvertraging van 0-20 seconden kiezen. Dit is handig wanneer u een reeks versterkers in een bepaalde volgorde wilt inschakelen.

**Aan-/uitknop (Power Button)** – Schakel signaal- en spanningsdetectie uit. Het apparaat gaat alleen aan via de aan-/uitknop op het apparaat.

**Audio** – In deze modus wordt signaaldetectie gebruikt om de versterker in te schakelen. Communicatie via het netwerk is hierbij nog steeds mogelijk. In deze modus verbruikt de versterker tot 2 W in stand-by.

## Spanningsdetectie (Voltage Trigger) –

Schakel de versterker in met een trigger voor 12 V-spanningsdetectie.

**Audio groen (Audio Green)** – In deze modus wordt signaaldetectie gebruikt om de versterker in te schakelen. Wanneer er gedurende 15 minuten geen audiosignaal is, gaat de versterker weer op stand-by. Netwerkkommunicatie wordt uitgeschakeld in stand-by. Om te communiceren met de versterker moet deze uit de stand-bystand worden gehaald. In deze modus verbruikt de versterker tot 0,5 W in stand-by.

**Spanning groen (Voltage Green)** – In deze modus wordt spanningsdetectie met trigger gebruikt voor het in- en uitschakelen van de versterker. Netwerkkommunicatie wordt uitgeschakeld in stand-by. Om te communiceren met de versterker moet deze uit de stand-bystand worden gehaald. **OPMERKING:** In deze modus verbruikt de versterker tot 0,5 W in stand-by.

Bedrijfsmodus	Vermogen in stand-by	Netwerkkommunicatie in stand-by
Aan-/uitknop	N.v.t.	N.v.t.
Audio	2 W	Ja
Spanningsdetectie	2 W	Ja
Audio groen	0,5 W	Nee
Spanning groen	0,5 W	Nee

## Opslaan en herstellen (Save & Restore)

Hier kunt u alle instellingen opslaan naar een bestand, dat u later indien nodig kunt gebruiken om de instellingen te herstellen.

## Globale voorinstelling laden (Load Global Preset)

**Actieve globale voorinstelling (Active Global Preset)** – Toont de globale voorinstelling die momenteel actief is (alleen de naam wordt weergegeven; dit is geen tekstveld), met een resetknop om de huidige voorinstelling terug te zetten op de standaardinstellingen.

**Globale voorinstelling selecteren (Select Global Preset)** – Selecteer uit een vervolgkeuzemenu welke voorinstelling u wilt wijzigen en inschakelen.

Met de laadknop 'Load' naast het menu schakelt u de gekozen voorinstelling in en start u de versterker na bevestiging in het pop-upvenster opnieuw op. Zodra de pagina wordt vernieuwd, wordt de nieuwe actieve globale voorinstelling weergegeven.

**Naam voorinstelling wijzigen (Edit Preset name)** – Tekstveld om de naam van de huidige geselecteerde voorinstelling te wijzigen.

## Globale voorinstelling importeren/exporteren (Import/Export Global Preset)

**Alle voorinstellingen (All Presets)** – Importeer/exporteer alle globale voorinstellingen van of naar een bestand.

**Enkele voorinstelling (Single Preset)** – Importeer/exporteer een enkele globale voorinstelling van of naar een bestand.

## Globale voorinstelling kopiëren (Duplicate Global Preset)

Kopieer de globale voorinstelling 'X' naar globale voorinstelling 'Y'. Beide opties zijn beschikbaar in de vervolgkeuzemenu's.

## Reset

**Fabrieksinstellingen (Factory Reset)** – Als u op de resetknop drukt, worden alle (voor)instellingen (zowel globaal als DSP) hersteld naar de oorspronkelijke fabrieksinstellingen. Het 'aan'-lampje op de versterker gaat dan knipperen en de versterker wordt opnieuw opgestart.

## Update

**Firmware-update (Firmware Update)** - Met deze knop installeert u de door u gekozen firmware (via een .bin-bestand). Als de update is gelukt, krijgt u een melding in het webportaal. Volg de aanwijzingen, start de versterker opnieuw op en keer terug naar de pagina 'Basisinstellingen (Basic Settings)'. U kunt de meest recente firmware downloaden via onze website: [monitoraudio.com](http://monitoraudio.com)

**OPMERKING: Wij raden aan dat u bij elke installatie uw firmware controleert. U vindt de nieuwste firmware op onze website: [monitoraudio.com](http://monitoraudio.com)**

## Ingangs-/uitgangsinstellingen (Input/Output Settings)

Hier kunt u de routing voor elke ingang naar een geselecteerde uitgang configureren. Ook kunt u de individuele afvlakking, modus, versterkingsoffset en het volume instellen. Verder kunt u versterkermodi zoals 70 V-lijn (alleen voor de IA800-2C) of bridging inschakelen.



**OPMERKING: Sommige wijzigingen in het webportaal worden pas zichtbaar als de pagina handmatig wordt vernieuwd of wanneer u naar een van de andere pagina's gaat.**

## Ingangsinstellingen (Input Setup)

Hier ziet u alle beschikbare ingangskanalen. Elke ingangsnaam kan bewerkt worden en de afvlakking kan per kanaal worden aangepast met +/- 6 dB. Afvlakking is het ingangsvolume vóór versterking.

## Uitgangsinstellingen (Output Setup)

**Kanaal (Channel)** – Selecteer welk uitgangskanaal

u wilt bewerken. Als u een kanaal selecteert in het vervolkeuzemenu, worden in het andere menu de equivalente kanalen weergegeven (als u bijvoorbeeld 1 LEFT (LINKS) kiest in het linkermenu, verschijnt 1 RIGHT (rechts) in het rechtermenu).

**Naam uitgang (Output Name)** – Tekstveld om een naam voor de kanaaluitgang in te voeren.

**Stereo/Mono** – Selecteer stereo of mono per kanaal. Als u mono selecteert, worden de linker- en rechteringangskanalen op de geselecteerde uitgangen op 'mono' gezet.

**DSP-voorstelling (DSP Preset)** – Selecteer een opgeslagen DSP-voorstelling voor een uitgangskanaal. Deze kunt u altijd per individueel kanaal selecteren en nooit per stereopaar.

**Instellingszone (Control Zone)** – Selecteer A, B, C, D... (aantal groepen = aantal uitgangskanalen). Hier worden de instellingen 'Uitgangsvolume' (Output Volume), 'Geluid aan' (Turn on Volume) en 'Dempen' (Mute) gegroepeerd voor kanalen binnen dezelfde instellingszone. Zo kunt u meerdere kanalen als één zone instellen.

**Versterkermodus (Amp Mode)** – Kies uit stereo- of bridge-modus. Ook te gebruiken om de 70 V-modus op de IA800-2C te selecteren.

Uitgangsvolume (Output Volume)

**Kanaal (Channel)** – Selecteer welk uitgangskanaal u wilt bewerken. Als u een kanaal selecteert in het vervolkeuzemenu, worden in het andere menu de equivalente kanalen weergegeven. De volgende opties besturen de geselecteerde kanaaluitgang:

- Uitgangsvolume (Output Volume): gekoppeld aan de regelaar voorop. Als u de regelaar voorop gebruikt, wordt de weergegeven waarde in het webportaal (na vernieuwen) gewijzigd; u kunt de regelaar niet via het webportaal aanpassen.
- Geluid aan (Turn On Volume)
- Dempen (Mute)

**Instellingszone (Control Zone)** – Selecteer de instellingszone. De volgende opties besturen de geselecteerde zone-uitgang:

- Maximaal volume (Maximum Volume)
- Versterkings-offset (Gain Offset)

Uitgangsbron (Output Source)

**Kanaal (Channel)** – Selecteer van welk uitgangskanaal u de routing wilt bewerken. Als u een kanaal selecteert in het vervolkeuzemenu, worden in het andere menu de equivalente kanalen weergegeven.

**Bron 1 (Source 1)** – Selecteer de primaire ingangsbron om naar het geselecteerde kanaal te sturen.

De primaire bron is altijd in stereo, dus als 1L geselecteerd is voor het linkerkanaal, wordt 1R

automatisch geselecteerd voor het rechterkanaal.

**Bron 2 (Source 2)** – Selecteer de secundaire ingangsbron om naar het geselecteerde kanaal te sturen.

De secundaire bron kan individueel worden geselecteerd en niet per se in stereo.

**Bronkeuze (Source Select)** – Kies uit Prioriteit bron 2 (Priority Source 2), Alleen bron 1 (Source 1 Only) of MIX.

Hiermee worden bron 1, bron 2 of een MIX (van bronnen 1 en 2) naar het geselecteerde uitgangskanaal gestuurd. Standaard: Bron 1.

## DSP-configuratie (DSP Configuration)

Op dit tabblad kunt u nog laatste aanpassingen doen aan het geluid met behulp van een parametrische 10-bands EQ. Deze kunnen vervolgens worden opgeslagen als importeerbare en exporteerbare voorinstellingen.



**OPMERKING: Sommige wijzigingen in het webportaal worden pas zichtbaar als de pagina handmatig wordt vernieuwd of wanneer u naar een van de andere pagina's gaat.**

Voorinstelling toewijzen (Allocate Preset)

**Uitgangskanaal (Output Channel)** – Selecteer welk kanaal u wilt bewerken en selecteer hiervoor de DSP-voorstelling (DSP Preset). Als u een kanaal selecteert in het vervolkeuzemenu, wordt in het menu ernaast het bijbehorende kanaal weergegeven.

**Naam uitgang (Output Name)** – Tekstveld om een naam voor het kanaal in te voeren. Als deze hier wordt gewijzigd, verandert ook de naam op de pagina 'Ingangs-/uitgangsinstellingen (Input/Output Settings)'.

**DSP-voorstelling (DSP Preset)** – Selecteer een opgeslagen DSP-voorstelling voor een uitgangskanaal. Deze kunt u altijd per individueel kanaal selecteren en nooit per stereopaar.

Testsignaal (Test Signal)

**Uitgangskanaal (Output Channel)** – Selecteer naar welk uitgangskanaal u het testsignaal wilt sturen. Als u een kanaal selecteert in het vervolkeuzemenu, worden in het andere menu de equivalente kanalen weergegeven.

**Impuls (Stimulus)** – Selecteer roze ruis (Pink Noise) of een ingangskanaal om de impuls tijdelijk naar de geselecteerde uitgang te sturen.

**Volumeniveau (Volume Level)** – Volumeniveau van de impuls voor het geselecteerde kanaal in dB.



voorstelling 'Y'. Beide opties zijn beschikbaar in de vervolgkeuzemenu's.

DSP-voorstelling selecteren of naam wijzigen (Select/Rename DSP Preset)

**DSP-voorstelling selecteren (Select DSP Preset)** – De geselecteerde voorinstelling slaat automatisch wijzigingen in de onderstaande EQ-instellingen op.

**Naam van voorinstelling wijzigen (Edit Preset Namen)** – Tekstveld om de voorinstelling een andere naam te geven.

**Reset** – Zet alle namen en instellingen van de geselecteerde voorinstelling terug naar de standaardinstellingen.

EQ-diagram (EQ Graph)

Geeft de curve van de EQ-instellingen weer.

EQ-parameter

10 banden parametrische EQ met elk de volgende aanpasbare instellingen:

**EQ - Aan/uit (EQ – On/Off)** – Gebruikt om de frequentieband aan te zetten om de aangebrachte parameterwijzigingen toe te passen.

**EQ-frequentie (EQ Frequency)** – Dit is het middelpunt in de frequentiebandbreedte waarop de wijzigingen worden toegepast.

**EQ – Q** – De Q-factor bestuurt de bandbreedte die door de equalizer wordt versterkt (een waarde tussen 0,3-24). Hoe lager de Q-factor, hoe breder de bandbreedte (en op hoe meer frequenties aan weerszijden van het middelpunt dit van toepassing is). Hoe hoger de Q-factor, hoe smaller de bandbreedte (en op hoe minder frequenties dit van toepassing is).

**EQ-versterking (EQ – Gain +/- dB)** – De verhoging of verlaging van versterking/volume op de geselecteerde frequentie.

Tiltregeling (Tilt Control)

Hier kan de versterkingsfactor worden gewijzigd om constant boven of onder een bepaalde frequentie te blijven. Stel een tilt EQ-filter in op lage of hoge frequenties via de volgende aanpasbare instellingen:

**Tilt aan/uit (Tilt On/Off)** – Gebruikt om de hoge of lage tilt EQ-filter aan te zetten om de gemaakte parameterwijzigingen te activeren.

**Frequentie (Frequency)** – Startpunt van de frequentie voor de tiltfilter-aanpassing.

**Versterking (Gain)** – De verhoging of verlaging van versterking/volume.

Scheidingsfilter (Crossover)

Hier kunnen High Pass (HP)- of Low Pass (LP)-scheidingsfilters worden toegepast. Dit is handig

**Aan/uit (On/Off)** – Zet de geselecteerde impuls aan of uit. Gaat als standaard 'uit' als u de DSP-configuratie verlaat.

Voorinstellingen importeren/exporteren (Import/Export Preset)

**Alle voorinstellingen (All Presets)** – Importeer of exporteer alle DSP-voorstellingen van of naar een bestand.

**Enkele voorinstelling (Single Preset)** – Importeer of exporteer de huidige geselecteerde DSP-voorstelling van of naar een bestand.

Voorinstelling kopiëren (Duplicate Preset)  
Kopieer DSP-voorstelling 'X' naar DSP-

bij het gebruik van passieve subwoofers (hier wordt een LP-filter gebruikt) of kleinere satellieten die geen lage frequenties aankunnen (HP-filter). Stel een Low Pass- of High Pass-filter in via de volgende aanpasbare instellingen:

#### **Scheidingsfilter aan/uit (Crossover On/Off) –**

Gebruikt om de Low Pass- of High Pass-filter aan te zetten om de gemaakte parameterwijzigingen te activeren.

**Kantelfrequentie (Cut off Frequency) –** Stel het -6 dB-punt in voor elke HP- en LP-scheidingsfilter.

**Filtertype –** Keuze uit 6, 12, 18, 24 dB per octaaf voor elke HP- en LP-scheidingsfilter. Hoe hoger de waarde, hoe scherper de kantelhoek van de lijn.

#### **Vertraging (Delay)**

Tekstvelden om de vertraging in milliseconden, voet of meter in te voeren.

Als u voor een eenheid een waarde invult, worden de overige twee eenheden vanzelf berekend.

#### **Begrenzer (Limiter)**

**Niveau (Level) –** Niveau van begrenzer, in te stellen op Off (Uit), -3dB, -6dB, -9dB. Dit is bedoeld om het geluidsniveau van een signaal niet boven een ingestelde drempelwaarde te laten uitkomen. Dit voorkomt verdere versterking boven deze waarde en dus mogelijke schade aan de luidsprekers.

## Codes voor de infraroodafstandsbediening

#### **Alleen voor de 'Connect'-modellen.**

De 'Connect'-versterkers hebben een IR-ingang en -uitgang voor gebruik met universele infraroodafstandsbedieningen. De opdrachtcodes voor de versterkers zijn overeenkomstig met het standaard NEC-protocol en zijn te downloaden via: **monitoraudio.com**

## Probleemoplossing

Indicatielampjes bij storingen:

#### **Wit: clipping op kanaal/in beveiligingsmodus**

Als het ingangssignaal te hoog is, branden de kanaallampjes wit. Verlaag in dat geval de afvlakking op de versterker of het volume van de geluidsbron.

#### **Wit knipperend: thermische beveiliging**

In dat geval raden wij aan om de versterker uit te zetten en hem te laten afkoelen tot kamertemperatuur. Daarna kunt u hem weer aanzetten.

## **Andere storingen:**

#### **Versterker gaat niet aan**

Als de versterker niet aan gaat, controleer dan de zekering in de stekker (indien van toepassing) en de interne zekering van de versterker. Zie hiervoor het Overzicht van aansluitingen op pagina 75.

#### **Geen geluid**

Controleer alle aansluitingen en kabels. Als de versterker een 'Connect'-model is, zorg er dan voor dat alle kanalen juist zijn doorgeleid en niet gedempt zijn.

Als de versterker in de bridge-modus staat, zorg dan dat de schakelaar/instellingen en bedrading juist geconfigureerd zijn.

Geeft het apparaat nog steeds geen signaal af of blijft de storingsmodus zich voordoen, neem dan onmiddellijk contact op met uw lokale verkooppunt/distributeur of Monitor Audio.

## Garantie

Voor zowel het vakmanschap als de prestaties van dit product geldt een garantie van **vijf** jaar vanaf de datum van aankoop (zie de voorwaarden in de bijsluiters Veiligheidsinstructies), op voorwaarde dat het product is gekocht bij een geautoriseerde verkoper van Monitor Audio volgens de geldende verkoopovereenkomst.

Om ons te helpen uw garantiegegevens binnen ons klantenbestand te vinden, mocht dit nodig blijken, kunt u uw product(en) simpel online registreren op: **monitoraudio.com**

## Gegevens eigenaar

#### **Productgegevens**

Model: \_\_\_\_\_

Serienummer van product: \_\_\_\_\_

Aankoopdatum: \_\_\_\_\_

#### **Gegevens verkooppunt**

Naam verkooppunt: \_\_\_\_\_

Adres: \_\_\_\_\_

\_\_\_\_\_

Postcode: \_\_\_\_\_

E-mailadres: \_\_\_\_\_

# Specificaties

Model:	IA150-2	IA60-12	IA200-2C	IA150-8C	IA800-2C	
<b>IP-bediening 'Connect'</b>	N.v.t.	N.v.t.	Ja	Ja	Ja	
<b>Kanaalnummer</b>	2 (één stereopaar)	12 (6 stereoparen)	2 (één stereopaar)	8 (4 stereoparen)	2 (één stereopaar)	
<b>Vermogen (watt/kanaal)</b>	4 ohm	150 W	60 W	200 W	150 W	800 W
	8 ohm	100 W	45 W	150 W	140 W	500 W
	Bridge (8 ohm)	320 W (1 kanaal)	100 W (6 kanalen)	470 W (1 kanaal)	300 W (4 kanalen)	2000 W (1 kanaal)
	70 V	N.v.t.	N.v.t.	N.v.t.	N.v.t.	800 W (2 kanalen)
<b>Ingangsimpedantie</b>	20 kilo-ohm					
<b>Uitgangsimpedantie (Loop RCA)</b>	600 ohm					
<b>Ingangsevoeligheid</b>	100 mV/1 W - 1000 mV volledig vermogen	100 mV/1 W - 700 mV volledig vermogen	100 mV/1 W - 1230 mV volledig vermogen	100 mV/1 W - 1140 mV volledig vermogen	100 mV/1 W - 2200 mV volledig vermogen	
<b>Maximale ingangsspanning (effectieve waarde)</b>	2,9 V					
<b>Signaal-ruisverhouding (SN:R)</b>	-100 dB (20 Hz - 20 kHz)					
<b>Frequentierespons (-3dB)</b>	5 Hz - 50 kHz					
<b>Totale harmonische vervorming (THV + N@1 kHz)</b>	0,03% @ 1 W					
<b>Hoogte van rek</b>	1 U	2 U	1 U	2 U		
<b>Afmetingen - Zonder voetjes (h x b x d)</b>	42,4 x 438 x 427 mm 1 11/16 x 17 1/4 x 16 13/16"	86,8 x 438 x 427 mm 3 7/16 x 17 1/4 x 16 13/16"	42,4 x 438 x 427 mm 1 11/16 x 17 1/4 x 16 13/16"	86,8 x 438 x 438 mm 3 7/16 x 17 1/4 x 16 13/16"		
<b>Afmetingen - Met voetjes (h x b x d)</b>	52,8 x 438 x 427 mm 2 1/16 x 17 1/4 x 16 13/16"	97,2 x 438 x 427 mm 3 13/16 x 17 1/4 x 16 13/16"	52,8 x 438 x 427 mm 2 1/16 x 17 1/4 x 16 13/16"	97,2 x 438 x 438 mm 3 13/16 x 17 1/4 x 16 13/16"		
<b>Breedte inclusief rekbeugels</b>	482 mm 19"					
<b>Gewicht</b>	5,29 kg (11 lb 10 oz)	7,34 kg (16 lb 2 oz)	5,3 kg (11 lb 10 oz)	7,45 kg (16 lb 6 oz)	9,2 kg (20 lb 4 oz)	
<b>IP-communicatie</b>	N.v.t.	N.v.t.	TCP/IP (RJ-45 10/100 Base T)			
<b>Bedrijfsspanning</b>	100-120 V @ 60 Hz, 220-240 V @ 50 Hz					
<b>Zekeringswaarden</b>	5 A (T5AL ~ 250 VAC)	10 A (T10AL ~ 250 VAC)	5 A (T5AL ~ 250 VAC)	10 A (T10AL ~ 250 VAC)	15 A (T15AL ~ 250 VAC)	
<b>Stroomverbruik in stand-bystand</b>	< 0,5 W (groene modus)/ <2 W					

Monitor Audio behoudt zich het recht voor om zonder verdere kennisgeving specificaties te wijzigen.

# 目录



简介	86	机架安装您的功放	91
连接概述	87	为功放供电	91
IA150-2	87	连接到网络	91
IA60-12	87	使用网络门户设置您的‘连接’功放	92
IA200-2C	88	基本设置	92
IA150-8C	88	输入/输出设置	93
IA800-2C	89	DSP配置	94
连接描述	89	红外遥控编码	96
LED指示灯	90	故障排除	96
连接您的扬声器	90	保证	96
桥接通道	90	所有者信息	96
支撑脚	91	规格	97

## 简介

猛牌公司Installation功放的推出，旨在实现更多，占用空间更小，采用尖端技术，在任何安装项目中都能获得最佳的音质表现。多通道工坊可广泛用于住宅和商业场所，功率高达2000瓦。音频通道可以分组或桥接以实现灵活的安装，最多可配置12个通道。

我们选择了世界知名的Hypex功率放大器，以保证猛牌的可靠性和卓越的音质，减少到1U和2U超薄机箱，这些机箱普遍适合大多数机架，同时提供93%的能源效率。

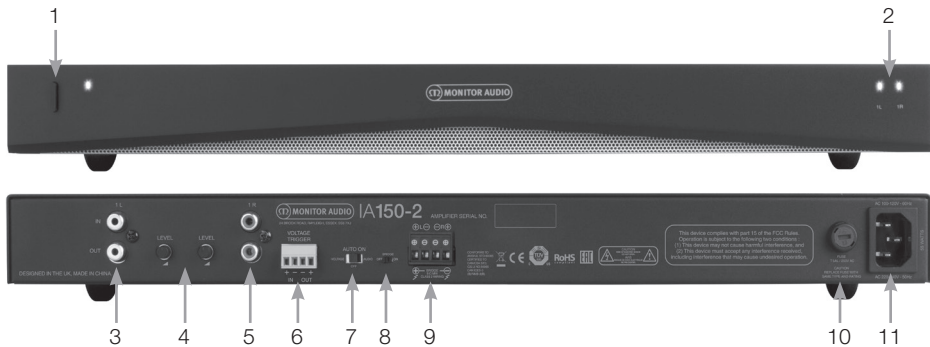
所有的功放都具有全面的连接性，具有简单的有线电压触发或信号检测。

“连接”功放包括更复杂的DSP和IP控制，提供更大的灵活性和集成度。



# 连接概述

## IA150-2



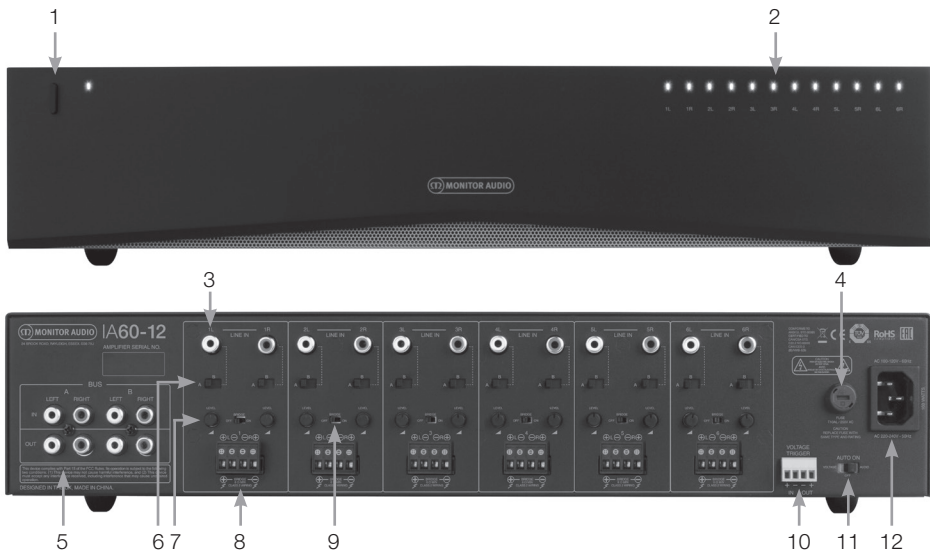
### 前面板

1. 电源键
2. 声道指示灯LED

### 后面板

3. 左声道RCA输入/输出
4. 音量控制
5. 右声道RCA输入/输出
6. 触发输入/输出
7. 自动开启
8. 桥接开关
9. 扬声器块连接器
10. 交流保险丝座
11. 电源线连接

## IA60-12



### 前面板

1. 电源键
2. 声道指示灯LED

### 后面板

3. 声道RCA输入
4. 交流保险丝座
5. 总线RCA输入/输出
6. 声道输入开关
7. 音量控制
8. 扬声器块连接器
9. 桥接开关
10. 触发输入/输出
11. 自动开启
12. 电源线连接

## IA200-2C



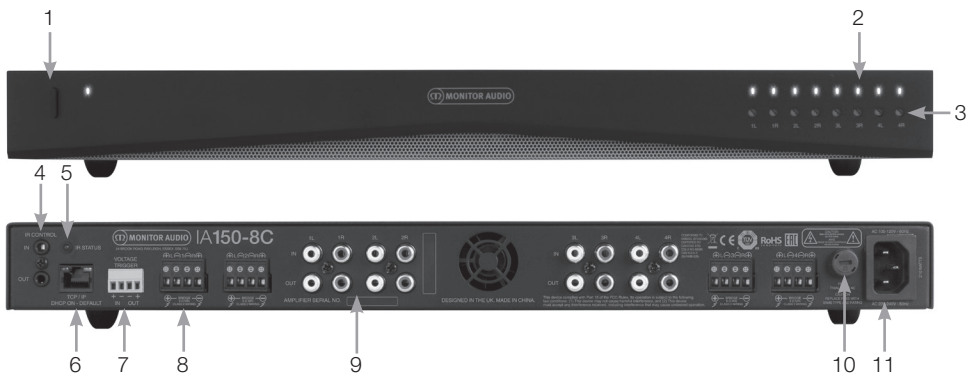
### 前面板

1. 电源键
2. 声道指示灯LED
3. 输出音量控制

### 后面板

4. 红外控制输入/输出
5. 红外状态LED
6. 声道RCA输入/输出
7. 电压触发输入/输出
8. 以太网 (RJ-45) 连接
9. 扬声器块连接器
10. 交流保险丝座
11. 电源线连接

## IA150-8C



### 前面板

1. 电源键
2. 声道指示灯LED
3. 输出音量控制

### 后面板

4. 红外控制输入/输出
5. 红外状态LED
6. 以太网 (RJ-45) 连接
7. 电压触发输入/输出
8. 扬声器块连接器
9. 声道RCA输入/输出
10. 交流保险丝座
11. 电源线连接

# IA800-2C



## 前面板

1. 电源键
2. 声道指示灯LED
3. 输出音量控制

## 后面板

4. 扬声器块连接器
5. 声道RCA输入/输出
6. 电压触发输入/输出
7. 红外控制输入/输出
8. 红外状态LED
9. 以太网 (RJ-45) 连接
10. 交流保险丝座
11. 电源线连接

## 连接描述

### 交流保险丝

此隔间内装有功放的内部保险丝，如果保险丝需要更换，则可以通过插入诸如螺丝刀之类的扁平物体并逆时针转动来打开隔间。关于正确的保险丝规格，请参阅保险丝座下方产品上印有的信息。

### 电源按钮

这是功放的主要电源开关。如果长时间不使用，请确保功放关闭。

### 输出音量控制 仅“连接”模式。

使用一个小的平头螺丝刀来增加或减少输出的音量。这与网络门户上的“输出量”相关联。请参阅第94页。如果剪辑/扭曲（如前面的通道LED所示）逆时针转动，或顺时针转动加大音量。

### 通道RCA输入

立体声左右RCA连接器，用于连接音频源。具有更多通道的型号（如IA60-12）将具有更多的输入及输出通道的数量。

### 通道RCA输出

立体声左右RCA连接器，用于连接外置播放设备，如有源超低音扬声器或附加功放。

### 音量控制

**仅限IA150-2和IA60-12。**  
用于增加或减少输出音量。

如果扬声器正在削波，则减小；如果输出音量太低，则增加。

### 以太网 (RJ-45) 连接

**仅“连接”模式。**

用于连接到有线网络。一旦连接，功放将在网络上对其他设备处于可见状态。有关如何设置“连接”功放，请参阅第92页。

### 电压触发输入和输出

触发器可以连接到其他设备的输入/输出。当使用输入时，功放将可以控制所连接的设备打开和关闭。连接到功放输出的设备，将通过功放打开和关闭。

## 自动开启

### 仅限IA150-2和IA60-12。

有三个设置；电压，音频和关闭。在电压设置中，将使用触发方法将功放从待机状态唤醒。在音频设置中，当音频信号出现时，功放将从待机状态中唤醒。当15分钟没有信号时，它将返回待机状态。在关闭设置中，功放只能手动打开和关闭。

## 桥接开关

### 仅限IA150-2和IA60-12。

打开或关闭桥接模式，通过激活这两个输出，可以产生更多的输出功率。

## 总线RCA输入

### 仅限IA60-12。

立体声左右RCA输入，用于连接音频源。与通道RCA连接器不同，总线RCA输入可以被路由到多个输出通道。

## 总线RCA输出

### 仅限IA60-12。

立体声左右RCA输出。如果您希望将总线输入信号链连接到外部设备/附加功放，则可以使用此方法。

## 总线开关

### 仅限IA60-12。

为功放上的通道选择音频源输入。

## 扬声器块连接器

最多可连接96个规格的连接音箱线缆，请参阅本页的下一个栏目。

## IR输入

将红外线接收器连接到此输入端，使用可编程遥控器控制功放。谨慎的命令/十六进制代码请参见第12页。

## IR输出

为了与红外中继器一起使用或者链接到其他功放上的红外输入，这将允许多个设备从单个远程命令接收相同的命令。例如，单个电源开/关命令可以用于整个机架的Installation功放而不是单独的。

## LED指示灯

### 电源LED（橙色LED）：

LED昏暗橙色 - 待机模式

LED亮橙色 - 开机

闪烁明亮的橙色LED - 识别模式或更新中

### 声道LED（橙色/白色双LED）：

无LED - 没有信号存在

橙色LED - 信号存在

白色LED - 声道正在削波或功放已进入保护模式

白色闪烁LED - 热保护

如果遇到削波或热保护LED模式会降低音量，如果问题仍然存在，请参阅第96页的故障排除部分。

## 连接您的扬声器

所有功放都具有扬声器模块连接器，可以安全地连接扬声器，这些模块可拆卸，便于使用。使用平头螺丝刀松开扬声器块顶部的螺丝头，然后将扬声器电缆插入前端开口，最大12股。拧紧螺丝头将扬声器电缆固定到位。

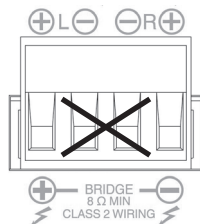


## 桥接通道



**警告：桥接操作的最小扬声器阻抗为8欧姆。桥接模式下，不要连接低于8欧姆标称阻抗的任何扬声器。**

1. 将区域的BRIDGE开关设置到ON位置，请参阅连接概览部分。
2. 将扬声器的“+”导线连接到标记为“+”的左声道连接器，并将扬声器的“-”连接到标有“+”的右声道连接器。“-”输出不被使用。

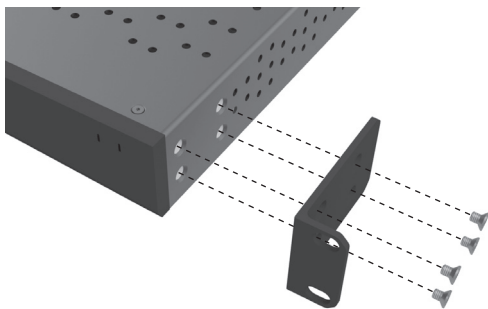


## 支撑脚

每个功放型号配有四个橡胶脚，用于不带机架的状况下。要安装支撑脚，只需将它们拧入功放底部的四个螺纹埋母即可。

## 机架安装您的功放

每个功放型号都配有机架支架固定件，用于将功放安装在标准19寸机架中。要安装支架，只需将功放两侧的4颗螺丝钉向前移除，将支架放在已显露的孔上，使用相同的螺丝锁紧支架。



## 为功放供电

所有型号均配有IEC电源线。每次功放的电源线初次插入，电源开关打开时，所有声道输出将断开大约12秒钟，在功放启动时，所有声道指示灯LED将短暂亮起。

**注：在所有系统连接完成之前，切勿打开墙上插座的电源。**

## 连接到网络



**注：本节仅适用于“连接”型号。**

1. 使用以太网电缆将功放连接到网络交换机。确保电脑和功放连接到同一个网络上。
2. 启动功放。
3. 功放将由网络交换机发出一个IP地址。
4. 运行IP地址查找应用程序，例如“Advanced IP Scanner”（仅限Windows），可以从这里免费下载：<https://www.advanced-ip-scanner.com>
5. 启动“高级IP扫描器”（或首选应用程序），并在顶部的搜索栏中输入您的网络IP范围（由您的路由器管理）。点击扫描搜索。
6. 列表中的功放的IP地址将有一个下拉选项，双击时可以进入功放的网页设置页面。

或者，所有的网络IP地址都可以从您的路由器配置页面访问。

一旦功放的IP地址已知，可以将其输入到您选择的Web浏览器中，以打开访问Web门户的权限。

# 使用网络门户设置您的‘连接’功放

## 基本设置

这里最基本的通用功放设置可以编辑和保存。以下部分将引导您完成此选项卡上的每个功能。



**注意：**在网络门户中进行的一些更改在手动刷新页面或导航到其他页面之前将不可见。

## 信息

在这里您可以为功放添加一个名称，并输入安装细节以供将来参考。这里显示功放型号，硬件版本和序列号，这些是不可编辑的。

## 网络

**IP地址** - 当DHCP打开时，显示当前使用的IP地址。当DHCP设置为OFF时，您可以输入所需的静态IP地址。

**IP子网掩码** - 当DHCP打开时，显示当前使用的IP子网掩码。当DHCP设置为OFF时，您可以输入所需的IP子网掩码。



**注意：**如果要更改IP地址或子网掩码，则需要**在Web浏览器中输入新的IP地址才能再次查看功放的Web门户。**

## 识别模式

当此选项打开时，前面的电源LED将开始闪烁。这对于识别使用多个功放时正在配置哪个功放很有用。

## 打印

按下此按钮打开一个可打印的页面，其中包含所有当前功放设置。

## 电源开启

在这里，您可以选择一些开机方式（如下所述），以选择最适合您的安装方式。此外，开机延时可以在0-20秒之间设置，当您需要一系列功放以特定的顺序打开时，这非常有用。

**电源按钮** - 关闭信号感应和电压触发检测。电源状态仅由本机上的电源按钮控制。

**音频** - 此模式使用信号感应打开功放。另外，通过网络的通信仍然是可能的。在这种模式下，功放的待机功耗最高可达2瓦。

**电压触发器** - 用12伏电压触发器开启功放。

**音频绿色** - 此模式使用信号感应打开功放。当15分钟没有信号时，它将返回待机状态。网络通信在待机状态下关闭，若要与功放进行通信，需要将功放从待机状态唤醒。在这种模式下，功放的待机功耗将高达0.5瓦。

**绿色电压** - 此模式使用电压触发来打开和关闭功放。网络通信在待机状态下关闭，若要与功放进行通信，需要将功放从待机状态唤醒。注意：在这种模式下，功放待机时功耗最高可达0.5瓦。

电源模式	待机功耗	待机网络通信
电源键	不适用	不适用
音频	2瓦	是
电压触发	2瓦	是
音频绿色	0.5瓦	否
电压绿色	0.5瓦	否

## 输入/输出设置

在这里，您可以将每个输入的路由配置为选定的输出。还可以设置单独的修整等级，模式，增益偏移和音量参数。这也是您可以激活功放模式（例如70伏线路（仅限IA800-2C）或桥接器）的地方。



**注意：在Web门户中进行的一些更改在手动刷新页面或导航到其他页面之前将不可见。**

### 保存和还原

这里所有的设置都可以保存到一个文件中，如果需要的话可以用来还原设置。

### 加载全局预设

**启动全局预设** - 显示当前启动的全局预设（显示当前启动的全局预设名称，这不是文本输入框）- 重置按钮可将当前启动预设重置为默认设置。

**选择全局预设** - 从下拉菜单中选择您希望编辑和执行的预设。

下拉菜单旁边的加载按钮将激活所选预设，并在弹出提示确认后重新启动功放。当网页被刷新时，启动的全局预设会改变。

**编辑预设名称** - 文本字段可编辑当前从下拉菜单中选择的预设名称。

### 导入/导出全局预设

**所有预设** - 将所有全局预设导入/导出文件。

**单个预设** - 从菜单导入/导出单个全局预设到/从一个文件。

### 重复的全局预设

将全局预设“X”复制到全局预设“Y”。这两个都可以从下拉菜单中选择。

### 重启

**出厂重置** - 重置按钮将所有设置和所有预置（全局和DSP）重置为原始出厂设置。按下时，功放上的电源LED将闪烁，然后重新启动。

### 更新

**固件更新** - 此按钮将安装用户选择的固件（.bin文件）。如果更新成功，Web门户中会出现通知。按照提示重新启动功放并返回到“基本设置”页面。最新的固件可在我们的网站上下载：[monitoraudio.com](http://monitoraudio.com)

**注意：我们建议您在每次安装时检查固件。最新的固件可以在我们的网站上找到：[monitoraudio.com](http://monitoraudio.com)**



### 输入设置

这里显示了所有可用的输入声道。每个输入名称都可以自定义，每个声道的等级可以调整正负6分贝。此等级是放大前的输入等级。

### 输出设置

**声道** - 选择一个输出声道进行编辑。当从下拉菜单中选择一个声道时，其等效声道也将显示在另一个下拉菜单上。（即，如果左手下拉选择1左，1右将会出现在右手下拉）。

**输出名称** - 声道输出名称的文本输入。

**立体声/单声道** - 每个声道的立体声/单声道选择。选择单声道，左和右输入声道在选定的输出上被合计为单声道。

**DSP预设** - 选择保存的DSP预设应用于输出声道。这将始终在每个声道上单独选择，从不在立体声对之间连接。

**控制区** - 选择A, B, C, D, ... (组数 = 输出声道数)。这会将具有相同控制区域(通道)的设置输出音量, 打开音量和静音进行分组。用于将多个通道作为单个区域进行控制。

**功放模式** - 在立体声和桥接模式之间选择。也用于选择IA800-2C上的70伏模式。

## 音量输出

**声道** - 选择输出声道进行编辑。当从下拉菜单中选择声道时, 其等效声道也将另一个下拉菜单上显示。以下选项控制所选声道输出:

- 音量输出 - 与前面的控制盘连接。调整前面的控制盘可更改网页上的值(刷新)。在网页上调整时控制盘不会改变。

- 打开音量

- 静音

**控制区** - 选择控制区。以下选项控制所选的区域输出:

- 最大音量

- 增益抵消

## 输出源

**声道** - 选择输出声道编辑路由。当从下拉菜单中选择声道时, 其等效声道也将另一个下拉菜单上显示。

**来源1** - 选择主要输入源路由到选定的声道。

主音源始终为立体声连接, 例如, 如果左声道选择1L, 右声道将自动选择1R。

**来源2** - 选择次要输入源路由到选定的声道。

次要来源可以单独选择, 不必立体声连接。

**来源选择** - 在优先权来源2, 仅来源1或MIX之间选择。

这样来源1, 来源2或MIX(源1和2)将被路由到选定的输出通道。默认: 来源1。

## DSP配置

在DSP配置选项卡上, 可以使用10段参数均衡器对声音进行最终调整, 然后这些可以保存为可以导出和导入的预设。



**注意: 在Web门户中进行的一些更改, 在手动刷新页面或导航到其他页面之前将不可见。**

The screenshot displays the DSP Configuration interface for a Monitor Audio system. It includes sections for:

- Allocate Preset:** Output Channel (1 LEFT, 1 RIGHT), Output Name (Output 1L, Output 1R), DSP Preset (Preset OFF, Preset OFF).
- Test Signal:** Output Channel (1 LEFT, 1 RIGHT), Stimulus (Pink Noise, Pink Noise), Volume Level (-20, -20), On/Off (OFF, OFF).
- Import/Export Preset:** All Presets (Import, Export), Single Preset (Preset1, Import, Export).
- Duplicate Preset:** From (Preset1, Duplicate), To (Preset1).
- Select DSP Preset:** Preset1.
- Edit Preset Name:** Preset1, Reset.
- EQ Graph:** A frequency response graph with frequency on the x-axis (20 to 20000 Hz) and amplitude on the y-axis (-18dB to 18dB).
- EQ Parameter:** EQ - On/Off (OFF, OFF, OFF, OFF, OFF, OFF, OFF, OFF, OFF, OFF), EQ Frequency (1000, 1000, 1000, 1000, 1000, 1000, 1000, 1000, 1000, 1000), EQ - Q (1, 1, 1, 1, 1, 1, 1, 1, 1, 1), EQ - Gain +/- dB (0, 0, 0, 0, 0, 0, 0, 0, 0, 0).
- Tilt Control:** Low Tilt (OFF, OFF), High Tilt (OFF, OFF), Frequency (100, 5000, Frequency), Gain (0, 0, Gain).
- Crossover:** LP Crossover (OFF, OFF), HP Crossover (OFF, OFF), Frequency (80, 80, Frequency), Filter Type (24dB, 24dB, Filter Type).
- Delay:** m Sec (0), Feet (0), Metres (0).
- Limiter:** Level (OFF).



## 分配预设

**输出声道** - 选择要编辑的通道并选择输出DSP预设。当从下拉菜单中选择频道时，其合作频道也将另一个下拉菜单上显示为相反。

**输出名称** - 通道名称的文本输入。如果在这里更改，那么它也会在输入/输出设置页面上更改。

**DSP预设** - 选择保存的DSP预设应用于输出通道。这将始终在每个通道上单独选择，从不在立体声组之间连接。

## 测试信号

**输出通道** - 选择要连接到测试信号的输出通道。当从下拉菜单中选择一个频道时，其等效频道也将另一个下拉菜单上显示。促进因素 - 选择粉红噪声或任何输入通道临时路由到选定的输出。

**音量级别** - 以分贝为单位选定通道的激励音量级别。

**开/关** - 打开或关闭选定的促进因素。退出DSP配置页面时默认关闭。

## 导入/导出预设

**所有预设** - 将所有DSP预设导入/导出文件。

**单个预设** - 导入/导出当前选定的DSP预设到/来自文件。

## 重复预设

将DSP预设“X”复制到DSP预设“Y”。这两个都可以从下拉菜单中选择。

## 选择/重命名DSP预设

**选择DSP预设** - 所选预设将自动存储对下面设置中所作EQ设置的任何更改。

**编辑预设名称** - 文本输入字段将预设更改为自定义名称。

**重置** - 将当前所选预设的所有名称和设置重置为默认值。

## EQ图表

显示EQ设置的曲线。

## EQ参数

10个参数均衡器均带有以下可配置设置：

**EQ - 开/关** - 用于打开频段以激活应用的参数更改。

**EQ频率** - 这是应用更改的频率带宽的中心点。

**EQ - Q** - Q因子控制均衡器将提升的带宽（数字范围在0.3-24之间）。Q因子越低，带宽越宽（中心点两边的频率越高）。Q因子越高，带宽越窄（频率越少）。

**EQ - 增益正负分贝** - 选定频率的增益/音量的增加或减少。

## 倾斜控制

这是一个增益变化可以设置保持恒定从低于或高于设定的频率。使用以下可配置设置将倾斜EQ滤波器应用于低频或高频：

**倾斜开/关** - 用于打开高或低倾斜EQ过滤器，以激活应用的参数更改。

**频率** - 倾斜滤波器调整的频率起点。

**增益** - 增益的增减/量。

## 分频

这是高通（HP）或低通（LP）分频滤波器可用之处。当使用无源超低音扬声器（将使用LP滤波器）或无法处理低频（HP滤波器）的小型卫星音箱时，此功能非常有用。

使用以下可配置设置过滤器设置低通和高通：

**分频开/关** - 用于打开高通滤波器或低通滤波器以激活应用的参数更改。

**截止频率** - 设置每个HP和LP分频滤波器的-6分贝点。

**滤波器类型** - 每个HP和LP分频滤波器的每倍频程可选择6，12，18，24分贝。数字越大，斜坡的切角越陡。

## 延迟

文本输入字段选择延迟毫秒，英尺或米。

当一个单位输入一个数字时，另外两个单位自动计算。

## 限幅器

**级别** - 限幅器的级别可以选择关，-3分贝，-6分贝，-9分贝。这样做的目的是将信号电平限制在设定的阈值以上，防止高于这一点的额外增益和扬声器的潜在损坏。

## 红外遥控编码

### 仅“连接”型号。

“连接”功放具有IR输入和输出，可与通用遥控器一起使用。功放的命令遵循标准的NEC协议，可以从monitoraudio.com下载

## 故障排除

故障LED指示灯：

### 白色LED - 通道正在削波/处于保护状态模式

当输入信号太高时，通道LED将会亮起纯白色。如果发生这种情况，请降低功放的音量或降低音源的音量。

### 闪烁的白色LED - 热保护

如果发生这种情况，我们建议关闭功放，并在开启电源之前将其冷却至室温。

### 其他故障：

#### 不通电

如果功放没有电，请检查插座内部的保险丝（如果适用）和功放的内部保险丝，请参阅第3页上的连接概述。

#### 没有声音

确保检查所有连接和电缆，如果功放是“连接”模式，请确保通道正确布线并且没有静音。

如果功放配置为桥接模式，请确保开关/设置和接线配置正确。

如果仍然没有输出信号或故障模式仍然存在，请立即联系您当地的经销商/分销商或猛牌公司。

## 保证

如果产品由授权的猛牌零售商提供，则从购买之日起五年内保证本产品的工艺和性能不受制造缺陷的影响（请参阅“重要安全说明”手册中的条款）消费者销售协议。

为了帮助我们在客户数据库中找到您的保修细节，当有必要的时候，请花几分钟时间在线注册您的产品：[monitoraudio.com](http://monitoraudio.com)

## 所有者信息

### 产品详情

型号：\_\_\_\_\_

产品编号：\_\_\_\_\_

购买日期：\_\_\_\_\_

### 经销商详情

经销商名称：\_\_\_\_\_

地址：\_\_\_\_\_

邮政编码：\_\_\_\_\_

电子邮件地址：\_\_\_\_\_

# 规格

型号：	IA150-2	IA60-12	IA200-2C	IA150-8C	IA800-2C	
连接 IP 控制	不适用	不适用	是	是	是	
通道数量	2 (一对立体声)	12 (6 对立体声)	2 (一对立体声)	8 (4 对立体声)	2 (一对立体声)	
"功率 (瓦/通道)"	4 欧姆	150瓦	60瓦	200瓦	150瓦	800瓦
	8 欧姆	100瓦	45瓦	150瓦	140瓦	500瓦
	桥接 (8 欧姆)	320瓦 (单通道)	100瓦 (6 通道)	470瓦 (单通道)	300瓦 (4 通道)	2000瓦 (单通道)
	70 伏	不适用	不适用	不适用	不适用	800W (2CH)
输入阻抗	20 千欧姆					
输出阻抗 (循环RCA)	600 欧姆					
输入灵敏度	100毫伏/1瓦 - 1000毫伏 全功率	100毫伏/1瓦 - 700毫伏 全功率	100毫伏/1瓦 - 1230毫伏 全功率	100毫伏/1瓦 - 1140毫伏 全功率	100毫伏/1瓦 - 2200毫伏 全功率	
最大输入电压 (RMS)	2.9 伏					
"信号到噪声 (SN:R)"	-100分贝 (20赫兹 - 20千赫兹)					
频率响应 (-3分贝)	5 赫兹 - 50 千赫兹					
"总谐波失真 (THD + N@1 千赫兹)"	0.03% @ 1瓦					
机架高度	1U	2U	1U		2U	
"尺寸 - 不含脚垫 (高 x 宽 x 深)"	*42.4 x 438 x 427 毫米 1 11/16 x 17 1/4 x 16 13/16 英寸*	*86.8 x 438 x 427 毫米 3 7/16 x 17 1/4 x 16 13/16 英寸*	*42.4 x 438 x 427 毫米 1 11/16 x 17 1/4 x 16 13/16 英寸"		*86.8 x 438 x 438 毫米 3 7/16 x 17 1/4 x 16 13/16 英寸"	
"尺寸 - 含脚垫 (高 x 宽 x 深)"	*52.8 x 438 x 427 毫米 2 1/16 x 17 1/4 x 16 13/16 英寸*	*97.2 x 438 x 427 毫米 3 13/16 x 17 1/4 x 16 13/16 英寸"	*52.8 x 438 x 427 毫米 2 1/16 x 17 1/4 x 16 13/16 英寸"		*97.2 x 438 x 438 毫米 3 13/16 x 17 1/4 x 16 13/16 英寸"	
Width Including Rack Brackets	482mm 19"					
重量	5.29 公斤 (11磅 10 盎司)	7.34 公斤 (16磅 2盎司)	5.3 公斤 (11磅 10盎司)	7.45 公斤 (16磅 6盎司)	9.2 公斤 (20磅 4盎司)	
IP 通信	不适用	不适用	TCP/IP (RJ-45 10/100 Base T)			
工作电压	100-120伏 @ 60赫兹, 220-240伏 @ 50赫兹					
保险丝额定值	*5A (T5AL ~ 250VAC)*	*10A (T10AL ~ 250VAC)*	*5A (T5AL ~ 250VAC)*	*10A (T10AL ~ 250VAC)*	*15A (T15AL ~ 250VAC)*	
待机功耗	<0.5瓦 (绿色模式)/ <2瓦					

猛牌公司保留更改规格的权利, 恕不另行通知。

# Содержание



Содержание	98	Установка в стандартную стойку	103
Введение	98	Подключение электропитания	103
Передние и задние панели устройств	99	Подключение к сети	103
IA150-2	99	Настройка усилителя с интерфейсом Connect	104
IA60-12	99	Основные настройки	104
IA200-2C	100	Настройки входов и выходов	105
IA150-8C	100	Конфигурирование DSP	106
IA800-2C	101		
Индикаторы	102	ИК-коды	108
Подключение AC	102	Устранение неисправностей	108
Подключение по мостовой схеме	102	Гарантия	108
Ножки	103	Технические характеристики	109

## Введение

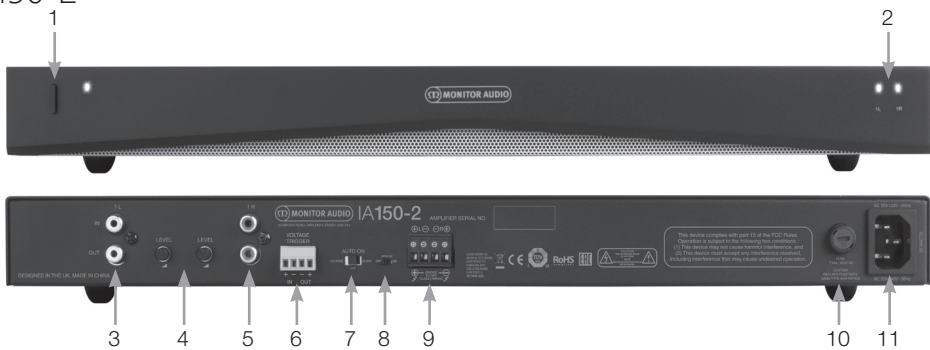
Представляем вам инсталляционные усилители Monitor Audio, созданные для того, чтобы делать больше, используя меньшее пространство. Инновационные технологии позволяют добиться оптимального качества звучания в любом инсталляционном проекте. Эти многоканальные усилители предназначены для использования в жилых и коммерческих помещениях, где требуется мощность до 2000 Вт. Аудиоканалы можно группировать или соединять по мостовой схеме, конфигурируя до 12 каналов.

Мы выбрали всемирно известные усилители Нурех, чтобы гарантировать надёжность и отличное качество звучания, которое вы вправе ожидать от Monitor Audio. Поместили их в плоские корпуса со стандартной высотой 1U и 2U, соответствующие стандартам большинства аппаратных стоек и при этом обеспечивают энергоэффективность, равную 93%.

Все усилители оснащены полным набором средств сопряжения с включением при помощи простого пускового сигнала, передаваемого по кабелю, или функции обнаружения аудиосигнала. Усилители с интерфейсом Connect, оснащённые сложным процессором цифровых сигналов (DSP) и средствами сетевого управления по протоколу IP, предлагают расширенную функциональность и возможности системной интеграции.

# Передние и задние панели устройств

## IA150-2



### ПЕРЕДНЯЯ ПАНЕЛЬ

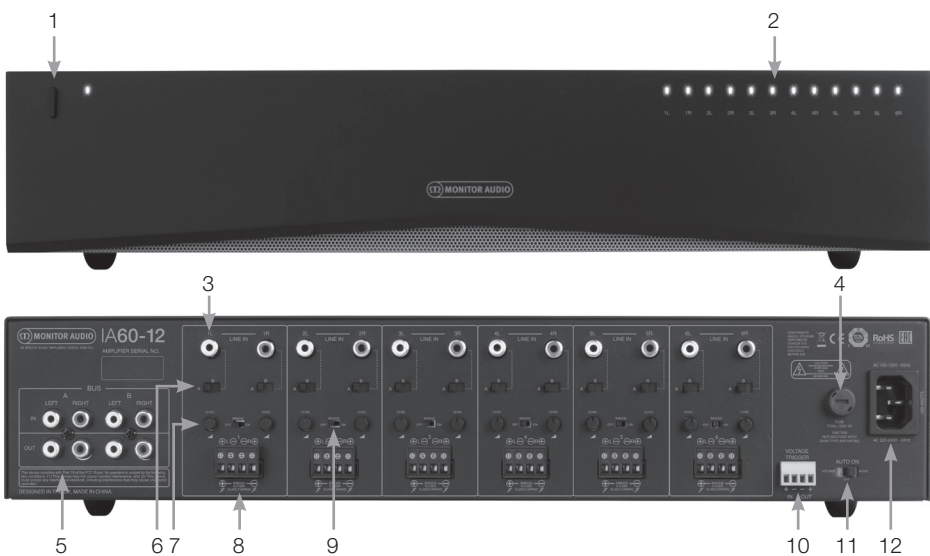
1. Кнопка питания
2. Индикатор каналов

### ЗАДНЯЯ ПАНЕЛЬ

3. Вход и выход левого канала (RCA)
4. Регулировка уровня громкости
5. Вход и выход правого канала (RCA)

6. Триггерный вход/выход
7. Переключатель автозапуска
8. Выключатель режима моста
9. Акустические клеммы
10. Держатель предохранителя
11. Разъём питания

## IA60-12



### ПЕРЕДНЯЯ ПАНЕЛЬ

1. Кнопка питания
2. Индикатор каналов

### ЗАДНЯЯ ПАНЕЛЬ

3. Аудиовходы (RCA)
4. Держатель предохранителя
5. Входы и выходы шины (RCA)
6. Регулировка уровня громкости

7. Переключатель входов
8. Акустические клеммы
9. Выключатель режима моста
10. Триггерный вход/выход
11. Переключатель автозапуска
12. Разъём питания

## IA200-2C



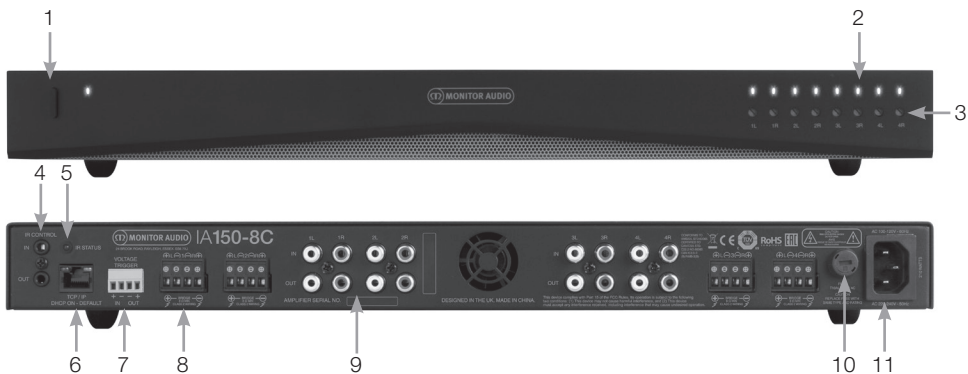
### ПЕРЕДНЯЯ ПАНЕЛЬ

1. Кнопка питания
2. Индикатор каналов
3. Регулятор громкости

### ЗАДНЯЯ ПАНЕЛЬ

4. Вход и выход ИК-управления
5. Индикатор ИК-состояния
6. Аудиовходы и выходы (RCA)
7. Триггерный вход/выход
8. Разъём Ethernet (RJ-45)
9. Акустические клеммы
10. Держатель предохранителя
11. Разъём питания

## IA150-8C



### ПЕРЕДНЯЯ ПАНЕЛЬ

1. Кнопка питания
2. Индикатор каналов
3. Регулятор громкости

### ЗАДНЯЯ ПАНЕЛЬ

4. Вход и выход ИК-управления
5. Индикатор ИК-состояния
6. Разъём Ethernet (RJ-45)
7. Триггерный вход/выход
8. Акустические клеммы
9. Аудиовходы и выходы (RCA)
10. Держатель предохранителя
11. Разъём питания

**ПЕРЕДНЯЯ ПАНЕЛЬ**

1. Кнопка питания
2. Индикатор каналов
3. Регулятор громкости

**ЗАДНЯЯ ПАНЕЛЬ**

4. Акустические клеммы
5. Аудиовходы и выходы (RCA)
6. Триггерный вход/выход
7. Вход и выход ИК-управления
8. Индикатор ИК-состояния
9. Разъём Ethernet (RJ-45)
10. Держатель предохранителя
11. Разъём питания

**Держатель предохранителя**

Здесь находится предохранитель усилителя. При необходимости замены предохранителя отсек можно открыть при помощи отвёртки, поворачивая её против часовой стрелки. Для уточнения характеристик предохранителя ознакомьтесь с информацией, приведённой на устройстве под держателем предохранителя.

**Кнопка питания**

Главный выключатель питания усилителя. Если усилитель не используется в течении долгого периода времени, пожалуйста, убедитесь в том, что он выключен.

**Регулятор громкости****Только для моделей с интерфейсом Connect.**

Увеличить или уменьшить выходную громкость можно с помощью отвёртки. Подробнее – в разделе «Выходная громкость» (см. стр.106). Поворот против часовой стрелки – уменьшение громкости, по часовой стрелке – увеличение громкости.

**Аудиовходы RCA**

Служат для подключения источников аудиосигнала. Модели с увеличенным числом каналов (например, IA60-12) оснащаются большим количеством входов в соответствии с количеством выходных каналов.

**Аудиовыходы RCA**

Служат для подключения ко внешним устройствам – таким, как активные сабвуферы или дополнительные усилители.

**Регулировка уровня громкости****Только для IA150-2 и IA60-12.**

Используется для увеличения или уменьшения громкости. Уменьшите громкость, если акустические системы работают на предельной мощности, или увеличьте её, если громкость слишком низкая.

**Разъём Ethernet (RJ-45)****Только для моделей с интерфейсом Connect.**

Используется для подключения к сети. После подключения усилитель станет видимым для других устройств. Чтобы узнать, как подключить усилитель с интерфейсом Connect, ознакомьтесь с информацией на странице 104.

**Вход и выход ИК-управления**

При подключении к управляющему входу другого устройства усилитель будет включаться и выключаться при помощи подсоединённого устройства. Устройство, подключённое к выходу усилителя, будет включаться и выключаться при помощи усилителя.

## Переключатель автозапуска

### Только для IA150-2 и IA60-12.

При переключении в положение Voltage используется триггерный метод для выхода усилителя из режима ожидания. В положении Audio усилитель будет выходить из режима ожидания при наличии аудиосигнала. Если сигнал будет отсутствовать более 15 минут, усилитель вернётся в режим ожидания. В положении Off аппарат включается вручную.

## Выключатель режима моста

### Только для IA150-2 и IA60-12.

При включении этого режима два выхода объединяются для создания большей выходной мощности.

## Входы шины (RCA)

### Только для IA60-12.

Служат для подключения источников аудиосигнала. В отличие от обычных аудиовходов, могут конфигурироваться для передачи сигнала на несколько выходов.

## Выходы шины (RCA)

### Только для IA60-12.

Служат для передачи сигнала со входов шины на внешние устройства (усилители).

## Переключатель входов

### Только для IA60-12.

Служит для выбора входа – источника сигнала для данного канала усилителя.

## Акустические клеммы

Служит для подключения акустических систем кабелем до 12 калибра.

## ИК-вход

Служит для подключения ИК-приёмника для управления усилителем с помощью ПДУ (подробнее о скачивании команд и HEX-кодов см. на стр. 108).

## ИК-выход

Служит для подключения ИК-репитера для передачи команд на другие устройства. Позволяет нескольким устройствам получать одну и ту же команду через единичную дистанционную команду. Например, целую стойку связанных таким образом усилителей можно отключить одной ИК-командой на выключение.

## Индикаторы

### Индикатор питания (оранжевый):

слабый оранжевый – режим ожидания, яркий оранжевый – питание включено, мигающий яркий оранжевый – режима идентификации или обновление.

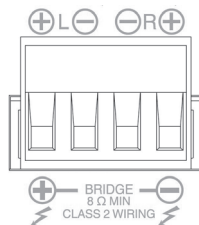
### Индикатор канала (оранжевый/белый):

выключен – сигнал отсутствует, оранжевый – сигнал присутствует, белый – канал работает на предельной мощности или сработал механизм защиты усилителя, мигающий белый – сработал механизм защиты от перегрева.

Если в результате срабатывания механизмов защиты уменьшилась громкость, и усилитель не возвращается в обычный режим, смотрите раздел «Устранение неисправностей» (стр. 108).

## Подключение АС

Усилители оснащены зажимными разъёмами для АС. При помощи плоской отвертки ослабьте винты в верхней части разъёма и вставьте в гнезда акустический кабель толщиной до 12 калибра. Затяните винты, чтобы закрепить кабель.

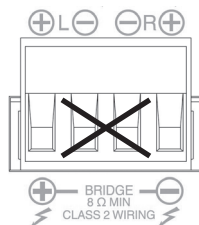


## Подключение по мостовой схеме



**ВНИМАНИЕ: Минимальное сопротивление АС для мостовой схемы – 8 Ом. Не подключайте по этой схеме АС с меньшим сопротивлением.**

1. Установите выключатель режима моста для данной зоны в положение ON.
2. Подключите положительный провод кабеля АС к клемме «+» левого канала усилителя, а отрицательный провод кабеля АС к клемме «+» правого канала. Клеммы «-» не используются.



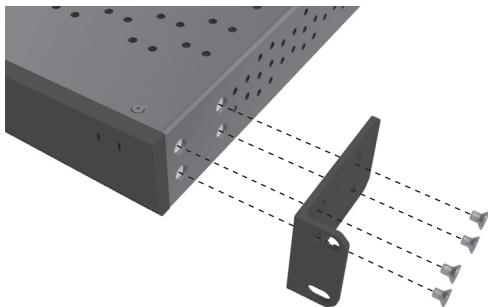


## Ножки

Усилитель снабжён четырьмя резиновыми ножками для использования вне стойки. Прикрутите ножки к четырём резьбовым вставкам, расположенным внизу усилителя.

## Установка в стандартную стойку

Усилитель комплектуется крепёжными кронштейнами для монтажа в стандартную 19-дюймовую стойку. Чтобы установить кронштейны, открутите 4 винта с каждой стороны усилителя по направлению к передней панели. Разместите кронштейны поверх отверстий для винтов и с помощью тех же самых винтов прикрутите их к усилителю.



## Подключение к сети



**ПРИМЕЧАНИЕ: этот раздел применим только для моделей с интерфейсом Connect.**

1. Подключите усилитель к сети с помощью Ethernet-кабеля. Убедитесь, что компьютер и усилитель подключены к одной сети.
2. Включите усилитель.
3. Усилитель получит IP-адрес от роутера.
4. Запустите поиск IP-адреса усилителя с помощью бесплатного приложения для Windows «Advanced IP Scanner» (можно скачать по адресу: <https://www.advanced-ip-scanner.com>)
5. Введите в поисковой строке «Advanced IP Scanner» диапазон IP-адресов вашей сети. Нажмите на кнопку «Scan to search».
6. По двойному клику на IP-адрес усилителя в полученном списке вы перейдёте на страницу настроек усилителя.

В качестве альтернативы, все IP-адреса вашей сети будут доступны из меню настроек вашего роутера. Найдите в списке адресов IP-адрес усилителя и введите его в поисковую строку браузера для доступа к странице настроек усилителя.

## Подключение электропитания

Усилитель комплектуется сетевым кабелем стандарта IEC. Каждый раз, когда сетевой кабель усилителя будет подсоединяться первый раз, и переключатель питания будет переведён в положение ON, все выходы каналов будут отключены приблизительно на 12 секунд, и все индикаторы канала будут загораться на короткое время во время процесса загрузки усилителя.



**ПРИМЕЧАНИЕ: Не вставляйте кабель питания в розетку до тех пор, пока не будет выполнено подсоединение всех элементов системы.**

# Настройка усилителя с интерфейсом Connect

## Основные настройки

В этой вкладке можно отредактировать и сохранить самые основные общие настройки усилителя. Функции описаны ниже.



**ПРИМЕЧАНИЕ: изменения не будут видны до тех пор, пока страница не будет обновлена вручную или пока вы не перейдёте на любую другую страницу.**

The screenshot shows the 'Basic Settings' tab of the amplifier's web interface. It includes sections for:

- Information:** Device Name, Device Model (IA300-2C), Customer Name, Dealer Name, Installer Name, Installation Date, Firmware Version (V1.30), Serial Number (7301261711).
- Power On Method:** Power On Method (Power Button), Delay (0 Seconds).
- Load Global Preset:** Active Global Preset, Select Global Preset (Global Preset1), Edit Preset Name.
- Import/Export Global Preset:** All Presets, Single Preset, Import/Export buttons.
- Reset:** Factory Reset button.
- Update:** Firmware Update button.
- Network:** DHCP (On), IP Address (192.168.68.35), IP Subnet Mask (255.255.255.0).
- Identification Mode:** Flash Power Switch (Off).
- Print:** Print - All Settings button.
- Save & Restore:** Save and Restore buttons.
- Duplicate Global Preset:** From/To dropdowns and Duplicate button.

## Information

Здесь вы можете добавить название усилителя и ввести подробные данные конфигурации для последующего использования. Отображаются модель усилителя, версия прошивки и серийный номер, которые являются редактируемыми.

## Network

**IP Address** – отображает текущий IP-адрес при включённом DHCP. При выключенном DHCP вы можете ввести статический IP-адрес.

**IP Subnet Mask** – показывает текущую маску подсети при включённом DHCP. При выключенном DHCP вы можете ввести необходимую маску подсети.



**ПРИМЕЧАНИЕ: при изменении IP-адреса или маски подсети необходимо снова ввести IP-адрес, чтобы попасть на страницу настроек.**

## Identification Mode

При включении этой опции индикатор питания на передней панели начнёт мигать. Этот режим может быть полезным при использовании нескольких усилителей для определения того усилителя, который конфигурируется.

## Print

Нажмите эту кнопку для получения распечатки с текущими значениями настроек усилителя.

## Power ON

Здесь можно выбрать вариант из подборки методов включения, который больше подходит для вашей инсталляции. Есть возможность установки задержки включения питания от 0 до 20 секунд, если вы хотите включить серию усилителей в определённой последовательности.

**Power Button** – отключает обнаружение триггерного или аудиосигнала. Состояние регулируется кнопкой питания на устройстве.

**Audio** – для включения усилителя используется обнаружение аудиосигнала. Остаётся активной возможность связи по сети. Усилитель будет потреблять до 2 Вт в режиме ожидания.

**Voltage Trigger** – усилитель включается по триггерному сигналу 12 В.

**Audio Green** – для включения усилителя используется обнаружение аудиосигнала. Если сигнал будет отсутствовать более 15 минут, усилитель вернётся в режим ожидания. При переходе в режим ожидания связь по сети отсутствует. Чтобы получить связь с усилителем, необходимо выйти из режима ожидания. Усилитель будет потреблять до 2 Вт в режиме ожидания.

**Voltage Green** – усилитель включается по триггерному сигналу 12 В. При переходе в режим ожидания связь по сети отсутствует. Чтобы получить связь с усилителем, необходимо выйти из режима ожидания. Усилитель будет потреблять до 0.5 Вт в режиме ожидания.

Режим питания	Потребление в режиме ожидания	Связь по сети в режиме ожидания
Power Button	–	–
Audio	2 Вт	есть
Voltage Trigger	2 Вт	есть
Audio Green	0.5 Вт	нет
Voltage Green	0.5 Вт	нет

## Save & Restore

Позволяет сохранить настройки в файл, который можно использовать для восстановления.

## Load Global Preset

**Active Global Preset** – показывает текущую активную общую предустановку, кнопка сброса позволяет вернуться к заводским настройкам.

**Select Global Preset** – выберите предустановку с помощью выпадающего меню.

Кнопка Load активирует выбранный пресет и перезагружает усилитель после подтверждения действия во всплывающем окне. Активная общая предустановка поменяется после обновления страницы.

**Edit Preset name** – введите название для выбранной в данный момент предустановки.

## Import/ Export Global Preset

**All Presets** – импорт и экспорт всех общих предустановок из/в файл.

**Single Preset** – импорт и экспорт выбранной общей предустановки из/в файл.

## Duplicate Global Preset

Копирует настройки пресета «X» в пресет «Y». Оба названия выбираются в выпадающем меню.

## Reset

**Factory Reset** – кнопка Reset возвращает все настройки и предустановки к заводским значениям. После нажатия кнопки индикаторы замигают, после чего усилитель перезагрузится.

## Update

**Firmware Update** – устанавливает прошивку (файл .bin), выбранную пользователем. Если обновление установлено успешно, появляется соответствующее сообщение. После перезагрузки усилителя вернитесь на страницу «Basic Setting». Новейшие версии прошивки доступны на сайте [monitoraudio.com](http://monitoraudio.com).

**ПРИМЕЧАНИЕ: рекомендуем проверять прошивку в процессе настройки. Новейшие версии прошивки доступны на сайте [monitoraudio.com](http://monitoraudio.com).**

# Настройки входов и выходов

Здесь вы можете настроить соответствие каждого из входов выбранному выходу, режим, усиление и уровень громкости. Также здесь можно активировать режим линии 70 В (только для IA800-2C) или режим моста.



**ПРИМЕЧАНИЕ: изменения не будут видны до тех пор, пока страница не будет обновлена вручную или пока вы не перейдёте на любую другую страницу.**

The screenshot shows the 'Input/Output Settings' menu. It is divided into four main sections:

- Input Setup:** Shows four input channels: 1 LEFT, 1 RIGHT, 2 LEFT, and 2 RIGHT. Each has an 'Input Name' dropdown and a 'Trim Level dB' slider set to 0.
- Output Setup:** Shows two output channels: 1 LEFT and 1 RIGHT. It includes dropdowns for 'Channel' (Stereo/Mono), 'Output Name', 'Stereo/Mono', 'DSP Preset', 'Control Zone', and 'Amp Mode'.
- Output Volume:** Shows two output channels with dropdowns for 'Channel', 'Output Volume', 'Turn On Volume', 'Mute', 'Control Zone', 'Maximum Volume', and 'Gain Offset'.
- Output Source:** Shows two output channels with dropdowns for 'Channel', 'Source 1', 'Source 2', and 'Source Select'.

## Input Setup

Показывает все имеющиеся входы. Название каждого входа может быть изменено и проведена настройка уровня сигнала для каждого из каналов в пределах  $\pm 6$  дБ.

## Output Setup

**Channel** – выбор выхода для редактирования. При выборе конкретного канала в выпадающем меню, в соседнем меню будет выбран связанный с ним канал (для 1 LEFT, выбранного в левом меню, будет показан 1 RIGHT в правом меню).

**Output Name** – ввод названия выходного канала.

**Stereo/Mono** – Выбор режима звучания для канала. При выборе значения Mono, данные левый и правый выходные каналы суммируются в моно.

**DSP Preset** – выбирает сохранённый DSP-пресет для выходного канала. Это значение всегда индивидуально для каждого из выходных каналов.

**Control Zone** – выбор A, B, C, D, ... (количество групп равно количеству выходов). Объединяет настройки громкости, отключения звука и способа включения для каналов, объединённых в одной управляемой зоне.

**Amp Mode** – выбор между стерео и мостовым режимами. Позволяет выбрать режим 70 В для IA800-2C.

## Output Volume

**Channel** – выбор выходного канала. При выборе канала из выпадающего меню также будут показаны его эквивалентные каналы в другом выпадающем меню, как показано выше. Для выбранного канала можно управлять опциями:

- Выходная громкость (связана с регулятором на передней панели). Изменение настройки регулятора приводит к изменению значения на странице после её обновления. После настройки на веб-странице регулятор не будет изменять своего значения.
- Уровень громкости при включении.
- Отключение звука.

**Control Zone** – выбор управляемой зоны. В выбранной зоне можно управлять опциями:

- Максимальная громкость
- Тонкая настройка

## Output Source

**Channel** – выбор выходного канала для редактирования маршрутизации. При выборе канала из выпадающего меню также будут показаны его эквивалентные каналы в другом выпадающем меню, как показано выше.

**Source 1** – выбор первичного входа-источника привязанного к выбранному выходному каналу.

Первичный источник всегда настроен в стереорежим (если для левого выхода выбран вход 1L, то для правого автоматически выбирается 1R).

**Source 2** – выбор вторичного входа-источника привязанного к выбранному выходному каналу.

Режим вторичного входа-источника может быть выбран индивидуально.

**Source Select** – выбор между «Приоритет Source 2», «Только Source 1» или «MIX».

По умолчанию: Source 1.

# Конфигурирование DSP

Финальные настройки могут быть выполнены при помощи 10-диапазонного параметрического эквалайзера, а затем сохранены в виде предустановок, которые потом можно экспортировать и импортировать.



**ПРИМЕЧАНИЕ: изменения не будут видны до тех пор, пока страница не будет обновлена вручную или пока вы не перейдете на любую другую страницу.**

## Allocate Preset

**Output Channel** – выбор канала и DSP-предустановки для него. При выборе конкретного канала в выпадающем меню, в соседней ячейке будет выбран сопряжённый канал.

**Output Name** – название выбранного канала. Если его поменять здесь, оно также изменится на странице Input/ Output settings.

**DSP Preset** – выбор сохранённого DSP-пресета для выходного канала. Всегда выбирается индивидуально для каждого канала.

## Test Signal

**Output Channel** – выбор канала для вывода тестового сигнала. При выборе конкретного канала в выпадающем меню, в соседней ячейке будет выбран сопряжённый канал.

**Stimulus** – выбор вывода розового шума или сигнала со входного канала для выбранного ранее выходного канала.

**Volume Level** – уровень громкости для выбранного выходного канала в децибелах.

**On/Off** – включение или выключения тестового сигнала для выбранного выходного канала. Выключается при выходе со страницы.

## Import/Export Preset

**All Presets** – импорт или экспорт всех DSP-предустановок в/из файла.

**Single Preset** – импорт или экспорт выбранной DSP-предустановки в/из файла.

## Duplicate Preset

Копирует настройки пресета «X» в пресет «Y». Оба названия выбираются в выпадающем меню.

## Select/ Rename DSP Preset

**Select DSP Preset** – выбранный DSP-пресет автоматически сохранит любые изменения настроек, показанных ниже.

**Edit Preset Name** – поле для ввода собственного названия предустановки.

**Reset** – сброс всех названий и настроек к заводским установкам.

## EQ Graph

Отображает кривые настроек эквалайзера.

## EQ Parameter

10 диапазонов параметрического эквалайзера, каждый из которых имеет следующие настройки:

**EQ – On/ Off** – включение заданных параметров для выбранного частотного диапазона.

**EQ Frequency** – центральное значение полосы частот, для которой вносятся изменения.

**EQ – Q** – управляет шириной полосы частот, для которой вносятся изменения (диапазон значений 0.3 – 24). Чем меньше значение этой характеристики, тем больше ширина полосы частот. Чем больше значение, тем меньше ширина полосы частот.

**EQ – Gain +/- dB** – уменьшение или увеличение громкости для выбранной частоты.

## Tilt Control

Можно произвести настройку усиления для диапазона ниже или выше заданной частоты. Примените ограничительный фильтр эквалайзера к низким или высоким частотам с помощью конфигурируемых настроек:

**Tilt On/Off** – включение заданных параметров ограничительного фильтра.

**Frequency** – исходная частота установки ограничительного фильтра.

**Gain** – увеличение или уменьшение громкости.

## Crossover

Здесь можно настроить значение частоты кроссовера для верхних (ВЧ) или нижних (НЧ) частот. Это может быть полезным при использовании сабвуфера (будет применяться фильтр НЧ) или спутникового ресивера (фильтр ВЧ). Установите фильтры высоких и низких частот, используя настройки:

**Crossover On/Off** – включение заданных параметров кроссовера.

**Cut off Frequency** – установка точки -6 дБ для каждого фильтра кроссовера ВЧ или НЧ.

**Filter Type** – выбор между 6, 12, 18, 24 дБ на октаву для каждого фильтра кроссовера ВЧ или НЧ. Большее значение указывает на большую крутизну спада фильтра.

## Delay

Значение задержки может быть указано в миллисекундах, футах или метрах.

При вводе одного из значений два других значения подсчитываются автоматически.

## Limiter

**Level** – уровень ограничения можно выбрать между Off, -3 дБ, -6 дБ, -9 дБ. Предназначен для ограничения уровня сигнала (не выше установленного порога), предотвращения усиления выше этой точки и предотвращения повреждений акустических систем.

## ИК-коды

### **Только для моделей с интерфейсом Connex.**

Усилители с интерфейсом Connex имеют ИК-вход и ИК-выход для использования с универсальными системами дистанционного управления. Команды соответствуют стандартному протоколу NEC и могут быть загружены с сайта: [monitoraudio.com](http://monitoraudio.com)

## Устранение неисправностей

Сообщения индикаторов о неисправностях:

### **Белое свечение индикатора – канал работает на предельной мощности или сработал механизм защиты**

Если уровень входного сигнала оказался слишком высоким, индикатор канала будет светиться сплошным белым светом. Уменьшите уровень тонкой настройки на усилителе, либо уменьшите громкость источника аудиосигнала.

### **Мигающий белый индикатор – сработал механизм защиты от перегрева**

Если это произойдёт, мы бы рекомендовали вам выключить усилитель и оставить его охлаждаться до комнатной температуры перед тем, как снова его включить.

Другие неисправности:

### **Отсутствует питание**

Если отсутствует питание усилителя, проверьте состояние предохранителя внутри кабеля (если это возможно) и внутренний предохранитель усилителя (см. стр. 99).

### **Отсутствует звук**

Убедитесь, что вы все подключения и кабели в порядке. Для моделей с интерфейсом Connex убедитесь, что каналы настроены правильно, и на них не отключён звук.

Если усилитель работает в мостовом режиме, убедитесь, что переключатель/настройки и подключение сконфигурированы правильно.

Если усилитель по-прежнему не воспроизводит сигналы или по-прежнему находится в режиме отказа, срочно обратитесь в сервисный центр Monitor Audio.

## Гарантия

Производитель гарантирует высокое качество сборки и нормальную работу усилителя без наличия заводского брака в течение **пяти лет** с даты покупки (смотрите условия в буклете «Важные инструкции по безопасности») при условии, что устройство было продано авторизованным дилером в соответствии с соглашением о продаже потребительских товаров.

Чтобы помочь нам в случае необходимости найти данные о вашей гарантии в нашей базе данных клиентов, пожалуйста, зарегистрируйте ваше устройство на сайте: [monitoraudio.com](http://monitoraudio.com)

## Информация для владельца

### **Сведения о продукте**

Модель: \_\_\_\_\_

Серийный номер: \_\_\_\_\_

Дата продажи: \_\_\_\_\_

### **Сведения о продавце**

Название: \_\_\_\_\_

Адрес: \_\_\_\_\_

\_\_\_\_\_

Индекс: \_\_\_\_\_

E-mail: \_\_\_\_\_

# Технические характеристики

Модель	IA150-2	IA60-12	IA200-2C	IA150-8C	IA800-2C	
Интерфейс Connect	нет	нет	да	да	да	
Количество каналов	2 (1 стереопара)	12 (6 стереопар)	2 (1 стереопара)	8 (4 стереопары)	2 (1 стереопара)	
Мощность (Вт на канал)	4 Ом	150 Вт	60 Вт	200 Вт	150 Вт	800 Вт
	8 Ом	100 Вт	45 Вт	150 Вт	140 Вт	500 Вт
	Мост (8 Ом)	320 Вт (1 канал)	100 Вт (6 каналов)	470 Вт (1 канал)	300 Вт (4 канала)	2000 Вт (1 канал)
	70 В	нет	нет	нет	нет	800 Вт (2 канала)
Входное сопротивление	20 кОм					
Выходное сопротивление (RCA)	600 Ом					
Входная чувствительность	100 мВ / 1 Вт 1000 мВ (полная мощность)	100 мВ / 1 Вт 700 мВ (полная мощность)	100 мВ / 1 Вт 1230 мВ (полная мощность)	100 мВ / 1 Вт 1140 мВ (полная мощность)	100 мВ / 1 Вт 2200 мВ (полная мощность)	
Максимальное напряжение на входе (RMS)	2.9 В					
Соотношение сигнал / шум	-100 дБ (20 Гц – 20 кГц)					
Частотный диапазон (-3 дБ)	5 Гц – 50 кГц					
КНИ	0.03% @ 1 Вт					
Высота корпуса	1U	2U	1U		2U	
Габариты без учёта ножек (В x Ш x Г)	42.4 x 438 x 427 мм	86.8 x 438 x 427 мм	42.4 x 438 x 427 мм		86.8 x 438 x 438 мм	
Габариты с ножками (В x Ш x Г)	52.8 x 438 x 427 мм	97.2 x 438 x 427 мм	52.8 x 438 x 427 мм		97.2 x 438 x 438 мм	
Ширина с учётом кронштейнов	482 мм					
Вес	5.29 кг	7.34 кг	5.3 кг	7.45 кг	9.2 кг	
IP-подключение	нет	нет	TCP/IP (RJ-45 10/100 Base T)			
Параметры электропитания	100 – 120 В @ 60 Гц, 220 – 240 В @ 50 Гц					
Предохранитель	5 А (T5AL ~ 250 В AC)	10 А (T10AL ~ 250 В AC)	5 А (T5AL ~ 250 В AC)	10 А (T10AL ~ 250 В AC)	15 А (T15AL ~ 250 В AC)	
Потребляемая мощность в режиме ожидания	<0.5 Вт (режим энергосбережения)/ <2 Вт					

Компания Monitor Audio оставляет за собой право изменять технические характеристики изделий без предупреждения.

## Змест



Уступ_____	110	Уключэнне ўзмацняльніка_____	115
Агляд раздымаў_____	111	Падключэнне да сеткі_____	115
IA150-2_____	111	Налады ўзмацняльніка Connect на сайце_____	116
IA60-12_____	111	Базавыя налады (Basic Settings)_____	116
IA200-2C_____	112	Налады ўваходу/выхаду (Input/ Output Settings)_____	117
IA150-8C_____	112	Налады лічбавай апрацоўкі сігнала (DSP Configuration)_____	118
IA800-2C_____	113	Коды ІЧ дыстанцыйнага кіравання_____	120
Апісанне раздымаў_____	113	Пошук і выпраўленне няспраўнасцей_____	120
Падключэнне дынамікаў_____	114	Гарантыя_____	120
Маставое падключэнне_____	114	Звесткі пра ўладальніка_____	120
Ножкі_____	115	Тэхнічныя характарыстыкі_____	121
Мантаж узмацняльніка ў стойцы_____	115		

## Уступ

Прадстаўляем інтэграваныя ўзмацняльнікі Monitor Audio, створаныя рабіць больш, займаючы пры гэтым менш месца. Мы выкарыстоўваем найноўшыя тэхналогіі для лепшага гучання, якую б сістэму вы ні выбралі. Мультыканальныя ўзмацняльнікі можна выкарыстоўваць для розных мэт у жылых і камерцыйных памяшканнях у сетках магутнасцю да 2 000 Вт. Аўдыяканалы можна групаваць ці выкарыстоўваць маставое падключэнне. Дзякуючы гэтаму магчымыя розныя варыянты ўсталёўкі, да 12 каналаў.

Мы выбралі вядомыя ва ўсім свеце ўзмацняльнікі Нурех, каб забяспечыць надзейнасць і вышэйшую якасць гучання, як вы і чакаеце ад Monitor Audio, і памясцілі іх у высокія тонкія стойкі 1U і 2U, якія падыходзяць для большасці замацаванняў і забяспечваюць зніжэнне энергаспажывання на 93%.

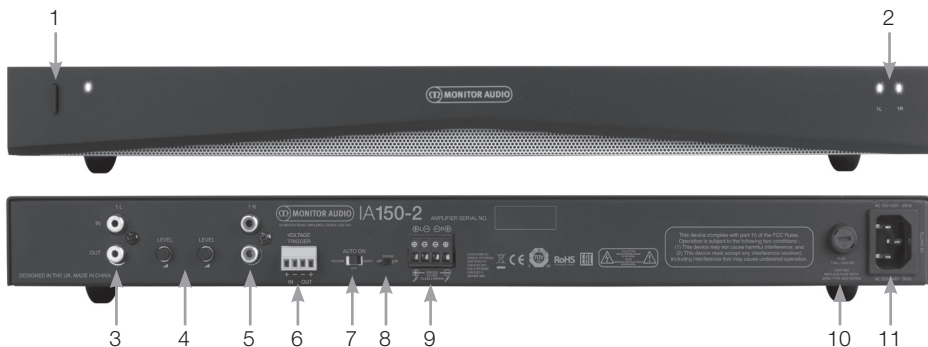
Усе ўзмацняльнікі падтрымліваюць падключэнне простага правяднага трыгера напружання і сэнсара сігнала.

Узмацняльнікі Connect прадугледжваюць больш складаныя налады лічбавай апрацоўкі сігналаў і IP-адрасоў, што забяспечвае яшчэ большую варыянтнасць выкарыстання іх у складзе розных акустычных сістэм.



# Агляд раздымаў

## IA150-2



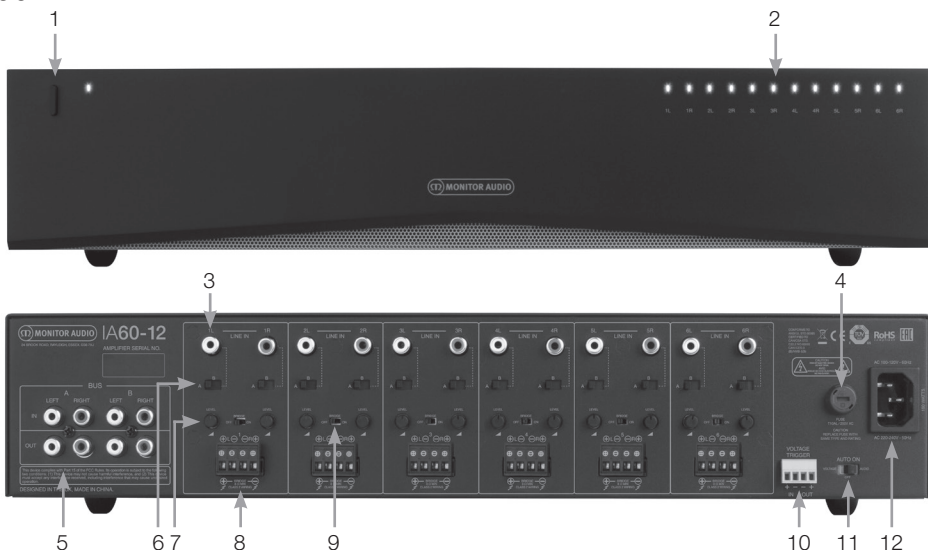
### ПЯРЭДНЯЯ ПАНЭЛЬ

1. Кнопка ўключэння
2. Святлодыёдны індикатар канала

### ЗАДНЯЯ ПАНЭЛЬ

3. Уваход/выхад RCA левага канала
4. Рэгулятар гучнасці
5. Уваход/выхад RCA правага канала
6. Уваход/выхад трыгера
7. Пераключальнік аўтаматычнага ўключэння
8. Пераключальнік моста
9. Блок раздымаў для дынамікаў
10. Патрон засцерагальніка пераменнага току
11. Раздым для падключэння шнура электрасілкавання

## IA60-12



### ПЯРЭДНЯЯ ПАНЭЛЬ

1. Кнопка ўключэння
2. Святлодыёдны індикатар канала

### ЗАДНЯЯ ПАНЭЛЬ

3. Уваходы RCA канала
4. Патрон засцерагальніка пераменнага току
5. Шына з уваходамі/выходамі RCA
6. Пераключальнік уваходу канала
7. Рэгулятар гучнасці
8. Блок раздымаў для дынамікаў
9. Пераключальнік моста
10. Уваход/выхад трыгера
11. Пераключальнік аўтаматычнага ўключэння
12. Раздым для падключэння шнура электрасілкавання

## IA200-2C



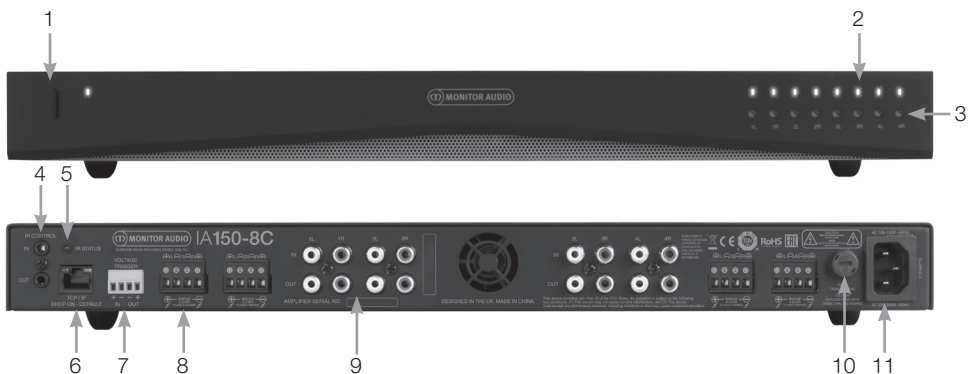
### ПЯРЭДНЯЯ ПАНЭЛЬ

1. Кнопка ўключэння
2. Святлодыёдны індыкатар канала
3. Рэгулятар выхадной гучнасці

### ЗАДНЯЯ ПАНЭЛЬ

4. Уваход і выхад ІЧ кіравання
5. Святлодыёдны індыкатар стану ІЧ кіравання
6. Уваходы/выхады RCA канала
7. Уваход/выхад трыгера напружання
8. Раздым для Ethernet (RJ-45)
9. Блок раздымаў для дынамікаў
10. Патрон засцерагальніка пераменнага току
11. Раздым для падключэння шнура электрасілкавання

## IA150-8C



### ПЯРЭДНЯЯ ПАНЭЛЬ

1. Кнопка ўключэння
2. Святлодыёдны індыкатар канала
3. Рэгулятар выхадной гучнасці

### ЗАДНЯЯ ПАНЭЛЬ

4. Уваход/выхад ІЧ кіравання
5. Святлодыёдны індыкатар стану ІЧ кіравання
6. Раздым для Ethernet (RJ-45)
7. Уваход/выхад трыгера напружання
8. Раздым для падключэння шнура электрасілкавання
9. Блок раздымаў для дынамікаў
10. Уваходы/выхады RCA канала
11. Патрон засцерагальніка пераменнага току
12. Раздым для падключэння шнура электрасілкавання

**ПЯРЭДНЯЯ ПАНЭЛЬ**

1. Кнопка ўключэння
2. Святлодыёдны індыкатар канала
3. Рэгулятар выхадной гучнасці

**ЗАДНЯЯ ПАНЭЛЬ**

4. Блок раздымаў для дынамікаў
5. Уваходы/выхады RCA канала
6. Уваход/выхад трыгера напружання
7. Уваход/выхад ІЧ кіравання

8. Святлодыёдны індыкатар стану ІЧ кіравання
9. Раздым для Ethernet (RJ-45)
10. Патрон засцерагальніка пераменнага току
11. Раздым для падключэння шнура электрасілкавання

**Апісанне раздымаў**

**Патрон засцерагальніка пераменнага току**  
Гэта аддзяленне ўтрымлівае ўнутраны засцерагальнік узмацняльніка. Калі спатрэбіцца замена засцерагальніка, адкрыўце аддзяленне прадметам з плоскім канцом, такім як адвёртка, пракруціўшы яго супраць гадзіннікавай стрэлкі. Тэжнічныя характарыстыкі засцерагальніка надрукаваныя на прадукце пад патронам засцерагальніка.

**Кнопка ўключэння**

Гэта галоўная кнопка выключэння ўзмацняльніка. Выключаўце ўзмацняльнік, калі ён не выкарыстоўваецца на працягу доўгага часу.

**Рэгулятар выхадной гучнасці****Толькі для мадэлей Connect.**

Выкарыстоўвайце адвёртку з малым плоскім канцом, каб павялічыць ці паменшыць выхадную гучнасць. Вы таксама можаце карыстацца раздзелам «Выхадная гучнасць» на сайце. Гл. ст. 118. Павярніце супраць гадзіннікавай стрэлкі пры скажэннях/памехах (як паказвае святлодыёдны індыкатар на пярэдняй панэлі) ці па гадзіннікавай стрэлцы, каб дадаць гучнасць.

**Уваходы RCA канала**

Правы і левы стэрэараздымы RCA для падключэння аўдыякрыніц. Мадэлі з павялічанай колькасцю каналаў, такія як IA60-12, будуць мець больш уваходаў для даступных выхадных каналаў.

**Уваходы RCA канала**

Правы і левы стэрэараздымы RCA для падключэння знешніх прылад прайгравання, такіх як актыўныя

сабвуферы ці дадатковыя ўзмацняльнікі.

**Рэгулятар гучнасці****Толькі для IA150-2 і IA60-12.**

Выкарыстоўваецца для правядзення паменшыць выхадную гучнасць. Паменшыце пры наяўнасці скажэнняў; павялічце, калі выхадная гучнасць занадта нізкая.

**Раздым для Ethernet (RJ-45)****Толькі для мадэлей Connect.**

Выкарыстоўваецца для правядзення падключэння да сеткі. Пасля падключэння ўзмацняльнік будзе бачны іншым прыладам у сетцы. Падрабязней пра налады ўзмацняльніка Connect гл. на ст. 116.

**Уваход і выхад трыгера напружання**

Трыгернае падключэнне можа выконвацца да ўваходу/выхаду іншай прылады. Пры выкарыстанні ўваходу ўзмацняльнік будзе ўключацца і выключацца разам з падключанай прыладай. Пры выкарыстанні выхаду прылада будзе ўключацца і выключацца разам з падключаным узмацняльнікам.

**Пераключальнік аўтаматычнага ўключэння****Толькі для IA150-2 і IA60-12.**

Існуюць тры рэжымы: «Напружанне» (Voltage), «Аўдыя» (Audio) і «Выключана» (Off). У рэжыме «Напружанне» для выхаду ўзмацняльніка з рэжыму чакання будзе выкарыстоўвацца трыгер. У рэжыме «Аўдыя» (Audio)

Ўзмацняльнік выйдзе з рэжыму чакання, калі атрымае аўдыясігнал. Узмацняльнік прыойдзе ў рэжым чакання, калі аўдыясігнал не будзе паступаць на працягу 15 хвілін. У рэжыме «Выключана» (Off) ўзмацняльнік можна ўключаць і выключаць толькі ўручную.

### Пераключальнік моста

#### Толькі для IA150-2 і IA60-12.

Перамашчайце пераключальнік моста ў пазіцыю «Укл.» (On) ці «Выкл.» (Off). У пазіцыі «Укл.» (On) два выхады аб'ядноўваюцца, каб забяспечыць большую выхадную магутнасць.

### Шына з уваходамі RCA

#### Толькі IA60-12.

Правы і левы стэрэаўваходы RCA для падключэння аўдыякрыніц. У адрозненні ад раздымаў каналаў RCA, шыны з уваходамі RCA могуць быць падключаны да некалькіх выхадных каналаў.

### Шына з выходамі RCA

#### Толькі IA60-12.

Правы і левы стэрэараздымы RCA. Могуць выкарыстоўвацца, калі вы хочаце падключыць шыны з уваходнымі сігналам паслядоўна да знешніх прылад ці дадатковых узмацняльнікаў.

### Пераключальнік шыны

#### Толькі IA60-12.

Выберыце ўваход для аўдыякрыніцы для канала на ўзмацняльніку.

### Блок раздымаў для дынамікаў

Допускаецца выкарыстоўваць да 12 стандартных кабеляў для падключэння дынамікаў. Гл. наступны слупок на гэтай старонцы.

### ІЧ уваход

Падключыце ІЧ рэсвер да гэтага ўваходу, каб кіраваць узмацняльнікам з дапамогай дыстанцыйнага кіравання. Каб знайсці больш інфармацыі пра коды Нех, гл. ст. 120.

### ІЧ выхад

Для выкарыстання з ІЧ рэтранслятарам ці падключэння да ІЧ увахода іншага ўзмацняльніка, каб некалькі прылад атрымлівалі адны і тыя ж каманды дыстанцыйнага кіравання. Напрыклад, адна каманда ўключэння/выключэння можа выкарыстоўвацца для ўсёй стойкі інтэграваных узмацняльнікаў, а не для кожнага паасобку.

### Святлодыёдныя індыкатары

#### Індыкатар уключэння (аранжавы)

Прыглушаны аранжавы індыкатар – рэжым чакання  
Яркі аранжавы індыкатар – прылада ўключана  
Аранжавы індыкатар міргае – рэжым распазнавання ці абнаўлення

#### Індыкатар каналу (аранжавы / белы падвойны індыкатар)

Індыкатар выключаны – няма сігналу

Аранжавы індыкатар – сігнал ёсць

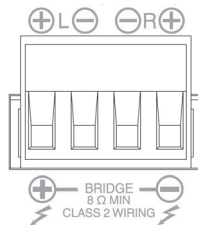
Белы індыкатар – перашкоды на канале ці ўзмацняльнік перайшоў у рэжым абароны

Белы індыкатар міргае – абарона ад перагрэву

Пры ўзнікненні перашкод і пры абароне ад перагрэву пламеншасць гучнасць. Калі праблема застаецца, гл. раздзел выпраўлення няспраўнасцей на ст. 12.

## Падключэнне дынамікаў

Ва ўсіх узмацняльніках ёсць блок раздымаў для бяспечнага падключэння дынамікаў. Для простага доступу гэтыя блокі можна здымаць. Выкарыстоўваючы адвёртку з плоскім канцом, аслабце галоўкі балтоў уверсе блоку дынамікаў і ўстаўце кабель дынаміка да адзнакі 120 у раздым спераду. Замацуйце галоўкі балтоў, каб зафіксаваць кабель дынаміка.

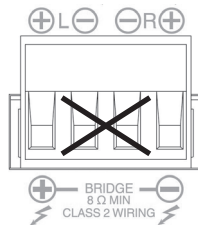


## Маставое падключэнне



**УВАГА! Мінімальнае супраціўленне катушкі дынаміка пры маставым падключэнні – 8 Ом. Не выкарыстоўвайце маставое падключэнне для дынамікаў з намінальным супраціўленнем катушкі, меншым за 8 Ом.**

1. Перавядзіце пераключальнік моста ў пазіцыю «Укл.» (ON), гл. раздзел «Агляд раздымаў».
2. Падключыце провад дынаміка «+» да раздыму левага канала, адзначанага «+», а провад дынаміка «-» да раздыму левага канала, адзначанага «+». Выхады «-» не выкарыстоўваюцца.

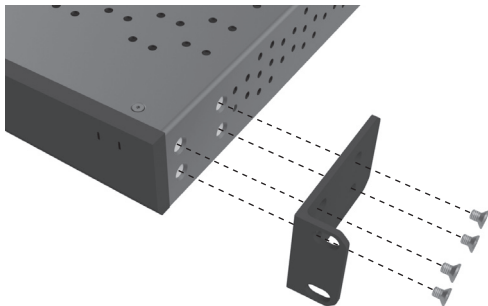


## Ножкі

Кожная мадэль узмацняльніка пастаўляецца з чатырма гумавымі ножкамі для выкарыстання без стойкі. Каб прымацаваць ножкі, проста прыкруціце іх у разьбовыя адтуліны на ніжняй частцы корпуса ўзмацняльніка.

## Мантаж узмацняльніка ў стойцы

Кожная мадэль узмацняльніка пастаўляецца з кранштэйнамі для замацавання ў стандартнай тэлекамунацыйнай стойцы. Каб прымацаваць кранштэйны, зніміце 4 балты з кожнага боку ўзмацняльніка. Сумясціце кранштэйны з адтулінамі, якія атрымаліся, і замацуйце кранштэйны тымі ж самымі балтамі.



## Уключэнне ўзмацняльніка

Усе мадэлі пастаўляюцца з кабелем сілкавання. Кожны раз пры першым уключэнні кабелю сілкавання ў электрычную сетку і ўключэння ўзмацняльніка кнопкай усе выхады каналаў будуць адключаны на працягу прыкладна 12 секунд, а ўсе святлодыёдныя індыкатары каналаў будуць міргаць падчас загрузкі ўзмацняльніка.



**ЗАЎВАГА! Не ўключайце сістэму ў разетку, пакуль не падключыце ўсе элементы сістэмы.**

## Падключэнне да сеткі



**ЗАЎВАГА! Гэты раздзел датычыцца толькі мадэлей Connect.**

3. Падключыце ўзмацняльнік да сеткі з дапамогай Ethernet-кабелю. Праверце, каб камп'ютар і ўзмацняльнік знаходзіліся ў адной сетцы.
4. Уключыце ўзмацняльнік.
5. Пераключальнік сеткі задасць IP-адрас узмацняльніка.
6. Запусціце праграму пошуку IP-адраса, напрыклад, «Пашыраны IP-сканер» (Advanced IP Scanner, толькі для Windows), які можна спампаваць тут: <https://www.advanced-ip-scanner.com>
7. Запусціце «Пашыраны IP-сканер» (Advanced IP Scanner) ці іншую выбраную вамі праграму і ўвядзіце дыяпазон IP-адрасоў сеткі (вызначаецца маршрутызатарам) у панэль пошуку ўверсе. Каб пачаць пошук, націсніце «Сканіраваць» (Scan).
8. IP-адрас узмацняльніка ў спісе будзе мець выпадную опцыю. Націсніце на яе двойчы, каб перайсці да старонкі налад узмацняльніка.
9. Вы таксама можаце знайсці ўсе IP-адрасы сеткі на старонцы канфігурацыі маршрутызатара.
10. Калі вы будзеце ведаць IP-адрас узмацняльніка, вы можаце ўвесці яго ў выбраны вамі браўзер для доступу на сайт.

# Налады ўзмацняльніка Connect на сайце

## Базавыя налады (Basic Settings)

Вось самыя асноўныя налады, якія можна змяняць і захоўваць. У наступным раздзеле апісваюцца ўсе функцыі, прыведзеныя ў табліцы.



**ЗАЎВАГА!** Некаторыя змены на сайце не будуць адлюстроўвацца, пакуль вы не абновіце старонку ўручную ці не прыйдзеце на іншую старонку.

### Звесткі (Information)

Тут вы можаце дадаць назву ўзмацняльніка ці ўвесці інфармацыю пра ўсталёўку, каб можна было звярнуцца да яе пазней. Мадэль узмацняльніка, версія праграмнага забеспячэння і серыйны нумар будуць паказаны тут. Іх нельга змяняць.

### Сетка (Network)

**IP-адрас (IP Address)** – паказвае бягучы IP-адрас, калі DHCP уключаны. Калі DHCP выключаны, вы можаце ўвесці пажаданы статычны IP-адрас.

**Маска падсеткі (IP Subnet Mask)** – паказвае бягучую маску падсеткі, калі DHCP уключаны. Калі DHCP выключаны, вы можаце ўвесці пажаданую маску падсеткі.



**ЗАЎВАГА!** Калі вы змяняеце IP-адрас ці маску падсеткі, **неабходна ўвесці новы IP-адрас у веб-браўзеры, каб перайсці на вэб-партал узмацняльніка.**

### Рэжым ідэнтыфікацыі (Identification Mode)

Калі гэта опцыя ўключана, святлодыёд уключэння на пярэдняй панэлі пачынае міргаць. Пры выкарыстанні некалькіх узмацняльнікаў гэта дапамагае вызначыць, які з узмацняльнікаў наладжваецца.

### Друк (Print)

Націсніце, каб адкрыць старонку для друку з бягучымі наладамі ўзмацняльніка.

### Уключэнне (Power ON)

Тут вы можаце выбраць спосаб уключэння (апісана ніжэй), які больш за ўсё вам падыходзіць. Затрымка ўключэння можа быць зададзена ў дыяпазоне ад 0 да 20 секунд. Гэта можа спатрэбіцца, калі вы хочаце, каб некалькі ўзмацняльнікаў уключаліся ў вызначанай паслядоўнасці.

**Кнопка ўключэння (Power Button)** – выключае ўспрыняцце сігналу і трыгера. Узмацняльнік уключаецца і выключаецца толькі кнопкай уключэння на прыладзе.

**Аўдыя (Audio)** – гэты рэжым выкарыстоўвае ўспрыняцце сігналу для ўключэння ўзмацняльніка. Акрамя таго, магчыма камунікацыя ў сетцы. У гэтым рэжыме ўзмацняльнік будзе спажываць 2 Вт у рэжыме чакання.

**Трыгер напружання (Voltage Trigger)** – уключае ўзмацняльнік з дапамогай 12-вольтага трыгера.

**Рэжым энергазберажэння «Аўдыя» (Audio Green)** – гэты рэжым выкарыстоўвае ўспрыняцце сігналу для ўключэння ўзмацняльніка. Узмацняльнік прыйдзе ў рэжым чакання, калі аўдыясігнал не будзе паступаць на працягу 15 хвілін. Перадача даных па сетцы выключана ў рэжыме чакання; для камунікацыі з узмацняльнікам неабходна выйсці з рэжыму чакання. У гэтым рэжыме ўзмацняльнік будзе спажываць 0,5 Вт у рэжыме чакання.

**Рэжым энергазберажэння «Напружанне» (Voltage Green)** – гэты рэжым выкарыстоўвае трыгер для ўключэння і выключэння ўзмацняльніка. Перадача даных па сетцы выключана ў рэжыме чакання; для камунікацыі з узмацняльнікам неабходна выйсці з рэжыму чакання. **ЗАЎВАГА!** У гэтым рэжыме ўзмацняльнік будзе спажываць 0,5 Вт у рэжыме чакання.

Рэжым магутнасці	Рэжым чакання	Сеткавыя камунікацыі ў рэжыме чакання
Кнопка ўключэння	Н/П	Н/П
Аўдыя	2 Вт	Ёсць
Трыгер напружання	2 Вт	Ёсць
Энергазберагальны рэжым «Аўдыя»	0,5 Вт	Няма
Энергазберагальны рэжым «Напружанне»	0,5 Вт	Няма

## Захаваць і аднавіць (Save & Restore)

Тут усе налады можна захаваць у файл, які пры неабходнасці можна будзе выкарыстоўваць для аднаўлення.

## Загрузіць агульныя налады (Load Global Preset)

**Актыўныя агульныя налады (Active Global Preset)** – бягучыя актыўныя агульныя налады (паказвае назву бягучых актыўных агульных налад, гэта не поле ўводу тэксту) з кнопкай скіду налад да стандартных.

## Выбраць агульныя налады (Select Global Preset)

дазваляе выбраць з выпаднага меню, якія налады вы хочаце рэдагаваць і прымяняць.

Кнопка загрузкі побач з выпадным меню актывуе выбраную наладу і перазагрузіць узмацняльнік пасля пацвярджэння ва ўсплывальным акне. Актыўныя агульныя налады будуць адлюстраваны пасля абнаўлення вэб-старонкі.

## Рэдагаваць назву налады (Edit Preset name)

дазваляе поле для рэдагавання назвы налады, выбранай у выпадным меню.

## Імпарт/экспарт агульнай налады (Import/Export Global Preset)

**Усе налады (All Presets)** – імпарт/экспарт усіх агульных налад у файл ці з файла.

**Адна налада (Single Preset)** – імпарт/экспарт адной агульнай налады з меню ў файл ці з файла.

## Дубліраваць агульныя налады (Duplicate Global Preset)

Капіраванне агульнай налады X у агульную наладу Y. Абедзве налады можна выбраць у выпадным меню.

## Скід налад (Reset)

**Скід да заводскіх налад (Factory Reset)** – кнопка скіду верне ўсе налады (агульныя і налады лічбавай апрацоўкі сігнала) да заводскіх налад. Калі націснуць гэту кнопку, святлодыёдны індикатар уключэння заміргае, а потым адбудзецца перазагрузка.

## Абнаўленне (Update)

**Абнаўленне праграмага забеспячэння (Firmware Update)** – гэта кнопка ўсталюе праграму (файл у фармаце .bin), выбраную карыстальнікам. Калі абнаўленне пройдзе паспяхова, на сайце з'явіцца апавяшчэнне. Выконвайце прапанаваныя крокі, каб перазапусціць узмацняльнік і вярнуцца на старонку базавых налад. Апошняя версія праграмага забеспячэння будзе даступная для спампоўкі на сайце [monitoraudio.com](http://monitoraudio.com)

**ЗАЎВАГА! Мы раім правяраць версію праграмага забеспячэння падчас кожнай усталёўкі. Апошняю версію праграмага забеспячэння можна знайсці на сайце [monitoraudio.com](http://monitoraudio.com)**

# Налады ўваходу/выхаду (Input/Output Settings)

Тут вы можаце наладзіць шлях кожнага ўваходу для выбранага выхаду. Таксама можна задаць узровень сігнала, рэжым, зрушэнне і параметры гуку. Тут вы таксама можаце актываваць рэжымы ўзмацняльніка, такія як 70-вольтная лінія (толькі для IA800-2C) ці маставое падключэнне.



**ЗАЎВАГА! Некаторыя змены на сайце не будуць адлюстроўвацца, пакуль вы не абновіце старонку ўручную ці не прайройдзеце на іншую старонку.**

## Налады ўваходу (Input Setup)

Тут паказаны ўсе даступныя каналы ўваходу. Назву кожнага ўваходу можна змяніць, а ўзровень сігнала для кожнага каналу можна задаваць крокам +/-6 дБ. Узровень сігнала (Trim Level) – гэта ўзровень на ўваходзе перад узмацненнем.

## Налады выхаду (Output Setup)

**Канал (Channel)** – выберыце выхадны канал для рэдагавання. Калі канал выбраны ў выпадным меню, эквівалентны яму канал таксама будзе паказаны ў іншым выпадным меню (напрыклад, калі канал 1 ЛЕВЫ выбраны ў левым выпадным меню, у правым выпадным меню з'явіцца канал 1 ПРАВАЙ).

**Назва выхаду (Output Name)** – увядзіце назву ўваходу для назвы выхаду каналу.

**Стэрэа/Мона (Stereo/ Mono)** – выбар «Стэрэа/Мона» для кожнага каналу. Калі выбраны рэжым «Мона» (Mono), правы і левы ўваходныя каналы аб'ядноўваюцца ў мона на выбраных выхадах.

**Налады DSP (DSP Preset)** – выбар захаваў налад DSP для прымянення на выхадных каналах. Заўсёды індывідуальна выбіраюцца для кожнага каналу, ніколі не сінхронізуюцца ў стэрэапар.

**Контрольная зона (Control Zone)** – выберите A, B, C, D, ... (Колькасць груп = колькасць выхадных каналаў). Аб'ядноўвае налады «Выхадная гучнасць» (Output Volume), «Уключыць гучнасць» (Turn On Volume) і «Выключыць гучнасць» (Mute) на розных каналах з аднолькавай кантрольнай зонай. Для кіравання некалькімі каналамі як адной зонай.

**Рэжым узмацняльніка (Amp Mode)** – выберите рэжым «Стэрэа» (Stereo) ці «Маставое падключэнне» (Bridged). У IA800-2C таксама выкарыстоўваецца 70-вольтны рэжым.

Выхадная гучнасць (Output Volume)

**Канал (Channel)** – выберите выхадны канал для рэдагавання. Калі канал выбраны ў выпадным меню, эквівалентны яму канал таксама будзе паказаны ў іншым выпадным меню. Наступныя параметры кантралююць выхад выбранага каналу:

- Выхадная гучнасць (Output Volume) – звязана з рэгулятарам на прэздняй панэлі. Змяненне палажэння рэгулятара на прэздняй панэлі змяняе значэнне на вэб-старонцы (пасля абнаўлення). Палажэнне рэгулятара не змяняецца, калі змены ўносіцца на вэб-старонцы.

- Уключыць гучнасць (Turn On Volume)

- Выключыць гучнасць (Mute)

**Кантрольная зона (Control Zone)** – выберите кантрольную зону. Наступныя параметры кантралююць выхад выбранай зоны:

- Максімальная гучнасць (Maximum Volume)

- Зрушэнне ўзмацнення (Gain Offset)

Выхадная крыніца (Output Source)

**Канал (Channel)** – выберите выхадны канал для рэдагавання шляху. Калі канал выбраны ў выпадным меню, эквівалентны яму канал таксама будзе паказаны ў іншым выпадным меню.

**Крыніца 1 (Source 1)** – выберите першасную ўваходную крыніцу для накіравання ў выбраны канал.

Першасная крыніца заўсёды падключана ў рэжыме «Стэрэа» (Stereo), напрыклад, калі 1L выбрана для левага канала, 1R будзе аўтаматычна выбрана для правага канала

**Крыніца 2 (Source 2)** – выберите другасную ўваходную крыніцу для накіравання ў выбраны канал.

Другасная крыніца можа выбірацца асобна і не павінна падключацца ў рэжыме «Стэрэа» (Stereo).

**Выбар крыніцы (Source Select)** – выбар паміж прырыятнай крыніцай 2 (Priority Source 2), толькі крыніцай 1 (Source 1 Only) ці PA3AM (MIX).

Калі вы выбяраеце крыніцу 1 (Source 1), Крыніцу 2 (Source 2) ці PA3AM (MIX) (крыніцы 1 і 2), будзе выбраны адпаведны выхадны канал. Стандартна: Крыніца 1.

## Налады лічбавай апрацоўкі сігнала (DSP Configuration)

Ва ўкладцы налад DSP можна выканаць фінальную наладку гучання з дапамогай 10-палоснага эквалайзера. Гэтыя налады можна захоўваць як папярэднія налады, якія можна экспартаваць і імпартаваць.



**ЗАЎВАГА! Некаторыя змены на сайце не будуць адлюстроўвацца, пакуль вы не абновіце старонку ўрочную ці не прыядзеце на іншую старонку.**



Назначыць папярэднія налады (Allocate Preset)

**Выхадны канал (Output Channel)** – выберыце канал для рэдагавання і наладу DSP (DSP Preset). Калі канал выбраны ў выпадным меню, эквівалентны яму канал таксама будзе паказаны ў адаведным выпадным меню.

**Назва выхаду (Output Name)** – тэкставы ўвод назвы канала. Калі назва будзе зменена тут, яна таксама зменіцца на старонцы налад уваходу/выхаду.

**Налады DSP (DSP Preset)** – выбар захаваных налад DSP для прымянення на выхадных каналах. Заўсёды індывідуальна выбіраюцца для кожнага каналу, ніколі не сінхронізуюцца ў стэрэапары.

Тэставы сігнал (Test Signal)

**Выхадны канал (Output Channel)** – выберыце выхадны канал для накіравання тэставага сігналу. Калі канал выбраны ў выпадным меню, эквівалентны яму канал таксама будзе паказаны ў іншым выпадным меню.

**Стымул (Stimulus)** – выберыце ружовы шум (Pink Noise) ці любы ўваходны канал, каб часова накіраваць на выбраны выхад.

**Узровень гучнасці (Volume Level)** – узровень гучнасці стымулу выбранага канала ў дБ.

**Укл./Выкл. (On/ Off)** – уключае і выключае выбраны стымул. Стандартна выключаецца пасля выхаду са старонкі налад DSP.

Імпарт/экспарт налад (Import/ Export Preset)

**Усе налады (All Presets)** – імпарт/экспарт усіх налад DSP у файл ці з файла.

**Адна налада (Single Preset)** – імпарт/экспарт адной выбранай налады DSP у файл ці з файла.

Дубліраваць налады (Duplicate Preset)

Капіраванне налады DSP X у наладу DSP Y. Абедзве налады можна выбіраць у выпадным меню.

Выбраць / перайменаваць наладу DSP (Select/ Rename DSP Preset)

**Выбраць наладу DSP (Select DSP Preset)** – выбраная налада будзе аўтаматычна захоўваць усе змены ў наладах эквалайзера ў наладах ніжэй.

**Рэдагаваць назву налады (Edit Preset Name)** – поле для ўводу карыстальніцкай назвы налады замест стандартнай.

**Скід налад (Reset)** – скідае ўсе назвы і налады выбранай першапачатковай налады да стандартных значэнняў.

Графік эквалайзера (EQ Graph)  
Паказвае крывую налад эквалайзера

Параметры эквалайзера (EQ Parameter)  
10-палосны эквалайзер з наступнымі зменнымі наладамі:

**Эквалайзер Укл./Выкл. (EQ – On/ Off)** – выкарыстоўваецца для ўключэння дыяпазону частот для актывацыі змены прымененых параметраў.

**Частата эквалайзера (EQ Frequency)** – цэнтральная кропка дыяпазону частот, пры якой прымяняюцца змены.

**Эквалайзер – Q (EQ – Q)** – Q-фактар кантральное дыяпазоне, на які будзе ўздзейнічаць эквалайзер (значэнне ў дыяпазоне ад 0,3 да 24). Чым ніжэйшы Q-фактар, тым шырэйшы дыяпазон (і будуць задзейнічаны больш частот з абодвух бакоў ад цэнтральнай кропкі). Чым вышэй Q-фактар, тэм ніжэйшы будзе дыяпазон (і будзе задзейнічана менш частот).

**Выраўноўвальнік частаты +/- дБ (EQ – Gain +/- dB)** – павышэнне ці паніжэнне ўзроўню/гучнасці абранай частаты.

Нахільная рэгуліроўка (Tilt Control)

Тут вы можаце змяняць гучнасць частот, каб задаць павелічэнне ці памяншэнне ад зададзенай гучнасці частаты. Прымяняецца «Нахільную рэгуліроўку эквалайзера» (Tilt EQ Filter) да нізкіх і высокіх частот, змяняючы наступныя параметры:

**Нахільная рэгуліроўка Укл./Выкл. (Tilt On/ Off)** – выкарыстоўваецца для выбару высокачастотнага (High Tilt EQ Filter) ці нізкачастотнага фільтра (Low Tilt EQ Filter) нахільнай рэгуліроўкі эквалайзера, каб актываваць змену неабходнага параметра.

**Частата (Frequency)** – стартавая кропка для прымянення рэгуліроўкі.

**Прырост (Gain)** – павелічэнне ці памяншэнне узроўню/ гучнасці.

Красоверы (Crossover)

Тут вы можаце прымяняць фільтры для верхніх частот (НР) ці ніжніх частот (ЛР). Гэта карысна пры выкарыстанні пасіўных сабвуфераў (будзе прымяняцца фільтр LP) ці маленькіх сатэлітных дынамікаў, якія не ўспрымаюць нізкія частоты (будзе прымяняцца фільтр НР). Устаўляюцца фільтры для верхніх (НР) і ніжніх частот (LP), наладжваючы наступныя параметры:

**Красовер Укл./Выкл. (Crossover On/ Off)** – выкарыстоўваецца для ўключэння фільтра для верхніх частот (НР) ці ніжніх частот (LP) для актывацыі змены прымененых параметраў.

**Зніжэнне частаты (Cut off Frequency)** – задае зніжэнне на 6 дБ для кожнага фільтра для верхніх частот (НР) ці ніжніх частот (LP).

**Тып фільтра (Filter Type)** – можна змяняць крокам па 6, 12, 18, 24 дБ на актаву для кожнага фільтра для верхніх частот (НР) ці ніжніх частот (LP). Чым больш значэнне, тым больш круты нахіл вугла закрыцця.

Затрымка (Delay)

Тэкставае поле ўводу для задання затрымкі ў мілісекундах, футах ці метрах.

Калі значэнне зададзена для адной велічыні, дзве астатнія вылічваюцца аўтаматычна.

## Абмежавальнік (Limiter)

**Узровень (Level)** – узровень абмежавальніка, выбраны з наступных варыянтаў: Выкл. (Off), -3 дБ (-3dB), -6 дБ (-6dB), -9 дБ (-9dB). Распрацаваны, каб узровень сігналу не перавышаў зададзенае парогавое значэнне; прадухіляе дадатковае павелічэнне адносна выбранай кропкі і патэнцыйнае пашкоджанне дынамікаў.

## Коды ІЧ дыстанцыйнага кіравання

### Толькі для мадэляў Connect.

Узмацняльнікі Connect маюць ІЧ уваходы і выходы для выкарыстання з універсальнымі пультамі дыстанцыйнага кіравання. Каманды адпавядаюць пратаколу NEC. Іх можна спампаваць з сайта: [monitoraudio.com](http://monitoraudio.com)

## Пошук і выпраўленне няспраўнасцей

Індикатары памылкі:

### Белы індикатар – перашкоды на канале / рэжым абароны

Калі ўваходны сігнал занадта моцны, светладыёдны індикатар канала будзе святліцца белым, не міргаючы. Каб выправіць няспраўнасць, панізьце ўзровень частаты на ўзмацняльніку ці гучнасць крыніцы гука.

### Белы індикатар міргае – абарона ад перагрэву

Калі гэта адбудзецца, мы раім выключыць узмацняльнік, каб ён астыў да тэмпературы памяшкання перад паўторным уключэннем.

Іншыя няспраўнасці:

### Узмацняльнік не ўключаецца

Калі ўзмацняльнік не ўключаецца, праверце стан плаўкага засцерагальніка ў вільцы (калі ёсць) і засцерагальніка ў сабвуферы. Глядзіце «Агляд раздымаў» на старонцы 111.

### Няма гукі

Праверце ўсе падключэнні і кабелі. Для мадэляў Connect праверце, каб каналы былі правільна накіраваны, а гук не адключаны.

Калі выкарыстана маставое падключэнне, праверце ўключальнікі/налады і правільнасць падключэння правадоў.

Калі вы ўсё роўна не атрымліваеце сігналу ці паказваецца памылка, неадкладна звяжыцеся з мясцовым дылерам / дыстрыб'ютарам Monitor Audio.

## Гарантыя

Гарантуецца, што прылада і па якасці вырабу і па рабочых характарыстыках не будзе мець вытворчых дэфектаў на працягу **пяці** гадоў з даты пакупкі (гл. умовы ў Інструкцыі карыстальніка) у тым выпадку, калі прадукт быў дастаўлены ўпаўнаважаным рознічным прадаўцом Monitor Audio у адпаведнасці з дагаворам куплі-продажу спажывецкіх тавараў.

Каб мы маглі хутка знайсці вашы гарантыйныя дадзеныя ў кліенцкай базе дадзеных, калі ў гэтым узнікне неабходнасць, зарэгіструйце свой прадукт у Інтэрнэце па адрасе: [monitoraudio.com](http://monitoraudio.com). Гэта зойме некалькі хвілін.

## Звесткі пра ўладальніка

### Характарыстыкі вырабу

Мадэль: \_\_\_\_\_

Серыйны нумар: \_\_\_\_\_

Дата продажу: \_\_\_\_\_

### Дадзеныя дылера

Назва дылера: \_\_\_\_\_

Адрас: \_\_\_\_\_

Паштовы індэкс: \_\_\_\_\_

Адрас электроннай пошты: \_\_\_\_\_

# Тэхнічныя характарыстыкі

Мадэль:		IA150-2	IA60-12	IA200-2C	IA150-8C	IA800-2C
Кіраванне IP Connect		Н/П	Н/П	Ёсць	Ёсць	Ёсць
Колькасць каналаў		2 (адна стэрэапара)	12 (6 стэрэапар)	2 (адна стэрэапара)	8 (4 стэрэапары)	2 (адна стэрэапара)
Магутнасць (Вт/канал)	4 Ом	150 Вт	60 Вт	200 Вт	150 Вт	800 Вт
	8 Ом	100 Вт	45 Вт	150 Вт	140 Вт	500 Вт
	Мост (8 Ом)	320 Вт (1 канал)	100 Вт (6 каналаў)	470 Вт (1 канал)	300 Вт (4 каналы)	2000 Вт (1 канал)
	70 В	Н/П	Н/П	Н/П	Н/П	800 Вт (2 каналы)
Уваходны імпеданс				20 кОм		
Выходны імпеданс (Loop RCA)				600 Ом		
Адчувальнасць на ўваходзе		100 мВ/1 Вт - 1000 мВ поўная магутнасць	100 мВ/1 Вт - 700 мВ поўная магутнасць	100 мВ/1 Вт - 1230 мВ поўная магутнасць	100 мВ/1 Вт - 1140 мВ поўная магутнасць	100 мВ/1 Вт - 2200 мВ поўная магутнасць
Максімальнае ўваходнае напружанне (RMS)				2,9 В		
Сігнал/шум (SN:R)				-100 дБ (20 Гц - 20 кГц)		
Частотная характарыстыка (-3 дБ)				5 Гц - 50 кГц		
Кэфіцыент гарманічных скажэнняў (THD + N пры 1 кГц)				0,03% пры 1 Вт		
Вышыня стойкі		1U	2U	1U	2U	
Габарыты - Без ножак (В x Ш x Г)		42,4 x 438 x 427 мм 1 11/16 x 17 1/4 x 16 13/16"	86,8 x 438 x 427 мм 3 7/16 x 17 1/4 x 16 13/16"	42,4 x 438 x 427 мм 1 11/16 x 17 1/4 x 16 13/16"	86,8 x 438 x 438 мм 3 7/16 x 17 1/4 x 16 13/16"	
Габарыты - З ножкамі (В x Ш x Г)		52,8 x 438 x 427 мм 2 1/16 x 17 1/4 x 16 13/16"	97,2 x 438 x 427 мм 3 13/16 x 17 1/4 x 16 13/16"	52,8 x 438 x 427 мм 2 1/16 x 17 1/4 x 16 13/16"	97,2 x 438 x 438 мм 3 13/16 x 17 1/4 x 16 13/16"	
Шырыня з кранштэйнамі				482 мм 19"		
Вага		5,29 кг (11lb 10oz)	7,34 кг (16 lb 2 oz)	5,3 кг (11lb 10oz)	7,45 кг (16 lb 6 oz)	9,2 кг (20 lb 4 oz)
IP-сувязь		Н/П	Н/П	TCP/IP (RJ-45 10/100 Base T)		
Энергаспажыванне				100-120 В пры 60 Гц, 220-240 В пры 50 Гц		
Намінальны ток засцерагальніка		5 А (T5AL ~ 250VAC)	10 А (T10AL ~ 250VAC)	5 А (T5AL ~ 250VAC)	10 А (T10AL ~ 250VAC)	15 А (T15AL ~ 250VAC)
Магутнасць у рэжыме чакання				<0,5 Вт (зялёны рэжым)/ <2 Вт		

Кампанія Monitor Audio пакідае за сабой права змяняць тэхнічныя характарыстыкі без апавяшчэння.

# Мазмұны



Кіріспе_____	122	Зорайтқыш қуатын қосу_____	127
Байланыстарға шолу_____	123	Желіге қосылу _____	127
IA150-2_____	123	Веб-порталды пайдаланып «Connect» зорайтқышын конфигурациялау_____	128
IA60-12_____	123	Негізгі параметрлер (Basic Settings)_____	128
IA200-2C_____	124	Кіріс/шығыс параметрлері (Input/ Output Settings)_____	129
IA150-8C_____	124	DSP конфигурациясы (DSP Configuration)_____	130
IA800-2C_____	125	Инфрақызыл қашықтан басқару кодтары_____	132
Байланыс сипаттамалары_____	125	Ақаулықтарды жою_____	132
ЖШД индикаторлары_____	126	Кепілдік_____	132
Динамиктерді қосу_____	126	Пайдаланушы туралы ақпарат_____	132
Көпір арналар_____	126	Техникалық сипаттамалар_____	133
Табандар_____	127		
Зорайтқышты сөреге бекіту_____	127		

## Кіріспе

Көбірек істейтін және азырақ кеңістікті алатын етіп жасалған, кез келген орнату жобасында ең жақсы дыбыс көрсеткіштерін алу үшін заманауи технологиясы бар Monitor Audio орнатылатын зорайтқышын қарсы алыңыз. Көп арналы зорайтқыштарды қуаты 2000 ваттқа дейінгі тұрмыстық және коммерциялық жылжымайтын мүліктерде жағдайлардың кең ауқымында пайдалануға болады. Икемді орнатулар үшін аудио арналарын топтастыруға немесе көпір арқылы байланыстыруға болады, 12 арнаға дейін конфигурациялауға болады.

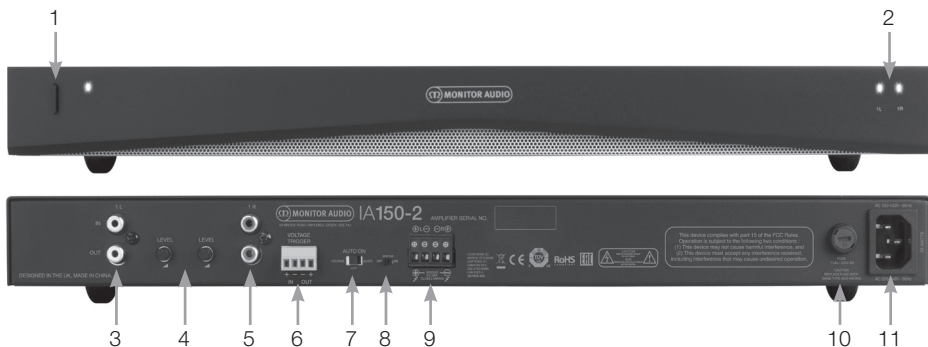
Сіз сөрелердің көпшілігіне сыятын әрі 93% қуатты үнемдеуді қамтамасыз ететін жұқа биіктігі 1U және 2U корпусларға кішірейтілген Monitor Audio жабдығынан күтетін сенімділікті және тамаша дыбыс сапасын қамтамасыз ету үшін біз дүние жүзіне белгілі Нурех зорайтқыштарын таңдадық.

Барлық зорайтқыштарда қарапайым сымды кернеу триггері немесе сигналды сезу арқылы толық қосылу мүмкіндігі бар.

«Connect» зорайтқыштары көбірек икемділікті және біріктіруді ұсынатын күрделірек DSP және IP басқаруын қамтиды.

# Байланыстарға шолу

## IA150-2



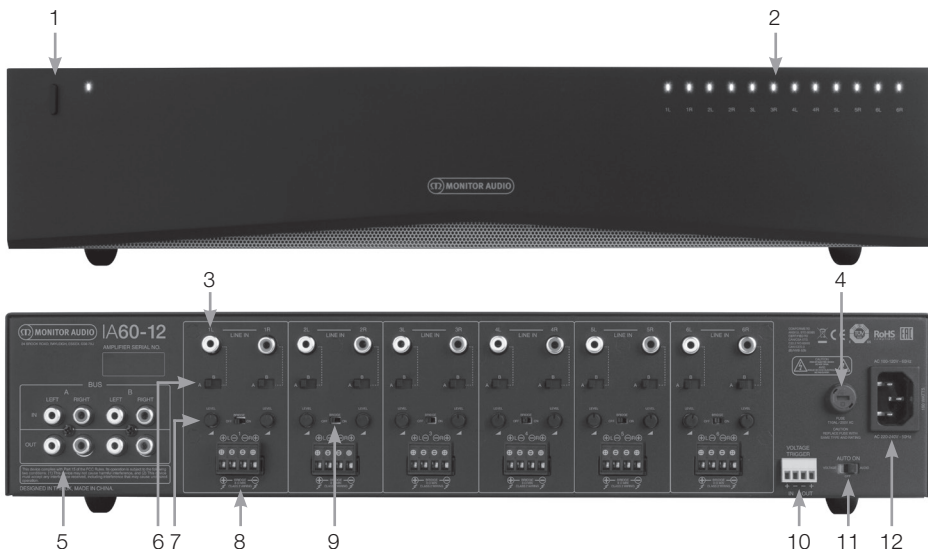
### АЛДЫҒЫ ПАНЕЛЬ

1. Қуат түймесі
2. Арна индикаторы ЖШД

### АРТҚЫ ПАНЕЛЬ

3. Сол жақ арнаның RCA кірісі/шығысы
4. Дыбыс деңгейін басқару тетігі
5. Оң жақ арнаның RCA кірісі/шығысы
6. Триггер кірісі/шығысы
7. Автоматты қосу қосқышы
8. Көпірді қосу/өшіру қосқышы
9. Динамик блогының жалғағышы
10. Айнымалы ток сақтандырғышын ұстағыш
11. Қуат сымын жалғау

## IA60-12



### АЛДЫҒЫ ПАНЕЛЬ

1. Қуат түймесі
2. Арна индикаторы ЖШД

### АРТҚЫ ПАНЕЛЬ

3. Арнаның RCA кірістері
4. Айнымалы ток сақтандырғышын ұстағыш
5. Шиналық RCA кірістері/шығыстары
6. Арна кірісі қосқышы
7. Дыбыс деңгейін басқару тетігі
8. Динамик блогының жалғағышы
9. Көпірді қосу/өшіру қосқышы
10. Триггер кірісі/шығысы
11. Автоматты қосу қосқышы
12. Қуат сымын жалғау

## IA200-2C



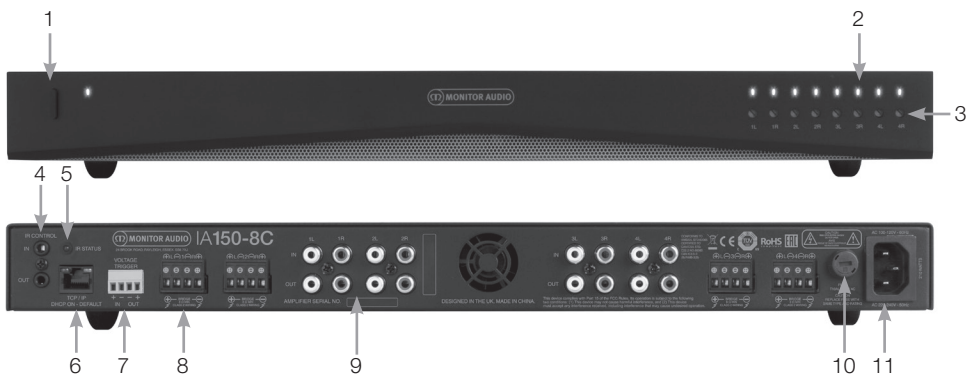
### АЛДЫҒЫ ПАНЕЛЬ

1. Қуат түймесі
2. Арна индикаторы ЖШД
3. Шығыс дыбыс деңгейін басқару

### АРТҚЫ ПАНЕЛЬ

4. ИҚ басқару кірісі және шығысы
5. ИҚ күй ЖШД
6. Арнаның RCA кірістері/шығыстары
7. Кернеу триггерінің кірісі/шығысы
8. Ethernet (RJ-45) байланысы
9. Динамик блогының жалғағышы
10. Айнымалы ток сақтандырғышын ұстағыш
11. Қуат сымын жалғау

## IA150-8C



### АЛДЫҒЫ ПАНЕЛЬ

1. Қуат түймесі
2. Арна индикаторы ЖШД
3. Шығыс дыбыс деңгейін басқару

### АРТҚЫ ПАНЕЛЬ

4. ИҚ басқару кірісі/шығысы
5. ИҚ күй ЖШД
6. Ethernet (RJ-45) байланысы
7. Кернеу триггерінің кірісі/шығысы
8. Динамик блогының жалғағышы
9. Арнаның RCA кірістері/шығыстары
10. Айнымалы ток сақтандырғышын ұстағыш
11. Қуат сымын жалғау

# IA800-2C



## АЛДЫҒЫ ПАНЕЛЬ

1. Қуат түймесі
2. Арна индикаторы ЖШД
3. Шығыс дыбыс деңгейін басқару

## АРТҚЫ ПАНЕЛЬ

4. Динамик блогының жалғағышы
5. Арнаның RCA кірістері/шығыстары
6. Кернеу триггерінің кірісі/шығысы
7. ИҚ басқару кірісі/шығысы
8. ИҚ күй ЖШД
9. Ethernet (RJ-45) байланысы
10. Айнымалы ток сақтандырғышын ұстағыш
11. Қуат сымын жалғау

## Байланыс сипаттамалары

### Айнымалы ток сақтандырғышын ұстағыш

Бұл бөлімде зорайтқыштың ішкі сақтандырғышы орналасқан. Сақтандырғышты ауыстыру қажет бола қалса, бұл бөлімді бұрауыш сияқты жалпақ басты затты салу және сағат тіліне қарсы бұру арқылы ашуға болады. Сақтандырғышты дұрыс техникалық сипаттамасын өнімде сақтандырғыш ұстағышының астында басылған ақпараттан қараңыз.

### Қуат түймесі

Бұл — зорайтқыштың негізгі қуат қосқышы. Ұзақ уақыт бойы пайдаланылмайтын болса, зорайтқышты өшіріп қоюды ұмытпаңыз.

### Шығыс дыбыс деңгейін басқару

#### Тек «Connect» үлгілері.

Шығыстың дыбыс деңгейін арттыру немесе азайту үшін жалпақ бұрауышты пайдаланыңыз. Бұл веб-порталдағы «Шығыс дыбыс деңгейі» параметріне байланыстырылады. 130-бетті қараңыз. Клиппинг/бұрмалану (алдағы арна ЖШД көрсететіндей) бар болса сағат тіліне қарсы немесе көбірек дыбыс деңгейі үшін сағат тілімен бұрыңыз.

### Арнаның RCA кірістері

Аудио көздерін қосуға арналған сол және оң RCA кірістері. IA60-12 сияқты арналар саны көбірек үлгілерде қолжетімді шығыс арналарының саны үшін көбірек кірістер болады.

### Арна RCA шығыстары

Белсенді сабвуферлер немесе қосымша зорайтқыштар сияқты сыртқы ойнату құрылғыларына қосуға арналған сол және оң стерео RCA жалғағыштары.

### Дыбыс деңгейін басқару тетігі

#### Тек IA150-2 және IA60-12.

Шығыс дыбыс деңгейін арттыру немесе азайту үшін пайдаланылады. Динамиктерде клиппинг болса, азайтыңыз, шығыс дыбыс деңгейі тым төмен болса, арттырыңыз.

### Ethernet (RJ-45) байланысы

#### Тек «Connect» үлгілері.

Сымды желімен байланыс орнату үшін пайдаланылады. Қосылғаннан кейін зорайтқыш желіде басқа құрылғыларға көрінеді. «Connect» зорайтқышын реттеу туралы ақпаратты 128-беттен қараңыз.

### Кернеу триггерінің кірісі және шығысы

Триггер байланысын екінші құрылғының кірісімен/шығысымен орнатуға болады. Кірісті пайдаланғанда, зорайтқыш қосылған құрылғымен бірге қосылады және өшеді. Зорайтқыштың шығысына қосылған құрылғы зорайтқышпен бірге қосылады және өшеді.

## Автоматты қосу қосқышы

### Тек IA150-2 және IA60-12.

Үш параметр бар: «Кернеу», «Аудио» және «Өшірулі». «Кернеу» параметрінде зорайтқышты күту режимінен ояту үшін «Триггер» әдісі пайдаланылады. «Аудио» параметрінде зорайтқыш аудио сигнал бар кезде күту режимінен оянады. Ол 15 минут бойы сигнал болмағанда күту режиміне оралады. «Өшірулі» параметрінде зорайтқышты тек қолмен қосуға және өшіруге болады.

## Көпір қосқышы

### Тек IA150-2 және IA60-12.

Көпір режимін қосу немесе өшіру, бұл белсендірілген болса, екі шығыс көбірек шығыс қуатты жасау үшін біріктіріледі.

## Шиналық RCA кірістері

### Тек IA60-12.

Аудио көздерін қосуға арналған сол және оң стерео RCA кірістері. Арна RCA жалғағыштарынан ерекшелігі, шиналық RCA кірістерін бірнеше шығыс арнасына бағыттауға болады.

## Шиналық RCA шығыстары

### Тек IA60-12.

Сол және оң стерео RCA шығыстары. Мұны шиналық кіріс сигналын сыртқы құрылғыларға/қосымша зорайтқыштарға ретті қосу керек болса пайдалануға болады.

## Шиналар ауыстырып-қосқышы

### Тек IA60-12.

Зорайтқыштағы арна үшін аудио көзінің кірісін таңдаңыз.

## Динамик блогының жалғағышы

Динамиктерді қосу үшін 132 өлшеміне дейінгі кабельді қабылдайды, осы беттің келесі бағанын қараңыз.

## IR кірісі

Зорайтқышты бағдарламаланатын қашықтан басқару құралдарын пайдаланып басқару үшін инфрақызыл қабылдағышты осы кіріске қосыңыз. Жасырын пәрмендерді/он алтылық кодтарды 12-бетте қараңыз.

## IR шығысы

Инфрақызыл репитермен бірге пайдалануға немесе басқа зорайтқыштардағы IR кірісіне байланыстыруға арналған, бұл бірнеше құрылғыға бір қашықтан басқару құралынан бірдей пәрменді алуға мүмкіндік береді. Мысалы, бір қуатты қосу/өшіру пәрменін орнатылатын зорайтқыштарға жеке-жеке емес, бүкіл сереге пайдалануға болады.

## ЖШД индикаторлары

### Қуат ЖШД (сарғылт ЖШД):

ЖШД күңгірт сарғылт - күту режимі  
ЖШД ашық сарғылт - қуат қосулы  
Жыпылықтайтын ашық сарғылт ЖШД - идентификация режимі немесе жаңартылуда

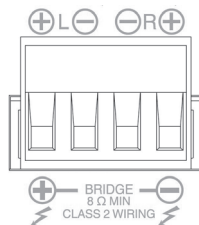
### Арна ЖШД (сарғылт/ақ қос ЖШД):

ЖШД өшірулі - сигнал жоқ  
Сарғылт ЖШД - сигнал бар  
Ақ ЖШД - арнада клиппинг болып жатыр немесе зорайтқыш қорғау режиміне өтті  
Жыпылықтайтын ақ ЖШД - термалдық қорғау

Клиппинг болып жатса немесе термалдық қорғағыш ЖШД үлгілерді көрсетсе, дыбыс деңгейін азайтыңыз. Мәселе шешілмесе, 132-беттегі ақаулықтарды жою туралы бөлімді қараңыз.

## Динамиктерді қосу

Барлық зорайтқыштарда динамиктерге қорғалған және қауіпсіз байланыс үшін динамик блогының жалғағыштары болады, бұл блоктарды оңай қол жеткізу үшін алуға болады. Жалпақ бұрауышты пайдаланып динамик блогының үстіндегі бұранда бастарын босатыңыз және 12 өлшеміне дейінгі динамик кабелін алдыңғы саңылауларға кіргізіңіз. Динамик кабелін орнында бекіту үшін бұранда бастарын тартыңыз.

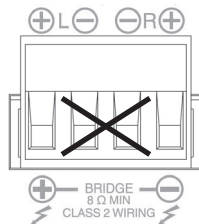


## Көпір арналар



**ЕСКЕРТУ: Көпір бар жұмыс кезіндегі динамиктің минималды кедергісі — 8 Ом. Көпір режимінде 8 Ом номиналды кедергісінен азырақ динамиктерді қоспаңыз.**

1. Аймақтың КӨПІР қосқышын ҚОСУЛЫ күйіне орнатыңыз, «Байланыстарға шолу» бөлімін қараңыз.
2. Динамиктің «+» сымын «+» деп белгіленген сол жақ арна жалғағышына және динамиктің «-» сымын «-» деп белгіленген оң жақ арна жалғағышына қосыңыз. «-» шығыстары пайдаланылмайды.



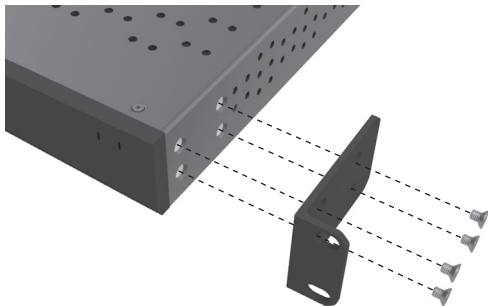


## Табандар

Әрбір зорайтқыш үлгісінде сөреден шығарып пайдаланатын жағдай үшін төрт резеңке табан қамтамасыз етіледі. Жалғау үшін бар болғаны табандарды зорайтқыштың негізіндегі төрт ирек оймалы кірістірмеге бұраңыз.

## Зорайтқышты сөреге бекіту

Әрбір зорайтқыш үлгісінде зорайтқышты стандартты 19 дюймдік сөрелерге бекітуге арналған сөре кронштейні бекіткіштері қамтамасыз етіледі. Кронштейндерді орнату үшін бар болғаны алдыңғы жақта зорайтқыштың әрбір жағындағы 4 бұранданы алып тастаңыз. Кронштейндерді ашылған тесіктердің үстіне қойыңыз және кронштейндерді бекіту үшін сол бұрандаларды пайдаланыңыз.



## Зорайтқыш қуатын қосу

Барлық үлгілерде IEC желілік кабелі қамтамасыз етіледі. Зорайтқыштың желілік кабелін басында розеткаға қосып, қуат қосқышын қосқан сайын барлық арна шығыстары шамамен 12 секундқа ажыратылады және зорайтқыш қосылып жатқанда барлық арна индикаторы ЖШД-тары қысқа уақытқа жанады.



**ЕСКЕРТПЕ: Бүкіл жүйелік байланыстарды орнатқанша розеткада қуатты қоспаңыз.**

## Желіге қосылу



**ЕСКЕРТПЕ: Бұл бөлім тек «Connect» үлгілеріне қатысты.**

1. Ethernet кабелін пайдаланып зорайтқышты желілік коммутаторға қосыңыз. Компьютер және зорайтқыш бірдей желіде екенін тексеріңіз.
2. Зорайтқышты қосыңыз.
3. Желілік коммутатор зорайтқышқа IP мекенжайын береді.
4. Келесі бетте тегін жүктеп алуға қолжетімді «Advanced IP Scanner» (тек Windows) сияқты IP мекенжайын табу қолданбасын іске қосыңыз:
5. <https://www.advanced-ip-scanner.com>
6. «Advanced IP Scanner» (немесе таңдаулы қолданбаны) іске қосыңыз және үстіндегі іздеу жолағына желілердің IP ауқымын (маршрутизатор басқарады) енгізіңіз. Іздеу үшін «Сканерлеу» (Scan) түймесін басыңыз.
7. Тізімдегі зорайтқыштың IP мекенжайында екі рет басқанда зорайтқышты интернетте реттеу бетіне апаратын ашылмалы параметрі болады.

Я болмаса, бүкіл желілік IP мекенжайларына «Маршрутизатор конфигурациясы» бетінде қатынасуға болады.

Белгілі болғаннан кейін зорайтқыштың IP мекенжайын веб-портал арқылы қатынасты ашу үшін таңдаған веб-браузерге енгізуге болады.

# Веб-порталды пайдаланып «Connect» зорайтқышын конфигурациялау

## Негізгі параметрлер (Basic Settings)

Мұнда өңдеу және сақтауға болатын ең негізгі жалпы зорайтқыш параметрлері берілген. Келесі бөлім сізді осы қойындыдағы функциялардың әрқайсысы арқылы өткізеді.



**ЕСКЕРТПЕ: Веб-порталда енгізілген кейбір өзгертулер бетті қолмен жаңартқанша немесе басқа беттердің біреуіне өткенше көрінбейді.**

The screenshot shows the web interface for the Connect device. At the top, there are three tabs: 'MONITOR AUDIO', 'Basic Settings', 'Input/Output Settings', and 'DSP Configuration'. The 'Basic Settings' tab is active. It contains several sections:

- Information:** Fields for Device Name, Device Model (IA200-2C), Customer Name, Dealer Name, Installer Name, Installation Date, Firmware Version (V1.30), and Serial Number (7301281711).
- Network:** DHCP (On), IP Address (192.168.68.35), and IP Subnet Mask (255.255.255.0).
- Identification Mode:** Flash Power Switch (Off).
- Print:** Print - All Settings (Print button).
- Power On Method:** Power On Method (Power Button), Delay (0 Seconds).
- Load Global Preset:** Active Global Preset (Global Preset1), Select Global Preset (Global Preset1), Edit Preset Name (Global Preset1), and buttons for Reset and Load.
- Import/Export Global Preset:** All Presets (Import, Export), Single Preset (Global Preset1, Import, Export).
- Duplicate Global Preset:** From (Global Preset1), To (Global Preset1), and a Duplicate button.
- Reset:** Factory Reset (Reset button).
- Update:** Firmware Update (Update button).

### Ақпарат (Information)

Мұнда зорайтқыштың атауын қосуға және болашақта анықтама алу үшін орнату туралы мәліметтерді енгізуге болады. Мұнда зорайтқыштың үлгісі, микробағдарлама нұсқасы және сериялық нөмірі көрсетіледі, бұларды өңдеу мүмкін емес.

### Желі (Network)

**IP мекенжайы (IP Address)** – DHCP ҚОСУЛЫ (ON) кезде қазіргі уақытта пайдаланылып жатқан IP мекенжайын көрсетеді. DHCP параметрі ӨШІРУЛІ (OFF) күйіне

орнатылған болса, бұл сізге қалаған статикалық IP мекенжайын енгізуге мүмкіндік береді.

**IP ішкі желі маскасы (IP Subnet Mask)** – DHCP қосулы (ON) кезде қазіргі уақытта пайдаланылып жатқан IP ішкі желі маскасын көрсетеді. DHCP параметрі ӨШІРУЛІ (OFF) күйіне орнатылған болса, бұл сізге қалаған IP ішкі желі маскасын енгізуге мүмкіндік береді.



**ЕСКЕРТПЕ: IP мекенжайын немесе ішкі желі маскасын өзгертіп жатсаңыз, зорайтқыштың веб-порталын қайтадан көру үшін, веб-браузерге жаңа IP мекенжайын енгізу керек болады.**

### Идентификация режимі (Identification Mode)

Бұл параметр қосылған болса, алдыңғы куат ЖШД жыпылықтай бастайды. Бұл бірнеше зорайтқышты пайдаланып жатқанда, қай зорайтқыш конфигурацияланып жатқанын анықтау үшін пайдалы.

### Басып шығару (Print)

Зорайтқыштың ағымдағы параметрлерінің барлығы бар басылатын бетті ашу үшін осыны басыңыз.

### Қуатты қосу (Power ON)

Мұнда қондырғыңызға ең қолайлы қуатты қосу әдістерінің қатарынан (төменде сипатталған) таңдауға болады. Сондай-ақ қуатты қосу кешігін 0-20 секунд аралығында орнатуға болады, бұл зорайтқыштар қатары белгілі бір реттілікпен қосылуы керек болса пайдалы болады.

**Қуат түймесі (Power Button)** – Сигналды сезуді және кернеу триггерін анықтауды өшіру. Қуат күйін тек құрылғыдағы қуат түймесі басқарады.

**Аудио (Audio)** – Бұл режим зорайтқышты қосу үшін сигналды сезуді пайдаланады. Бұған қоса, желі арқылы байланыс әлі де мүмкін. Бұл режимде зорайтқыш күту режимінде 2 Вт-қа дейін тұтынады.

**Кернеу триггері (Voltage Trigger)** – Зорайтқышты 12 В кернеу триггерімен қосыңыз.

**Аудио жасыл (Audio Green)** – Бұл режим зорайтқышты қосу үшін сигналды сезуді пайдаланады. Ол 15 минут бойы сигнал болмағанда күту режиміне оралады. Күту режимінде желілік байланыс өшіріледі. Зорайтқышпен байланысу үшін оны күту режимінен ояту керек. Бұл режимде зорайтқыш күту режимінде 0,5 Вт-қа дейін тұтынады.

**Кернеу жасыл (Voltage Green)** – Бұл режим зорайтқышты қосу үшін кернеу триггерін пайдаланады. Күту режимінде желілік байланыс өшіріледі. Зорайтқышпен байланысу үшін оны күту режимінен ояту керек. ЕСКЕРТПЕ: Бұл режимде зорайтқыш күту режимінде 0,5 Вт-қа дейін тұтынады.

### Сақтау және қалпына келтіру (Save & Restore)

Мұнда барлық параметрлерді файлға сақтап, содан кейін бұл файлды қажет болса, параметрлерді қалпына келтіру үшін пайдалануға болады.

Глобалдық алдын ала орнатылған параметрлерді жүктеу (Load Global Preset) **Белсенді глобалдық алдын ала орнатылған параметр (Active Global Preset)** – Ағымдағы белсенді глобалдық алдын ала орнатылған параметрді көрсетеді (бұл қазіргі уақытта белсенді глобалдық алдын ала орнатылған параметрдің атауын көрсетеді) – қалпына келтіру түймешігі ағымдағы белсенді алдын ала орнатылған параметрді әдепкі параметрлерге ысырады.

Қуат режимі	Қуту режиміндегі қуат	Қуту режиміндегі желілік байланыс
Қуат түймесі	T/E	T/E
Аудио	2 Вт	Иә
Кернеу триггері	2 Вт	Иә
Аудио жасыл	0,5 Вт	Жоқ
Кернеу жасыл	0,5 Вт	Жоқ

**Глобалдық алдын ала орнатылған параметрді таңдау (Select Global Preset)** – Ашылмалы мәзірден өңдегіңіз және іске асырғыңыз келетін алдын ала орнатылған параметрді таңдайды.

Ашылмалы мәзір жанындағы жүктеу түймешігі таңдалған алдын ала орнатылған параметрді белсендіреді және қалқымалы сұрауда растаудан кейін зорайтқышты қайта іске қосады. Веб-бет жаңартылғанда белсенді глобалдық алдын ала орнатылған параметр өзгереді.

**Алдын ала орнатылған параметр атауын өңдеу (Edit Preset name)** – Ашылмалы мәзірден қазіргі уақытта таңдалған алдын ала орнатылған параметрдің атауын өңдейтін мәтіндік өріс.

Глобалдық алдын ала орнатылған параметрді импорттау/экспорттау (Import/ Export Global Preset)

**Барлық алдын ала орнатылған параметрлер (All Presets)** – Барлық глобалдық алдын ала орнатылған параметрлерді файлға импорттау/файлдан экспорттау.

**Бір алдын ала орнатылған параметр (Single Preset)** – Бір глобалдық алдын ала орнатылған параметрді файлға импорттау/файлдан экспорттау.

Глобалдық алдын ала орнатылған параметрді көшірмеу (Duplicate Global Preset)

«X» глобалдық алдын ала орнатылған параметрін «Y» глобалдық алдын ала орнатылған параметріне көшіріңіз. Ашылмалы мәзірлерден олардың екеуін де таңдауға болады.

Қалпына келтіру (Reset)

**Зауыттық параметрлерді қалпына келтіру (Factory Reset)** – Қалпына келтіру түймешігі барлық параметрлерді және барлық алдын ала орнатылған параметрлерді (глобалдық және DSP) бастапқы зауыттық параметрлеріне қалпына келтіреді. Басқанда зорайтқыштағы қуат ЖШД жыпылықтап, содан кейін қайта іске қосу орындалады.

Жаңарту (Update)

**Микробағдарламаны жаңарту (Firmware Update)** – Бұл түйме пайдаланушы таңдаған микробағдарламаны (.bin файлы) орнатады. Жаңарту сәтті болса, веб-порталда хабарландыру көрінеді. Содан кейін зорайтқышты қайта іске қосу және «Негізгі параметр» (Basic Settings) бетіне оралу үшін нұсқауларды орындаңыз. Соңғы микробағдарламаны веб-сайтымыздан жүктеп алуға болады: [monitoraudio.com](http://monitoraudio.com)

**ЕСКЕРТПЕ: Микробағдарламаны әр орнату жұмысы сайын тексерген жөн. Соңғы микробағдарламаны веб-сайтымыздан табуға болады: [monitoraudio.com](http://monitoraudio.com)**

## Кіріс/шығыс параметрлері (Input/ Output Settings)

Мұнда әрбір кірістің таңдалған шығысқа бағытталуын конфигурациялауға болады. Сондай-ақ жеке қию деңгейі, режим, күшенудің ауытқуы және дыбыс деңгейі параметрлерін орнатуға болады. Сондай-ақ мұнда 70 В желі (тек IA800-2C) немесе көпір сияқты зорайтқыш режимдерін белсендіруге болады.



**ЕСКЕРТПЕ: Веб-порталда енгізілген кейбір өзгертулер бетті қолмен жаңартқанша немесе басқа беттердің біреуіне өткенше көрінбейді.**

Кірісті реттеу (Input Setup)

Мұнда ол қолжетімді кіріс арналарының барлығын көрсетеді. Әрбір кіріс атауын теңшеуге болады және әрбір арнаны +/- 6 дБ аралығында реттеуге болады. Қию деңгейі — зорайту алдындағы кіріс деңгейі.

Шығысты реттеу (Output Setup)

**Арна (Channel)** – Өңдейтін шығыс арнаны таңдаңыз. Ашылмалы мәзірден арнаны таңдағаннан кейін екінші ашылмалы мәзірде бұл арнаның баламалы арналары да көрсетіледі. (Яғни, сол жақ ашылмалы мәзірде 1 СОЛ ЖАҚ (1 LEFT) таңдалған болса, оң жақ ашылмалы мәзірде 1 ОҢ ЖАҚ (1 RIGHT) та көрінеді).

**Шығыс атауы (Output Name)** – Арнаның шығыс атауы үшін мәтіндік кіріс.

**Стерео/моно (Stereo/ Mono)** – Әрбір арна үшін стерео/ моно режимін таңдау. «Моно» (Mono) режимі таңдалса, сол және оң кіріс арналар таңдалған шығыстарда моноға біріктіріледі.

**DSP алдын ала орнатылған параметрі (DSP Preset)**

– Шығыс арнаға қолданылатын сақталған DSP алдын ала орнатылған параметрді таңдайды. Мұны әр арнадан жеке-жеке таңдауға болады, екі стерео жұбы арасында ешқашан байланыстырылмайды.

**Бақылау аймағы (Control Zone)** – A, B, C, D таңдау... (Топтардың саны = шығыс арналардың саны). Бұл бірдей Бақылау аймағы (Control Zone) таңдалған арналарда Шығыс дыбыс деңгейі (Output Volume), Дыбысты қосу (Turn On Volume) және Дыбысты өшіру (Mute) параметрлерін топтайды. Бірнеше арнаны бір аймақ түрінде басқаруға арналған.

**Зорайтқыш режимі (Amp Mode)** – Stereo және көпір режимдері арасында таңдау. Сондай-ақ IA800-2C үлгісінде 70 В режимін таңдау үшін пайдаланылады.

**Шығыс дыбыс деңгейі (Output Volume)**

**Арна (Channel)** – Өңдейтін шығыс арнаны таңдаңыз. Ашылмалы мәзірден арнаны таңдағаннан кейін екінші ашылмалы мәзірде бұл арнаның баламалы арналары да көрсетіледі. Келесі параметрлер таңдалған арна шығысын басқарады:

- Шығыс дыбыс деңгейі (Output Volume) — бұл алдағы басқару дискіне байланыстырылады. Алдағы дискіні реттеу веб-бетте мәнді өзгертеді (жаңартқаннан кейін). Веб-бетте реттегенде диск өзгермейді.

- Дыбысты қосу (Turn On Volume)

- Дыбысты өшіру (Mute)

**Бақылау аймағы (Control Zone)** – Бақылау аймағын таңдау. Келесі параметрлер таңдалған аймақ шығысын басқарады:

- Максималды дыбыс деңгейі (Maximum Volume)

- Күшеюдің ауытқуы (Gain Offset)

**Шығыс көзі (Output Source)**

**Арна (Channel)** – Бағыттауды өңдеу үшін шығыс арнаны таңдаңыз. Ашылмалы мәзірден арнаны таңдағаннан кейін екінші ашылмалы мәзірде бұл арнаның баламалы арналары да көрсетіледі.

**1-көз (Source 1)** – Таңдалған арнаға бағыттау үшін негізгі кіріс көзін таңдаңыз.

Негізгі көз әрқашан стереоға байланыстырылған болады, сондықтан, мысалы, сол жақ арна үшін 1L таңдалған болса, оң жақ арна үшін 1R автоматты түрде таңдалады

**2-көз (Source 2)** – Таңдалған арнаға бағыттау үшін қосымша кіріс көзін таңдаңыз.

Қосымша көзді жеке таңдауға болады және оның стереоға байланыстырылған болуы керек емес.

**Көзді таңдау (Source Select)** – 1-ші басым көз Priority Source 2, Тек 1-ші көз (Source 1 Only) немесе АРАЛАС (MIX) арасынан таңдаңыз.

Мұны істесеңіз, таңдалған шығыс арнаға 1-көз (Source 1), 2-көз (Source 2) немесе АРАЛАС (MIX) (1-ші және 2-ші көз) бағытталады. Әдепкі: 1-көз (Source 1).

## DSP конфигурациясы (DSP Configuration)

DSP конфигурациясы қойындысында 10 диапазондық параметрлер эквалайзерін пайдаланып дыбысқа түпкілікті реттеулерді жасауға болады, содан кейін бұларды экспорттауға және импорттауға болатын алдын ала орнатылған параметрлер ретінде сақтауға болады.



**ЕСКЕРТПЕ: Веб-порталда енгізілген кейбір өзгертулер бетті қолмен жаңартқанша немесе басқа беттердің біреуіне өткенше көрінбейді.**

The screenshot shows the DSP Configuration web interface. At the top, there are navigation tabs: "MONITOR AUDIO", "Basic Settings", "Input/Output Settings", and "DSP Configuration".

- Allocate Preset:** Controls for Output Channel (1 LEFT, 1 RIGHT), Output Name (Output 1L, Output 1R), and DSP Preset (Preset OFF).
- Test Signal:** Controls for Stimulus (Pink Noise), Volume Level (-20), and On/Off (OFF).
- Import/Export Preset:** Buttons for Import and Export, and a dropdown for Single Preset.
- Duplicate Preset:** Controls for From and To Presets, and a Duplicate button.
- Select DSP Preset:** A dropdown menu for Preset1 and a Reset button.
- EQ Graph:** A frequency response graph with a logarithmic x-axis (20 to 20000 Hz) and a linear y-axis (-18dB to 18dB).
- EQ Parameter:** A table of 10 EQ bands (EQ1-EQ10) with controls for On/Off, Frequency (1000 Hz), Q (1), and Gain (+/- dB).
- Tilt Control:** Controls for Low Tilt and High Tilt Frequency and Gain.
- Crossover:** Controls for LP Crossover and HP Crossover Frequency and Filter Type.
- Delay:** Input fields for Delay in m Sec, Feet, and Metres.
- Limiter:** A Level control set to OFF.

Алдын ала орнатылған параметрді тағайындау (Allocate Preset)

**Шығыс арна (Output Channel)** – Өңдейтін арнаны таңдаңыз және шығыс DSP алдын ала орнатылған параметрін таңдаңыз. Ашылмалы мәзірден арнаны таңдағаннан кейін екінші ашылмалы мәзірде қарама-қарсы ретінде бұл арнаның серіктес арнасы да көрсетіледі.

**Шығыс атауы (Output Name)** – Арнаның атауы үшін мәтіндік кіріс. Осында өзгертілсе, ол кіріс/шығыс параметрлері бетінде де өзгереді.

**DSP алдын ала орнатылған параметрі (DSP Preset)** – Шығыс арнаға қолданылатын сақталған DSP алдын ала орнатылған параметрді таңдайды. Мұны әр арнадан жеке-жеке таңдауға болады, екі стерео жұбы арасында ешқашан байланыстырылмайды.

Сынақ сигнал

**Шығыс арна (Output Channel)** – Сынақ сигналды бағыттау үшін шығыс арнаны таңдаңыз. Ашылмалы мәзірден арнаны таңдағаннан кейін екінші ашылмалы мәзірде бұл арнаның баламалы арналары да көрсетіледі.

**Стимул (Stimulus)** – Таңдалған шығысқа уақытша бағыттау үшін «Қызғылт шу» параметрін немесе кез келген кіріс арнаны таңдаңыз.

**Дыбыс деңгейі (Volume Level)** – Таңдалған арнаның стимулының дБ түріндегі дыбыс деңгейі.

**Қосу/Өшіру (On/ Off)** – Таңдалған стимулды қосу немесе өшіру. «DSP конфигурациясы» бетінен шыққанда әдепкі бойынша өшірулі күйіне орнатылады.

Алдын ала орнатылған параметрді импорттау/экспорттау (Import/ Export Preset)  
**Барлық алдын ала орнатылған параметрлер (All Presets)** – Барлық DSP алдын ала орнатылған параметрлерді файлға импорттау/файлдан экспорттау.

**Бір алдын ала орнатылған параметр (Single Preset)** – Қазіргі уақытта таңдалған DSP алдын ала орнатылған параметрін файлға импорттау/файлдан экспорттау.

Алдын ала орнатылған параметрді көшірмеу (Duplicate Preset)  
«X» DSP алдын ала орнатылған параметрін «Y» DSP алдын ала орнатылған параметріне көшіріңіз. Ашылмалы мәзірлерден олардың екеуін де таңдауға болады.

DSP алдын ала орнатылған параметрін таңдау/атын өзгерту (Select/ Rename DSP Preset)

**DSP алдын ала орнатылған параметрін таңдау (Select DSP Preset)** – Таңдалған алдын ала орнатылған параметр төмендегі параметрлерде эквалайзер параметрлеріне енгізілген кез келген өзгертулерді автоматты түрде сақтайды.

**Алдын ала орнатылған параметрдің атауын өңдеу (Edit Preset Name)** – Алдын ала орнатылған параметрді теңшелетін атауға өзгертетін мәтін енгізу өрісі.

**Қалпына келтіру (Reset)** – Қазіргі уақытта таңдалған барлық атауларды және параметрлерді әдепкі мәндеріне қалпына келтіреді.

Эквалайзер графигі (EQ Graph)

Эквалайзер параметрлерінің қысқасөз сызығын көрсетеді.

Эквалайзер параметрі (EQ Parameter)

Параметрлік эквалайзердің 10 диапазоны, әрқайсысының келесі конфигурациялауға болатын параметрлері бар:

**Эквалайзерді қосу/өшіру (EQ – On/ Off)** – Қолданылған параметр өзгерістерін белсендіру үшін жиіліктер диапазонын қосу үшін пайдаланылады.

**Эквалайзер жиілігі (EQ Frequency)** – Бұл — жиіліктер диапазонындағы өзгертулер қолданылатын орталық нүкте.

**Эквалайзер – Q (EQ – Q)** – Q коэффициенті эквалайзер күшейтетін диапазонды басқарады (0,3-24 арасындағы сандар ауқымы). Q коэффициенті неғұрлым төменірек болса, диапазон соғұрлым кеңірек болады (және орталық нүктенің екі жағындағы соғұрлым көбірек жиіліктерге әсер етіледі). Q коэффициенті неғұрлым жоғарырақ болса, диапазон соғұрлым ендіреу болады (және азырақ жиіліктерге әсер етіледі).

**Эквалайзер – Күшею +/- дБ (EQ – Gain +/- dB)** – Таңдалған жиіліктегі күшеюдің/дыбыс деңгейінің артуы немесе төмендеуі.

Еңкейтуді басқару (Tilt Control)

Мұнда күшеюдің өзгеруін орнатылған жиіліктен төмен немесе жоғары тұрақты мәнге орнатуға болады. Келесі конфигурациялауға болатын параметрлерді пайдаланып төмен немесе жоғары жиіліктерге еңкейту эквалайзер сүзгісін қолданыңыз:

**Еңкейтуді қосу/өшіру (Tilt On/ Off)** – Қолданылған параметр өзгерістерін белсендіру үшін жоғары немесе төмен еңкейту эквалайзер сүзгісін қосу үшін пайдаланылады.

**Жиілік (Frequency)** – Еңкейту сүзгісін реттеудің жиілігінің бастапқы нүктесі.

**Күшею (Gain)** – Күшеюдің/дыбыс деңгейінің артуы немесе төмендеуі.

Қиылысу (Crossover)

Мұнда Жоғары жиіліктер (High Pass) (HP) немесе Төмен жиіліктер (Low Pass) (LP) қиылысу сүзгілерін қолдануға болады. Бұл пассивті сабуферлерді пайдаланғанда (LP сүзгісі пайдаланылады) немесе төмен жиіліктерді өңдей алмайтын шағын ретрансляторларды пайдаланғанда (HP сүзгісі) пайдалы. Төмен жиіліктер (Low Pass) және жоғары жиіліктер (High Pass) сүзгілерін келесі конфигурациялауға болатын параметрлерді пайдаланып орнатыңыз:

**Қиылысуды қосу/өшіру (Crossover On/ Off)** – Қолданылған параметр өзгерістерін белсендіру үшін жоғары немесе төмен жиіліктер сүзгісін қосу үшін пайдаланылады.

**Шекті жиілік (Cut off Frequency)** – Әрбір HP және LP қиылысу сүзгісінің -6 дБ нүктесін орнатыңыз.

**Сүзгі түрі (Filter Type)** – Әрбір HP және LP қиылысу сүзгісі үшін 6, 12, 18, 24 дБ арасынан таңдауға болады. Бұл сан неғұрлым

үлкенірек болса, еңкеюдің шекті бұрышы соғұрлым көбірек тік болады.

## Кідіріс (Delay)

Кідірісті миллисекундтар, футтар немесе метрлер түрінде таңдайтын мәтін енгізу өрістері.

Бір бірлік үшін сан енгізілгенде екі басқа бірлік автоматты түрде есептеледі.

## Шектегіш (Limiter)

**Деңгей (Level)** – Шектегіштің деңгейін Өшірулі (Off), -3 дБ (-3dB), -6 дБ (-6dB), -9 дБ (-9dB) арасынан таңдауға болады. Бұл сигнал деңгейін орнатылған шектен жоғары болмайтындай шектеуге арналған. Бұл осы нүктеден жоғары кез келген қосымша күшеюді болдырмайды және динамиктердің ықтимал зақымдалуын болдырмайды.

## Инфрақызыл қашықтан басқару кодтары

### Тек «Connect» үлгілері.

«Connect» зорайтқыштарында әмбебап қашықтан басқару құралдарымен бірге пайдалануға болатын ИҚ кірісі және шығысы бар. Зорайтқыштардың пәрмендері стандартты NEC протоколын пайдаланады және бұл протоколды мына сайттан жүктеп алуға болады: [monitoraudio.com](http://monitoraudio.com)

## Ақаулықтарды жою

Ақау ЖШД индикаторлары:

### Ақ ЖШД - арнада клиппинг болып жатыр/қорғау режимінде

Кіріс сигнал тым жоғары болса, арнаның ЖШД тұрақты ақ түспен жанады. Бұл орын алса, зорайтқышта қию деңгейін азайтыңыз немесе аудио көзінің дыбыс деңгейін азайтыңыз.

### Жыпылықтайтын ақ ЖШД - термалдық қорғау

Бұл орын алса, қайтадан қосу алдында зорайтқышты өшіру және бөлме температурасына дейін сууға қалдыру ұсынылады.

Басқа ақаулар:

### Қуат жоқ

Зорайтқышқа қуат беріліп тұрмаса, аша ішіндегі сақтандырғышты (тиісті болса) және зорайтқыштың ішкі сақтандырғышын тексеріңіз. 123-беттегі «Байланыстарға шолу» бөлімін қараңыз.

### Дыбыс жоқ

Барлық байланыстар мен кабельдерді тексеріңіз, зорайтқыштың үлгісі «Connect» болса, арналар дұрыс бағытталғанына және дыбысы өшірілмегеніне көз жеткізіңіз.

Зорайтқыш көпір режимінде конфигурацияланған болса, коммутатор/параметрлер және сымдар дұрыс конфигурацияланғанына көз жеткізіңіз.

Егер ол сонда да сигнал шығармай жатса немесе ақау режимі әлі бар болса, жергілікті дилерге/дистрибьюторға немесе Monitor Audio компаниясына бірден хабарласыңыз.

## Кепілдік

Егер бұйым тұтынушы тауарларын сату келісімшарты бойынша Monitor Audio компаниясының өкілетті сатушысы арқылы жеткізілген болса, бұйымды сатып алған күннен бастап **бес** жыл бойы осы құрылғыда жасалу сапасы және өнімділігі бойынша өндірістік ақаулар орын алмайтынына кепілдік беріледі («Маңызды қауіпсіздік нұсқаулары» кітапшасындағы шарттарды қараңыз).

Қажет болған жағдайда кепілдік туралы мәліметтерді біздің тұтынушы дерекқорында табуға көмектесу үшін өнім(дер) іңізді мына сайтта тіркеңіз: [monitoraudio.com](http://monitoraudio.com).

## Пайдаланушы туралы ақпарат

### Өнім туралы мәліметтер

Үлгі: \_\_\_\_\_

Өнімнің сериялық нөмірі: \_\_\_\_\_

Сатып алу күні: \_\_\_\_\_

### Дилер туралы мәліметтер

Дилердің аты: \_\_\_\_\_

Мекенжайы: \_\_\_\_\_

Пошталық индекс: \_\_\_\_\_

Электрондық пошта мекенжайы: \_\_\_\_\_

# Техникалық сипаттамалар

Үлгі:	IA150-2	IA60-12	IA200-2C	IA150-8C	IA800-2C	
<b>Connect' IP басқару</b>	T/E	T/E	Иә	Иә	Иә	
<b>Арна нөмірі</b>	2 (бір стерео жұбы)	12 (6 стерео жұбы)	2 (бір стерео жұбы)	8 (4 стерео жұбы)	2 (бір стерео жұбы)	
<b>Қуат (Ватт/арна)</b>	4 Ом	150 Вт	60 Вт	200 Вт	150 Вт	800 Вт
	8 Ом	100 Вт	45 Вт	150 Вт	140 Вт	500 Вт
	Көпір (8 Ом)	320 Вт (1CH)	100 Вт (6CH)	470 Вт (1CH)	300 Вт (4CH)	2000 Вт (1CH)
	70 В	T/E	T/E	T/E	T/E	800 Вт (2CH)
<b>Кіріс кедергісі</b>	20 000 Ом					
<b>Шығыс кедергісі (Тізбек RCA)</b>	600 Ом					
<b>Кіріс сезімталдық</b>	100 мВ/1 Вт - 1000 мВ толық қуат	100 мВ/1 Вт - 700 мВ толық қуат	100 мВ/1 Ватт - 1230 мВ толық қуат	100 мВ/1 Ватт - 1140 мВ толық қуат	100 мВ/1 Ватт - 2200 мВ толық қуат	
<b>Максималды кіріс кернеу (RMS)</b>	2,9 В					
<b>Сигнал және бұрмалану (SN:R) арақатынасы</b>	-100 дБ (20 Гц - 20 кГц)					
<b>Жілік сипаттамасы (-3 дБ)</b>	5 Гц - 50 кГц					
<b>Жалпы гармониялық бұрмалану (THD + N@1 кГц)</b>	0,03% @ 1 Вт					
<b>Сөре салмағы</b>	1U	2U	1U		2U	
<b>Өлшемдері - Табандары жоқ (Б x Е x Қ)</b>	42,4 x 438 x 427 мм 1 <sup>11</sup> / <sub>16</sub> x 17 <sup>1</sup> / <sub>4</sub> x 16 <sup>13</sup> / <sub>16</sub> дюйм	86,8 x 438 x 427 мм 3 <sup>7</sup> / <sub>16</sub> x 17 <sup>1</sup> / <sub>4</sub> x 16 <sup>13</sup> / <sub>16</sub> дюйм	42,4 x 438 x 427 мм 1 <sup>11</sup> / <sub>16</sub> x 17 <sup>1</sup> / <sub>4</sub> x 16 <sup>13</sup> / <sub>16</sub> дюйм		86,8 x 438 x 438 мм 3 <sup>7</sup> / <sub>16</sub> x 17 <sup>1</sup> / <sub>4</sub> x 16 <sup>13</sup> / <sub>16</sub> дюйм	
<b>Өлшемдері - Табандары бар (Б x Е x Қ)</b>	52,8 x 438 x 427 мм 2 <sup>1</sup> / <sub>16</sub> x 17 <sup>1</sup> / <sub>4</sub> x 16 <sup>13</sup> / <sub>16</sub> дюйм	97,2 x 438 x 427 мм 3 <sup>13</sup> / <sub>16</sub> x 17 <sup>1</sup> / <sub>4</sub> x 16 <sup>13</sup> / <sub>16</sub> дюйм	52,8 x 438 x 427 мм 2 <sup>1</sup> / <sub>16</sub> x 17 <sup>1</sup> / <sub>4</sub> x 16 <sup>13</sup> / <sub>16</sub> дюйм		97,2 x 438 x 438 мм 3 <sup>13</sup> / <sub>16</sub> x 17 <sup>1</sup> / <sub>4</sub> x 16 <sup>13</sup> / <sub>16</sub> дюйм	
<b>Сөре кронштейндерін қосқандағы ені</b>	482 мм 19 дюйм					
<b>Салмағы</b>	5,29 кг (11 фунт 10 унция)	7,34 кг (16 фунт 2 унция)	5,3 кг (11 фунт 10 унция)	7,45 кг (16 фунт 6 унция)	9,2 кг (20 фунт 4 унция)	
<b>IP байланысы</b>	T/E	T/E	TCP/IP (RJ-45 10/100 Base T)			
<b>Желілік жұмыс кернеуі</b>	100-120 В, 60 Гц, 220-240 В, 50 Гц					
<b>Сақтандырғыш көрсеткіші</b>	5 А (T5AL ~ 250 В айнымалы ток)	10 А (T10AL ~ 250 В айнымалы ток)	5 А (T5AL ~ 250 В айнымалы ток)	10 А (T10AL ~ 250 В айнымалы ток)	15 А (T15AL ~ 250 В айнымалы ток)	
<b>Қүту режиміндегі қуат тұтынылуы</b>	<0,5 Вт (жасыл режим)/ <2 Вт					

Monitor Audio техникалық сипаттамаларды ескертусіз өзгерту құқығын сақтайды.

# 目次



はじめに	134	ネットワークへの接続	139
接続の概要	135	ウェブポータルで「Connect」アンプを設定する	140
IA150-2	135	基本設定 (Basic Settings)	140
IA60-12	135	入力/出力設定 (Input/ Output Settings)	141
IA200-2C	136	DSP設定 (DSP Configuration)	142
IA150-8C	136	赤外線リモコンのコード	144
IA800-2C	137	トラブルシューティング	144
接続の説明	137	保証	144
LEDインジケーター	138	オーナー情報	144
チャンネルのブリッジ接続	138	仕様	145
脚	139		
アンプのラックへの取り付け	139		

## はじめに

Monitor Audioの据置型アンプは、どのような設置シーンでも場所を取らず、迫力あるサウンドを最新の技術で実現します。このマルチチャンネルアンプは最大2000Wの出力で、家庭用、業務用として幅広く使用できます。音声チャンネルをグループにまとめ、またはブリッジ接続を行うことでさまざまな設置プランに柔軟に対応できます。12チャンネルまでの構成を設定することが可能です。

世界的な定評を誇るHypexアンプを採用し、Monitor Audio 製品に期待されるの高品位なサウンドと高い信頼性を確保しながら、多方面でスタンダードとなっている1U・2Uハウジングにスリム化しました。電力効率は93%に達します。

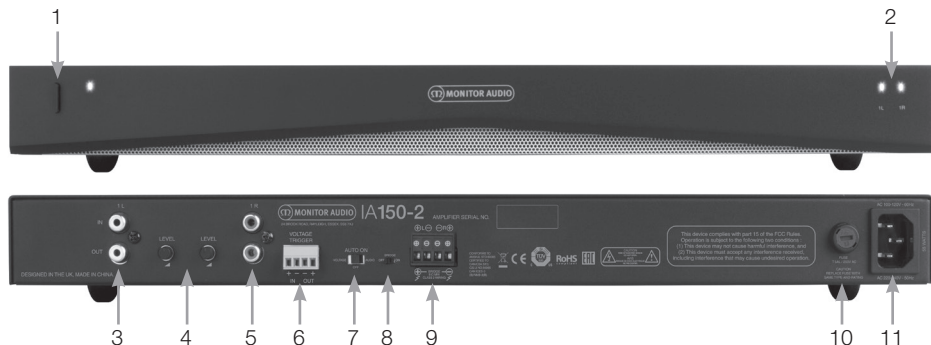
すべての機種で、簡単な電圧トリガーまたは信号検出によるコネクティビティを確保しています。

「Connect」シリーズのアンプには、高度なDSPとIP制御機能が内蔵されており、幅広い柔軟性と統合の可能性を提供します。



# 接続の概要

## IA150-2



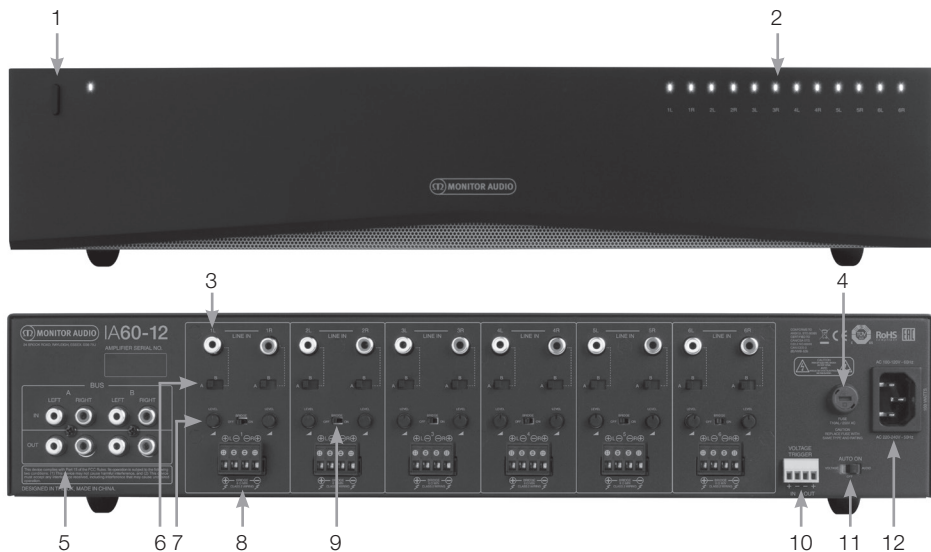
### フロントパネル

1. 電源ボタン
2. チャンネルインジケータ LED

### リアパネル

3. 左チャンネルRCA入力/出力
4. 音量レベルコントロール
5. 右チャンネルRCA入力/出力
6. トリガー入力/出力
7. 自動オンスイッチ
8. ブリッジ接続オン/オフスイッチ
9. スピーカブロックコネクタ
10. ACヒューズホルダー
11. 電源コード接続

## IA60-12



### フロントパネル

1. 電源ボタン
2. チャンネルインジケータ LED

### リアパネル

3. チャンネルRCA入力
4. ACヒューズホルダー
5. バスRCA入力/出力
6. チャンネル入力スイッチ
7. 音量レベルコントロール
8. スピーカブロックコネクタ
9. ブリッジ接続オン/オフスイッチ
10. トリガー入力/出力
11. 自動オンスイッチ
12. 電源コード接続

## IA200-2C



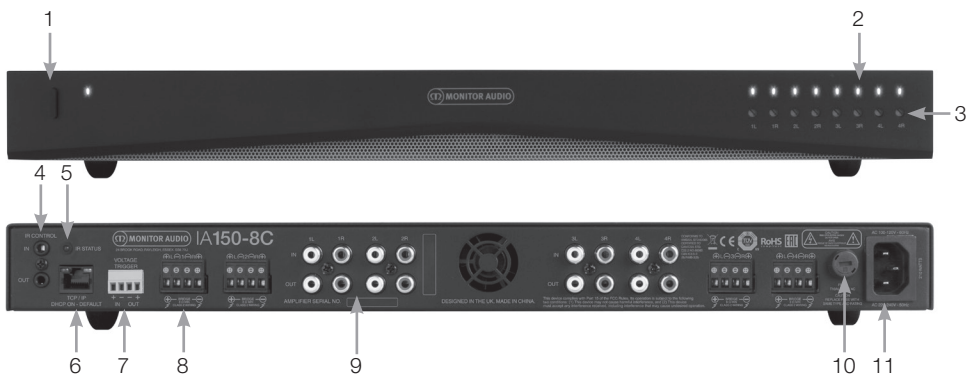
### フロントパネル

1. 電源ボタン
2. チャンネルインジケータ LED
3. 出力音量コントロール

### リアパネル

4. IRコントロール入力/出力
5. IRステータスLED
6. チャンネルRCA入力/出力
7. 電圧トリガー入力/出力
8. イーサネット (RJ-45) 接続
9. スピーカーブロックコネクタ
10. ACヒューズホルダー
11. 電源コード接続

## IA150-8C



### フロントパネル

1. 電源ボタン
2. チャンネルインジケータ LED
3. 出力音量コントロール

### リアパネル

4. IRコントロール入力/出力
5. IRステータスLED
6. イーサネット (RJ-45) 接続
7. 電圧トリガー入力/出力
8. スピーカーブロックコネクタ
9. チャンネルRCA入力/出力
10. ACヒューズホルダー
11. 電源コード接続

# IA800-2C



## フロントパネル

1. 電源ボタン
2. チャンネルインジケータ LED
3. 出力音量コントロール

## リアパネル

4. スピーカーブロックコネクタ
5. チャンネルRCA入力/出力
6. 電圧トリガー入力/出力
7. IRコントロール入力/出力
8. IRステータスLED
9. イーサネット (RJ-45) 接続
10. ACヒューズホルダー
11. 電源コード接続

## 接続の説明

### ACヒューズホルダー

このコンポーネントには、アンプの内部ヒューズが格納されています。ヒューズ交換が必要となった場合、マイナスドライバーなどの先端が平らな工具を挿入し、反時計周りに回転させて開くことができます。正確なヒューズの仕様については、ヒューズホルダーの下に印刷されている説明を参照してください。

### 電源ボタン

アンプの主電源スイッチです。長い期間使用しない場合は、このスイッチをオフにしてください。

### 出力音量コントロール

#### 「Connect」モデルのみ

小さなマイナスドライバーで出力の音量を調整してください。ウェブポータル「出力音量」(Output Volume)とリンクしています。142ページを参照してください。クリッピングやひずみがある場合(前面のチャンネルLEDに表示されます)は、反時計周りに回し、音量を上げるには時計周りに回します。

### チャンネルRCA入力

音源を接続する、左右のステレオRCAコネクタです。IA60-12など、チャンネル数が多いモデルでは、出力チャンネルより多くの入力も装備されています。

### チャンネルRCA出力

アクティブサブウーファーや追加アンプなど、外部の再生デバイスを接続する、左右のステレオRCAコネクタです。

### 音量レベルコントロール

#### IA150-2、IA60-12のみ

出力の音量調整に使用します。スピーカーでクリッピングが発生している場合は音量を下げ、出力が足りない場合は音量を上げます。

### イーサネット (RJ-45) 接続

#### 「Connect」モデルのみ

有線ネットワークへの接続に使用します。接続すると、ネットワーク上でこのアンプが他のデバイスから見えるようになります。「Connect」アンプのセットアップについては、140ページを参照してください。

### 電圧トリガー入力および出力

他のデバイスの入出力へのトリガー接続が可能です。トリガー入力を使用すると、本アンプは接続したデバイスと共にオン・オフが切り替わります。トリガー出力を使用すると、本アンプにより出力デバイスのオン・オフが切り替わります。

## 自動オンスイッチ

### IA150-2、IA60-12のみ

電圧 (Voltage)、音声 (Audio)、オフ (Off) の3つに設定できます。電圧 (Voltage) 設定では、トリガーによりスタンバイからの復帰を制御します。音声 (Audio) 設定では、音声信号が入力されるとスタンバイから復帰します。15分間信号入力がないと、スタンバイに戻ります。オフ (Off) 設定では、手動でのみアンプをオン/オフに切り替えることができます。

## ブリッジスイッチ

### IA150-2、IA60-12のみ

ブリッジモードをオンまたはオフにします。ブリッジモードでは、2回路の出力を組み合わせてより大きな出力を生成します。

## バスRCA入力

### IA60-12のみ

音源を接続する、左右のステレオRCA入力です。チャンネルRCAコネクタと異なり、バスRCA入力は複数の出力チャンネルにルーティングできます。

## バスRCA出力

### IA60-12のみ

左右のステレオRCA出力です。バス入力信号を外部のデバイスや追加のアンプとデジチェーン接続する場合に使用できます。

## バススイッチ

### IA60-12のみ

アンプのチャンネルの入力音源を選択します。

## スピーカーブロックコネクタ

スピーカーを接続します。136ゲージのケーブルまで対応しています。右のスピーカーの接続項目を参照してください。

## IR入力

赤外線レシーバーを接続し、プログラム可能なリモコンでアンプを操作します。ディスクリットコマンドと144進数コードについては、12ページを参照してください。

## IR出力

赤外線リピーターや他のアンプのIR入力への接続に使用します。一台のリモコンのコマンドを複数のデバイスで受信することができます。例えば、1回のオン/オフコマンドでラック全体の据置型アンプを操作できます。

## LEDインジケーター

### 電源LED (オレンジLED)-

暗いオレンジ点灯 - スタンバイモード

明るいオレンジ点灯 - 電源オン

明るいオレンジ点滅 - 識別中または更新中

### チャンネルLED (オレンジ/白色デュアルLED)

消灯 - 信号なし

オレンジ点灯 - 信号あり

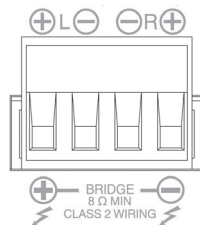
白点灯 - チャンネルがクリッピングしているか、アンプが保護モードに移行

白LED点滅 - 熱保護

クリッピングや熱保護が発生した場合は、音量を下げてください。問題が継続する場合は、144ページのトラブルシューティングを参照してください。

## スピーカーの接続

すべてのアンプにスピーカーブロックコネクタが装備されており、確実に安全なスピーカー接続ができます。簡単にアクセスできるように、ブロックを取り外すことができます。マイナスインプライバーを使い、スピーカーブロックの頂点のねじをゆるめ、前面の開口へスピーカーケーブル (最大12ゲージまで) を挿入します。ねじを締め、ケーブルを固定します。

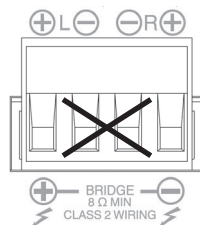


## チャンネルのブリッジ接続



**警告:**ブリッジモードで使用できるスピーカーの最低のインピーダンスは8Ωです。公称インピーダンスが8Ω以下のスピーカーは絶対にブリッジ接続しないでください。

1. 接続の概要のセクションを参照し、ゾーンのブリッジスイッチをオンにしてください。
2. スピーカーの「+」リードを左チャンネルの「+」コネクタに、スピーカーの「-」リードを右チャンネルの「+」コネクタに接続します。「-」出力は使用しません。

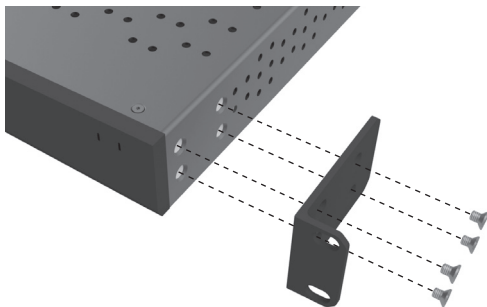


## 脚

ラック以外への取り付けのために、アンプにはゴム脚が付属しています。脚を取り付けるには、アンプのベースにある4つのねじ穴に脚をねじ込みます。

## アンプのラックへの取り付け

標準の19インチラックへの取り付けのため、アンプにはラックブラケット固定金具が付属しています。ブラケットを取り付けるには、アンプ側面の前寄りにある4つのねじを取り外します。取り外したねじのねじ穴にブラケットを当て、同じねじを使ってブラケットを固定します。



## アンプへの電源供給

すべてのアンプには、IEC電源コードが付属しています。アンプの電源コードを差し込み、電源スイッチをオンにするたびに、すべての出力が約12秒間切断され、アンプが起動する間、すべてのチャンネルインジケータLEDが短時間点灯します。



**注意:** システムのすべての配線が終わるまで、電源プラグをコンセントに差し込まないでください。

## ネットワークへの接続



**注意:** このセクションは「Connect」モデルにのみ該当します。

1. イーサネットケーブルを使用してアンプをネットワークハブに接続します。パソコンとアンプが同じネットワーク上にあることを確認してください。
2. アンプの電源を入れます。
3. ネットワークスイッチを通じて、アンプにIPアドレスが割り当てられます。
4. 「Advanced IP Scanner」(Windowsのみ)などのIPアドレス検索アプリケーションを実行します。これは、以下からダウンロードできます。  
<https://www.advanced-ip-scanner.com>
5. 「Advanced IP Scanner」(または、類似のアプリケーション)を起動し、使用しているネットワークのIPアドレス範囲(ルーターが管理しているもの)を画面上部の検索バーに入力します。[スキャン](Scan)をクリックして、検索します。
6. 一覧中のアンプのIPアドレスにはドロップダウンオプションがあり、ダブルクリックするとアンプのウェブ設定ページが開きます。

また、使用中のルーターの設定ページから、すべてのネットワークIPアドレスを取得できます。

アンプのIPアドレスが判明したら、ブラウザにこのアドレスを入力し、ウェブ設定ポータルを開きます。

# ウェブポータルで「Connect」アプリを設定する

## 基本設定 (Basic Settings)

ここでは、アンプの最も基本的な一般設定を編集し、保存できます。次のセクションで、このタブの機能を説明します。



**注意:ウェブポータルで行う変更は、ページを手動で更新するか、他のページを一旦開かないと画面に反映されない場合があります。**

## 情報 (Information)

ここでは、アンプの名前を入力し、将来の参考のために設置の詳細情報を入力しておくことができます。アンプのモデル、ファームウェアのバージョン、シリアル番号が表示されますが、これらは編集できません。

## ネットワーク (Network)

**IPアドレス (IP Address)** – DHCPがオンの場合は、現在のIPアドレスが表示されます。DHCPがオフの場合は、希望する静的IPアドレスをここに入力します。

**IPサブネットマスク (IP Subnet Mask)** – DHCPがオンの場合、現在のIPサブネットマスクが表示されます。DHCPがオフのときは、希望する静的IPサブネットマスクをここに入力します。



**注意:IPアドレスやサブネットマスクを変更すると、引き続きウェブポータルにアクセスするためにウェブブラウザに新しいIPアドレスを入力する必要があります。**

## 識別モード (Identification Mode)

このオプションをオンにすると、アンプ前面の電源LEDが点滅します。複数のアンプを使用しているとき、どのアンプを設定しているかを調べるのに便利です。

## 印刷 (Print)

アンプの現在のすべての設定を記載した印刷用ページを開きます。

## 電源オン (Power ON)

ご使用のアンプに最適な電源オンのモード (以下を参照) を選択します。また、電源オンの遅延時間を0~20秒の範囲で設定できます。複数のアンプがあり、所定の順序で起動したい場合に便利です。

**電源ボタン (Power Button)** – 信号検出と電圧トリガー検知のスイッチをオフにします。本体の電源ボタンによってのみ、電源スイッチのオン・オフを制御します。

**オーディオ (Audio)** – オーディオモードでは、信号検知でアンプのスイッチがオンになります。ネットワーク上でのコミュニケーションは可能なままです。このモードでは、スタンバイ状態で2Wの電力を消費します。

**電圧トリガー (Voltage Trigger)** – 12Vの電圧トリガーでアンプをオンにします。

**オーディオグリーン (Audio Green)** – このモードでは、信号検知でアンプのスイッチがオンになります。15分間信号入力がないと、スタンバイに戻ります。スタンバイ時はネットワークコミュニケーションがオフになるため、アンプをスタンバイ状態から復帰させる必要があります。このモードでは、スタンバイ状態で0.5Wの電力を消費します。

**電圧グリーン (Voltage Green)** – このモードでは、電圧トリガーでアンプのスイッチをオン・オフに切り替えます。スタンバイ時はネットワークコミュニケーションがオフになるため、アンプをスタンバイ状態から復帰させる必要があります。注意:このモードでは、スタンバイ状態で0.5Wの電力を消費します。

電源モード	スタンバイ時の電力	スタンバイ時のネットワーク通信
電源ボタン	該当なし	該当なし
音声	2W	あり
電圧トリガー	2W	あり
オーディオグリーン	0.5W	なし
電圧グリーン	0.5W	なし

## 保存 & 復元 (Save & Restore)

これを使用してすべての設定をファイルに保存し、復元の必要が生じた場合に使用することができます。

## グローバルプリセットを読み込む

### (Load Global Preset)

#### アクティブグローバルプリセット (Active Global Preset)

現在のアクティブグローバルプリセットを表示 (現在アクティブなグローバルプリセットが表示されます。テキスト入力用ではありません) - 現在のアクティブプリセットをデフォルト設定に戻すためのリセットボタンが付いています。

#### グローバルプリセットを選択 (Select Global Preset)

ドロップダウンメニューから希望のプリセットを選択して、編集・実装します。

ドロップダウンメニューの隣の読みボタンをクリックすると、選択したプリセットが有効化され、ポップアッププロンプトでの確認後にアンプが再起動します。ウェブページが更新すると、アクティブグローバルプリセットも変更されます。

**プリセット名を編集 (Edit Preset name)** - ドロップダウンメニューから現在選択されているプリセットの名称を編集するためのテキスト入力欄です。

## グローバルプリセットのインポート/エクスポート (Import/Export Global Preset)

**すべてのプリセット (All Presets)** - ファイルからすべてのグローバルプリセットをインポート/エクスポートします。

**シングルプリセット (Single Preset)** - メニュー/ファイルからファイルへひとつのグローバルプリセットをインポート/エクスポートします。

## グローバルプリセットを複製

### (Duplicate Global Preset)

グローバルプリセット「X」をグローバルプリセット「Y」にコピーします。両方ともドロップダウンメニューから選択可能です。

## リセット (Reset)

**工場出荷時リセット (Factory Reset)** - リセットボタンは、全設定と全プリセット (グローバル & DSP) を工場出荷時のオリジナル設定にリセットします。ボタンを押すと、アンプの電源LEDが点滅した後、再起動します。

## アップデート (Update)

**ファームウェアアップデート (Firmware Update)** - このボタンにより、ユーザーが選択したファームウェア (.bin file) をインストールします。アップデートに成功すると、ウェブポータルに通知が表示されます。プロンプトに従って、アンプを再起動し、「基本設定 (Basic Setting)」ページに戻ってください。最新ファームウェアは、当社ウェブサイトからダウンロード可能となります。[monitoraudio.com](http://monitoraudio.com)

**注意: ファームウェアは設置作業毎にチェックされることをお勧めいたします。最新ファームウェアについて**

は、弊社サイト[monitoraudio.com](http://monitoraudio.com)をご参照ください。

## 入力/出力設定 (Input/Output Settings)

ここでは、各入力を選択した出力先ヘルパーティングの設定ができます。個々のトリムレベル、モード、ゲインオフセット、音量パラメータも設定できます。70Vライン (IA800-2Cのみ) やブリッジなどのアンプモードもここで有効化できます。



**注意: ウェブポータルで行う変更は、ページを手動で更新するか、他のページを一旦開かないと画面に反映されない場合があります。**

## 入力セットアップ (Input Setup)

ここでは、すべての入力チャンネルが表示されます。各入力名称は編集可能で、トリムレベルもチャンネル毎に +/- 6dB の範囲で調整可能です。トリムレベルは増幅前の入力レベルです。

## 出力セットアップ (Output Setup)

**チャンネル (Channel)** - 編集する出力チャンネルを選択します。ドロップダウンメニューからチャンネルを選択すると、それに呼応するチャンネルがもう一方のドロップダウンメニューに表示されます (例: 左ドロップダウンメニューから「1 LEFT」を選択すると、右ドロップダウンメニューに「1 RIGHT」が表示されます)。

**出力名 (Output Name)** - チャンネル出力の名称を入力します。

**ステレオ/モノ (Stereo/ Mono)** - 各チャンネルのステレオ/モノを選択します。左右入力チャンネルでモノを選択すると、選択した出力先でもモノとなります。

**DSPプリセット (DSP Preset)** - 保存済みのDSPプリセットを出力チャンネルに適用します。これは各チャンネルで個別に選択可能で、ステレオのペア間でリンクされることはありません。

**制御ゾーン (Control Zone)** – A、B、C、D、と選択します (グループ数 = 出力チャンネル数)。同じ制御ゾーンを選択した全チャンネルで、出力音量、起動音量、消音の設定がグループ化されます。複数チャンネルを1つのゾーンとして制御するために使用します。

**アンプモード (Amp Mode)** – ステレオモードまたはブリッジモードを選択します。IA800-2Cでは70Vモードも選択できます。

## 出力音量 (Output Volume)

**チャンネル (Channel)** – 編集する出力チャンネルを選択します。ドロップダウンメニューからチャンネルを選択すると、それに呼応するチャンネルがもう一方のドロップダウンメニューに表示されます。選択したチャンネル出力を、下記のオプションを使用して制御します：

- 起動時の音量 (Turn On Volume)
- ミュート (Mute)

**制御ゾーン (Control Zone)** – 制御ゾーンを選択します。選択したゾーンの出力を、下記のオプションを使用して制御します：

- 出力音量 (Output Volume) – 前面のコントロールダイヤルにリンクしています。前面のダイヤルを調整すると、ウェブページの数値も変化します (更新後)。ウェブページで調整を行っても、ダイヤルは変化しません。

- 最大音量 (Maximum Volume)
- ゲインオフセット (Gain Offset)

## 出力先 (Output Source)

**チャンネル (Channel)** – ルートを編集する出力チャンネルを選択します。ドロップダウンメニューからチャンネルを選択すると、それに呼応するチャンネルがもう一方のドロップダウンメニューに表示されます。

**ソース 1 (Source 1)** – 選択したチャンネルヘルレーティングするプライマリ入力ソースを選択します。

プライマリ入力ソースは常にステレオにリンクされます。例えば、左チャンネルに1Lを選択すると、1Rが自動的に右チャンネルに選択されます。

**ソース 2 (Source 2)** – 選択したチャンネルヘルレーティングするセカンダリ入力ソースを選択します。

セカンダリソースは個別に選択でき、必ずしもステレオにリンクする必要はありません。

**ソースの選択 (Source Select)** – プライマリソース2 (Priority Source 2)、ソース1のみ (Source 1 Only)、またはミックス (MIX) のいずれかを選択します。

これにより、選択した出力チャンネルへ1、2、MIX (1と2のミックス) のいずれかがルーティングされます。デフォルト：ソース1。

## DSP設定 (DSP Configuration)

DSP設定タブ上で、インポート/エクスポート可能なプリセットとして保存可能な10バンドのパラメータEQを使用して、サウンドの最終調整ができます。



**注意：ウェブポータルで行う変更は、ページを手動で更新するか、他のページを一旦開かないと画面に反映されない場合があります。**

**Allocate Preset**

Output Channel: 1 LEFT, 1 RIGHT

Output Name: Output 1L, Output 1R

DSP Preset: Preset OFF, Preset OFF

**Test Signal**

Output Channel: 1 LEFT, 1 RIGHT

Stimulus: Pink Noise, Pink Noise

Volume Level: -20, -20

On/Off: OFF, OFF

**Import/Export Preset**

All Presets: Import, Export

Single Preset: Preset1, Import, Export

**Duplicate Preset**

From: Preset1, Duplicate

To: Preset1

**Select DSP Preset**

Select DSP Preset: Preset1

**Edit Preset Name**

Edit Preset Name: Preset1, Reset, Reset

**EQ Graph**

EQ Graph showing frequency response (15dB to -15dB) vs frequency (20 to 20000 Hz).

**EQ Parameter**

	EQ1	EQ2	EQ3	EQ4	EQ5	EQ6	EQ7	EQ8	EQ9	EQ10
EQ - On/Off	OFF	OFF	OFF	OFF	OFF	OFF	OFF	OFF	OFF	OFF
EQ Frequency	1000	1000	1000	1000	1000	1000	1000	1000	1000	1000
EQ - Q	1	1	1	1	1	1	1	1	1	1
EQ - Gain +/- dB	0	0	0	0	0	0	0	0	0	0

**Tilt Control**

Low Tilt: OFF, OFF, High Tilt: OFF, OFF

Frequency: 100, 5000, Frequency: 100, 5000

Gain: 0, 0, Gain: 0, 0

**Crossover**

LP Crossover: OFF, OFF, HP Crossover: OFF, OFF

Frequency: 80, 80, Frequency: 80, 80

Filter Type: 24dB, 24dB, Filter Type: 24dB, 24dB

**Delay**

m Sec: 0

Feet: 0

Metres: 0

**Limiter**

Level: OFF



## プリセット割当

**出力チャンネル (Output Channel)** – チャンネルを選択してDSPプリセットを編集・選択します。ドロップダウンメニューからチャンネルを選択すると、それに呼応するチャンネルもう一方のドロップダウンメニューに表示されます。

**出力名 (Output Name)** – チャンネルの名称を入力します。ここで変更を行うと、入力/出力設定ページ上でも変更されます。

**DSPプリセット (DSP Preset)** – 保存済みのDSPプリセットを出力チャンネルに適用します。これは各チャンネルで個別に選択可能で、ステレオのペア間でリンクされることはありません。

## Test Signal (試験信号)

**出力チャンネル (Output Channel)** – 試験信号をルーティングするため出力チャンネルを選択します。ドロップダウンメニューからチャンネルを選択すると、それに呼応するチャンネルがもう一方のドロップダウンメニューに表示されます。

**刺激 (Stimulus)** – ピンクノイズ等、いずれかの入力チャンネルを選んで、選択した出力に一時的にルーティングします。

**音量レベル (Volume Level)** – 選択チャンネルの刺激音声の音量レベルをdBで表示します。

**オン/オフ (On/ Off)** – 選択刺激をオン・オフにします。DSP設定ページから離れる時のデフォルトはオフです。

プリセットのインポート/ エクスポート (Import/ Export Preset)

**全プリセット (All Presets)** – ファイルから全DSPプリセットをインポート/ エクスポートします。

**シングルプリセット (Single Preset)** – ファイルから現在選択中のDSPプリセットをインポート/ エクスポートします。

プリセットを複製 (Duplicate Preset)  
DSPプリセット「X」をDSPプリセット「Y」にコピーします。両方ともドロップダウンメニューから選択可能です。

DSPプリセットの選択/名称変更 (Select/ Rename DSP Preset)

**DSPプリセットを選択 (Select DSP Preset)** – 選択したプリセットには、下記の設定上で追加されたEQ設定変更が自動的に保存されます。

**プリセット名称を編集 (Edit Preset Name)** – プリセットの名称を変更するために入力します。

**リセット (Reset)** – 選択中のプリセットの名称と設定すべてをデフォルトにリセットします。

## EQグラフ (EQ Graph)

EQ設定のカーブが表示されます。

## EQ/パラメータ (EQ Parameter)

10/バンドのパラメータEQ毎に、下記の設定項目により構成が可能です：

**EQ – オン/ オフ (EQ – On/ Off)** – 適用したパラメータ変更を有効化するために周波数帯をオンにします。

**EQ周波数 (EQ Frequency)** – 変更を適用する周波数域幅のセンターポイントです。

**EQ – Q** – Qファクターがイコライザーによってブーストされる域幅を制御します (0.3~24の間の数値)。Qファクターが低いほど、域幅が広がります (センターポイントの両側で影響を受ける周波数も増えます)。Qファクターが高いほど、域幅が狭くなります (また、影響を受ける周波数も減ります)。

**EQ – Gain +/- dB** – 選択された周波数でのゲイン/音量の増減。

## チルト制御 (Tilt Control)

ここでは、設定した周波数の上下でゲインを一定に維持するためにゲインを変更できます。以下の設定可能項目を使用して、チルトEQフィルターを低/高周波数に適用します：

**チルト オン/ オフ (Tilt On/ Off)** – 適用したパラメータ変更を有効化するために高/低チルトEQフィルターをオンにします。

**周波数 (Frequency)** – チルトフィルター調整の周波数スタートポイントです。

**ゲイン (Gain)** – ゲイン/ 音量の増減。

## クロスオーバー (Crossover)

ここでは、ハイパス (HP) またはローパス (LP) クロスオーバーフィルターを適用できます。パッシブサブウーファースを使用する場合 (LPフィルターが使用されず)、または低周波数を取り扱えない小型衛星の場合 (HPフィルターが使用されます) に便利です。下記の設定可能項目を使用してローパスとハイパスフィルターを設定します：

**クロスオーバーのオン/ オフ (Crossover On/ Off)** – 適用したパラメータ変更を有効化するためにハイ/ローパスフィルターをオンにします。

**カットオフ周波数 (Cut off Frequency)** – 各ハイパス/ローパスクロスオーバーフィルターの-6dBポイントを設定します。

**フィルタータイプ (Filter Type)** – 各ハイパス/ローパスクロスオーバーフィルター向けに、6、12、18、24 dB/オクターブで選択可能です。数値が大きくなるほどスロープのカットオフ角度も鋭角となります。

## 遅延 (Delay)

ミリ秒、フィート、メートルのいずれかで遅延を選択するためのテキスト入力欄です。

1のユニット向けに数値を入力すると、他の2のユニットの数値は自動的に計算されます。

## リミッター (Limiter)

**レベル (Level)** - リミッターのレベル選択肢は、オフ、-3dB、-6dB、-9dBです。信号レベルが閾値を超えないように制限し、このポイントを超えて追加ゲインを防ぎ、スピーカーにダメージを与えることがないようにするためのものです。

## 赤外線リモコンのコード

### 「Connect」モデルのみ

「Connect」シリーズのアンプは、ユニバーサルリモコンで使用するためのIR入力・出力を備えています。アンプへのコマンドは、標準のNECプロトコルに準拠しています。こちらからダウンロード可能です：[monitoraudio.com](http://monitoraudio.com)

## トラブルシューティング

不具合の際のLED表示：

**白LED** - チャンネルがクリッピングしている/保護モードに入っている

入力信号が高すぎると、チャンネルLEDが白く光ります。この場合、アンプのトリムレベルかオーディオソースの音量を下げてください。

**白LED点滅 - 熱保護**

この場合、アンプの電源をオフにして、室温に戻るまでクールダウンさせてから、再度スイッチを入れるようにしてください。

その他の不具合：

**電源が入らない**

アンプに電源が入らない場合、本マニュアル135ページの接続の『概要』を参照して、プラグ内のヒューズ(該当する場合)とアンプ内蔵ヒューズをチェックしてください。

**何も聞こえない**

アンプが「Connect」モデルの場合、チャンネルが正しくルーティングされ、ミュートになっていないことを確認して、すべての接続やケーブルをチェックしてください。

アンプがブリッジモードに設定されている場合は、スイッチ/設定とワイヤリングが正しく設定されているか確認してください。

それでも信号が出力されない場合、または不具合の発生するモードが解消しない場合は、販売店または弊社まですぐにご連絡ください。

## 保証

本製品の技術的な完成度やパフォーマンスは、本機器の購入日から製品欠陥に対して保証されています。保証は、消費者販売契約の下、認定Monitor Audio販売店によって提供されることを前提とし、本機器の購入日から**5年間** (重要な安全説明のしおりの条件を参照) とします。

必要に応じてお客様の保証に関する情報をデータベースで確認させていただくために、以下のサイトからインターネットでお買い上げの製品の登録をお願いいたします。[monitoraudio.com](http://monitoraudio.com)

## オーナー情報

### 製品詳細

モデル: \_\_\_\_\_

製品のシリアル番号: \_\_\_\_\_

購入日: \_\_\_\_\_

### 販売店の詳細

販売店名: \_\_\_\_\_

住所: \_\_\_\_\_  
\_\_\_\_\_

郵便番号: \_\_\_\_\_

電子メールアドレス: \_\_\_\_\_

# 仕様

モデル -	IA150-2	IA60-12	IA200-2C	IA150-8C	IA800-2C	
「Connect」IP制御	該当なし	該当なし	あり	あり	あり	
チャンネル数	2(ステレオチャンネル1ペア)	12(ステレオ6チャンネル)	2(ステレオチャンネル1ペア)	8(ステレオ4チャンネル)	2(ステレオチャンネル1ペア)	
出力 (W/チャンネル)	4Ω	150W	60W	200W	150W	800W
	8Ω	100W	45W	150W	140W	500W
	ブリッジ (8Ω)	320W (1CH)	100W (6CH)	470W (1CH)	300W (4CH)	2000W (1CH)
	70V	該当なし	該当なし	該当なし	該当なし	800W (2CH)
入力インピーダンス	20KΩ					
出力インピーダンス (ループRCA)	600Ω					
入力感度	100mV/1W - 1000 mV フル出力	100mV/1W - 700 mV フル出力	100mV/1W - 1230 mV フル出力	100mV/1W - 1140 mV フル 出力	100mV/1W - 2200 mV フル出力	
最大入力電圧 (RMS)	2.9 V					
SN比	-100dB (20Hz ~ 20kHz)					
周波数応答 (-3db)	5Hz ~ 50kHz					
全高調波歪み (THD) (THD + N@1 kHz)	0.03%@1W					
ラック高さ	1U	2U	1U	2U		
寸法 - 脚を除く (高さ x 幅 x 奥行)	42.4 x 438 x 427mm 1 11/16 x 17 1/4 x 16 13/16"	86.8 x 438 x 427mm 3 7/16 x 17 1/4 x 16 13/16"	42.4 x 438 x 427mm 1 11/16 x 17 1/4 x 16 13/16"	86.8 x 438 x 438mm 3 7/16 x 17 1/4 x 16 13/16"		
寸法 - 脚を含む (高さ x 幅 x 奥行)	52.8 x 438 x 427mm 2 1/16 x 17 1/4 x 16 13/16"	97.2 x 438 x 427mm 3 13/16 x 17 1/4 x 16 13/16"	52.8 x 438 x 427mm 2 1/16 x 17 1/4 x 16 13/16"	97.2 x 438 x 438mm 3 13/16 x 17 1/4 x 16 13/16"		
ラックブラケットを 含む幅	482mm 19"					
重量	5.29 Kg (11lb 10oz)	7.34 Kg (16lb 2oz)	5.3 Kg (11lb 10oz)	7.45 Kg (16lb 6oz)	9.2 Kg (20lb 4oz)	
IP通信	該当なし	該当なし	TCP/IP (RJ-45 10/100 Base T)			
動作電源電圧	100~120V, 60Hz - 220~240V, 50Hz					
ヒューズ定格	5A (T5AL ~ 250VAC)	10A (T10AL ~ 250VAC)	5A (T5AL ~ 250VAC)	10A (T10AL ~ 250VAC)	15A (T15AL ~ 250VAC)	
スタンバイ電力消費	0.5W以下 (グリーンモード) / 2W以下					

Monitor Audioは、予告なしに仕様を変更する権利を留保します。



146	مقدمة	151	الاتصال بشبكة
147	نظرة عامة على التوصيلات	152	تكوين مضخم الصوت "Connect" باستخدام بوابة الويب
147	2-IA150	152	الإعدادات الأساسية
147	12-IA60	153	إعدادات الإدخال/الإخراج
148	2C-IA200	154	تكوين DSP
148	8C-IA150	155	رموز وحدة التحكم عن بُعد التي تعمل بالأشعة تحت الحمراء
149	2C-IA800	156	استكشاف الأعطال وإصلاحها
150	مؤشرات LED	156	الضمان
150	توصيل القنوات	156	معلومات المالك
151	الأقدام	157	المواصفات
151	تركيب حامل مضخم الصوت		

## مقدمة

نقدم مضخمات صوت التثبيت من Monitor Audio، المصنعة لتقديم المزيد واستخدام مساحة أقل، والتي تتميز بتقنية رائدة للحصول على أفضل أداء صوتي في أي مشروع تثبيت. يمكن استخدام مضخمات الصوت متعددة القنوات في مجموعة متعددة من الاستخدامات في المنشآت السكنية والتجارية المزودة بمصدر طاقة يصل إلى 2000 وات. يمكن تجميع قنوات الصوت أو توصيلها للاستمتاع بعمليات تثبيت مرنة وقابلة للتكوين حتى 12 قناة.

لقد اخترنا مضخمات الصوت العالمية المطورة Hypex لضمان الموثوقية وجودة الصوت الممتازة المتوقعة من Monitor Audio، وتصميمها النحيف في وحدتين مرتفعتين U1 وU2 تلائم معظم الحوامل بينما توفر 93% من الطاقة.

تميز مضخمات الصوت كلها بالتوصيل الكامل بمقيس جهد كهربائي سلكي أو استشعار الإشارة. تتضمن مضخمات الصوت "Connect" معالج الإشارات الرقمية (DSP) ووحدة التحكم في عنوان IP الأكثر تعقيداً، مقدمة بذلك قدرًا أكبر من المرونة والتكامل.



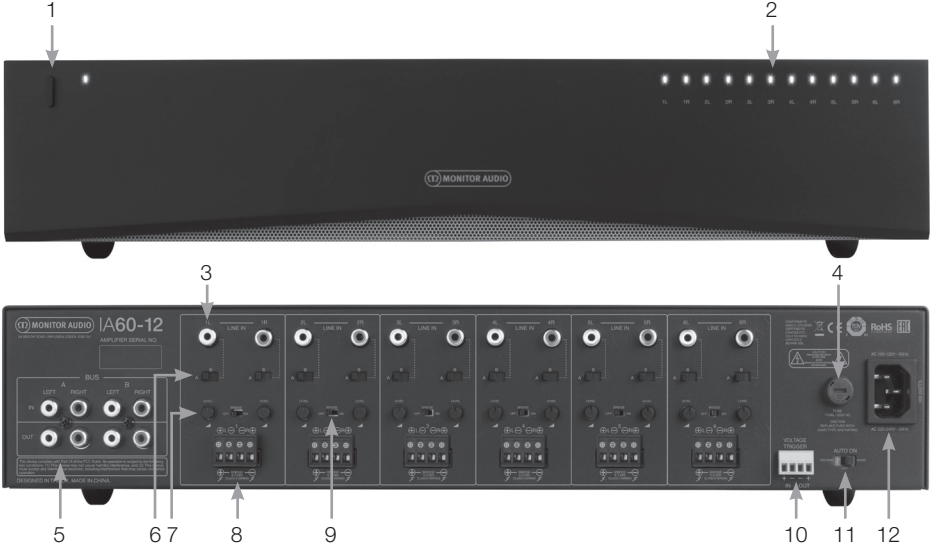
اللوحة الأمامية

1. زر الطاقة
2. مؤشر LED الخاص بالقتاة

اللوحة الخلفية

3. دخل/خرج للقناة اليسرى
4. مفتاح التحكم في مستوى الصوت
5. دخل/خرج للقناة اليمنى
6. دخل/خرج المقبس مفتاح التشغيل التلقائي

7. مفتاح تشغيل/إيقاف تشغيل التوصيل
8. موصل السماعة
9. حامل منضهر التيار المتردد
10. وصلة سلك الطاقة



اللوحة الأمامية

1. زر الطاقة
2. مؤشر LED الخاص بالقتاة

اللوحة الخلفية

3. مداخل RCA الخاصة بالقناة
4. حامل منضهر التيار المتردد
5. مداخل/مخارج RCA الخاصة بالناقل
6. مفتاح دخل القناة
7. مفتاح التحكم في مستوى الصوت

8. موصل السماعة
9. مفتاح تشغيل/إيقاف تشغيل التوصيل
10. دخل/خرج المقبس
11. مفتاح التشغيل التلقائي
12. وصلة سلك الطاقة

## 2C-IA200



### اللوحة الأمامية

### اللوحة الخلفية

- |                                    |  |                                 |
|------------------------------------|--|---------------------------------|
| 1. زر الطاقة                       | 4. خرج ودخل التحكم في الأشعة تحت الحمراء   | 8. التوصيل بشبكة إيثرنت (RJ-45) |
| 2. مؤشر LED الخاص بالقناة          | 5. مؤشر LED الخاص بحالة الأشعة تحت الحمراء | 9. موصل السماعة                 |
| 3. مفتاح التحكم في مستوى صوت الخرج | 6. مداخل/مخارج RCA الخاصة بالقناة          | 10. حامل منصهر التيار المتردد   |
|                                    | 7. خرج /دخول مقبس الجهد الكهربائي          | 11. وصلة سلك الطاقة             |

## 8C-IA150



### اللوحة الأمامية

### اللوحة الخلفية

- |                                    |  |                                   |
|------------------------------------|--|-----------------------------------|
| 1. زر الطاقة                       | 4. خرج/دخول التحكم في الأشعة تحت الحمراء   | 8. موصل السماعة                   |
| 2. مؤشر LED الخاص بالقناة          | 5. مؤشر LED الخاص بحالة الأشعة تحت الحمراء | 9. مداخل/مخارج RCA الخاصة بالقناة |
| 3. مفتاح التحكم في مستوى صوت الخرج | 6. التوصيل بشبكة إيثرنت (RJ-45)            | 10. حامل منصهر التيار المتردد     |
|                                    | 7. خرج /دخول مقبس الجهد الكهربائي          | 11. وصلة سلك الطاقة               |



## اللوحة الأمامية

1. زر الطاقة
2. مؤشر LED الخاص بالقتاة
3. مفتاح التحكم في مستوى صوت الخرج

## اللوحة الخلفية

4. موصل السماعة
5. مداخل/مخارج RCA الخاصة بالقتاة
6. خرج /دخل مقبس الجهد الكهربي
7. خرج/دخل التحكم في الأشعة تحت الحمراء
8. مؤشر LED الخاص بحالة الأشعة تحت الحمراء
9. التوصيل بشبكة إيثرنت (RJ-45)
10. حامل منصهر التيار المتردد
11. وصلة سلك الطاقة

## حامل منصهر التيار المتردد

تحتوي هذه الحجرة على المنصهر الداخلي لمضخم الصوت، فإذا ما احتجت لتغير المنصهر فإنه يمكن فتح الحجرة بإدخال جسم مسطح الرأس مثل مفك عادي وتدويره عكس اتجاه عقارب الساعة. راجع المعلومات المطبوعة على المنتج أسفل حامل المنصهر للاطلاع على مواصفات المنصهر الصحيحة.

## زر الطاقة

هذا مفتاح الطاقة الرئيسي لمضخم الصوت. يُرجى التأكد من إيقاف تشغيل مضخم الصوت في حال عدم استخدامه لفترات طويلة.

## مفتاح التحكم في مستوى صوت الخرج

طرز "Connect" فقط.

استخدم مفك عادي لزيادة مستوى صوت الخرج أو خفضه. يرتبط هذا "بمستوى صوت الخرج" في بوابة الويب. راجع صفحة 154. أدر المفتاح عكس اتجاه عقارب الساعة إذا كان يوجد تشويش/تشويه (كما هو مشار إليه من خلال مؤشر LED الخاص بالقتاة والموجود على اللوحة الأمامية)، أو في اتجاه عقارب الساعة لزيادة مستوى الصوت.

## مداخل RCA الخاصة بالقتاة

موصل الاستريو الأيسر والأيمن الخاصين بـ RCA للتوصيل بالمصادر الصوتية. تتميز الطرز التي تحتوي على عدد أكبر من القنوات مثل 12-IA60 بمزيد من الإدخالات بالنسبة لعدد قنوات الخرج المتوفرة.

## مخارج RCA الخاصة بالقتاة

موصل الاستريو الأيسر والأيمن الخاصين بـ RCA للتوصيل بأجهزة التشغيل الخارجية مثل مكبرات الصوت النشطة أو مضخمات الصوت الإضافية.

## مفتاح التحكم في مستوى الصوت

طرز 2-IA150 و 12-IA60 فقط.

يُستخدم لزيادة مستوى صوت الخرج أو خفضه. اخفض الصوت إذا كانت السماعات تصدر تشويشاً، أو زده إذا كان صوت الخرج هادئاً للغاية.

## التوصيل بشبكة إيثرنت (RJ-45)

طرز "Connect" فقط.

يُستخدم للتوصيل بشبكة سلكية. بمجرد توصيل مضخم الصوت فسيصبح مرتباً على الشبكة للأجهزة الأخرى. راجع صفحة 152 حول كيفية إعداد مضخم الصوت "Connect" الخاص بك.

## خرج ودخل مقبس الجهد الكهربي

يمكن إجراء توصيل المقبس بدخول/خرج جهاز آخر. عند استخدام الدخل، سيتم تشغيل مضخم الصوت وإيقاف تشغيله باستخدام الجهاز المتصل. سيتم تشغيل وإيقاف تشغيل الجهاز المتصل بخرج مضخم الصوت باستخدام مضخم الصوت؟

## مؤشرات LED

مفتاح التشغيل التلقائي  
طراز 2-IA150 و 12-IA60 فقط.  
يوجد ثلاثة إعدادات: الجهد الكهربائي، والصوت، وإيقاف التشغيل. في إعداد الجهد الكهربائي، ستستخدم طريقة المقيس لتشغيل مضخم الصوت من وضع الاستعداد. في إعداد الصوت، سيتم تشغيل مضخم الصوت من وضع الاستعداد عند وجود إشارة صوتية. سيعدو إلى وضع الاستعداد عندما لا توجد إشارة لمدة 15 دقائق. في إعداد إيقاف التشغيل، لا يمكن تشغيل مضخم الصوت أو إيقاف تشغيله إلا يدويًا.

### مفتاح التوصيل

طراز 2-IA150 و 12-IA60 فقط.

شغل وضع التوصيل أو أوقف تشغيله، حيث يتم الجمع بين هذين الخرجين النشطين لإنتاج المزيد من طاقة الخرج.

### مداخل RCA الخاصة بالناقل

طراز 12-IA60 فقط.

مدخل الاستريو الأيسر والأيمن الخاص بـ RCA الخاص بالتوصيل بالمصادر الصوتية. على عكس موصل RCA الخاص بالناقل، فإن مدخلي RCA الخاصين بالناقل يمكن توجيههما لقبوات خرج متعددة.

### مخارج RCA الخاصة بالناقل

طراز 12-IA60 فقط.

مخرجا الاستريو الأيسر والأيمن الخاصين بـ RCA. يمكن استخدامهما إذا كنت ترغب في إجراء سلسلة متعاقبة لإشارة دخل الناقل للأجهزة الخارجية/مضخمات الصوت الإضافية.

### مفتاح الناقل

طراز 12-IA60 فقط.

حدد دخل مصدر الصوت للقناة بمضخم الصوت.

### موصل السماعة

يقبل حتى 156 كبل جهاز قياس التوصيل السماعات، يُرجى مراجعة العمود التالي بهذه الصفحة.

### مدخل الأشعة تحت الحمراء

وصل جهاز استقبال الأشعة تحت الحمراء بهذا المدخل للتحكم في مضخم الصوت باستخدام وحدات التحكم عن بُعد المبرمجة. يُرجى مراجعة صفحة 12 لمعرفة الأوامر الخفية/رموز Hex.

### مخرج الأشعة تحت الحمراء

للاستخدام مع جهاز تكرر الأشعة تحت الحمراء أو الربط بمدخل أشعة تحت الحمراء على مضخمات صوت أخرى، سيتيح هذا للأجهزة المتعددة استقبال الأمر نفسه من أمر وحدة تحكم عن بُعد واحدة. على سبيل المثال يمكن استخدام أمر تشغيل/إيقاف تشغيل مصدر الطاقة للحامل كله لمضخمات صوت التثبيت بدلا من إجراء ذلك لكل جهاز على حدة.

مؤشر LED الخاص بالطاقة (مؤشر LED برتقالي اللون):

مؤشر LED بلون برتقالي خافت - وضع الاستعداد

مؤشر LED بلون برتقالي ساطع - متصل بمصدر الطاقة

مؤشر LED يومض بلون برتقالي فاتح - وضع التحديد أو التحديث

مؤشر LED الخاص بالقناة (مؤشر LED ثنائي اللون البرتقالي/الأبيض):

توقف تشغيل مؤشر LED - لا توجد إشارة

مؤشر LED بلون برتقالي - توجد إشارة

مؤشر LED بلون أبيض - القناة بها تشويش أو دخل مضخم الصوت في وضع الحماية

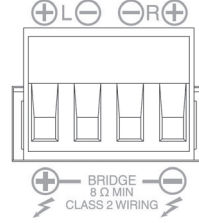
مؤشر LED يومض بلون أبيض - حماية حرارية

عند مواجهة تشويش أو أنماط مؤشر LED في حالة الوقاية الحرارية، فافض

مستوى الصوت، وإذا استمرت المشكلة، يُرجى الرجوع إلى قسم استكشاف الأعطال وإصلاحها في الصفحة 156.

## توصيل السماعات

تميز كل مضخمات الصوت بموصلات السماعات من أجل توصيل آمن بسماعاتك، هذه الموصلات قابلة للإزالة لسهولة الوصول. باستخدام مفك عادي، فك رؤوس البراغي الموجودة في أعلى السماعة وأدخل كبل السماعة حتى القياس 12 في الفتحات الأمامية. أحكم ربط رؤوس البراغي لإدخال كبل السماعة في مكانه.



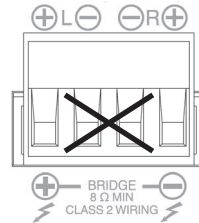
## توصيل القنوات

**تحذير: الحد الأدنى لمقاومة السماعة عند التشغيل في وضع التوصيل هو 8 أوم. لا توصّل أي سماعات في وضع التوصيل والتي تكون أقل مقاومة اعتبارية لها أقل من 8 أوم.**



1. اضبط مفتاح تحويل المنطقة على وضع التشغيل، راجع قسم نظرة عامة على التوصيلات.

2. وصل سلك "+" بالسماعة بموصل القناة اليسرى المحدد بعلامة "+" وصلك "-" بالسماعة بموصل القناة الأيمن المحدد بعلامة "-". مخرجات "-" غير مستخدمة.





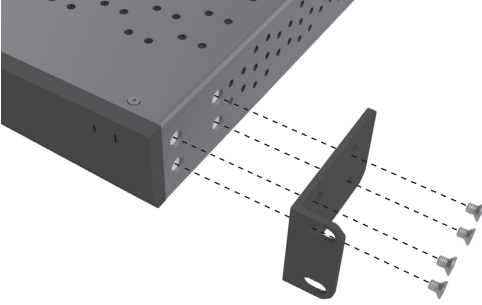


ملاحظة: ينطبق هذا القسم على طرز "Connect" فقط.

كل طراز مضخم صوت يأتي مزودًا بأربع أقدام مطاطية للاستعمال عند عدم استخدام الحامل. لتثبيت الأقدام ثبت البراغي في الفتحات الأربعة على قاعدة مضخم الصوت.

## تركيب حامل مضخم الصوت

كل طراز مضخم صوت يأتي مزودًا بمثبتات كثيفة الحامل لتثبيت مضخم الصوت على حوامل قياسية مقياس 19 بوصة. لتثبيت الكثيفات، فك البراغي الأربعة الموجودة على كل جانب من جوانب مضخم الصوت باتجاه الأمام. ضع الحجيرات على الفتحات المكشوفة واستخدم البراغي نفسها لتثبيت الكثيفات.



## توصيل مضخم الصوت بمصدر الطاقة

تأتي الطرز كلها مزودة بكبل تيار كهربائي IEC. في كل مرة يتم توصيل كبل التيار الكهربائي الخاص بمضخم الصوت والضغط على مفتاح الطاقة، فإنه يتم فصل كل مخارج القناة لمدة 12 ثانية تقريبًا وستضيء مؤشرات LED الخاصة بمؤشر القناة لفترة قصيرة أثناء تمهيد تشغيل مضخم الصوت.

ملاحظة: لا تقم بتشغيل مصدر الطاقة عند مخرج الحائط حتى

إتمام توصيل كل توصيلات الجهاز



1. وصل مضخم الصوت بمفتاح الشبكة باستخدام كبل إيثرنت. تأكد من أن جهاز الكمبيوتر ومضخم الصوت متصلان بالشبكة نفسها.
  2. شغل مضخم الصوت.
  3. سيصدر مفتاح الشبكة عنوان IP لمضخم الصوت.
  4. شغل تطبيق إيجاد عنوان IP مثل "Advanced IP Scanner" (نظام تشغيل Windows فقط)، المتوفر للتنزيل مجانًا من هنا: <https://www.advanced-ip-scanner.com>
  5. شغل "Advanced IP Scanner" (أو التطبيق المفضل) وأدخل نطاق IP الخاص بشبكتك (التي يديرها جهاز التوجيه الخاص بك) في شريط البحث بالأعلى. انقر فوق Scan (مسح) للبحث.
  6. سيحتوي عنوان IP الخاص بمضخم الصوت الموجود في القائمة على خيار قائمة منسدلة عند النقر المزوج عليها ستنتقل إلى صفحة إعداد الويب الخاصة بمضخم الصوت.
- وبدلاً من ذلك، سيكون من الممكن الوصول إلى كل عناوين IP الخاصة بالشبكة من صفحة تكوين جهاز التوجيه الخاص بك.
- بمجرد معرفة عنوان IP الخاص بمضخم الصوت فإنه يمكن إدخاله في متصفح الويب الذي تختاره لفتح إمكانية الوصول إلى بوابة الويب.

## تكوين مضخم الصوت "Connect" باستخدام بوابة الويب

### الإعدادات الأساسية

هنا يمكن تعديل معظم إعدادات مضخم الصوت العامة الأساسية وحفظها. سنستعرض من خلال القسم التالي كل وظيفة من وظائف علامة التبويب هذه.

ملاحظة: لن تكون بعض التغييرات التي أجريت في بوابة الويب مرئية حتى يتم تحديث الصفحة يدويًا أو الانتقال إلى إحدى الصفحات الأخرى.



### الشبكة (Network)

عنوان IP (IP Address) - يوضح عنوان IP الحالي المستخدم عند تشغيل DHCP. عند ضبط DHCP على وضع إيقاف التشغيل، فإن ذلك يمكنك من إدخال عنوان IP الثابت المطلوب.

قناع الشبكة الفرعية لعنوان IP (IP Subnet Mask) - يعرض قناع الشبكة الفرعية لعنوان IP المستخدم عند تشغيل DHCP. عند ضبط DHCP على وضع إيقاف التشغيل، فإن ذلك يمكنك من إدخال قناع الشبكة الفرعية لعنوان IP.

ملاحظة: عند تغيير عنوان IP أو قناع الشبكة الفرعية، يلزم إدخال عنوان IP جديد في متصفح الويب لاستعراض بوابة الويب الخاصة بمضخم الصوت مرة أخرى.



### وضع التحديد (Identification Mode)

عند تشغيل هذا الخيار فسيبدأ مؤشر LED الأمامي في الوميض، هذا مفيد لتحديد أي مضخم صوت يجري تكوينه عند استخدام مضخمات صوت متعددة.

### الطباعة (Print)

اضغط على هذا لفتح صفحة قابلة للطباعة بها كل إعدادات مضخم الصوت الحالية.

### تشغيل مصدر الطاقة (Power ON)

يمكنك هنا الاختيار من مجموعة طرق تشغيل مصدر الطاقة (المذكورة أدناه) أفضل ما يلائم تثبيتك. كما يمكن أيضًا ضبط تأخير تشغيل مصدر الطاقة من 0-20 ثانية، هذا مفيد إذا ما أردت تشغيل سلسلة مضخمات صوت بتسلسل معين.

زر الطاقة (Power Button) - يوقف تشغيل استشعار الإشارة ومقيس الجهد الكهربائي. يتم التحكم في حالة الطاقة من خلال زر الطاقة الموجود على الوحدة فقط.

وضع الصوت (Audio) - يستخدم هذا الوضع استشعار الإشارة لتشغيل مضخم الصوت. إضافة إلى ذلك، مازال الاتصال عبر الشبكة ممكنًا. في هذا الوضع، سيستهلك مضخم الصوت ما يصل إلى 2 وات في وضع الاستعداد.

مقيس الجهد الكهربائي (Voltage Trigger) - يُشغل مضخم الصوت باستخدام مقس بجهد 12 فولت.

وضع الصوت الصديق للبيئة (Audio Green) - يستخدم هذا الوضع استشعار الإشارة لتشغيل مضخم الصوت. سيعود إلى وضع الاستعداد عندما لا توجد إشارة لمدة 15 دقائق. يتم إيقاف تشغيل الشبكة في وضع الاستعداد، وللاتصال بمضخم الصوت يلزم خروجه من وضع الاستعداد. في هذا الوضع، سيستهلك مضخم الصوت ما يصل إلى 0.5 وات في وضع الاستعداد.

وضع الجهد الكهربائي الصديق للبيئة (Voltage Green) - يستخدم هذا الوضع مقيس الجهد الكهربائي لتشغيل مضخم الصوت وإيقاف تشغيله. يتم إيقاف تشغيل الشبكة في وضع الاستعداد، وللاتصال بمضخم الصوت يلزم خروجه من وضع الاستعداد. ملاحظة: في هذا الوضع، سيستهلك مضخم الصوت ما يصل إلى 0.5 وات في وضع الاستعداد.

### المعلومات

هنا يمكنك إضافة اسم لمضخم الصوت وإدخال بيانات التثبيت للرجوع إليها مستقبلاً. يُعرض طراز مضخم الصوت، وإصدار البرنامج الثابت، والرقم التسلسلي، هذه البيانات غير قابلة للتعديل.

The screenshot displays the web interface for the Connect amplifier, organized into several sections:

- Basic Settings:** Includes fields for Device Name, Device Model (A200-2C), Customer Name, Dealer Name, Installer Name, Installation Date, Firmware Version (V1.30), and Serial Number (7301281711).
- Network:** Shows DHCP status (On), IP Address (192.168.68.35), and IP Subnet Mask (255.255.255.0).
- Identification Mode:** Features a Flash Power Switch set to Off.
- Print:** Includes a Print button and a link to Print - All Settings.
- Save & Restore:** Contains Save and Restore buttons.
- Power On Method:** Shows Power On Method (Power Button) and Delay (0 Seconds).
- Load Global Preset:** Includes Active Global Preset, Select Global Preset, and Edit Preset Name.
- Import/Export Global Preset:** Features All Presets, Single Preset, and buttons for Import and Export.
- Duplicate Global Preset:** Includes From and To dropdowns and a Duplicate button.
- Reset:** Contains a Factory Reset button and a Reset button.
- Update:** Includes a Firmware Update button and an Update button.

## إعدادات الإدخال/الإخراج

هنا يمكنك تكوين مسار كل إدخال لكل إخراج محدد. يمكن أيضًا ضبط مستوى الموازنة الفردي، والوضع، والزيادة ومعلمات الصوت. هنا أيضًا حيث يمكنك تنشيط أوضاع مضخم الصوت مثل خط 70 فولت (طرز IA800-2C ققط) أو التوصيل.

**ملاحظة:** لن تكون بعض التغيرات التي أجريت في بوابة الويب مرئية حتى يتم تحديث الصفحة يدويًا أو الانتقال إلى إحدى الصفحات الأخرى.



### إعداد الإدخال

هنا يوضح قنوات الإدخال المتاحة كلها. يمكن تخصيص اسم كل إدخال وضبط مستوى الموازنة لكل قناة باستخدام +/- 6 ديسيبيل. إن مستوى الموازنة هو مستوى الإدخال قبل تضخيمه.

### إعداد الخرج

القناة (Channel) - - تُحدد قناة الخرج لتحريرها. عند اختيار قناة من القائمة المنسدلة ستُعرض أيضًا قنواتها المكافئة على القائمة المنسدلة الأخرى (مثلًا عند تحديد 1 LEFT على القائمة المنسدلة اليسرى، فيظهر 1 RIGHT في القائمة المنسدلة اليمينية).

اسم الخرج (Output Name) - الإدخال النصي لاسم خرج القناة.

وضع الاستريو/الأحادي (Stereo/ Mono) - اختيار وضع الاستريو/الأحادي لكل قناة. عند اختيار وضع الأحادي فإن قناتي الدخل اليسرى واليمينية تُجمع لاستخدام الوضع الأحادي على المخرجات المحددة.

الضبط المسبق لمعالج الإشارة الرقمية (DSP Preset) - يحدد الضبط المسبق المحفوظ لمعالج الإشارة الرقمية لتطبيقه على قناة الخرج. سيظل ذلك قابلاً للاختيار على كل قناة على حدة، ولن يرتبط مطلقًا بأزواج الاستريو.

وضع الطاقة	الطاقة في وضع الاستعداد	اتصال الشبكة في وضع الاستعداد
زر الطاقة	لا يوجد	لا يوجد
الصوت	2 وات	نعم
مقيس الجهد الكهربائي	2 وات	نعم
وضع الصوت الصديق للبيئة	0.5 وات	لا
الجهد الكهربائي الصديق للبيئة	0.5 وات	لا

### الحفظ والاستعادة (Save & Restore)

هنا يمكن حفظ الإعدادات كلها في ملف، حيث يمكن استخدامه بعد ذلك لاستعادة الإعدادات منه إذا لزم الأمر.

### تحميل الوضع مسبق الضبط العالمي

الوضع مسبق الضبط العالمي النشط (Active Global Preset) - يوضح الوضع مسبق الضبط العالمي النشط (يعرض هذا اسم الوضع مسبق الضبط العالمي النشط حاليًا، هذا ليس مربع إدخال نص) - باستخدام زر إعادة الضبط لإعادة ضبط الوضع مسبق الضبط النشط الحالي على الإعدادات الافتراضية.

اختيار الوضع مسبق الضبط العالمي (Select Global Preset) - يحدد الوضع مسبق الضبط الذي تريد تعديله ويطبقه من القائمة المنسدلة.

سيُستَظهر زر التحميل المجاور للقائمة المنسدلة الوضع مسبق الضبط المحدد ويُعد تشغيل مضخم الصوت بعد التأكد من رسالة منبقة. سيغير هذا الوضع مسبق الضبط النشط عند تحديث صفحة الويب.

تعديل اسم الوضع مسبق الضبط (Edit Preset name) - اكتب في الحقل لتعديل اسم الوضع مسبق الضبط المحدد حاليًا من القائمة المنسدلة.

### استيراد/تصدير الوضع مسبق الضبط العالمي

كل الأوضاع مسبقة الضبط (All Presets) - استيراد/تصدير كل الأوضاع مسبقة الضبط العالمية من وإلى ملف.

الوضع مسبق الضبط الفردي (Single Preset) - استيراد/تصدير وضع مسبق الضبط عالمي فردي من قائمة من وإلى ملف.

### تكرار الوضع مسبق الضبط العالمي (Duplicate Global Preset)

ينسخ الوضع مسبق الضبط العالمي "x" في الوضع المسبق العالمي "y". يمكن اختيار كليهما من القوائم المنسدلة.

### إعادة الضبط

استعادة ضبط المصنع (Factory Reset) - سيُعيد زر إعادة الضبط الإعدادات كلها وكل الأوضاع مسبقة الضبط (العالمية ومعالج الإشارة الرقمية) لإعدادات المصنع الأصلية. عند الضغط على زر الطاقة فيسيء صمام LED على مضخم الصوت، يلي ذلك إعادة التشغيل.

### التحديث

تحديث البرنامج الثابت (Firmware Update) - سببت هذا الزر البرنامج الثابت (ملف bin) الذي اختاره المستخدم. إذا كان التحديث ناجحًا فسيظهر إشعار في بوابة الويب. اتبع الرسائل المنبقة ثم أعد تشغيل مضخم الصوت وعد إلى صفحة "الإعدادات الأساسية". سيتوفر أحدث برنامج ثابت للتزليز من على موقعنا:

[monitoraudio.com](http://monitoraudio.com)

ملاحظة: نوصي بالتحقق من البرنامج الثابت عند كل تثبيت، يمكن إيجاد أحدث برنامج ثابت على موقعنا: [monitoraudio.com](http://monitoraudio.com)

منطقة التحكم (Control Zone) - تُحدد أ، ب، ج، د، ... (عدد المجموعات = عدد قنوات الخرج). تُجمع إعدادات مستوى صوت الخرج، مستوى صوت التشغيل، وكم الصوت عبر القنوات ذات نفس منطقة التحكم المحددة. للتحكم في عدة قنوات في صورة منطقة واحدة.

وضع Amp (Amp Mode) - يُحدد بين وضع الاستريو ووضع المحول. يُستخدم أيضًا لتحديد وضع 70 فولت بطراز 2C-1A800.

مستوى صوت الخرج القناة (Channel) - تُحدد قناة الخرج لتحريرها. عند اختيار قناة من القائمة المنسدلة سُعرض أيضًا قنواتها المكافئة على القائمة المنسدلة الأخرى مثلما هو موضح سابقًا. تتحكم الخيارات التالية في خرج القناة المحددة:

- مستوى صوت الخرج (Output Volume) - يرتبط هذا بقرص التحكم باللوحة الأمامية. يُغير ضبط القرص باللوحة الأمامية من القيمة على صفحة الويب (فور تحديثها). لن يتغير القرص عند ضبطه على صفحة الويب.

- تشغيل مستوى الصوت (Turn On Volume)

- كتم الصوت (Mute)

منطقة التحكم (Control Zone) - تُحدد منطقة التحكم. تتحكم الخيارات التالية في خرج المنطقة المحددة:

- الحد الأقصى لمستوى الصوت (Maximum Volume)

- وضع الزيادة (Gain Offset)

مصدر الخرج

القناة (Channel) - تُحدد قناة الخرج لتحرير المسار. عند اختيار قناة من القائمة المنسدلة سُعرض أيضًا قنواتها المكافئة على القائمة المنسدلة الأخرى مثلما هو موضح سابقًا.

المصدر 1 (Source 1) - يُحدد مصدر الخرج الأساسي لتوجيهه للقناة المحددة.

يرتبط المصدر الأساسي بالاستريو دائمًا لذا على سبيل المثال عند تحديد 1L بالنسبة للقناة اليسرى، فيستمر تحديد R1 تلقائيًا بالنسبة للقناة اليمنى

المصدر 2 (Source 2) - يُحدد مصدر الإدخال الثانوي لتوجيهه إلى القناة المحددة.

يمكن تحديد المصدر الثانوي على حدة ولا يجب ربطه بالاستريو.

تحديد المصدر (Source Select) - يختار بين مصدر الأولوية 2، والمصدر 1 فقط، أو MIX.

من خلال إجراء ذلك فإنه سيُوجه إما المصدر 1، أو المصدر 2 أو MIX (مزيج من المصدرين 1 و2) لقناة الخرج المحددة. افتراضي: المصدر 1.

في علامة تبويب تكوين DSP يمكن إجراء عمليات الضبط النهائية على الصوت باستخدام موازنة ذات معاملات بنطاق 10، ويمكن حفظها كأوضاع مسبقة الضبط، التي يمكن تصديرها واستيرادها.

ملاحظة: لن تكون بعض التغيرات التي أُجريت في بوابة الويب مرئية حتى يتم تحديث الصفحة يدويًا أو الانتقال إلى إحدى الصفحات الأخرى.



تردد الموازنة (EQ Frequency) - هذه هي نقطة المركز في النطاق الترددي الذي تطبق عنده التغييرات.

الموازنة (Q - EQ) - يتحكم عامل Q في النطاق الترددي الذي سيُهدد من خلال الموازنة (بنطاق عددي يتراوح بين 0.3-24). كلما كان عامل Q أقل، كان النطاق الترددي أوسع (وتأثرت الترددات على جانبي النقطة المركزية). كلما كان عامل Q أعلى، كان النطاق الترددي أضيق (وتأثر عدد أقل من الترددات).

موازنة - الزيادة +/ - ديسيبل (EQ - Gain +/ - dB) - زيادة أو خفض الزيادة/مستوى الصوت عند التردد المحدد.

### التحكم في الإمالة (Tilt Control)

هنا يمكن ضبط التغيير في الزيادة ليعمل ثابتاً سواء أذن من التردد المضبوط أو أعلى منه. استخدم فلتر موازنة الإمالة على الترددات المنخفضة أو العالية باستخدام الإعدادات القابلة للتكوين التالية:

تشغيل/إيقاف تشغيل الإمالة (Tilt On/ Off) - يُستخدم لتشغيل فلتر موازنة الإمالة العالي أو المنخفض لتنشيط تغيرات المعلمة المستخدمة.

التردد (Frequency) - نقطة بدء تردد ضبط فلتر الإمالة.

الزيادة (Gain) - الزيادة أو النقصان في الزيادة/مستوى الصوت.

### تقاطع الإشارة (Crossover)

هنا يمكن استخدام فلتر تقاطع إشارة التمرير العالي (HP) أو التمرير المنخفض (LP). هذا مفيد عند استخدام مضخمات الصوت السالبة (سُيستخدم فلتر التمرير المنخفض) أو الأقمار الصناعية الصغيرة التي لا يمكنها معالجة الترددات المنخفضة (فلتر التمرير العالي). اضبط فلتر التمرير المنخفض والتمرير العالي باستخدام الإعدادات القابلة للتكوين التالية:

تشغيل/إيقاف تقاطع الإشارة (Crossover On/ Off) - يُستخدم لتشغيل فلتر التمرير العالي أو المنخفض لتنشيط تغيرات المعلمة المستخدمة.

قطع التردد (Cut off Frequency) - يضبط النقطة 6- ديسيبل لكل فلتر تقاطع إشارة تمرير عالي وتمرير منخفض.

نوع الفلتر (Filter Type) - يمكن الاختيار بين 6، 12، 18، 24 ديسيبل لكل ثنائي لكل مرشح تقاطع إشارة التمرير العالي أو التمرير المنخفض. كلما كان الشكل كبيراً كانت زاوية قطع المنحنى أكثر حدة.

### التأخير (Delay)

اكتب نصاً في حقول الإدخال لتحديد التأخير إما بالملي ثانية، أو قدم، أو متر.

عند إدخال رقم في وحدة واحدة، فإن الوحدتين الأخرتين ستحتسبان تلقائياً.

### المُحدد (Limiter)

المستوى (Level) - يمكن اختيار مستوى المُحدد من بين إيقاف التشغيل، 3-ديسيبل، 6-ديسيبل، 9-ديسيبل. هذا مصمم للحد من مستوى الإشارة أعلى من الحد المضبوط، ما يمنع أي زيادة إضافية فوق هذه النقطة والضرر المحتمل لإحافه بالسماعات.

## رموز وحدة التحكم عن بُعد التي تعمل بالأشعة تحت الحمراء

طرز "Connect" فقط.

تحتوي مضخمات الصوت "Connect" على مدخل ومخرج أشعة تحت الحمراء للاستخدام مع وحدات التحكم عن بُعد العالمية. تتبع الأوامر الموجهة لمضخمات الصوت بروتوكول NEC القياسي ويمكن تنزيله من على: [monitoraudio.com](http://monitoraudio.com)

تخصيص وضع مسبق الضبط  
قناة الخرج (Output Channel) - تُحدد قناة التعديل وتحديد الوضع مسبق الضبط لمعالج الإشارة الرقمية للخرج. عند اختيار قناة من القائمة المنسدلة فسُعرض أيضاً قنواتها المكافئة على القائمة المنسدلة الأخرى المقابلة.

اسم الخرج (Output Name) - الإدخال النصي لاسم القناة. في حال تغييره هنا، فإنه سيتغير أيضاً في صفحة إعدادات الإدخال/الإخراج.

الضبط المسبق لمعالج الإشارة الرقمية (DSP Preset) - يحدد الضبط المسبق المحفوظ لمعالج الإشارة الرقمية لتطبيقه على قناة الخرج. سيظل ذلك قابلاً للاختيار على كل قناة على حدة، ولن يرتبط مطلقاً بأزواج الاستريو.

### إشارة الاختبار

قناة الخرج (Output Channel) - تُحدد قناة خرج لتوجيه إشارة الاختبار إليها. عند اختيار قناة من القائمة المنسدلة فسُعرض أيضاً قنواتها المكافئة على القائمة المنسدلة الأخرى مثلما هو موضح سابقاً.

التنبية (Stimulus) - يُحدد الضجيج الودي أو أي قناة دخل لتوجيه الخرج المحدد مؤقتاً.

Volume Level (مستوى الصوت) - يكون مستوى صوت تنبيه القناة المحددة بوحدة ديسيبل.

تشغيل/إيقاف التشغيل (On/ Off) - لتشغيل التنبية المحدد أو إيقاف تشغيله. الوضع الافتراضي على إيقاف التشغيل عندما تكون في صفحة تكوين DSP.

### استيراد/تصدير الوضع مسبق الضبط

كل الأوضاع مسبق الضبط (All Presets) - استيراد/تصدير كل الأوضاع مسبق الضبط الخاصة بمعالج الإشارة الرقمية من/إلى ملف.

وضع مسبق الضبط فردي (Single Preset) - استيراد/تصدير وضع مسبق الضبط الحالي الخاص بمعالج الإشارة الرقمية من/إلى ملف.

### تكرار الوضع مسبق الضبط

ينسخ الوضع مسبق الضبط الخاص بمعالج الإشارة الرقمية "x" في الوضع مسبق الضبط الخاص بمعالج الإشارة الرقمية "y". يمكن اختيار كليهما من القوائم المنسدلة.

تحديد/إعادة تسمية الوضع مسبق الضبط الخاص بمعالج الإشارة الرقمية

تحديد الوضع مسبق الضبط بمعالج الإشارة الرقمية (Select DSP Preset) - سيخزن الوضع مسبق الضبط المحدد تلقائياً أي تغييرات على إعدادات الموازنة في الإعدادات التالية.

تعديل اسم الوضع مسبق الضبط (Edit Preset Name) - اكتب نصاً في حقل الإدخال لتغيير الوضع مسبق الضبط لاسم مخصص.

إعادة الضبط (Reset) - يُعيد ضبط كل أسماء الوضع مسبق الضبط المحدد حالياً وإعداداته لترجع إلى الإعدادات الافتراضية.

### الرسم البياني للموازنة (EQ Graph)

يوضح منحى إعدادات الموازنة.

### معلمة الموازنة (EQ Parameter)

10 نطاقات للموازنة ذات المعلومات باستخدام إعدادات التكوين التالية:

تشغيل/إيقاف تشغيل الموازنة (EQ - On/ Off) - يُستخدم لتشغيل نطاق التردد لتنشيط تغيرات المعلمة المطبقة.

## مؤشرات LED معطلة:

مؤشر LED أبيض اللون - القناة بها تشويش/ في وضع الحماية

عندما تكون إشارة الإدخال عالية جداً فإن صمام LED الخاص بالقناة سيضيء باللون الأبيض. إذا حدث ذلك فاقفص إما مستوى الموازنة على مضخم الصوت أو اخفض مستوى الصوت مصدر الصوت.

مؤشر LED يومض بلون أبيض - حماية حرارية

إذا حدث هذا فإننا نوصي بإيقاف تشغيل مضخم الصوت وتركه حتى يبرد ويصل لدرجة حرارة الغرفة قبل توصيله بمصدر الطاقة وتشغيله مرة أخرى.

## أعطال أخرى:

لا يعمل عند التوصيل بالطاقة

إذا لم يعمل عند تشغيل مضخم الصوت فتتحقق من الصمام داخل المقبس (إن أمكن) والصمام الداخلي بمضخم الصوت، راجع نظرة عامة على التوصيلات في صفحة 147.

## لا يصدر صوت

تأكد من التحقق من كل التوصيلات والكابلات، إذا كان مضخم الصوت من طراز "Connect"، فتأكد من أن القنوات موجهة بطريقة صحيحة ولم يتم كتم الصوت بها.

إذا تم تكوين مضخم الصوت في وضع التوصيل فتأكد من تكوين المفاتيح/الإعدادات وتوصيل الأسلاك بطريقة صحيحة.

إذا استمر الجهاز في عدم إخراج إشارة أو ما زال وضع الأعطال قائماً، فإنه يُرجى الاتصال بالوكيل المحلي/الموزع أو شركة Monitor Audio على الفور.

إن كلاً من صناعة هذا المنتج وأدائه مضمونان ضد عيوب التصنيع لمدة خمس سنوات من تاريخ الشراء (راجع الشروط المذكورة في كتيب تعليمات السلامة المهمة)، شريطة أن يكون المنتج مستورداً من خلال بائع التجزئة المرخص من Monitor Audio ويخضع لاتفاقية البيع للمستهلك.

لمساعدتنا على العثور على بيانات ضمان المنتج الخاصة بك في قاعدة بيانات عملائنا عند الحاجة، يرجى تسجيل المنتج (المنتجات) الخاص بك عبر الإنترنت على الموقع

التالي: [monitoraudio.com](http://monitoraudio.com)

## معلومات المالك

بيانات المنتج

الطراز: \_\_\_\_\_

الرقم التسلسلي للمنتج: \_\_\_\_\_

تاريخ الشراء: \_\_\_\_\_

بيانات الوكيل

اسم الوكيل: \_\_\_\_\_

العنوان: \_\_\_\_\_

\_\_\_\_\_

الرمز البريدي: \_\_\_\_\_

عنوان البريد الإلكتروني: \_\_\_\_\_

2-IA150	12-IA60	2C-IA200	8C-IA150	2C-IA800	الطراز:
لا يوجد	لا يوجد	نعم	نعم	نعم	التوصيل بوحدة تكمّر IP
2 (زوج استريو واحد)	12 (6 أزواج استريو)	2 (زوج استريو واحد)	8 (4 أزواج استريو)	2 (زوج استريو واحد)	رقم القناة
150 وات	60 وات	200 وات	150 وات	800 وات	4 أوم
100 وات	45 وات	150 وات	140 وات	500 وات	8 أوم
320 وات (قناة واحدة)	100 وات (6 قنوات)	470 وات (قناة واحدة)	300 وات (4 قنوات)	2000 وات (قناة واحدة)	التوصيل (8 أوم)
لا يوجد	لا يوجد	لا يوجد	لا يوجد	800 وات (قناتين)	70 فولت
20 كيلو أوم					مقاومة الدخل
600 أوم					مقاومة الخرج (دائرة RCA)
100 ملي فولت/1 وات - 1000 ملي فولت طاقة كاملة	100 ملي فولت/1 وات - 700 ملي فولت طاقة كاملة	100 ملي فولت/1 وات - 1230 ملي فولت طاقة كاملة	100 ملي فولت/1 وات - 1140 ملي فولت طاقة كاملة	100 ملي فولت/1 وات - 2200 ملي فولت طاقة كاملة	حساسية الإدخال
2.9 فولت					أقصى جهد كهربي للإدخال (جذر متوسط مربع)
100-ديسيبل (20هرتز - 20كيلو هرتز)					الإشارة بالنسبة إلى الضجيج (SN:R)
5 هرتز - 50 كيلو هرتز					استجابة التردد (3- ديسيبل)
0.03% @ 1 وات					إجمالي التشوه في الجهد (إجمالي التشوه في الجهد + 1@N كيلوهرتز)
1U	2U	1U	2U		ارتفاع الحامل
42.4 × 438 × 427 مم 1 <sup>16/11</sup> × 17 <sup>4/1</sup> × 16 <sup>16/13</sup> بوصة	86.8 × 438 × 427 مم 3 <sup>16/7</sup> × 17 <sup>4/1</sup> × 16 <sup>16/13</sup> بوصة	42.4 × 438 × 427 مم 1 <sup>16/11</sup> × 17 <sup>4/1</sup> × 16 <sup>16/13</sup> بوصة	86.8 × 438 × 438 مم 3 <sup>16/7</sup> × 17 <sup>4/1</sup> × 16 <sup>16/13</sup> بوصة		الأبعاد غير مزود بأقدام (الطول × العرض × العمق)
52.8 × 438 × 427 مم 2 <sup>16/1</sup> × 17 <sup>4/1</sup> × 16 <sup>16/13</sup> بوصة	97.2 × 438 × 427 مم 3 <sup>16/13</sup> × 17 <sup>4/1</sup> × 16 <sup>16/13</sup> بوصة	52.8 × 438 × 427 مم 2 <sup>16/1</sup> × 17 <sup>4/1</sup> × 16 <sup>16/13</sup> بوصة	97.2 × 438 × 438 مم 3 <sup>16/13</sup> × 17 <sup>4/1</sup> × 16 <sup>16/13</sup> بوصة		الأبعاد مزود بأقدام (الطول × العرض × العمق)
482 مم 19 بوصة					العرض بما في ذلك كثيفات الحامل
5.29 كجم (11 رطل 10 أوقيات)	7.34 كجم (16 رطل أوقيتين)	5.3 كجم (11 رطل 10 أوقيات)	7.45 كجم (16 رطل 6 أوقيات)	9.2 كجم (20 رطل 4 أوقية)	الوزن
لا يوجد	لا يوجد	100/TCP/IP (RJ-45) قاعدة T			اتصال IP
100-120 فولت@ 60 هرتز، 220-240 فولت@50 هرتز					جهد دخل التيار الكهربي
5 أمبير (250 ~ T5AL فولت تيار متردد)	10 أمبير (250 ~ T10AL فولت تيار متردد)	5 أمبير (250 ~ T5AL فولت تيار متردد)	10 أمبير (250 ~ T10AL فولت تيار متردد)	15 أمبير (250 ~ T15AL فولت تيار متردد)	تصنيف المنصهر
0.5 وات (الوضع الصديق للبيئة) / >2 وات					استهلاك الطاقة في وضع الاستعداد

تحتفظ Monitor Audio بحقها في تغيير المواصفات دون إشعار.

# Spis treści



Wstęp	158	Zasilanie wzmacniacza	163
Schemat połączeń	159	Połączenie z siecią	163
IA150-2	159	Konfiguracja wzmacniacza „Connect” przy użyciu strony WWW.	164
IA60-12	159	Podstawowe ustawienia	164
IA200-2C	160	Ustawienia wejścia/wyjścia	165
IA150-8C	160	Konfiguracja DSP	166
IA800-2C	161	Kody zdalnego sterowania podczerwienią	168
Opis połączeń	161	Rozwiązywanie problemów	168
Wskaźnik LED	162	Gwarancja	168
Podłączenie głośników	162	Informacje dotyczące właściciela	168
Kanały mostkowe	162	Dane techniczne	169
Stopki	163		
Montowanie wzmacniacza w szafie rack	163		

## Wstęp

Wprowadzamy wzmacniacze instalacyjne Monitor Audio, zbudowane z myślą o większej wydajności i mniejszej ilości zajmowanego miejsca, wyposażone w najnowocześniejszą technologię zapewniającą najlepszą jakość dźwięku w każdym projekcie instalacyjnym.

Wielokanałowe wzmacniacze o mocy do 2000 W odnajdują się w szerokim zakresie zastosowań w przestrzeni mieszkalnej i budynkach komercyjnych.

Istnieje możliwość pogrupowania lub zmostkowania kanałów audio w celu stworzenia elastycznych instalacji, które można konfigurować do 12 kanałów.

Wybraliśmy światowej klasy wzmacniacze Hypex, aby zagwarantować niezawodność i doskonałą jakość dźwięku, której oczekujesz od Monitor Audio, zredukowaną do smukłych, wysokich obudów 1U i 2U, które pasują do większości szaf rack, zapewniając jednocześnie 93% energooszczędności.

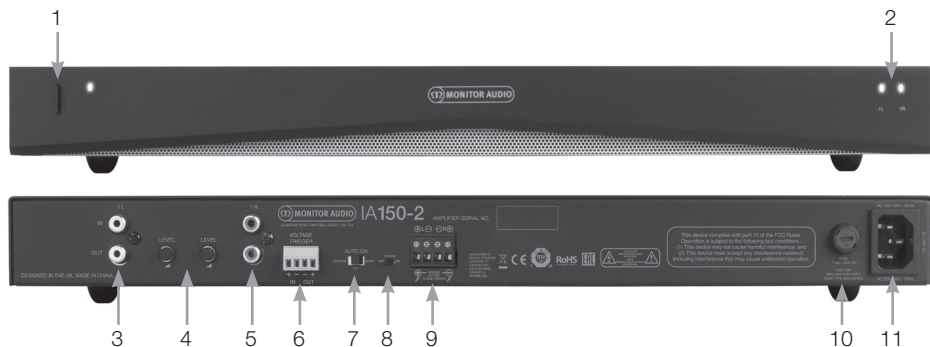
Wszystkie wzmacniacze posiadają pełną łączność z prostym wyzwalaczem napięciowym lub czujnikiem sygnału.

Wzmacniacze "Connect" posiadają bardziej złożony układ sterowania DSP i IP, oferujący większą elastyczność i integrację.



# Schemat połączeń

## IA150-2



### PANEL PRZEDNI

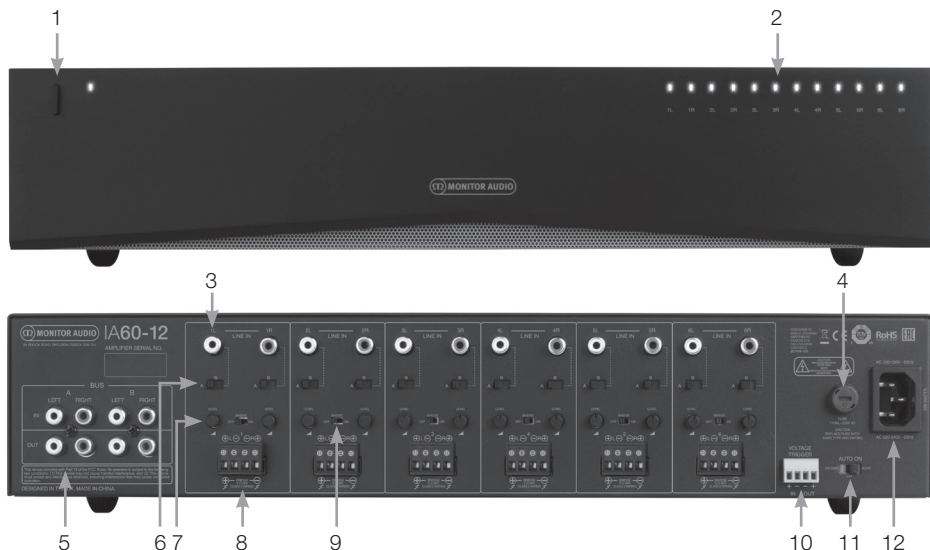
1. Włącznik
2. Wskaźnik kanału LED

### PANEL TYLNY

3. Wejście/wyjście RCA kanału lewego
4. Sterowanie poziomu głośności
5. Wejście/wyjście RCA kanału prawego

6. Wejście/wyjście wyzwalające
7. Włącznik automatyczny
8. Przełącznik mostkowy Wł./Wyt.
9. Złącze blokowe głośnika
10. Uchwyt bezpiecznika AC

## IA60-12



### PANEL PRZEDNI

1. Włącznik
2. Wskaźnik kanału LED

### PANEL TYLNY

3. Wejścia RCA kanału
4. Uchwyt bezpiecznika AC
5. Wejścia/Wyjścia Bus RCA
6. Przełącznik wejścia kanału
7. Sterowanie poziomu głośności

8. Złącze blokowe głośnika
9. Przełącznik mostkowy Wł./Wyt.
10. Wejście/wyjście wyzwalające
11. Włącznik automatyczny
12. Podłączenie przewodu

## IA200-2C



### PANEL PRZEDNI

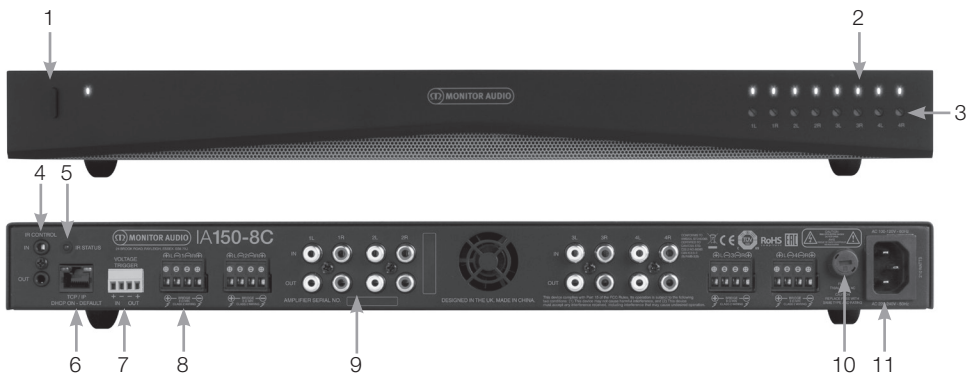
1. Włącznik
2. Wskaźnik kanału LED
3. Pokrętko regulacji głośności na wyjściu

### PANEL TYLNY

4. Wejście i wyjście sterowania podczerwianią (IR)
5. Kontrolka LED stanu podczerwieni (IR)
6. Wejście/wyjście RCA kanału

7. Wejście/wyjście napięcia wyzwalającego
8. Port Ethernet (RJ-45)
9. Złącze blokowe głośnika
10. Uchwyt bezpiecznika AC
11. Podłączenie przewodu

## IA150-8C



### PANEL PRZEDNI

1. Włącznik
2. Wskaźnik kanału LED
3. Pokrętko regulacji głośności na wyjściu

### PANEL TYLNY

4. Wejście i wyjście sterowania podczerwianią (IR)
5. Kontrolka LED stanu podczerwieni (IR)
6. Port Ethernet (RJ-45)

7. Wejście/wyjście napięcia wyzwalającego
8. Złącze blokowe głośnika
9. Wejście/wyjście RCA kanału
10. Uchwyt bezpiecznika AC
11. Podłączenie przewodu

# IA800-2C



## PANEL PRZEDNI

1. Włacznik
2. Wskaźnik kanału LED
3. Pokrętko regulacji głośności na wyjściu

## PANEL TYLNY

4. Złącze blokowe głośnika
5. Wejście/wyjście RCA kanału
6. Wejście/wyjście napięcia wyzwalającego
7. Wejście/wyjście sterowania

podczerwień (IR)

8. Kontrolka LED stanu podczerwień (IR)
9. Port Ethernet (RJ-45)
10. Uchwyt bezpiecznika AC
11. Podłączenie przewodu

## Opis połączeń

### Uchwyt bezpiecznika AC

W tej komorze znajduje się wewnętrzny bezpiecznik wzmacniacza. Jeżeli bezpiecznik wymaga wymiany, można go otworzyć za pomocą płaskiego przedmiotu, takiego jak śrubokręt i obrócić w kierunku przeciwnym do ruchu wskazówek zegara.

Odpowiednią specyfikację bezpieczników można znaleźć w informacji wydrukowanej na produkcie poniżej uchwytu bezpiecznika.

### Włacznik

Jest to główny wyłącznik zasilania wzmacniacza. W przypadku długich okresów niekorzystania ze wzmacniacza należy upewnić się, że znajduje się on w pozycji wyłączzonej.

### Regulacja głośności na wyjściu

Wyłącznie modele „Connect”.

W celu zwiększenia lub zmniejszenia poziomu głośności urządzenia wyjściowego należy użyć małego, płaskiego śrubokręta. Łączy się on z opcją „Output Volume” (Głośność na wyjściu) na stronie internetowej. Patrz strona 166.

W przypadku przycinania/zniekształcania (zgodnie ze wskazaniem kontrolki kanału LED na panelu przednim) należy obrócić w lewo, natomiast w celu uzyskania większej głośności - w prawo.

### Wejścia RCA kanału

Lewe i prawe złącza stereo RCA do podłączenia źródeł audio. Modele wyposażone w większą liczbę kanałów, jak np. IA60-12, posiadają więcej wejść, co umożliwi uzyskanie większej liczby kanałów wyjściowych.

### Wyjścia RCA kanału

Lewe i prawe złącza stereo RCA służą do podłączenia zewnętrznych urządzeń odtwarzających, takich jak aktywne subwoofery lub dodatkowe wzmacniacze.

### Kontroler poziomu głośności

Wyłącznie modele IA150-2 i IA60-12.

Służy do zwiększania lub zmniejszania poziomu głośności dźwięku. Jeżeli głośniki przycinają należy zmniejszyć poziom głośności, a zwiększyć gdy poziom głośności na wyjściu jest zbyt niski.

### Port Ethernet (RJ-45)

Wyłącznie modele „Connect”.

Służy do podłączenia do sieci za pomocą kabla. Po podłączeniu wzmacniacz będzie widoczny w sieci na innych urządzeniach. Na stronie 164 znajduje się więcej informacji dotyczących konfiguracji wzmacniacza „Connect”.

## Wejście i wyjście wyzwalające

Wyzwalacz można podłączyć do wejścia/wyjścia innego urządzenia. Wzmacniacz będzie włączał się i wyłączał wraz z urządzeniem podłączonym poprzez wejście. Urządzenie podłączone do wyjścia wzmacniacza będzie włączało się i wyłączało się razem z nim.

## Włącznik automatyczny

Wyłącznie modele IA150-2 i IA60-12.

Dostępne są trzy rodzaje ustawień: Voltage (napięcie), Audio i Off (wyłączony). Przy ustawieniu Voltage wzmacniacz zostanie wybudzony ze stanu czuwania za pomocą wyzwalacza. Ustawienie Audio wybudza wzmacniacz ze stanu czuwania po wykryciu sygnału audio. Wzmacniacz powróci do stanu czuwania po 15-minutowym braku sygnału. Przy ustawieniu Off wzmacniacz włącza się i wyłącza tylko ręcznie.

## Przełącznik mostkowy

Wyłącznie modele IA150-2 i IA60-12.

Przy aktywowanym trybie włączania lub wyłączania połączenia mostowego, dwa wyjścia są ze sobą łączone w celu uzyskania większej mocy wyjściowej.

## Wejścia Bus RCA

Wyłącznie model IA60-12.

Lewe i prawe wejścia stereo RCA do podłączenia źródeł audio. W przeciwieństwie do złączy kanału RCA, wejścia Bus RCA mogą być kierowane do wielu kanałów wyjściowych.

## Wyjścia Bus RCA

Wyłącznie model IA60-12.

Lewe i prawe wyjścia stereo RCA. Wyjścia można wykorzystywać, jeśli użytkownik chce podłączyć szeregowo sygnał wejścia Bus do zewnętrznych urządzeń/dodatkowych wzmacniaczy.

## Przełącznik Bus

Wyłącznie model IA60-12.

Należy wybrać na wzmacniaczu wejście źródła audio dla kanału.

## Złącze blokowe głośnika

Obsługuje kable o średnicy do 12 AWG do podłączenia głośników. Patrz: następna kolumna na tej stronie.

## Wejście IR

Podłączenie odbiornika podczerwieni do tego wejścia umożliwi sterowanie wzmacniaczem za pomocą programowalnych pilotów. Niejawne polecenia/kody szesnastkowe przedstawiono na stronie 168.

## Wyjście IR

W przypadku stosowania ze wzmacniaczem podczerwieni lub podłączeniem do wejścia IR na innych wzmacniaczach, wyjście IR pozwoli wielu urządzeniom na otrzymanie tego samego, pojedynczego polecenia zdalnego.

Na przykład jedną komendę włączania/wyłączania można użyć dla całej szafy wzmacniaczy instalacyjnych, a nie pojedynczo.

## Wskaźnik LED

Dioda zasilania (pomarańczowa dioda LED):

Przyćmiiony pomarańcz - tryb czuwania

Żywy pomarańcz - zasilanie włączone

Migający żywy pomarańcz - tryb identyfikacji lub aktualizacja Wskaźnik LED kanału (dwukolorowa dioda LED pomarańcz/ biały)

Wskaźnik LED wyłączony - brak sygnału

Pomarańczowa dioda LED - wykryty sygnał

Biała dioda LED - kanał przecina lub wzmacniacz przeszedł w tryb ochrony

Migająca biała dioda LED - ochrona przed przegrzaniem

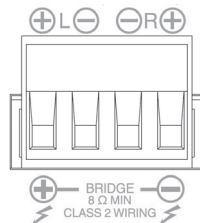
Jeśli podczas zacinania lub trybu pracy diody LED wskazują na ochronę przed przegrzaniem, należy

## Podłączenie głośników

Wszystkie wzmacniacze są wyposażone w złącza blokowe dla bezpiecznego podłączenia do głośników. Są one demontowalne w celu zapewnienia łatwego dostępu.

Za pomocą śrubokrętu płaskiego poluzować łąby śrub na górze bloku głośnika i włożyć kabel głośnikowy o średnicy do 12 AWG w przednie otwory.

Dokręcić łąby śrub, aby zamocować kabel głośnika na miejscu.

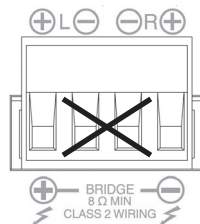


## Kanały mostkowe



**mostkowe UWAGA: Minimalna impedancja głośnika w układzie mostkowym wynosi 8 omów. Nie podłączać głośników w trybie mostkowym o impedancji znamionowej poniżej 8 Ohm.**

1. Ustawić przełącznik BRIDGE wejścia w pozycji ON (Wł.), patrz sekcja Schemat połączeń.
2. Podłączyć przewód "+" głośnika do złącza kanału lewego oznaczonego "+", a przewód głośnika "-" do złącza kanału prawego oznaczonego "+". Wyjścia "-" nie są używane.



## Stopki

Każdy model wzmacniacza jest dostarczany z czterema gumowymi nóżkami, które stosowane są, gdy wzmacniacza nie montuje się w szafie rack.

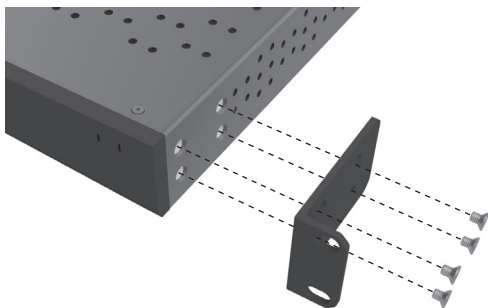
W celu zamocowania nóżek wystarczy wkręcić je do czterech gwintowanych wkładek umieszczonych na podstawie wzmacniacza.

## Montowanie wzmacniacza w szafie rack

Każdy model wzmacniacza jest dostarczany z mocowaniami wspornika szafy rack służącymi do montażu wzmacniacza w standardowej 19" szafie rack.

W celu zamontowania wsporników, wystarczy odkręcić 4 śruby z każdej strony wzmacniacza.

Umieścić wsporniki na odsłoniętych otworach i przykręcić je tymi samymi śrubami.



## Zasilanie wzmacniacza

All models are supplied with an IEC mains cable. Each time the amplifier's mains cable is initially plugged in and the power switch is turned ON, all channel outputs are disconnected for approximately 12 seconds and all Channel Indicator LEDs will illuminate briefly while the amp boots up.



**UWAGA: Nie włączać zasilania w gnieździe ściennym dopóki nie zostaną wykonane wszystkie połączenia systemowe.**

## Połączenie z siecią



**UWAGA: Ten rozdział ma zastosowanie wyłącznie do modeli „Connect”.**

1. Podłączyć wzmacniacz do przełącznika sieciowego za pomocą kabla Ethernet. Należy upewnić się, że komputer i wzmacniacz znajdują się w tej samej sieci.
2. Włączyć wzmacniacz.
3. Wzmacniacz otrzyma adres IP za pośrednictwem przełącznika sieciowego.
4. Uruchomić aplikację do wyszukiwania adresów IP, taką jak "Advanced IP Scanner" (tylko Windows), którą można bezpłatnie pobrać tutaj: <https://www.advanced-ip-scanner.com>
5. Uruchomić "Advanced IP Scanner" (lub preferowaną aplikację) i wprowadzić zakres IP sieci (zarządzany przez router) na pasku wyszukiwania znajdującym się na górze.

Kliknąć Scan (Skanuj), aby wyszukać.

6. Adres IP wzmacniacza na liście będzie miał opcję rozwijaną, która po dwukrotnym kliknięciu przeniesie użytkownika na stronę konfiguracyjną wzmacniacza.

Alternatywnie, wszystkie sieciowe adresy IP będą dostępne na stronie konfiguracji routera.

Po rozpoznaniu adresu IP wzmacniacza można go wprowadzić do wybranej przeglądarki

internetowej, aby otworzyć stronę WWW.

# Konfiguracja wzmacniacza „Connect” przy użyciu strony WWW.

## Podstawowe ustawienia

Z tego poziomu można edytować i zapisywać podstawowe ustawienia wzmacniacza. Poniższy rozdział dostarcza informacje o każdej z funkcji znajdujących się w tej zakładce.



**UWAGA: Niektóre zmiany dokonane na stronie WWW nie będą widoczne do momentu ręcznego odświeżenia strony lub przejścia do innej strony.**

The screenshot shows the 'Basic Settings' tab of the amplifier's web interface. It includes sections for:

- Information:** Fields for Device Name, Device Model (IA200-2C), Customer Name, Dealer Name, Installer Name, Installation Date, Firmware Version (V1.30), and Serial Number (7301281711).
- Power On Method:** Selects 'Power Button' and a delay of '0 Seconds'.
- Load Global Preset:** Shows 'Active Global Preset' and 'Global Preset1' with 'Reset' and 'Load' buttons.
- Import/Export Global Preset:** Buttons for 'Import' and 'Export' for 'All Presets' and 'Single Preset'.
- Reset:** A 'Factory Reset' button.
- Update:** A 'Firmware Update' button.
- Network:** Shows DHCP is 'On', IP Address is '192.168.68.35', and IP Subnet Mask is '255.255.255.0'.
- Identification Mode:** A 'Flash Power Switch' set to 'Off'.
- Print & Save & Restore:** Buttons for 'Print - All Settings', 'Save', and 'Restore'.

## Information (Informacja)

W tym miejscu można dodać nazwę wzmacniacza i wprowadzić szczegóły instalacji w celu uzyskania dalszych informacji. Tutaj wyświetlany jest model wzmacniacza, wersja oprogramowania sprzętowego i numer seryjny. Dane te nie są edytowalne.

## Network (Sieć)

IP Address (Adres IP) – Wyświetla aktualny adres IP przy włączonym (ON) protokole DHCP. Jeśli opcja DHCP jest ustawiona na OFF (Wył.), możliwe jest wprowadzenieżądanego statycznego adresu IP.

IP Subnet Mask (Maska podsięci IP) - Pokazuje aktualną maskę podsięci IP używaną po włączeniu protokołu DHCP. Jeśli opcja DHCP jest ustawiona na OFF, możliwe jest wprowadzenieżądanymaski podsięci IP.



**UWAGA: W przypadku zmiany adresu IP lub maski podsięci, nowy adres IP będzie musiał zostać wprowadzony do przeglądarki internetowej w celu ponownego obejrzenia strony internetowej wzmacniacza.**

## Identification Mode (Tryb identyfikacji)

Po włączeniu tej opcji dioda LED zasilania na panelu przednim zacznie migać.

Jest ona przydatna w celu określenia, który wzmacniacz jest konfigurowany, gdy używany jest więcej niż jeden wzmacniacz.

## Print (Druk)

Naciśnięcie tej opcji otwiera gotową do wydrukowania stronę zawierającą wszystkie aktualne ustawienia wzmacniacza.

## Power ON (Zasilanie włączone)

Tutaj można wybrać spośród wybranych metod włączania zasilania (opisanych poniżej), które najlepiej pasują do danej instalacji.

Można tu także ustawić opóźnienie załączenia zasilania w zakresie od 0-20 sekund, co jest przydatne w przypadku, gdy seria wzmacniaczy ma być włączana w określonej sekwencji.

Power Button (Przycisk zasilania) - Wyłącza czułość sygnału i wykrywanie wyzwalania napięcia.

Stan zasilania jest kontrolowany wyłącznie przez przycisk zasilania znajdujący się na urządzeniu.

Audio - Tryb ten wykorzystuje wykrywanie sygnału do włączenia wzmacniacza.

Ponadto nadal możliwa jest komunikacja przez sieć. W tym trybie wzmacniacz zużywa do 2W mocy w trybie czuwania.

Voltage Trigger (Wyzwalacz napięcia) - Włącza wzmacniacz za pomocą 12V wyzwalacza napięcia.

Audio Green (Tryb audio energooszczędny) - Tryb ten wykorzystuje wykrywanie sygnału do włączenia wzmacniacza. Wzmacniacz powróci do stanu czuwania po 15-minutowym braku sygnału. Komunikacja sieciowa jest wyłączona, gdy wzmacniacz znajduje się w trybie czuwania. Wzmacniacz należy wybudzić z trybu czuwania, aby komunikacja była możliwa. W tym trybie wzmacniacz zużywa do 0,5W mocy w trybie czuwania.

Voltage Green (Tryb wyzwalacza napięcia energooszczędny) - Tryb ten wykorzystuje wyzwalacz napięcia do włączenia wzmacniacza. Komunikacja sieciowa jest wyłączona, gdy wzmacniacz znajduje się w trybie czuwania. Wzmacniacz należy wybudzić z trybu czuwania, aby komunikacja była możliwa. UWAGA: W tym trybie wzmacniacz zużywa do 0,5W mocy w trybie czuwania.

	Moc w trybie czuwania	Połączenie z siecią w trybie czuwania
<b>Włącznik</b>	Nd.	T/E
<b>Audio</b>	2W	Tak
<b>Wyzwalacz napięcia</b>	2W	Tak
<b>Audio energooszczędny</b>	0,5W	Nie
<b>Wyzwalacz napięcia energooszczędny</b>	0,5W	Nie

## Save & Restore (Zapisywanie i przywracanie ustawień)

W tym miejscu wszystkie ustawienia można zapisać w pliku, który może być następnie wykorzystany do przywrócenia ustawień, w razie potrzeby.

Ładowanie globalnych ustawień zadanych

Active Global Preset (Ładowanie globalnych ustawień zadanych) - Wyświetla aktywne bieżące globalne ustawienia zadane (wyświetla nazwę aktualnie aktywnych ustawień zadanych, nie jest to okno wprowadzania tekstu) - za pomocą przycisku reset można zresetować bieżące aktywne ustawienia zadane do ustawień domyślnych.

Select Global Preset (Wybór ustawień zadanych) - Umożliwia wybór z listy rozwijanej ustawień zadanych, które mają być edytowane lub zastosowane.

Przycisk ładowania znajdujący się obok menu rozwijanego uruchamia wybrane ustawienia zadane i ponownie uruchamia wzmacniacz po potwierdzeniu w wyskakującym okienku dialogowym.

Aktywne globalne ustawienia zadane zmieniają się po odświeżeniu strony internetowej.

Edit Preset name (Edytuj nazwę ustawień zadanych)

- Pole tekstowe do edycji nazwy aktualnie wybranych ustawień zadanych z rozwijanego menu.

## Import/eksport zadanych ustawień globalnych

All Presets (Wszystkie ustawienia zadane) - Importowanie/eksportowanie wszystkich globalnych ustawień zadanych do/z pliku.

Single Presets (Pojedyncze ustawienia zadane) -

Importowanie/eksportowanie pojedynczych globalnych ustawień zadanych do/z pliku.

Kopiowanie globalnych ustawień zadanych Kopiuje globalne ustawienia zadane „X” do globalnych ustawień zadanych „Y”. Oba zestawy ustawień można wybrać z rozwijanego menu.

## Resetowanie

Factory Reset (Reset fabryczny) - Przycisk resetowania przywraca wszystkie ustawienia i wszystkie ustawienia zadane (globalne i DSP) do oryginalnych ustawień fabrycznych. Po naciśnięciu przycisku dioda LED zasilania na wzmacniaczu zacznie migać, po czym nastąpi ponowne uruchomienie.

## Aktualizacja

Firmware Update (Aktualizacja oprogramowania) - przycisk ten zainstaluje wybrane przez użytkownika oprogramowanie (plik .bin).

Jeśli aktualizacja zakończy się powodzeniem, powiadomienie pojawi się na stronie internetowej. Należy wykonywać polecenia, aby ponownie uruchomić

wzmacniacz i powrócić do strony "Basic Setting" (Ustawienia podstawowe). Najnowsza wersja oprogramowania będzie dostępna do pobrania na naszej stronie internetowej: [monitoraudio.com](http://monitoraudio.com)

UWAGA: Zalecamy sprawdzanie dostępności nowej wersji oprogramowania przy każdej instalacji. Najnowsza wersja oprogramowania znajduje się na naszej stronie internetowej: [monitoraudio.com](http://monitoraudio.com).

## Ustawienia wejścia/wyjścia

Tutaj można skonfigurować trasowanie dla każdego wejścia do wybranego wyjścia. Z tego poziomu można ustawiać indywidualny poziom trymowania, tryb, przesunięcie wzmocnienia oraz parametry głośności.

W tym miejscu można również aktywować tryby wzmacniacza, takie jak linia 70V (tylko model IA800-2C) lub mostek.



**UWAGA: Niektóre zmiany dokonane na stronie WWW nie będą widoczne do momentu ręcznego odświeżenia strony lub przejścia do innej strony.**

The screenshot shows the 'Input Setup' section with four input channels: 1 LEFT, 1 RIGHT, 2 LEFT, and 2 RIGHT. Below them are 'Input Name' and 'Trim Level dB' settings. The 'Output Setup' section includes 'Channel' (1 LEFT, 1 RIGHT), 'Output Name', 'Stereo/Mono', 'DSP Preset', 'Control Zone', and 'Amp Mode'. The 'Output Volume' section shows 'Channel', 'Output Volume', 'Turn On Volume', 'Mute', and 'Control Zone' settings. The 'Output Source' section includes 'Channel', 'Source 1', 'Source 2', and 'Source Select' options.

## Ustawienia wejścia

Wyświetlane są tutaj wszystkie dostępne kanały wejściowe. Każdą nazwę wejścia można dostosować do własnych potrzeb, a poziom trymera można dostosować dla każdego kanału o +/-6dB.

Poziom trymowania to poziom wejściowy przed wzmocnieniem.

## Ustawienia wyjścia

Channel (Kanał) - Wybieranie kanału wyjściowego w celu edycji. W przypadku wybrania kanału z rozwijanego menu, na drugim rozwijanym kanale zostaną również pokazane jego odpowiedniki. (tzn. jeśli wybrany jest 1 LEWY w lewym menu rozwijanym, 1 PRAWY pojawi się w prawym menu).

Output Name (Nazwa wyjścia) - Pole tekstowe do rowadzenia nazwy kanału wyjściowego. celu edycji.

W przypadku wybrania kanału z rozwijanego menu, na drugim rozwijanym kanale zostaną również pokazane jego odpowiedniki. (tzn. jeśli wybrany jest 1 LEWY w lewym menu rozwijanym, 1 PRAWY pojawi się w prawym menu).

Output Name (Nazwa wyjścia) – Pole tekstowe do wprowadzenia nazwy kanału wyjściowego.

Stereo/ Mono – Wybór Stereo/ Mono dla każdego kanału. Przy ustawieniu Mono wybrane kanały wejściowe L & R są sumowane do mono na wybranych wyjściach.

DSP Preset (ustawienia zadane DSP) - Zaznacza zapisaną wartość DSP Preset, aby zastosować ją do kanału wyjściowego. Na każdym kanale zawsze można wybrać takie ustawienie indywidualnie, bez konieczności łączenia par stereofonicznych.

Control Zone (Strefa sterowania) - Wybieranie A, B, C, D,... (Liczba grup = liczba kanałów wyjściowych).

Umożliwia pogrupowanie ustawień Głośność na wyjściu, Włączanie głośności i Włączanie wyciszenia w kanałach, które mają wybraną tę samą strefę sterowania. Służy do sterowania kilkoma kanałami jako jedną strefą.

Amp Mode (Tryb wzmacniacza) - Wybieranie pomiędzy trybem Stereo i Bridged (mostkowym). Służy również do wyboru trybu 70V w modelu IA800-2C.

## Regulacja głośności na wyjściu

Channel (Kanał) - Wybieranie kanału wyjściowego w celu edycji. W przypadku wybrania kanału z rozwijanego menu, na drugim rozwijanym kanale zostaną również pokazane jego odpowiedniki, jak wyżej. Następujące opcje sterują wybranymi wyjściami stref nagłośnieniowych:

- Głośność na wyjściu - jest połączona z pokrętkiem sterującym z przodu. Ustawienie pokrętki z przodu zmienia wartość na stronie WWW (po odświeżeniu). pokrętło nie zmienia pozycji po ustawieniu na stronie internetowej.

- Włączanie głośności.

- Wyciszenie

Control Zone (Strefa sterowania) - Wybieranie strefy sterowania. Następujące opcje sterują wybranymi wyjściami stref nagłośnieniowych:

- Głośność maksymalna

- Przesunięcie wzmocnienia

## Źródło wejścia

Channel (Kanał) - Wybieranie kanału wyjściowego w celu edycji trasowania. W przypadku wybrania kanału z rozwijanego menu, na drugim rozwijanym kanale zostaną również pokazane jego odpowiedniki.

Source 1 (Źródło 1) - Wybór głównego źródła sygnału wyjściowego, które ma być skierowane do wybranego kanału.

Źródło główne jest zawsze podłączone stereo, więc na przykład jeśli dla lewego kanału wybrano 1L, 1R zostanie automatycznie wybrany dla prawego kanału.

Source 2 (Źródło 2) - Wybór dodatkowego źródła wyjściowego, które ma być skierowane do wybranego kanału.

Źródło dodatkowe można wybrać indywidualnie i nie musi być podłączone stereo.

Source Select (Wybór źródła) - Wybór pomiędzy źródłem priorytetowym 1, wyłącznie źródłem 1 lub MIX.

W ten sposób albo Źródło 1, Źródło 2 lub MIX (źródła 1 i 2) zostaną skierowane na wybrany kanał wyjściowy. Domyślnie: Źródło 1.

## Konfiguracja DSP

Na zakładce Konfiguracja DSP można dokonać ostatecznej regulacji dźwięku za pomocą 10-pasmowego korektora parametrycznego EQ, którą następnie można zapisać jako ustawienia zadane, a także eksportować i importować.



**UWAGA: Niektóre zmiany dokonane na stronie WWW nie będą widoczne do momentu ręcznego odświeżenia strony lub przejścia do innej strony.**



## Przydzielanie ustawień zadanych (Preset)

Output Channel (Kanał wyjściowy) - Wybór kanału do edycji i wybór ustawień zadanych wyjścia DSP. Po wybraniu kanału z rozwijanego menu, jego kanał partnerski będzie również pokazywany na drugim menu rozwijanym.

Output Name (Nazwa wyjścia) – Pole tekstowe do wprowadzenia nazwy kanału. W przypadku zmiany nazwy w tym miejscu, będzie ona także widoczna na stronie ustawień wejścia/wyjścia.

DSP Preset (ustawienia zadane DSP) - Zaznacza zapisaną wartość DSP Preset, aby zastosować ją do kanału wyjściowego. W każdym kanale zawsze można wybrać takie ustawienie indywidualnie, bez łączenia par stereofonicznych.

## Test sygnału

Output Channel (Kanał wyjściowy) - Wybór kanału wyjściowego w celu skierowania na niego sygnału testowego. W przypadku wybrania kanału z rozwijanego menu, na drugim rozwijanym kanale zostaną również pokazane jego odpowiedniki.

Stimulus (sygnał wyzwalacza) - Wybór „różowego szumu” lub dowolnego kanału wejściowego, który ma być tymczasowo skierowany do wybranego wyjścia.

Volume Level (Poziom głośności) - Poziom głośności sygnału bodźcowego wybranego kanału wyrażony w dB.

On/ Off (Wł./ Wył.) – Włączanie lub wyłączanie wybranego sygnału wyzwalacza. Sygnał domyślnie wyłącza się przy opuszczeniu strony konfiguracyjnej DSP.

## Import/eksport zadanych ustawień

All Presets (Wszystkie ustawienia zadane) – Importowanie/eksportowanie wszystkich ustawień zadanych DSP do/z pliku.

Single Presets (Pojedyncze ustawienia zadane) – Importowanie/eksportowanie aktualnie wybranych pojedynczych ustawień zadanych DSP do/z pliku.

## Kopiowanie ustawień zadanych

Kopiuje ustawienia zadane DSP „X” do ustawień zadanych DSP „Y”. Oba zestawy ustawień można wybrać z rozwijanego menu.

## Wybór/ Zmiana nazwy ustawień zadanych DSP

Select DSP Preset (Wybór ustawień zadanych DSP) - Wybrane ustawienia zadane automatycznie zapiszą zmiany ustawień korektora EQ dokonane w poniższych ustawieniach.

Edit Preset Name (Edycja nazwy ustawień zadanych) - Pole do wprowadzania tekstu w celu zmiany nazwy na nazwę niestandardową.

Reset (Resetowanie) - Przywracanie ustawień domyślnych wszystkich nazw i ustawień aktualnie wybranych ustawień zadanych.

## Wykres korektora EQ

Przedstawia krzywą ustawień EQ.

## Korekcja barwy (EQ)

10 pasm korektora parametrycznego z następującymi konfigurowalnymi ustawieniami:

EQ - On/ Off (EQ Wł./Wył.) - Służy do włączenia korektora w celu aktywowania zastosowanych zmian parametrów.

EQ Frequency (Częstotliwość EQ) - Jest to środkowy punkt pasma w którym wprowadzane są zmiany.

EQ - Q - Współczynnik Q reguluje szerokość korygowanego zakresu częstotliwości, które będzie zwiększane przez korektor (liczba w zakresie od 0,3 do 24). Im niższy współczynnik Q, tym szersze pasmo (a tym samym szerszego pasma po obu stronach środkowego punktu będzie zmienione). Im wyższy współczynnik Q, tym węższa jest szerokość pasma (i tym węższe pasmo będzie zmienione).

EQ - Gain +/- dB (Wzmocnienie +/- dB) - Zwiększenie lub zmniejszenie wzmocnienia/głośności przy wybranej częstotliwości.

## Strowanie Tilt

W tym miejscu zmiana wzmocnienia może być ustawiona na stałą poniżej lub powyżej ustawionej częstotliwości.

Filtr Tilt EQ można zastosować do niskich lub wysokich częstotliwości przy użyciu następujących konfigurowalnych ustawień:

Tilt On/ Off (Wł. /Wył.) - Służy do włączenia filtra wysokich lub niskich częstotliwości EQ Tilt, aby aktywować wprowadzone zmiany parametrów.

Frequency (Częstotliwość) - Częstotliwość punktu początkowego regulacji filtra Tilt.

Gain (Wzmocnienie) - Zwiększenie lub zmniejszenie wzmocnienia/głośności.

## Zwrotnica

Można stosować filtry High Pass (HP) lub Low Pass (LP).

Jest to przydatne w przypadku stosowania pasywnych subwooferów (używanie filtrów LP) lub małych satelitów, które nie mogą obsługiwać niskich częstotliwości (filtr HP).

Ustawianie filtrów Low Pass i High Pass przy użyciu następujących konfigurowalnych ustawień:

Crossover On/ Off (Zwrotnica Wł./ Wył.) - służy do włączania filtra górno- lub dolnoprzepustowego w celu aktywowania zastosowanych zmian parametrów.

Cut off Frequency (Częstotliwość graniczna) - Ustawianie punktu -6dB każdej zwrotnicy górno- (HP) i dolnoprzepustowej (LP).

Filter Type (Typ filtra) - Możliwość wyboru pomiędzy szybkością opadania 6,12,18,24 dB na oktawę dla każdej zwrotnicy HP i LP. Im większa liczba, tym bardziej strome nachylenie zbocza.

## Opóźnienie

Pola tekstowe do wprowadzania danych w celu wybrania opóźnienia wyrażone w milisekundach, stopach lub metrach.

Po wprowadzeniu wartości dla jednej jednostki, dwie pozostałe są obliczane automatycznie.

## Limitery

Level (Poziom) - Poziom limitera z możliwością wyboru wyłączenia między: -3dB, -6dB, -6dB, -9dB.

Ma to na celu ograniczenie poziomu sygnału powyżej ustawionej wartości progowej, zapobiega dodatkowemu wzmocnieniu powyżej tego punktu i ewentualnemu uszkodzeniu głośników.

## Kody zdalnego sterowania podczerwienią

Wyłącznie modele „Connect”.

Wzmacniacze „Connect” mają wejście i wyjście podczerwieni do użytku z uniwersalnymi pilotami zdalnego sterowania.

Polecenia dla wzmacniaczy są zgodne ze standardowym protokołem NEC i można je pobrać tu: [monitoraudio.com](http://monitoraudio.com)

## Rozwiązywanie problemów

### Wskaźniki LED sygnalizujące usterkę:

Biała dioda LED - kanał przestarowany/ jest w trybie ochronnym

Gdy sygnał wejściowy jest zbyt wysoki, dioda LED kanału zaświeci się na biało. W takim przypadku należy zmniejszyć poziom trymu na wzmacniaczu lub poziom głośności źródła audio.

Migająca biała dioda LED - ochrona przed przegrzaniem

W takim przypadku zalecamy wyłączenie wzmacniacza i pozostawienie go do ochłodzenia do temperatury pokojowej przed ponownym włączeniem zasilania.

### Pozostałe usterki:

Brak zasilania

Jeśli we wzmacniaczu nie ma zasilania, należy sprawdzić bezpiecznik znajdujący się wewnątrz wtyczki (jeśli dotyczy) i bezpiecznik wewnętrzny wzmacniacza, patrz Schemat połączeń na stronie 161.

### Brak dźwięku

Należy sprawdzić wszystkie połączenia i kable. W przypadku modelu „Connect” należy upewnić się, że kanały są prawidłowo poprowadzone i nie są wyciszone.

Jeśli wzmacniacz jest skonfigurowany w trybie mostkowym, należy upewnić się, że przełącznik/ ustawienia i okablowanie są poprawnie skonfigurowane.

Jeżeli urządzenie nadal nie wysyła sygnału lub wciąż znajduje się w trybie błędu, prosimy o niezwłoczny kontakt z lokalnym sprzedawcą/dystrybutorem lub z Monitor Audio.

## Gwarancja

Producent gwarantuje, że wykonanie i działanie niniejszego produktu będzie wolne od wad fabrycznych przez okres pięciu (5) lat od daty zakupu (patrz warunki podane w broszurze „Istotne zalecenia dotyczące bezpieczeństwa”), pod warunkiem że produkt został dostarczony przez autoryzowanego sprzedawcę detalicznego Monitor Audio, na podstawie umowy sprzedaży zawartej z kupującym.

Prosimy poświęcić kilka minut na zarejestrowanie swojego produktu online pod podanym adresem, aby pomóc nam przeszukać bazę danych klientów, jeżeli zajdzie potrzeba odnalezienia szczegółowych postanowień dotyczących Państwa gwarancji: [monitoraudio.com](http://monitoraudio.com)

## Informacje dotyczące właściciela

Szczegółowe informacje o produkcie

Model: \_\_\_\_\_

Numer seryjny produktu: \_\_\_\_\_

Data zakupu: \_\_\_\_\_

Informacje szczegółowe o sprzedawcy

Nazwa sprzedawcy: \_\_\_\_\_

Adres: \_\_\_\_\_

Kod pocztowy: \_\_\_\_\_

Adres e-mail: \_\_\_\_\_

# Dane techniczne

Model:	IA150-2	IA60-12	IA200-2C	IA150-8C	IA800-2C	
Connect IP control	Nd.	Nd.	Tak	Tak	Tak	
Liczba kanałów	2 (jedna para stereo)	12 (sześć par stereo)	2 (jedna para stereo)	8 (4 pary stereo)	2 (jedna para stereo)	
Zasilanie (Watt/ kanał)	4 omów	150W	60W	200W	150W	800W
	8 omów	100W	45W	150W	140W	500W
	Mosek (8 omów)	320W (1 kanał)	100W (6 kanałów)	470W (1 kanał)	300W (4 kanały)	2000W (1 kanał)
	70V	Nd.	Nd.	Nd.	Nd.	800W (2 kanały)
Impedancja wejściowa	20 000 omów					
Impedancja wyjściowa (pętla RCA)	600 omów					
Czułość na wejściu	"100mV/1W - 1000mV pełna moc"	"100mV/1W - 700mV pełna moc"	"100mV/1W - 1230mV pełna moc"	"100mV/1W - 1140mV pełna moc"	"100mV/1W - 2200mV pełna moc"	
Maksymalne napięcie wejściowe (RMS):	2,9V					
Stosunek sygnału do szumu (SN:R):	-100dB (20Hz - 20kHz)					
Pasma przenoszenia (-3 dB)	5Hz - 50kHz					
Całkowite zniekształcenia harmoniczne (THD + N@1 kHz)	0,3% @ 1W					
Wysokość szafy rack	1U	2U	1U	2U	2U	
"Wymiary: bez stópek (Wys. X Szer. X Głęb.)"	42.4 x 438 x 427mm 1 11/16 x 17 1/4 x 16 13/16"	86.8 x 438 x 427mm 3 7/16 x 17 1/4 x 16 13/16"	42.4 x 438 x 427mm 1 11/16 x 17 1/4 x 16 13/16"	86.8 x 438 x 438mm 3 7/16 x 17 1/4 x 16 13/16"	86.8 x 438 x 438mm 3 7/16 x 17 1/4 x 16 13/16"	
"Wymiary: ze stópkami (Wys. X Szer. X Głęb.)"	52.8 x 438 x 427mm 2 1/16 x 17 1/4 x 16 13/16"	97.2 x 438 x 427mm 3 13/16 x 17 1/4 x 16 13/16"	52.8 x 438 x 427mm 2 1/16 x 17 1/4 x 16 13/16"	97.2 x 438 x 438mm 3 13/16 x 17 1/4 x 16 13/16"	97.2 x 438 x 438mm 3 13/16 x 17 1/4 x 16 13/16"	
Szerokość ze wspornikami do szafy rack	482mm 19"					
Waga	5,29 Kg (11lb 10oz)	7,34 Kg (16lb 2oz)	5,3 Kg (11lb 10oz)	7,45 Kg (16lb 6oz)	9,2 Kg (20lb 4oz)	
Komunikacja IP	Nd.	Nd.	TCP/IP (RJ-45 10/100 Base T)			
Napięcie zasilania sieciowego	100-120V@ 60Hz, 220-240V@50Hz					
Obciążalność znamionowa bezpiecznika	"5A (T5AL ~ 250VAC)"	10A (T10AL ~ 250VAC)	"5A (T5AL ~ 250VAC)"	10A (T10AL ~ 250VAC)	15A (T15AL ~ 250VAC)	
Pobór mocy w trybie czuwania	<0,5W (tryb oszczędny)/ <2W					

Monitor Audio zastrzega sobie prawo do modyfikowania specyfikacji bez wcześniejszego powiadomienia.



Monitor Audio Ltd.  
24 Brook Road  
Rayleigh, Essex  
SS6 7XJ  
England

Tel: +44 (0)1268 740580  
Fax: +44 (0)1268 740589  
Email: [info@monitoraudio.com](mailto:info@monitoraudio.com)  
Web: [monitoraudio.com](http://monitoraudio.com)

**Designed & Engineered in the United Kingdom  
Made In China**

Version 1. 2017

