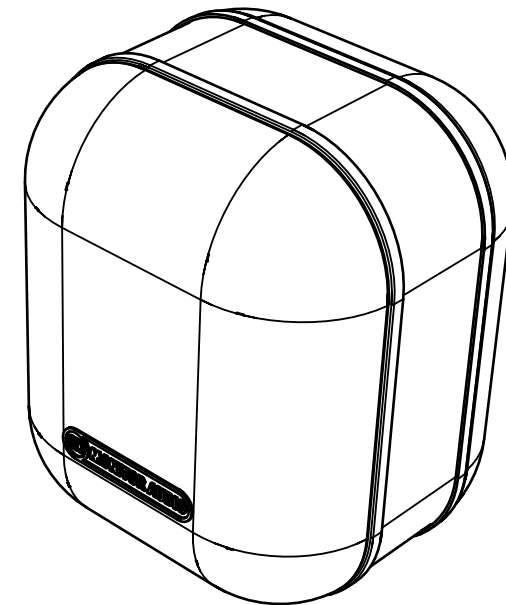
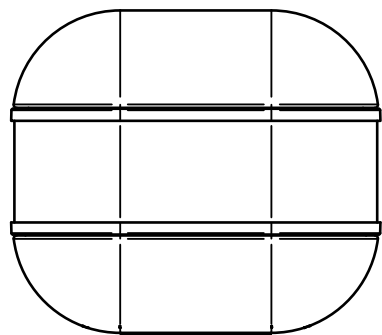
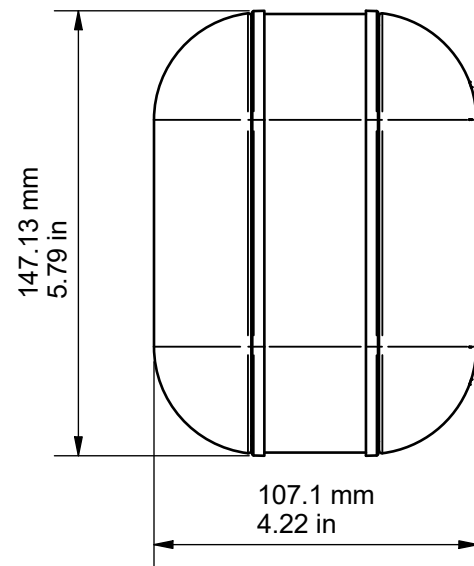


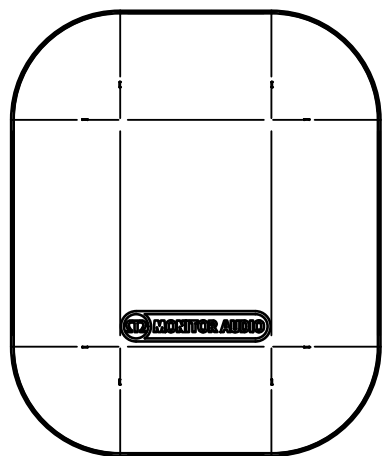
TOP



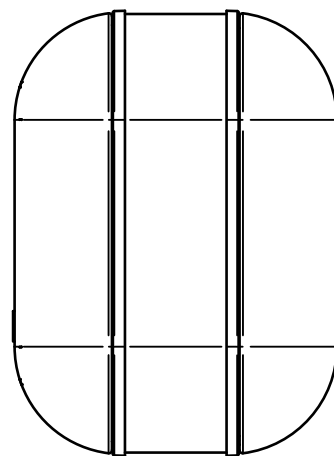
SIDE (LEFT)



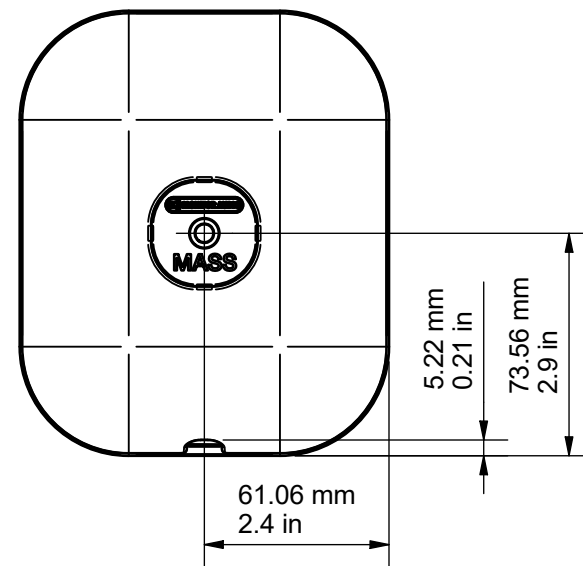
FRONT



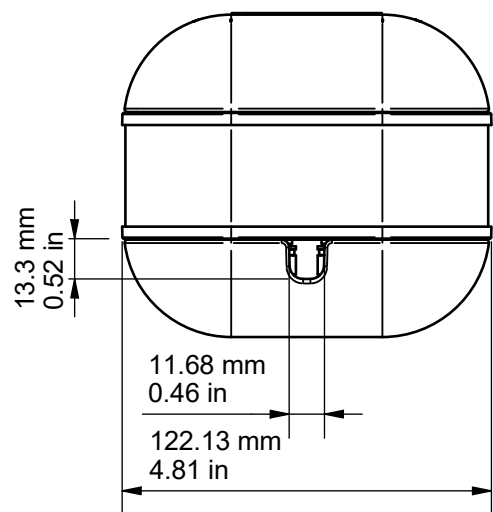
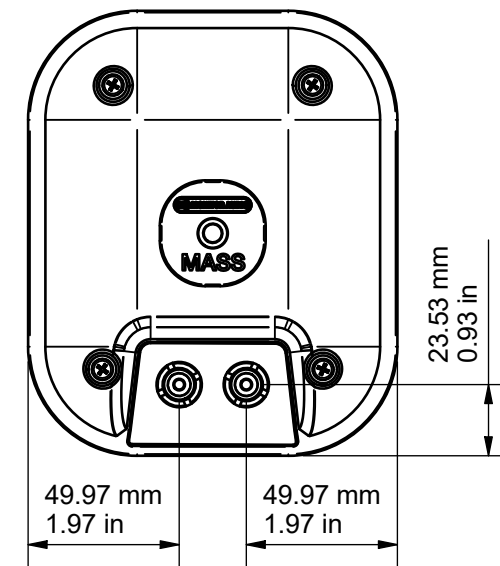
SIDE (RIGHT)



REAR



REAR (GRILLE OFF)



BASE

DRAWING FOR REFERENCE ONLY

MASS SATELLITE



RANGE: MASS 2G

© COPYRIGHT MONITOR AUDIO

09/08/2018

