

MILO™ 1055 MEDIA TABLE

bdiusa.com
customerservice@bdiusa.com

BDi

Product Registration

Registering your new BDI product allows us to send you important product updates, service information and helpful hints related to your BDI products. Register today, and you will be entered to win free a BINK table from BDI: www.bdiusa.com/register

Placement and Maintenance

Your MILO Media Table is designed for indoor use on level floors. Clean wood veneer and steel parts with a moist cloth.

Milo is engineered for easy assembly. Carefully follow this procedure to prevent any damage. Do not use power tools for assembly of this product.

Step 1

Unpack and identify the parts listed below. The assembly workspace should be a non-marring surface such as carpet. For missing hardware pieces, contact BDI Customer Service at: customerservice@bdiusa.com.

For all other concerns, please contact your BDI retailer.

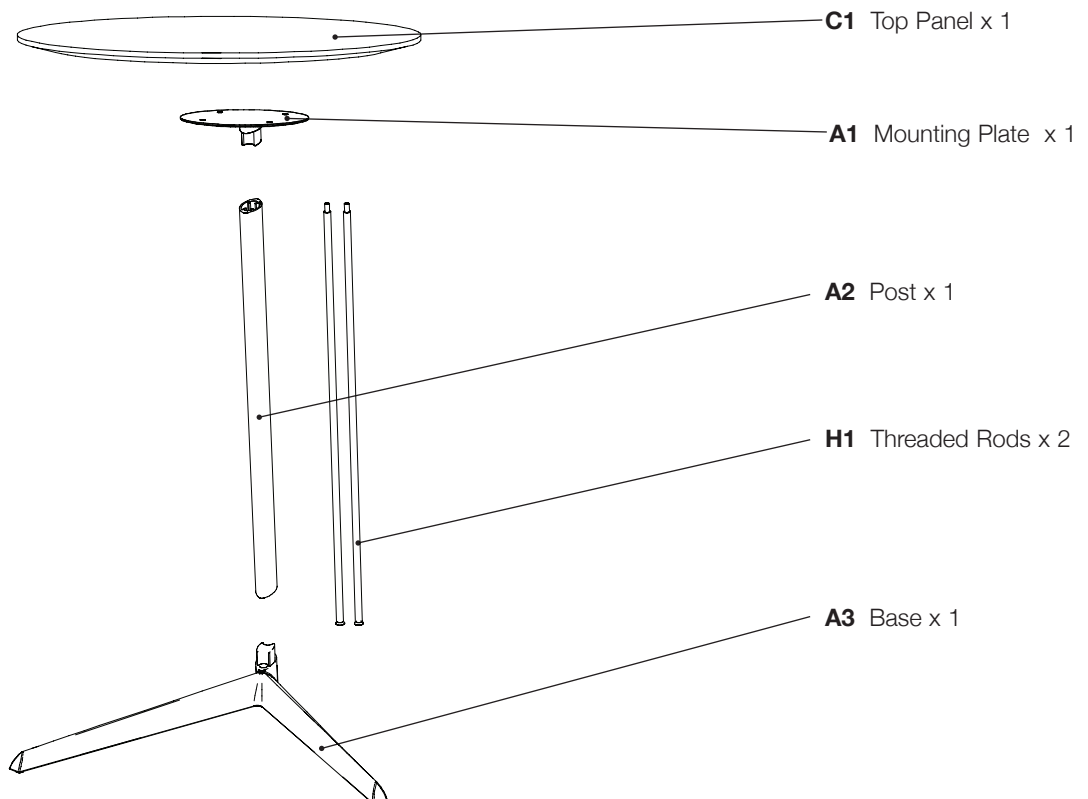
Tool Included:



T1 Hex Wrench x 1



H1 Flathead Screw
10mm x 4

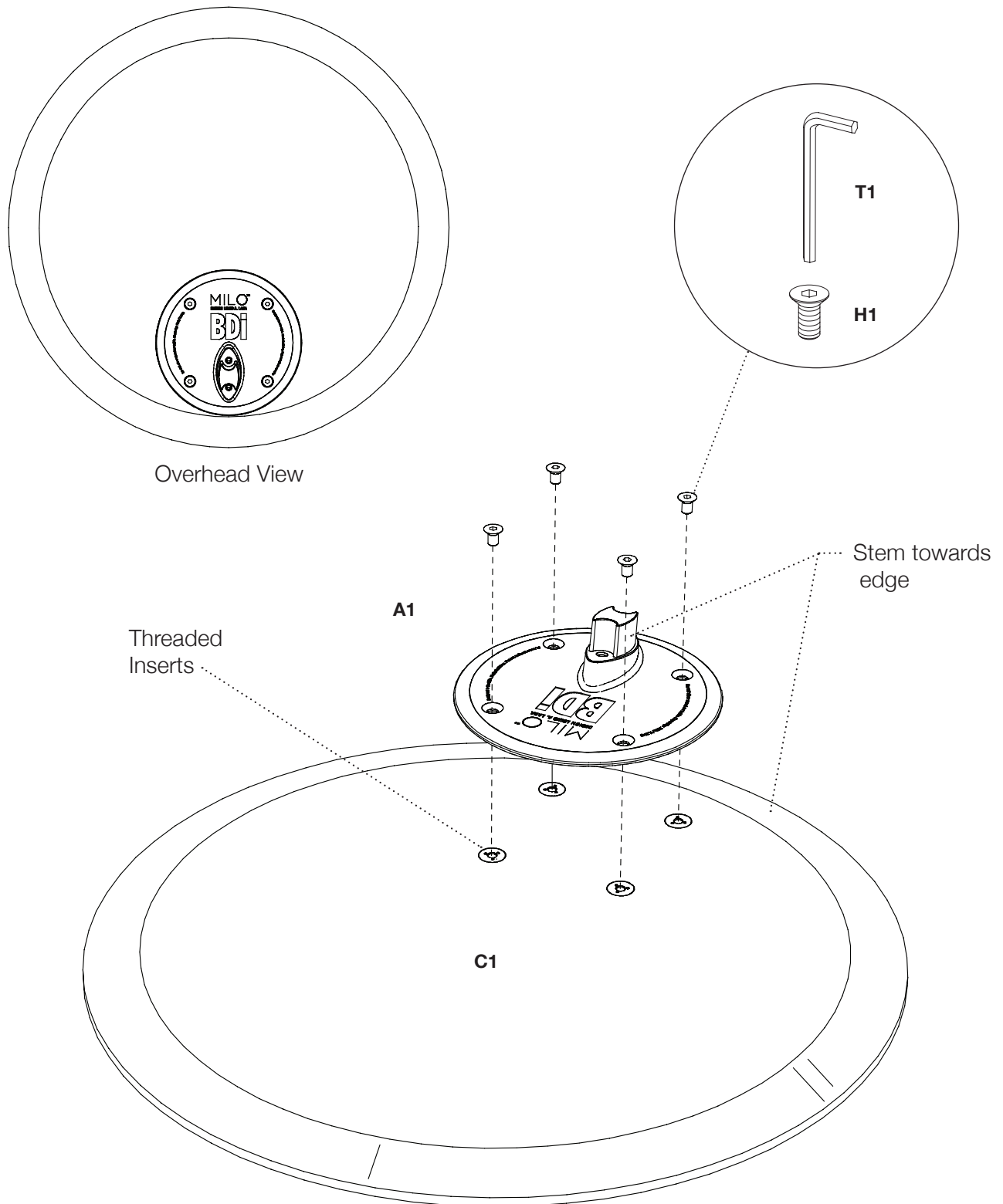


Designed by Louis A Lara.

These distinctive product configurations are protected by US and international patents, trade dress, and/or copyright laws. Milo & BDI are trademarks of Becker Designed, Inc. All rights reserved. ©2018, BDI
Made in China. 05.22.2018 V1

Step 2 - Attach Mounting Plate to Top Panel

Place **top panel C1** upside down on a non-marring surface. Position **mounting plate A1** over the 4 threaded inserts with the stem towards the outside and attach with **4 flathead screws H1** using **hex wrench T1**.



Step 3 - Attach Post and Base

Slide either end of the **post 2A** onto the stem of **mounting plate A1**. Place the stem of **base A3** into the opposite end of the **post A2** and secure in place with 1 hand. With your other hand, slide **2 threaded rods H2** into the channels that run through **post A2** and into the holes on the **mounting plate A1**. Tighten with **hex wrench T1**.

CAUTION:

Do not sit or stand on your Milo table.

Maximum capacity: 25 lbs / 11 kg

