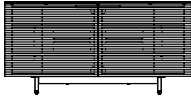
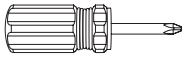




corridor
8175
cabinet



Component List



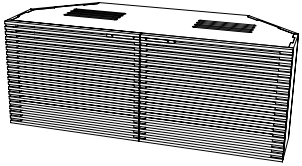
A - Phillips Screwdriver
x 1



B1 - Hex Wrench
x 1



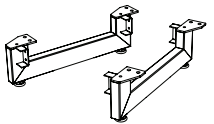
B2 - Hex Wrench
x 1



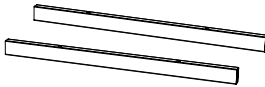
C - Cabinet
x 1



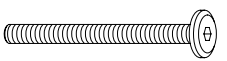
D - 1/4-20 x 10 mm
Machine Screw
x 16



E - Metal Leg
x 2



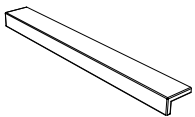
F - Metal Rail
x 2



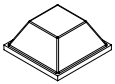
G - 1/4-20 x 60 mm
Machine Screw
x 4



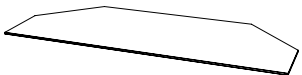
H - M4 x 35 mm
Machine Screw
x 4



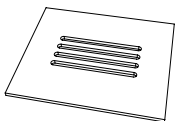
I - Door Pull
x 2



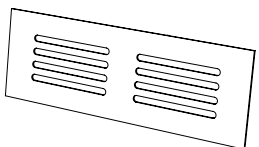
J - Rubber Bumper
x 7



K - Glass Top
x 1



L - Adjustable Shelf
x 2



M - Back Panel
x 1

Product Registration

Registering your product allows us to send you important updates, service information and helpful hints. Register today, and you will be entered to win a free Bink mobile media table from BDI. www.bdiusa.com/product-registration/

Placement and Maintenance

Corridor is designed for indoor use on level floors. Clean wood veneer with a moist cloth. Clean glass with glass cleaner.

Corridor is engineered for easy assembly. Carefully follow this procedure to prevent any damage.

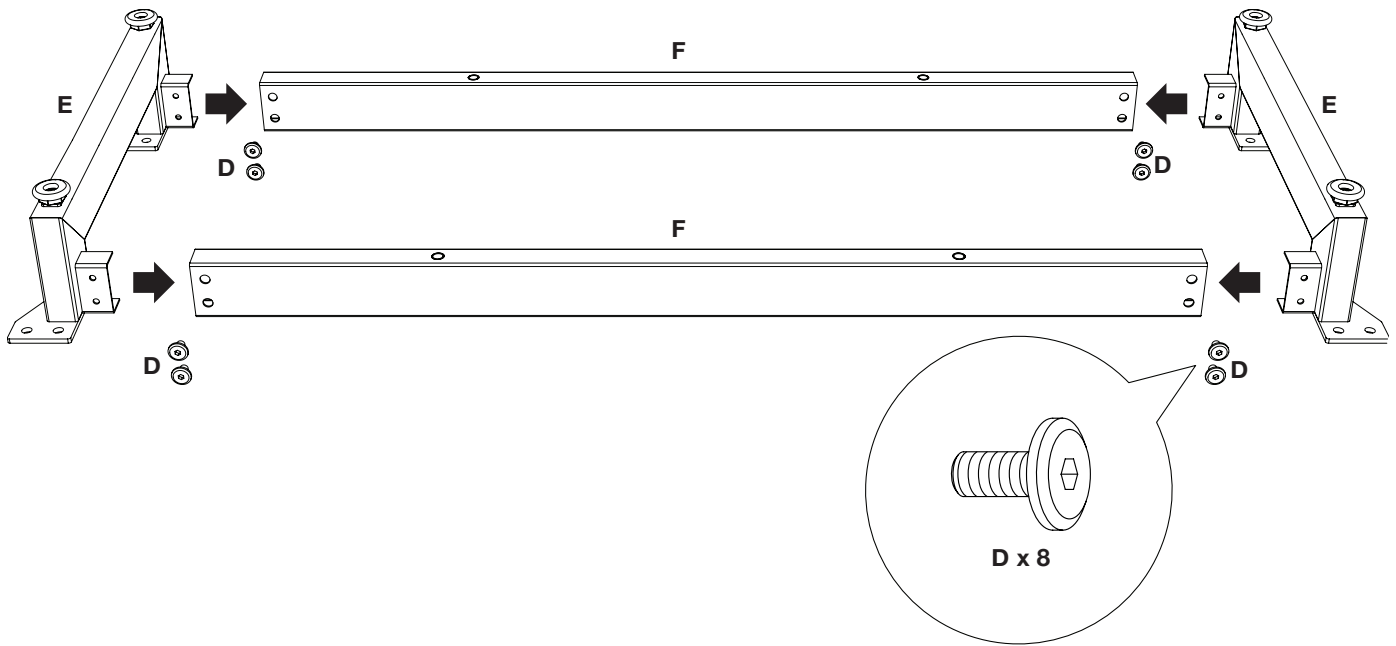
Step 1

Unpack and Identify

Unpack and identify the components at left. Note that some components are shipped inside the cabinet. The assembly workspace should be a non-marring surface such as clean carpet. For missing hardware pieces, please contact BDI Customer Service at customerservice@bdiusa.com. For all other concerns, please contact your BDI Retailer.

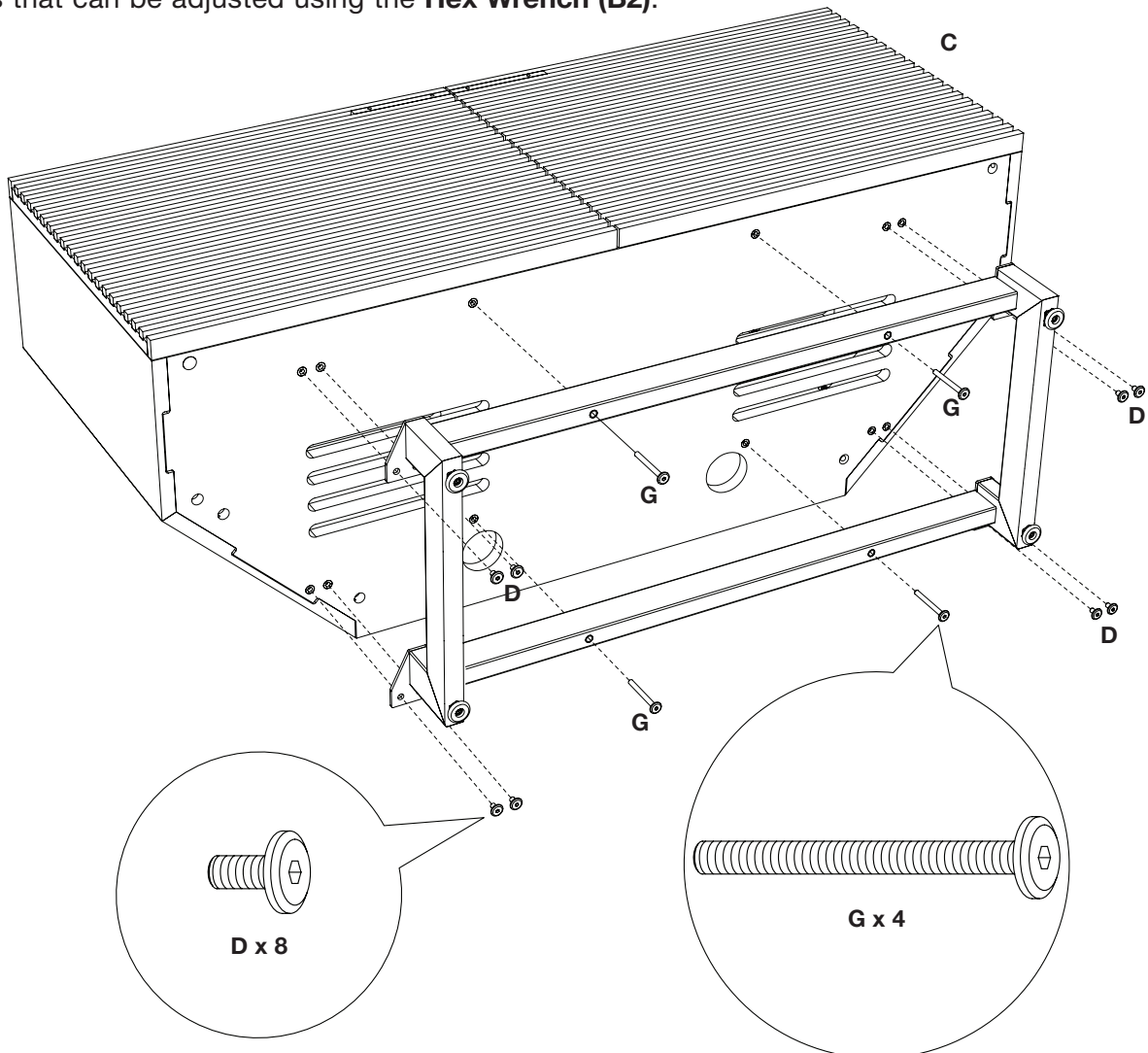
Step 1
Build Base Assembly

Slide **Metal Leg (E)** into **Metal Rail (F)** and attach by using **Hex Wrench (B1)** and **Screw (D)**.



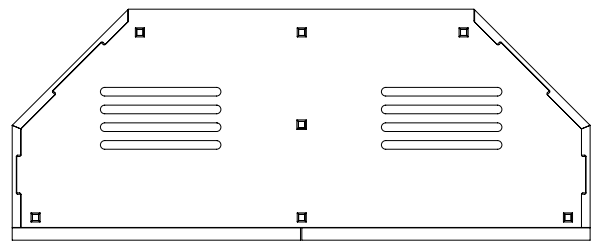
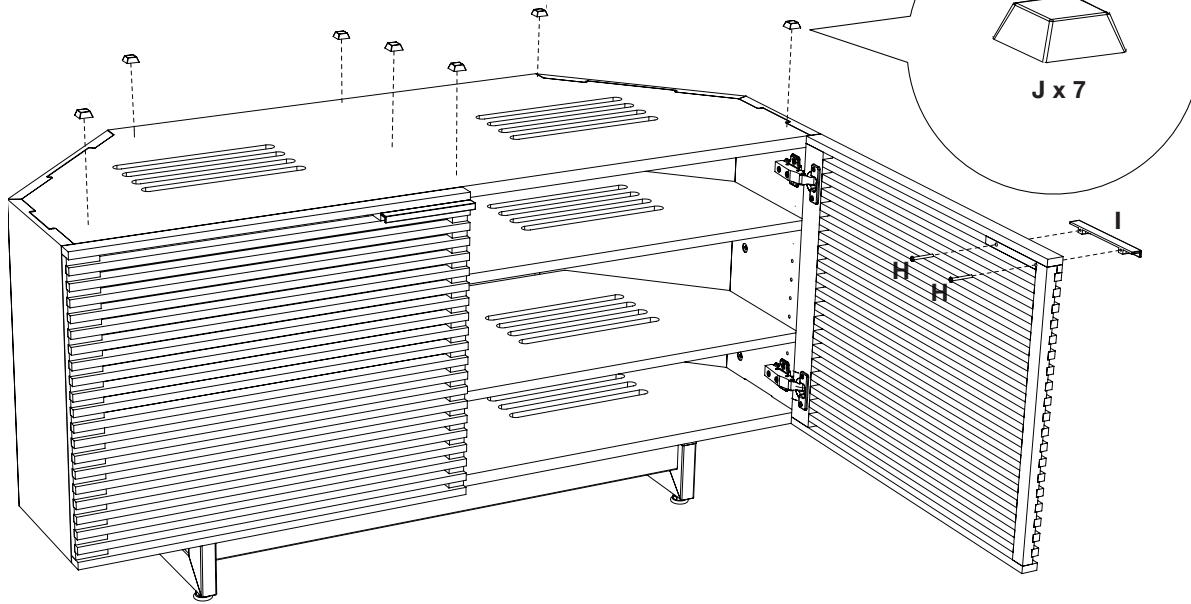
Step 2

Carefully lay **Cabinet (C)** on its back. Using **Hex Wrench (B1)**, attach the base assembly to the bottom of the **Cabinet (C)** with **Screw (D)** and **Screw (G)**. *Note: Each of the metal legs has levelers that can be adjusted using the **Hex Wrench (B2)**.



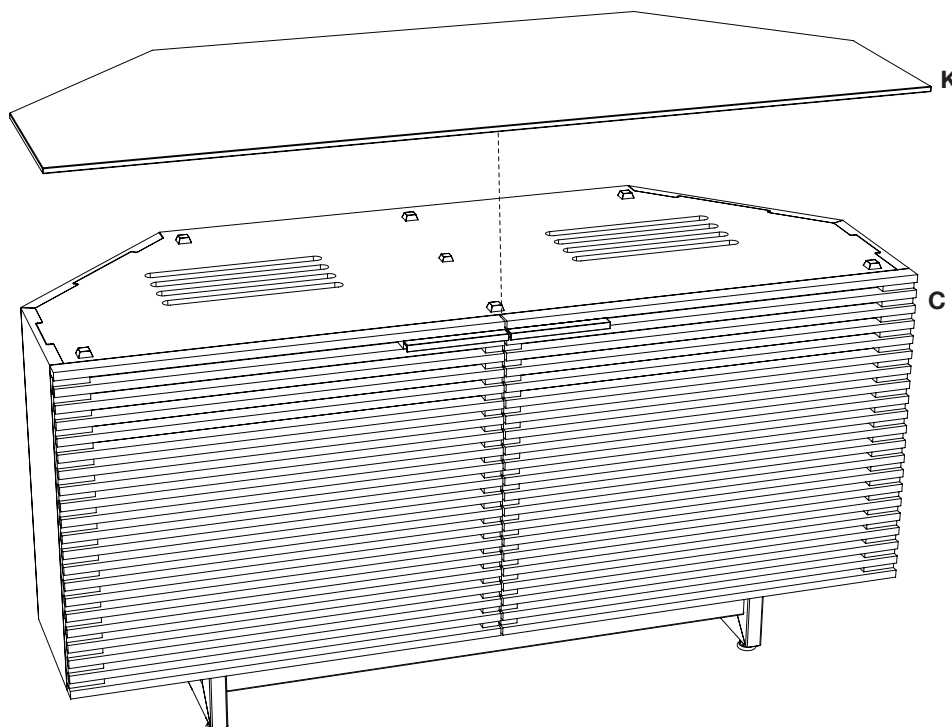
Step 3
Install Door Pulls and Rubber Bumpers

Position the cabinet upright and install **Door Pulls (I)** using **Screw (H)** and **Screwdriver (A)**. Adhere **Rubber Bumper (J)** at least one (1) inch from edges of the cabinet and one centered as shown below.



Step 4
Install Glass

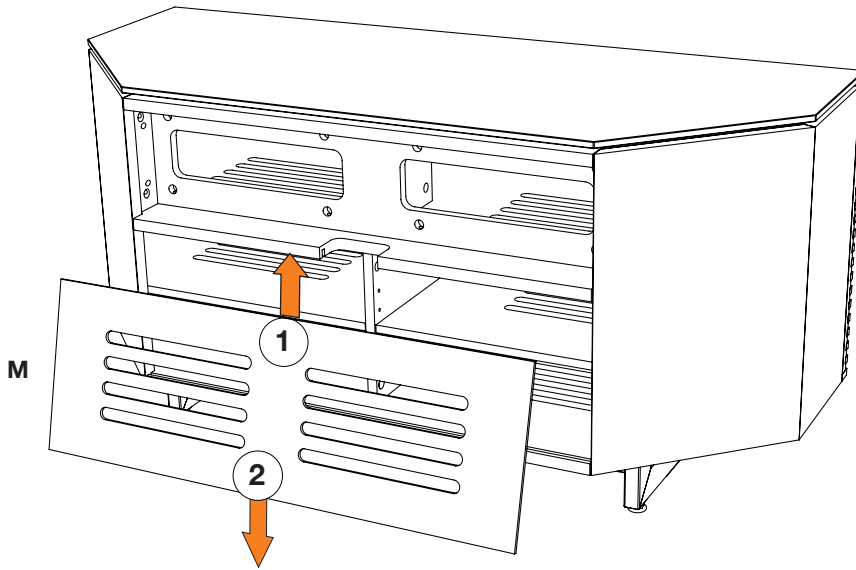
Place **Glass Top (K)** on top of **Cabinet (C)**. Position glass flush with cabinet front doors.



Step 5

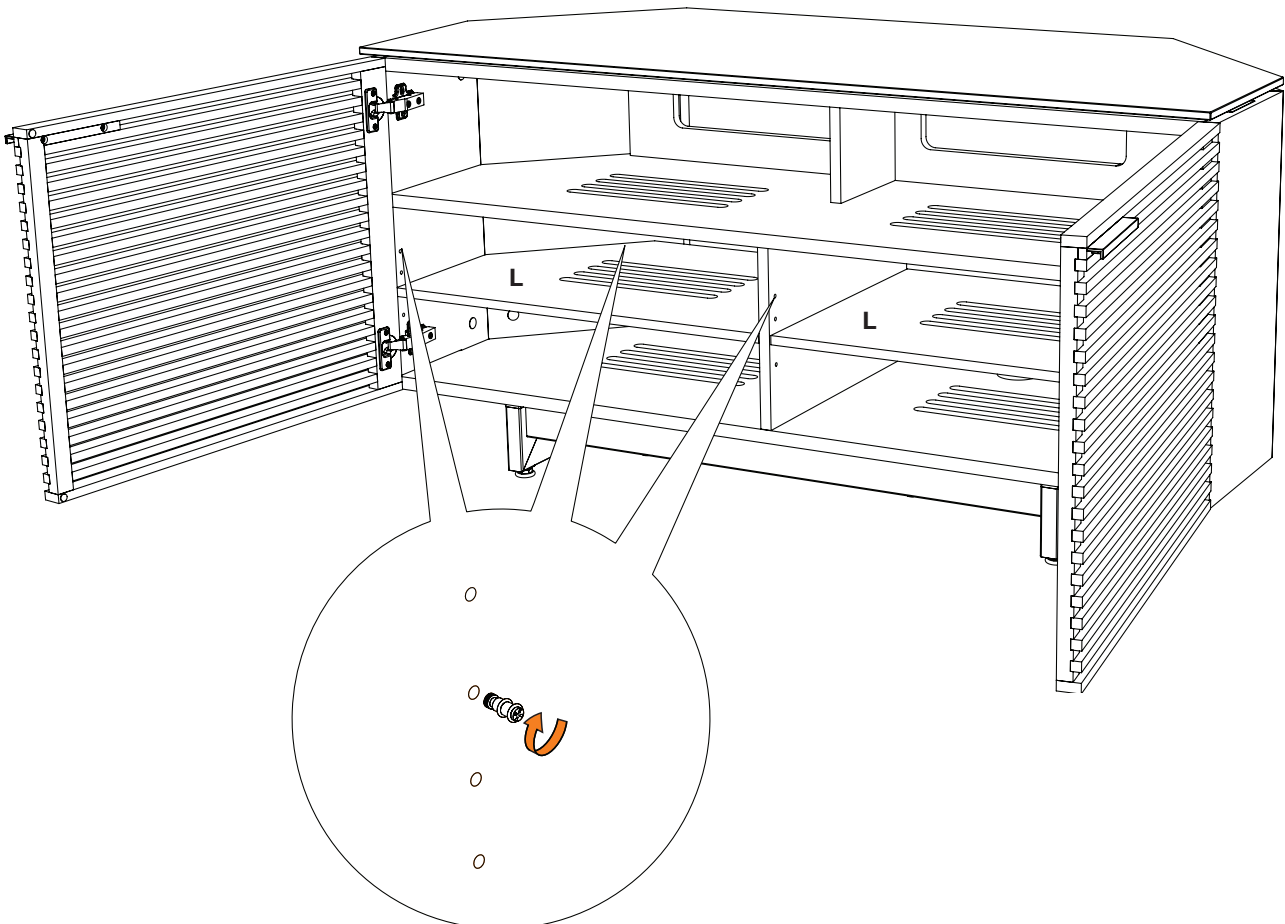
Install **Back Panel (M)** to the backside of the cabinet by inserting top edge in upper channel then tipping bottom edge forward and into lower channel.

NOTE: Velcro straps are included for your convenience to facilitate wire management.



Adjustable Shelves

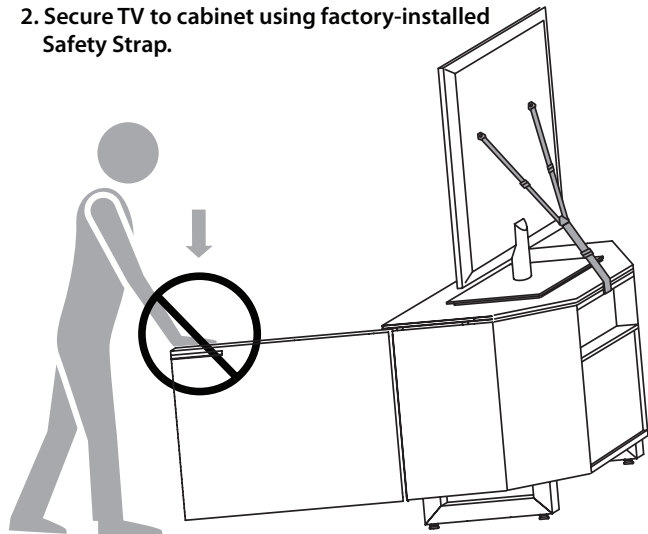
If desired, lift **Adjustable Shelf (L)** away, loosen & remove related **Shelf Support Pins**, reinstall the **Shelf Support Pins** at desired height, then reinstall **Adjustable Shelf**.



Step 6 - Install TV Safety Strap Kit

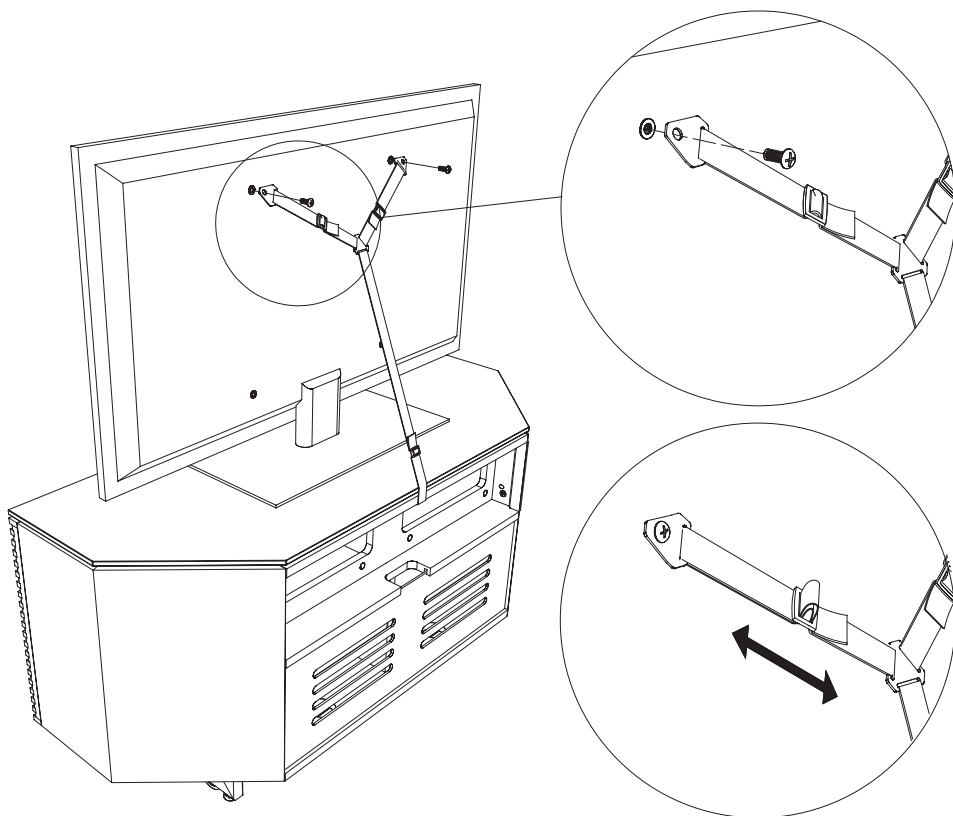
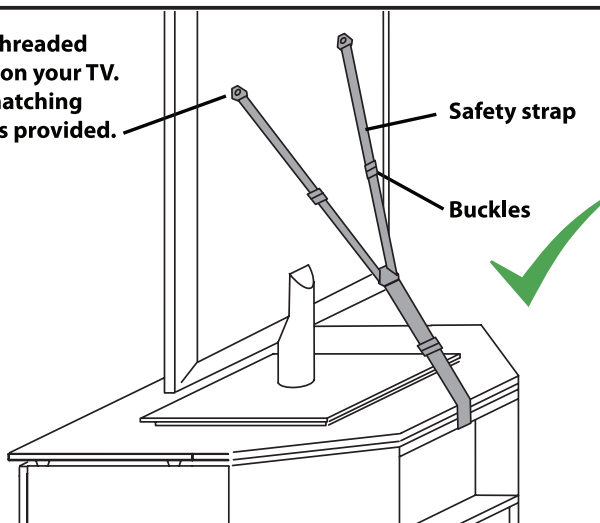
SAFETY INSTRUCTIONS

1. Do NOT press down on open door(s).
2. Secure TV to cabinet using factory-installed Safety Strap.



3. Using Screws provided in hardware kit with Safety Strap, fasten upper straps to back of TV at threaded insert locations.
4. Tighten tension of strap via buckles.
5. Refer to Assembly Instructions for details.

Find threaded holes on your TV. Use matching screws provided.



1. Unravel the strap as shown
2. From the hardware bag (bundled with the safety strap) find the two (2) screws that will thread into the holes on your TV.
3. Attach the two (2) brackets to the TV as shown using a Phillips screw driver.
4. To lengthen the straps, loosen the buckle and slide the buckle away from the center hub.

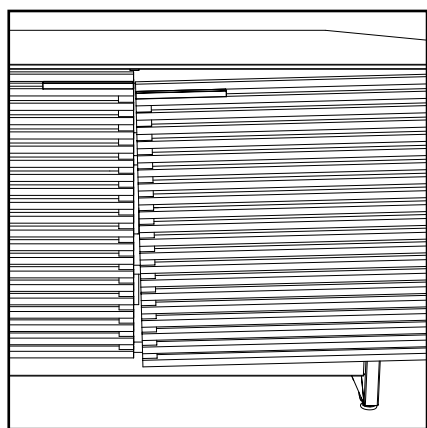
To shorten the straps, move the buckle towards the center hub. Make sure the two (2) top straps are both the same length and both tight.

Fine tuning your new BDI Corridor Media Furniture

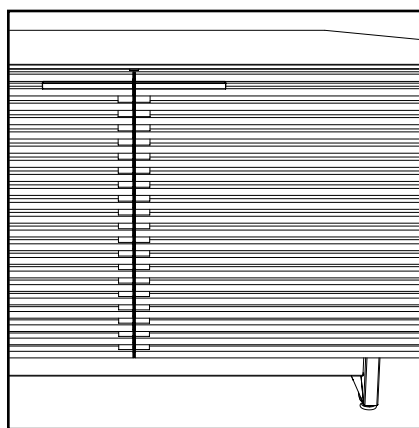
These steps are to be followed after you have unpacked and completed the simple assembly instructions for your Corridor AV cabinet. Due to jostling in freight or perhaps an uneven floor, the doors on your Corridor cabinet may not appear to be in perfect alignment. Making a few minor adjustments can rectify this situation. Be aware that depending on your situation, patience and a bit of trial and error are required. The high-quality European hinge hardware is infinitely adjustable, but changing one element can cause the need for further adjustments. Through a little adjustment, you can modify the orientation of the cabinet doors to make sure that they are sitting perfectly on your Corridor unit.

STEP 1 - Level your Corridor unit

Levelers are integrated into each leg assembly and are accessed at the bottom of each cabinet leg using **Hex Wrench (B2)**. If your floor is uneven, you may extend one or more levelers to attain a level, stable cabinet placement. Turning the leveler clockwise will extend the leveler; turning it counter-clockwise will retract it.



INCORRECT! Door is out of alignment.



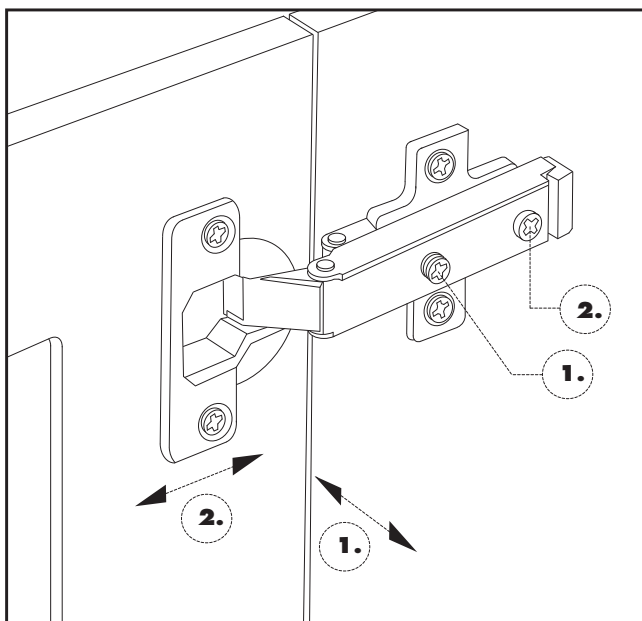
CORRECT! Door is sitting squarely and evenly spaced at top and sides.

STEP 2 - Adjust Door Hinges (if needed)

The doors on your cabinet should be evenly spaced and the doors should open and close freely without rubbing against the cabinet.

If the doors appear out of alignment, this condition can be corrected with minor adjustment to the European hinges on each door.

Because these hinges are infinitely adjustable, adjusting one hinge element can sometimes cause the need for adjustments to other elements. But with a few adjustments, you can modify the orientation of the cabinet doors to make sure that they hang perfectly within your cabinet.



Use the **Phillips Screwdriver (A)** supplied to adjust Corridor's door hinges:

- By adjusting **Screw 1**, the door will move LEFT or RIGHT within the frame. Make minor adjustments at both top and bottom hinges for best results.
- By adjusting **Screw 2** the entire door will move IN or OUT, opening or closing the gap between the door frame and cabinet. (This screw rarely needs adjustment.)