

CODE™ 7376 CONSOLE



bdiusa.com
customerservice@bdiusa.com

Product Registration

Registering your new BDI product allows us to send you important product updates, service information and helpful hints related to your BDI products. Register today, and you will be entered to win free a BINK table from BDI: www.bdiusa.com/register

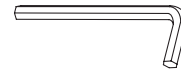
Placement and Maintenance

Your Code Console is designed for indoor use on level floors. Clean painted surfaces and steel parts with a damp cloth.

Code is engineered for easy assembly. Carefully follow this procedure to prevent any damage. Do not use power tools for assembly of this product.

Step 1

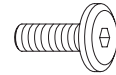
Unpack and identify the parts listed below. The assembly workspace should be a non-marring surface such as carpet. For missing hardware pieces, contact BDI Customer Service at: customerservice@bdiusa.com. For all other concerns, please contact your BDI retailer.



T1 Hex Wrench x 1



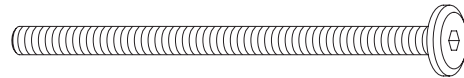
H1 1/4-20 x 10 mm Flat-head Screw x 8



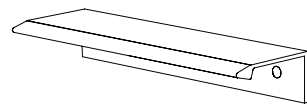
H2 1/4-20 x 12mm Screw x 8



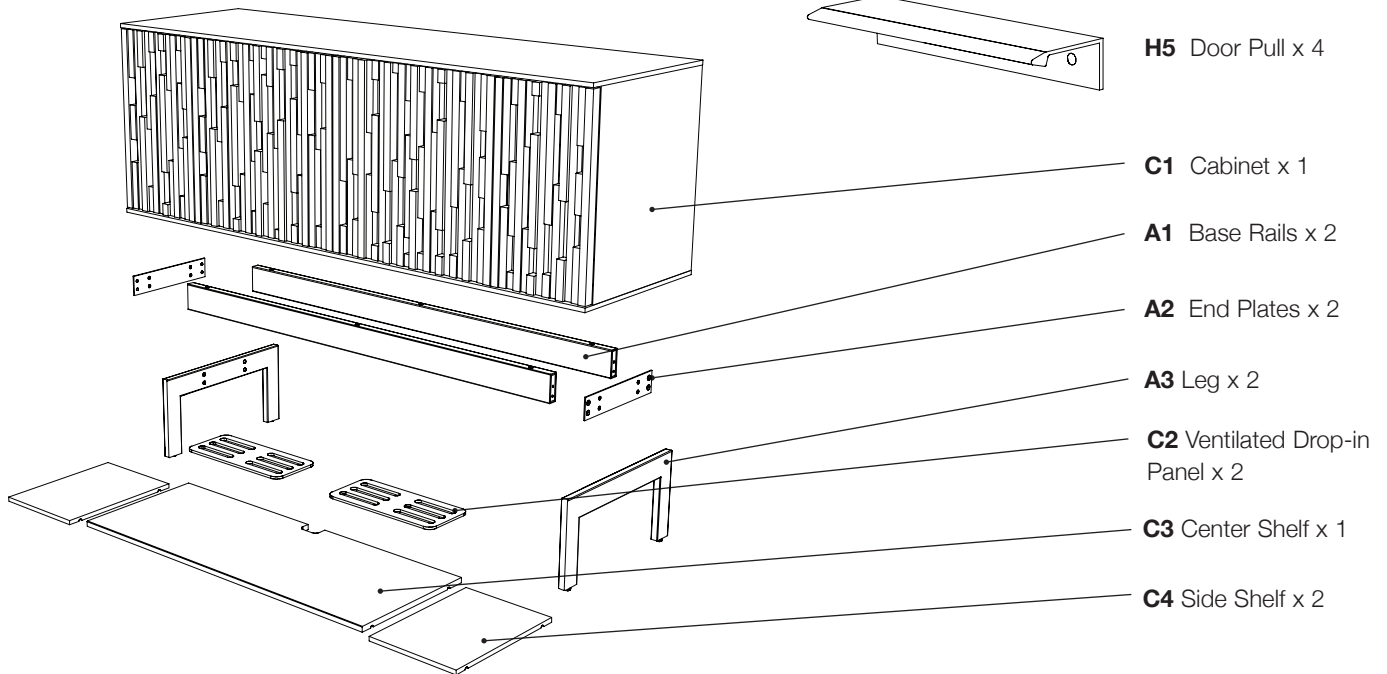
H4 #6 x 12 mm Wood Screw x 8



H3 1/4-20 x 87 mm Screw x 6

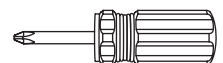


H5 Door Pull x 4



Tool Required:

Phillips Screwdriver



Designed by Matthew Weatherly.

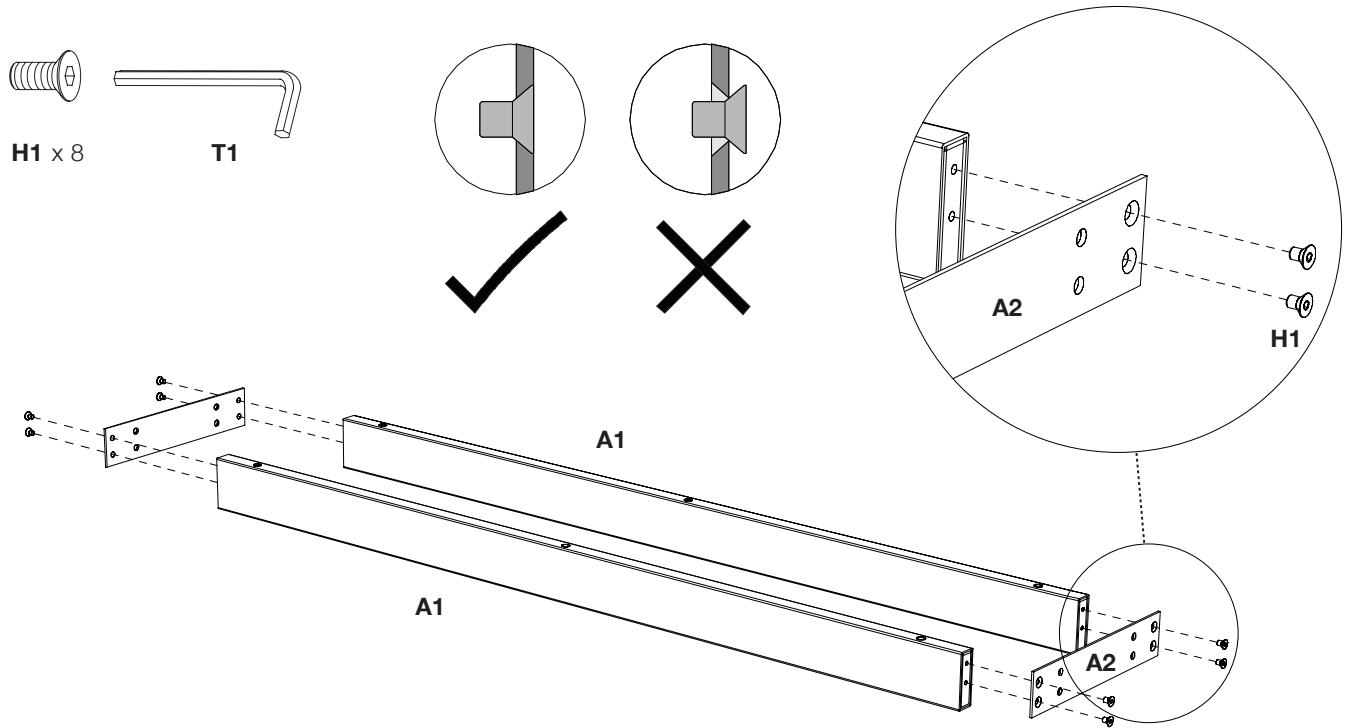
These distinctive product configurations are protected by US and international patents, trade dress, and/or copyright laws. Code & BDI are trademarks of Becker Designed, Inc. All rights reserved. ©2018, BDI

Patent: www.bdiusa.com/ip

Made in China. 05.29.2019 V2

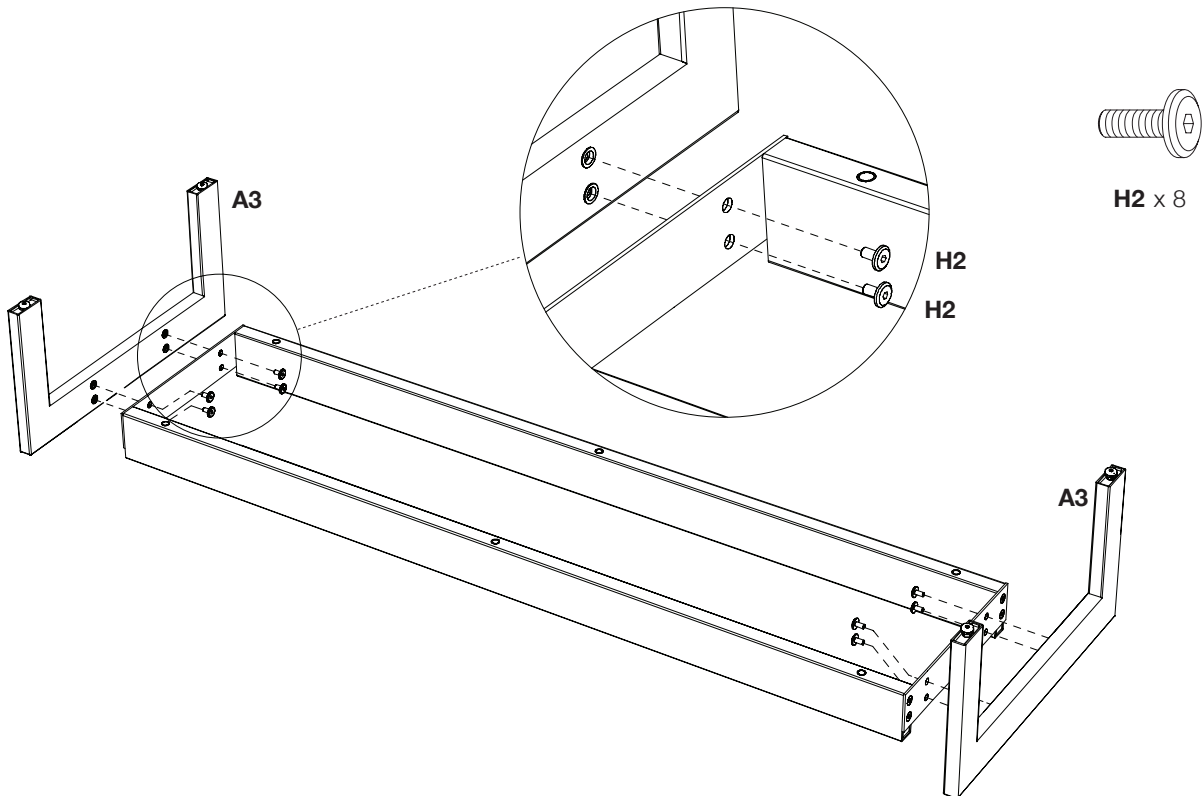
Step 2 - Assemble the base

Position both **rails A1** on a padded floor with the threaded holes on the ends facing up. Orient the **2 end plates A2** as shown with countersunk holes on the outside. Attach both **plates A2** to **base rails A1** with **Flathead Screws H1** going through the countersunk holes. Tighten screws with **hex wrench T1**.



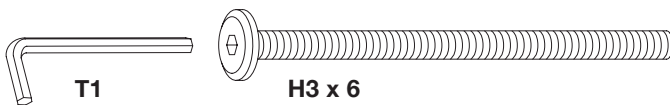
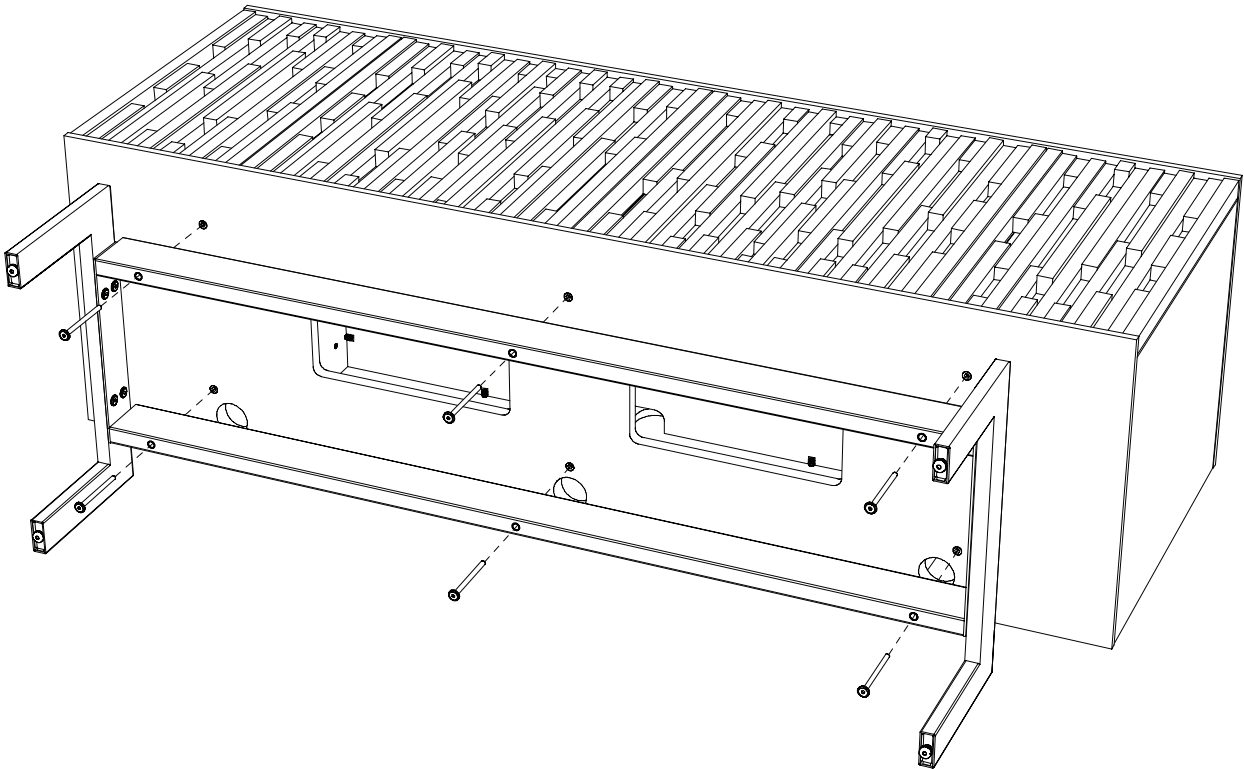
Step 3 - Attach the legs

Attach **legs A3** to the base frame using **screws H2** and **hex wrench T1**.



Step 4 - Attach the base

With help from another person, carefully position the cabinet on its back. Attach the **base** using **screws H3** and **hex wrench T1** going through the holes on the base rails and into the threaded holes on the bottom of the cabinet.

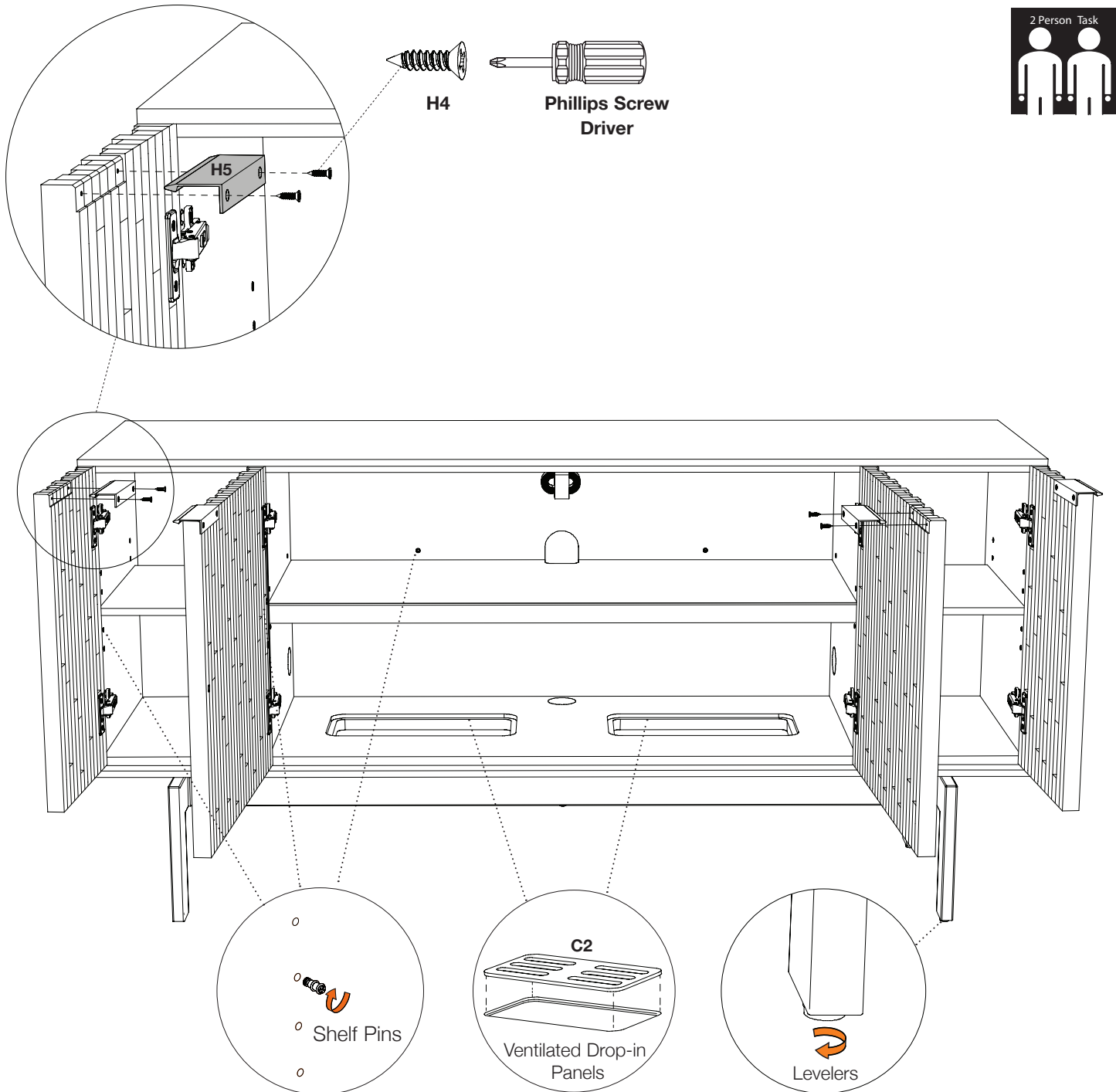


Step 5 - Stand Up / Attach Door Pulls / Adjust shelves

With help from another person, carefully position the cabinet onto its base. Open the doors and attach the **4 door pulls H5** using **wood screws H4** and a **Phillips screw driver**. The shelves in your Code Media Console are adjustable. Shelf pins may be unscrewed and moved up or down. Place the **2 ventilated drop-in panels** in place as shown.

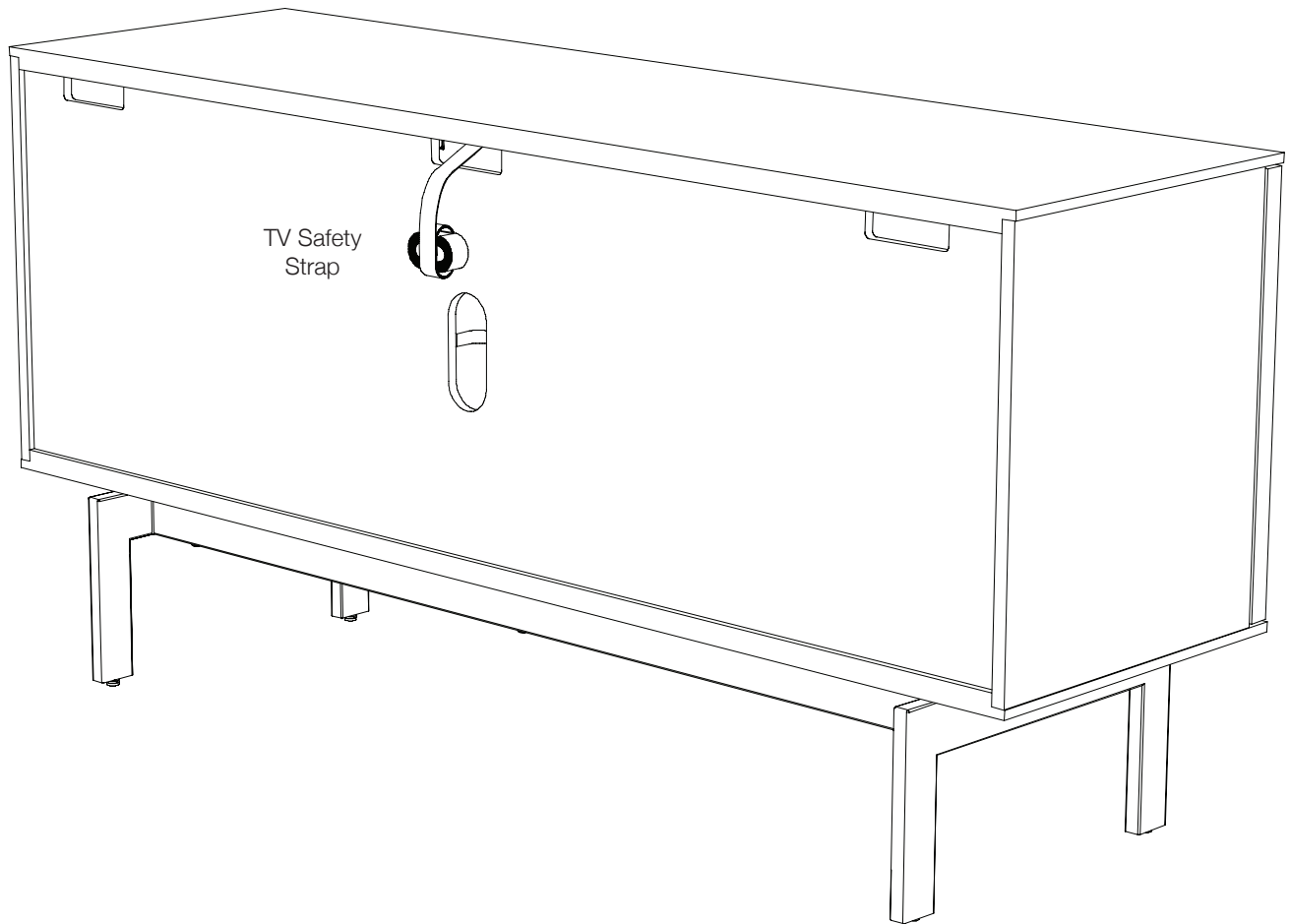
Step 6 - Level your unit

Levelers are integrated into each leg assembly and are accessed at the bottom of each cabinet leg. If your floor is uneven, you may extend one or more levelers to attain a level, stable cabinet placement.



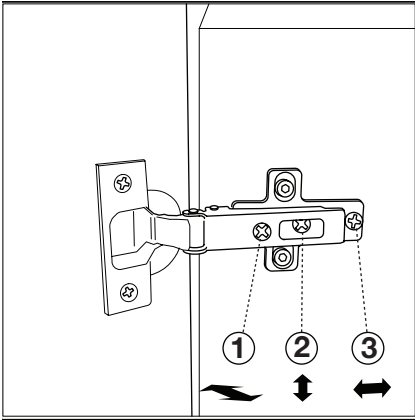
Step 7 - TV Safety Strap

Your Code Console is equipped with a TV safety strap. Find the strap bundle inside the cabinet and push it through the mouse hole so that it hangs out the back. Follow the instructions on the hang tag to attach the strap to your TV.



Step 8 - Adjust Door Hinges (if needed)

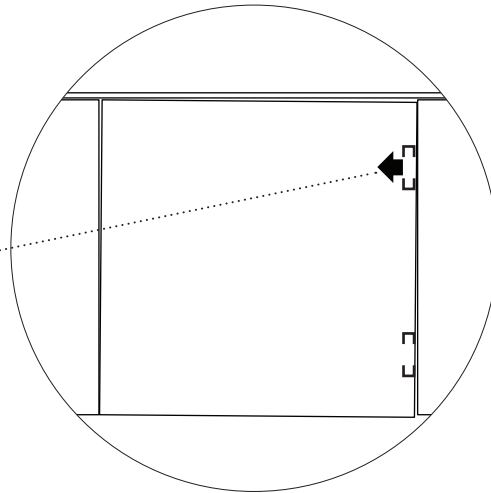
The doors on your cabinet should be evenly spaced and the doors should open and close freely without rubbing against the door frame. If the cabinet's doors appear out of alignment, this condition can be corrected with minor adjustment to the European hinges on each door. Because these hinges are adjustable, adjusting one hinge element can sometimes cause the need for adjustments to other elements. But with a few adjustments, you can modify the orientation of the cabinet doors to make sure that they hang perfectly within your cabinet.



Use the **Phillips Screwdriver T1** supplied to adjust the door hinges:

- By adjusting **Screw 1**, the door will move LEFT or RIGHT within the frame. Make minor adjustments at both top and bottom hinges for best results.
- By adjusting **Screw 2**, the door will move UP or DOWN. For best results, adjust Screw 2 on both the top and bottom hinges.
- By adjusting **Screw 3** the entire door will move IN or OUT, opening or closing the gap between the door frame and cabinet. (This screw rarely needs adjustment.)

Example:
Tightening **Screw 1**
on top hinge will move the
top of the door in the
direction shown



Example:
Adjusting **Screw 2**
on both hinges (same direction)
will move the door up or down

