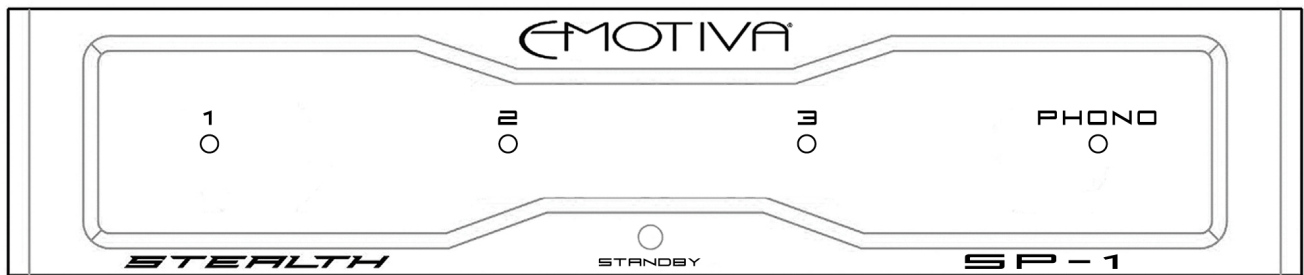


EMOTIVA®



STEALTH SP-1 USER MANUAL

Important Safety Precautions and Explanation of Symbols



The exclamation point within an equilateral triangle is intended to alert the user to the presence of important installation, operation, and service instructions in this manual.



The lightning flash with arrowhead symbol within an equilateral triangle is intended to alert the user to the presence of uninsulated dangerous voltages within the enclosure that may be of sufficient magnitude to constitute a risk of electrical shock to the user.

Please read this manual thoroughly before attempting to install, configure, or operate the Stealth SP-1. After successful installation and configuration of the Stealth SP-1, be sure to retain this manual in a safe place for future reference.

Safety is a key component to a long lasting and trouble free installation. Please read and follow all instructions and heed all warnings on the SP-1 and in this manual. The vast majority of the subsequent safety precautions are common sense. If you are not comfortable with the installation of professional audio/video equipment, you should seek the services of a qualified installation professional or call us for help.



WARNING: TO REDUCE THE RISK OF FIRE OR ELECTRIC SHOCK, DO NOT USE THE STEALTH SP-1 NEAR WATER OR IN WET LOCATIONS, DO NOT EXPOSE IT TO RAIN OR MOISTURE, DO NOT EXPOSE IT TO DRIPPING OR SPLASHING FROM OTHER SOURCES, AND ENSURE THAT NO OBJECTS FILLED WITH LIQUIDS (SUCH AS VASES) ARE PLACED ON IT. DOING SO MAY RESULT IN DAMAGE TO THE UNIT AND THE RISK OF ELECTRIC SHOCK, WHICH MAY RESULT IN BODILY INJURY OR DEATH.



WARNING: TO REDUCE THE RISK OF ELECTRIC SHOCK, DO NOT DISASSEMBLE THE STEALTH SP-1. THERE ARE NO USER-SERVICEABLE PARTS INSIDE THE UNIT. REFER ALL SERVICE TO QUALIFIED SERVICE PERSONNEL.

Do not install the Stealth SP-1 near or above any heat sources such as radiators, heating vents, or other apparatus that produce heat. Do not block any ventilation openings or heat sinks. Avoid installing the unit directly above other heat-producing equipment unless sufficient ventilation or forced-air cooling is provided.

Do not install the Stealth SP-1 in locations without proper ventilation. The Stealth SP-1 should not be operated on a bed, sofa, rug, or similar surface that may block air flow to the heat sinks. The unit should not be mounted against a surface or in an enclosed location such as a bookcase, cabinet, or closed equipment rack unless sufficient ventilation is provided.

Always install your Stealth SP-1 according to the manufacturer's instructions and only use attachments or accessories specified by the manufacturer.

Connect the Stealth SP-1 only to power sources of the correct voltage (as shown in this manual and on the Stealth SP-1 unit).

Protect power supply cables from being pinched, walked on, or otherwise damaged. Be especially careful where the power cable enters the power outlet and the unit.

Only connect the Stealth SP-1 to an electrical outlet or extension cord of appropriate type and rating.

DO NOT defeat the safety purpose of a grounding or polarized plug by removing ground pins or using unsafe adapters. A polarized plug has two blades - one wider than the other. A grounding plug has a third ground prong in addition to the two main conductors. The wide blade or third grounding prong is provided for your safety. If the provided plug does not fit your outlet, consult an electrician to replace your obsolete outlet. If you replace the power cord, only use one of similar type and equal or greater current rating.

The power cable for the Stealth SP-1 should be unplugged from the outlet during severe electrical storms, or when unused for a long period of time.

Only replace the fuse(s) in the Stealth SP-1 with a fuse(s) of proper value and voltage rating.

The Stealth SP-1 should only be cleaned as directed in the manual. Avoid spraying liquids directly onto the unit and NEVER spray liquids into the vents or controls, or directly onto the face plate. Care should be taken so that small objects do not fall into the inside of the unit.

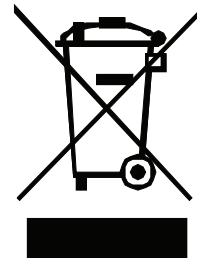


You should seek service for your Stealth SP-1 by qualified service personnel if any of the following occur:

1. The power-supply cord or the plug has been damaged.
2. Objects or liquid have fallen or spilled into the vents.
3. The unit has been exposed to rain.
4. The unit exhibits a marked change in performance.
5. The unit has been dropped, or its enclosure or chassis is damaged.

NOTE: TO COMPLETELY DISCONNECT THE STEALTH SP-1 FROM THE AC POWER MAINS, DISCONNECT THE AC POWER CORD FROM THE AC RECEPTACLE.

NOTE: THE POWER CORD ON THE STEALTH SP-1 MUST REMAIN READILY ACCESSIBLE AT ALL TIMES.





SP-1 Input Selector and Phono Preamp

Contents

Important Safety Precautions and Explanation of Symbols	
SP-1 Input Selector and Phono Preamp	1
Introduction.....	2
About This Manual	3
Features.....	4
Quick Start.....	5
What's Inside the Stealth SP-1 (Block Diagram).....	5
Connecting the Stealth SP-1	6
Stealth SP-1 (Front Panel)	7
Stealth SP-1 (Rear Panel)	8
Stealth SP-1 (Remote Control)	10
Using The Stealth SP-1 With a Stealth DC-1	11
Hardware Configuration.....	12
Care and Maintenance.....	13
Specifications.....	14
Emotiva Audio Corporation Five-Year Limited Warranty	17
Notes.....	19

Stealth SP-1 Input Selector and Phono Preamp

Introduction

Thank you for purchasing the new Stealth SP-1 Input Selector and Phono Preamp.

The Emotiva Stealth SP-1 is a totally new type of audio component. The SP-1 is designed to work with your current analog preamp to expand its input capabilities dramatically. The SP-1 is connected to any available line-level stereo input on your current preamp. The SP-1 upgrades that single analog input to three line level inputs and a phono input, passively switched by precision control relays. The SP-1's internal high performance low noise precision phono preamp supports both moving magnet and moving coil cartridges.

The Stealth SP-1 can be used with any analog preamp with an available stereo line level input, or it can be used with our Control Freak passive level control, but it was specifically designed to complement our Stealth DC-1 DAC. When the SP-1 is paired with the DC-1 via its analog input, the two together form a modular system, which offers a total of one phono input, three line level analog inputs, and a full complement of five digital inputs - two Coax S/PDIF inputs, one Toslink input, one AES/EBU input, and one high-performance USB input. The DC-1 provides both balanced and unbalanced stereo analog outputs, and a precision low noise volume control. The complete system is operated by the DC-1's remote control, and offers performance matching the best analog and digital separates.

The Stealth SP-1; turn your DC-1 into a high performance modular audio system.

Happy listening!

The Emotiva Professional Team

About This Manual

This manual will provide you with all the information you need to get great performance, accurate sound, and many years of reliable service from your Stealth SP-1.

Many of you are experienced studio professionals and are probably familiar with studio and audiophile preamplifiers, switchers, and D/A converters. We suggest that you read through the entire manual as we kept things as short and direct as possible. Even if you're an expert user, you might find some interesting information and useful suggestions.

You may wish to record serial numbers or other purchase information on the Notes page at the back of this manual.

Stealth SP-1 Input Selector and Phono Preamp

Features

The Stealth SP-1 was designed to expand the analog capabilities of any stereo analog preamp which has at least one available line level analog stereo input. When any of the line level inputs on the SP-1 is selected, the signal from that input is routed directly to the output via precision switching relays, which add virtually no distortion or noise to the signal. When the Phono Input is selected, the signal is first amplified and equalized by the SP-1's precision low noise phono preamp, and the output of the phono preamp is then routed to the output.

The Stealth SP-1 was designed primarily as a companion device to our Stealth DC-1 DAC. When the outputs of the SP-1 are connected to the analog inputs on the DC-1, the SP-1 expands the analog capabilities of the DC-1 from a single analog input to three line level analog inputs and a precision, very high quality, phono input.

Since the SP-1 does not include its own volume control, it must always be used with another device which provides some sort of level control. The SP-1 can be used with our own DC-1, or with any other preamp, integrated amplifier, or receiver with an available stereo line level analog input, or even with our Control Freak passive volume control.

When used together, the Stealth SP-1 and DC-1 comprise a very flexible high quality stereo preamplifier, with four high quality analog inputs (including a phono input), five high performance digital inputs, balanced and unbalanced analog audio outputs, and a full function remote control.

Features of the SP-1 itself include:

Three relay controlled line level analog inputs. Precision switching relays connect the selected line level input on the SP-1 directly to the output, and introduce virtually no noise or distortion.

Precision, high quality phono preamp. The phono preamp on the SP-1 uses the same circuitry as the phono preamps in our other flagship gear, and offers very low noise and distortion, precise adherence to the RIAA standard, switchable gain to accommodate both moving coil and moving magnet cartridges, and user-selectable load impedance for the moving coil input.

Universal line voltage support. The SP-1 can be operated on any line voltage between 115 VAC and 230 VAC, at 50 Hz or 60 Hz, and will automatically detect and switch to the correct voltage.

Solid steel case. The solid steel case on the Stealth SP-1 provides excellent noise shielding, protection from mechanical damage, and a solid "no nonsense" feel.

Convenient 1U half-width case with "Stealth" styling. The Stealth SP-1 has a convenient half-rack width form factor, which allows two units to be placed side by side on a standard rack shelf, and makes it easy to install the SP-1 in a small audio rack or next to (or on top of) a computer.

High quality construction. Inside, the SP-1 uses four layer FR4 circuit boards, precision film resistors, and other top quality parts to ensure years of trouble-free operation.

Stealth SP-1 Input Selector and Phono Preamp

Quick Start

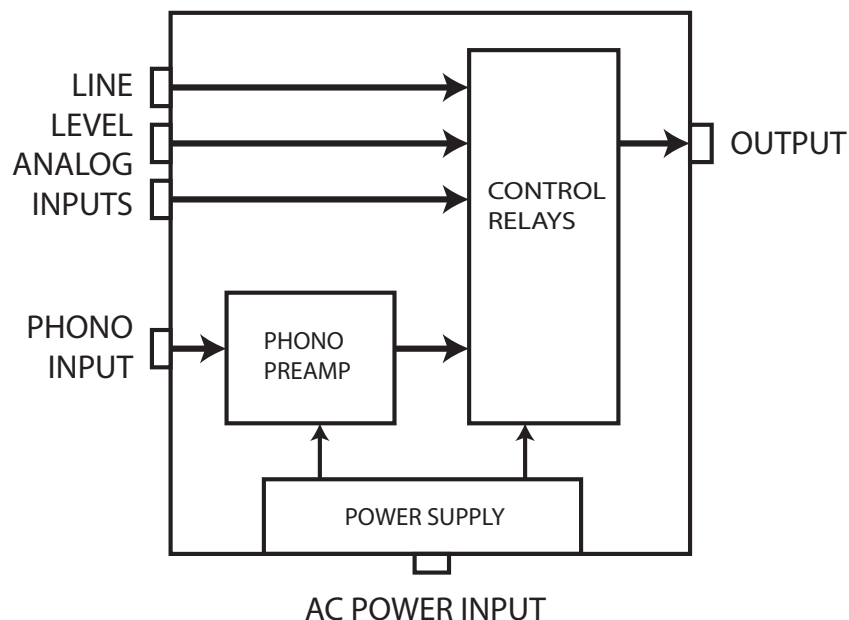
Even though you may be eager to try out your Stealth SP-1 right away, there are a few important details you need to check first:

- 1) Remove the insulator tab from the batteries in the remote control. (See *Inserting or changing batteries in the remote control* in the *Hardware Configuration* section for details.)
- 2) If you're using the SP-1 with our Stealth DC-1, or another DAC with an analog input, verify that your DAC is configured to provide a variable level output.

WARNING!: THE STEALTH SP-1 MUST BE USED IN CONJUNCTION WITH A DAC OR PREAMP WHICH INCLUDES A VOLUME CONTROL, OR WITH OUR CONTROL FREAK PASSIVE VOLUME CONTROL. The Stealth SP-1 switches the selected input directly to the output at full level - with no attenuation. Connecting the SP-1 directly to a power amp without a volume control may result in excessively loud output levels, which may present a risk of hearing or equipment damage.

- 3) Remember to turn on the rear panel Power switch on your Stealth SP-1 (and turn on the rear panel Power switch on your DC-1 if you're using one).

What's Inside the Stealth SP-1 (Block Diagram)

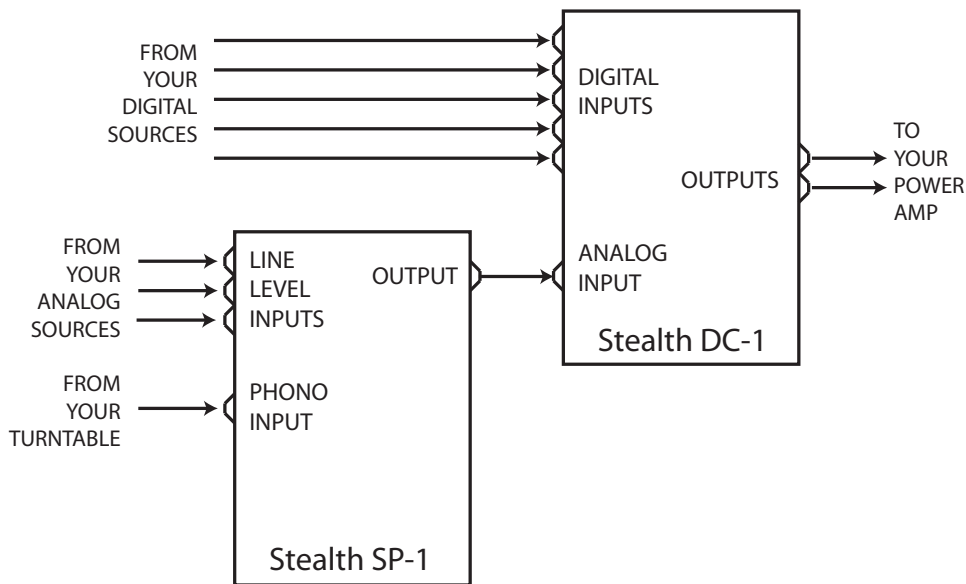


Stealth SP-1 Input Selector and Phono Preamp

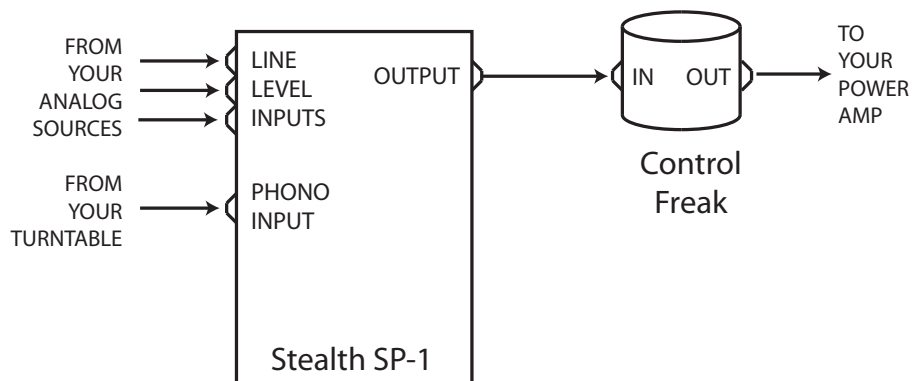
Connecting the Stealth SP-1

The Output of the Stealth SP-1 should be connected to an available line level input on a preamp, an integrated amp or receiver, or a DAC with an analog input. It may also be connected to a power amplifier via our Control Freak passive level control (see the illustration below). **THE STEALTH SP-1 DOES NOT INCLUDE A VOLUME CONTROL AND SO MUST BE CONNECTED TO A DEVICE WHICH HAS A VOLUME CONTROL.**

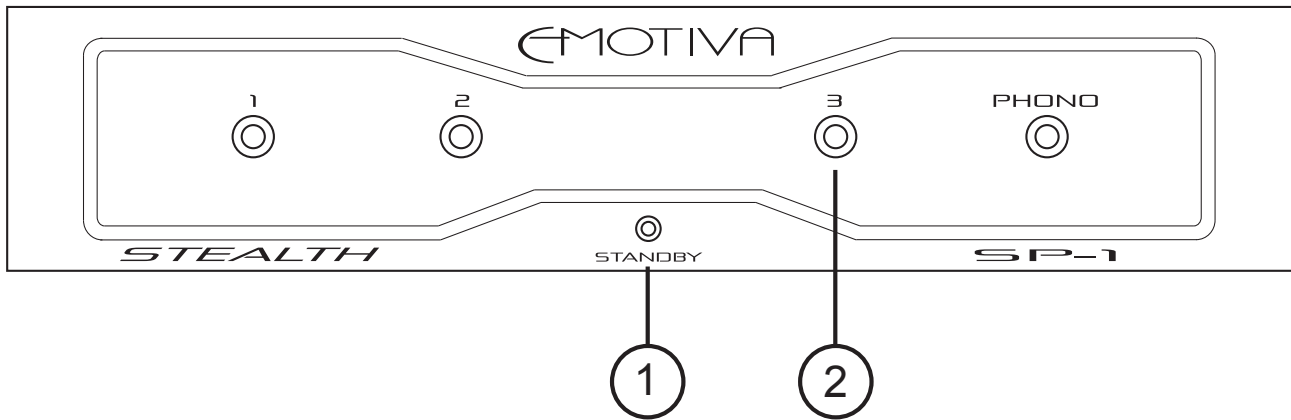
Using the Stealth SP-1 with a Stealth DC-1



Using the Stealth SP-1 with a Control Freak (passive volume control)



Stealth SP-1 (Front Panel)



1. Standby button

Press this button once to turn the SP-1 On, press it again to turn the SP-1 Off.

Note: The SP-1 can only be turned On using the Standby button if the Power switch on the rear panel is On.

2. Input Selector buttons

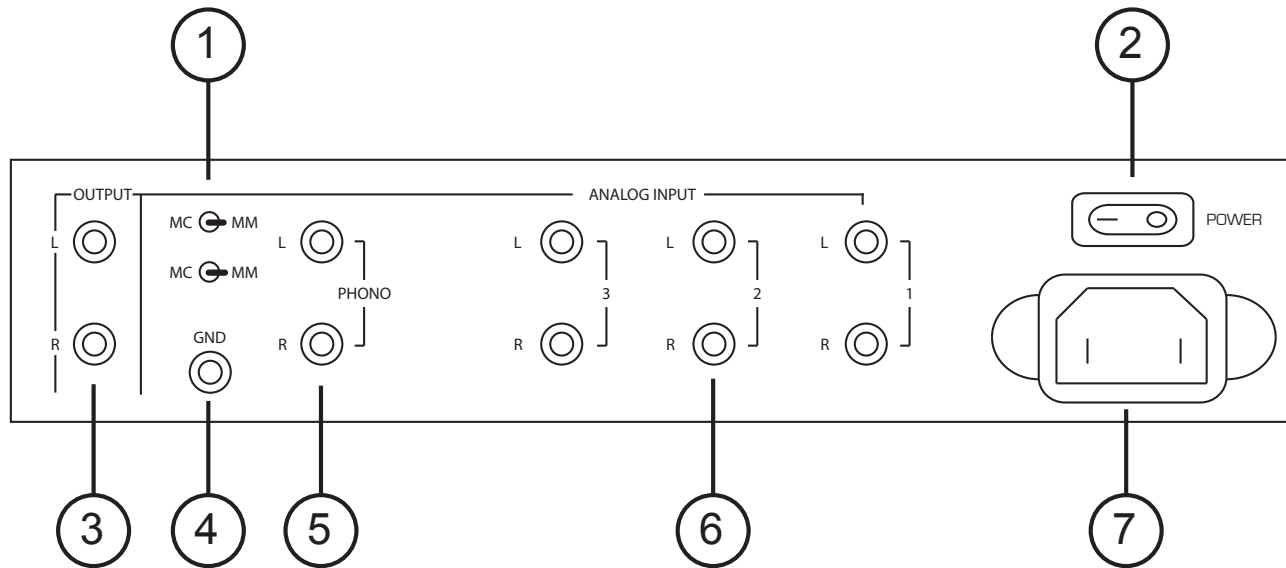
Press one of these buttons to select an input, which is then routed to the output. The halo ring around the selected input will blue.

Input 1 through Input 3 are entirely passive line level analog inputs switched by precision relays, and so add virtually no noise or distortion to the signal. The Phono input button selects the SP-1's high performance internal phono preamp.

Note: Only one input may be selected at once. When you select an input, any previously selected inputs will be deselected.

Note: The SP-1 remembers which input is selected when you power it down and automatically selects the same input the next time you turn it On.

Stealth SP-1 (Rear Panel)



1. Phono Cartridge Type switches

These switches match the gain of the phono preamp in the SP-1 to the output level of your phono cartridge. If your phono cartridge is a moving coil type, then set these switches both to the left (MC); if your phono cartridge is a moving magnet type, then set both switches to the right (MM).

Note: Both switches should be set to either MC or MM.

Note: Some high-output moving coil cartridges are specifically designed to be used with the gain of your phono preamp set to the MM position.

2. Main AC Power switch

This switch controls the main AC power to the Stealth SP-1. Turning this switch On places the SP-1 into Standby mode; turning it off switches the SP-1 Off. This switch must be in the On position before you can turn the SP-1 On using the front panel Standby button.

3. Stereo Analog Outputs

The signal at the selected input on the SP-1 is routed to this output. Input signals from Input 1, Input 2, and Input 3 are routed directly to the output via relays, which add virtually no noise or distortion. The signal received at the Phono Input is amplified and equalized by the SP-1's precision phono preamp, then sent to the output.

Note: Switching for the line level inputs on the SP-1 is via precision control relays; the signal path is entirely passive, no buffering or gain is applied, and no distortion or noise is added to the signal.

Stealth SP-1 Input Selector and Phono Preamp

4. Ground lug

Use this lug to connect a ground wire from your turntable to minimize noise and hum.

Note: Not all turntables provide a separate ground lead. If your turntable provides a separate ground lead it should normally be connected to this lug for best hum and noise performance.

5. Phono Input

Connect the stereo outputs from your turntable to this input.

Note: The Phono Cartridge Type switches (1.) must be set to the correct position for the cartridge you have installed in your turntable, and, if you have a moving coil cartridge, the Cartridge Load switches on the bottom of the SP-1 should be set to the value recommended by your cartridge manufacturer.

6. Line level Analog Inputs

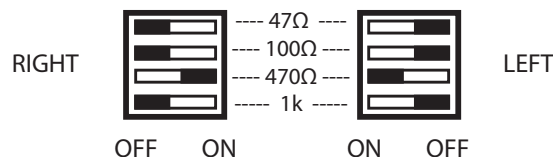
Connect your line level stereo analog sources to these inputs.

7. IEC AC power inlet

Use this connection to provide AC power to the Stealth SP-1. A high-quality commercial AC power cord is provided with the SP-1. You may substitute any IEC power cable of your choice.

Setting The Cartridge Load Switches

If your turntable uses a moving coil cartridge, then you must set the Phono Cartridge Type switches (1.) both to MC. If you choose the MC (moving coil) setting, you will also be able to configure the resistive load seen by the cartridge. This setting will change the way the cartridge sounds, and most manufacturers will offer advice on the best value to choose. (Feel free to change this value if you prefer a different sound; it won't damage your cartridge.) To choose a particular value of resistive load, set the associated switch to On.

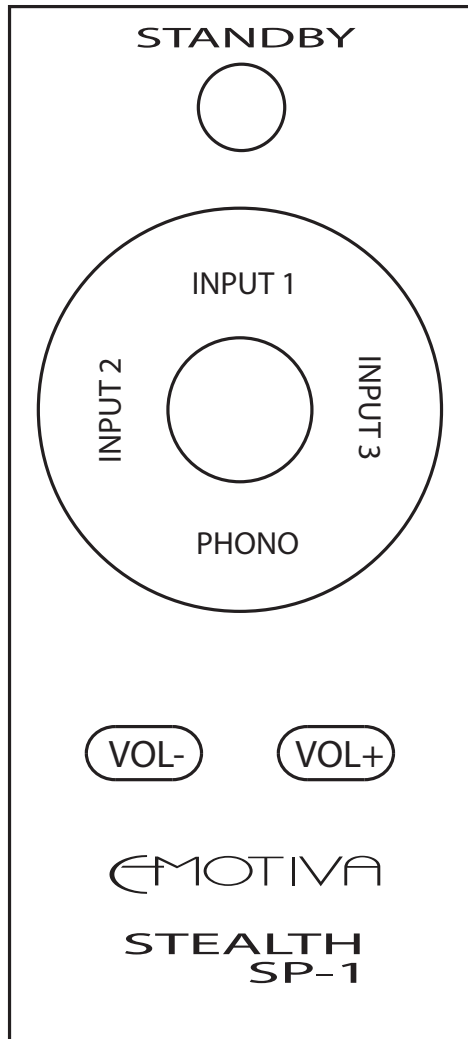


Note: The Cartridge Load switches are located on the BOTTOM of the SP-1.

Note: The switches for both channels should be set the same, and only one load selector switch per channel should be activated at a time. To choose load values, set each switch TOWARD THE CENTER (towards the writing that shows the value).

Note: Load selector switches are only active in MC (moving coil) mode.

Stealth SP-1 (Remote Control)



The Stealth SP-1 can be used with its own compact IR remote control, or it can be controlled by the remote control that is included with the Stealth DC-1. The following section describes the included SP-1 compact remote control.

Note: You must remove the insulator tab from the batteries in the Stealth SP-1 remote control before using it for the first time. (See the Hardware Configuration section for details.)

1. Standby button

The Standby button toggles the power on the SP-1 On and Off.

Note: The Stealth SP-1 will not respond to the Standby button on the remote control unless the rear panel Power switch is first turned On.

2. Input Selector buttons

Press one of these buttons to select an input, which is then routed to the output. When an input is selected, the halo ring around the button for the selected input on the front of the SP-1 will illuminate.

Input 1 through Input 3 are entirely passive line level analog inputs switched by precision relays, and so add virtually no noise or distortion to the signal. The Phono button selects the SP-1's high performance internal phono preamp.

Note: The four sides of the control ring are buttons, and you press them to select the Input. The ring does not rotate or tilt.

3. Vol + and Vol - buttons (used only with DC-1)

The Vol+ and Vol- have no function on the SP-1 itself. If you are using your Stealth SP-1 with a Stealth DC-1, these buttons will operate the Volume Control on your DC-1.

Using The Stealth SP-1 With a Stealth DC-1

The Stealth SP-1 is designed primarily to be used in conjunction with the Stealth DC-1. Together, the SP-1 and DC-1 comprise a powerful and flexible preamp with both line level and phono analog inputs and a full complement of digital audio inputs.

Connections

When the Stealth SP-1 is used with the DC-1, a single set of short stereo interconnects is placed between the outputs on the SP-1 and the Analog Inputs on the DC-1.

Operation

All analog sources will now be connected to the SP-1, and will be controlled by the SP-1, while digital sources will be connected directly to the digital inputs on the DC-1.

When used in this mode, the DC-1 remote control will control both units, and the rear panel Power switches on the SP-1 and DC-1 should be left in the On position.

When the On button on the DC-1 remote control is pressed, both the DC-1 and the SP-1 will turn On and, when the Off button is pressed, both units will turn Off.

All digital inputs are selected as you normally would using the DC-1's remote control. To select any analog source connected to the SP-1, you will press the Analog source button on the DC-1's remote control, which will select the SP-1 as your source. After the SP-1 is selected, pressing the Analog button on the DC-1 remote control will then cycle through the available analog inputs on the SP-1. To switch back to a digital input on the DC-1, simply press the appropriate input selector button for one of the digital inputs on the remote control.

Hardware Configuration

Inserting or changing batteries in the remote control

The battery compartment for the Stealth SP-1's remote control is located on the back towards the bottom. To open the battery compartment, place the remote control face down on a soft surface, and press gently inwards while sliding the battery cover towards the end of the remote control. Once the cover has moved approximately 1/4 inch, you will be able to lift the end towards the end of the remote control and the cover will pop free.

The SP-1 remote control is shipped with a small plastic insulator protecting the battery. Before using it for the first time, you must open the battery cover, pull out the thin transparent plastic strip, and replace the cover. The battery need not be removed to remove the insulator.

When the battery dies, replace it with an equivalent CR2032 3V "button cell" battery. Observe the polarity when removing the original battery and inserting the replacement. The + terminal batter should be facing towards the outside of the remote control when the battery is inserted.

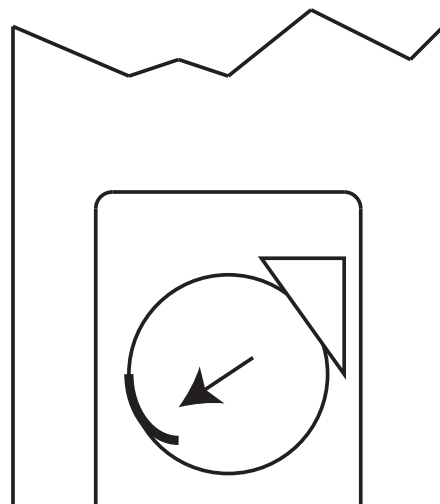
The illustration below shows a close-up of the battery. The remote control is face down, with the bottom towards you. You will notice that the top right corner of the battery is hooked under the plastic face of the battery compartment, and the small plastic lever (which the arrow in the illustration is pointing to) holds the battery in place.

To remove the battery, slide your fingernail along the battery in the direction shown by the arrow to push the small lever past the edge of the battery. When the lever clears the battery, the battery will pop up slightly on that corner. You will then lift the battery from the bottom with your fingernail and unhook it from the plate at the top right.

To insert the fresh battery, first hook the top right corner under the plastic plate, then press the battery down until the small plastic lever pops to the right slightly to engage the battery and lock it in place.

To replace the battery cover, place the cover flat against the remote control, then slide it up until the plastic latch snaps into place.

Note: The remote control ships with battery installed, but with a small insulator strip between the batteries and battery terminal to prevent discharge during shipping. Before using the remote control for the first time, you must open the remote control and remove (pull out) the clear plastic insulator.



Care and Maintenance

Periodic Maintenance

Your Emotiva Stealth SP-1 requires no periodic maintenance or calibration.

Cleaning the Cabinet and Front Panel

- The cabinet of the SP-1 should normally be cleaned with a rag dampened with plain water. **DO NOT** spray water directly onto or into the SP-1, or into the connectors or volume control and encoder, and **DO NOT** use abrasive or chemical cleaners. Gently dry the surface with a clean soft rag after cleaning.
- If necessary, use a mild detergent, wipe the surface with a rag dampened with plain water to rinse it, then gently dry the surface with a clean soft rag.
- If something nasty does get on the sides or top of your SP-1, use a rag dampened with a weak solution of dish detergent or other mild cleaning liquid, followed by a rag dampened with plain water, and dry with a clean rag.
- If it appears that liquid may have spilled into the vents, please disconnect power to the Stealth Sp-1 immediately and contact Emotiva Technical Support.

Stealth SP-1 Input Selector and Phono Preamp

Specifications

Line Level Analog Inputs

Line level analog inputs on the SP-1 are switched using precision control relays. This signal path is entirely passive, and so introduces virtually no additional noise or distortion to the analog signal. The signal level and source impedance are determined solely by the source device.

Phono Input

Input Impedance:

MM: 47k Ohms; MC: user selectable - 47, 100, 470, 1k Ohms

Gain:

MM: 40 dB; MC: 60 dB

Frequency Response:

MM: RIAA + / - 0.12 dB, 20 Hz - 20 kHz

MC: RIAA + / - 0.25 dB, 20 Hz - 20 kHz

Signal to Noise Ratio (S/N; A weighted):

MM: > 88 dB; MC: > 68 dB

THD:

MM: <0.0075 % @ 1 kHz; < 0.03%, 20 Hz - 20 kHz

MC: <0.006 % @ 1 kHz; < 0.08%, 20 Hz - 20 kHz

General

Power Source:

115 VAC or 230 VAC; auto-switching.

Power consumption: approximately 15 watts.

Standard IEC AC power inlet on rear panel.

(Removable / interchangeable power cord; included.)

Main AC Power rocker switch on rear panel.

Size and Weight:

Size: 1.75" high x 8.5" wide x 10" deep (including connectors).

Weight: 3 pounds (1.5 kg)

Stealth SP-1 Input Selector and Phono Preamp

Troubleshooting (line level inputs)

If you don't get any sound at all....

Make sure that you have selected the correct input device.

Make sure the SP-1 has power and the halo ring around the selected input is lit.

Check your source device.

Troubleshooting (phono input)

If you don't get any sound at all....

Make sure that you have selected the correct input device.

Make sure the SP-1 has power and the halo ring around the selected input is lit.

Check your source device.

If you get steady hum or noise....

Phono cartridges put out very small signals. While the SP-1 is quite well shielded (compared to most phono preamps), it will still amplify noise that is picked up by the turntable, the cartridge, and the interconnect cables. Placement and connection of a turntable for best performance requires more care than with most line-level components.

Check the wires going to your turntable.

Make sure that your cables and turntable aren't near any power cables.

If your turntable has a ground cable, attach it to the ground terminal on the SP-1.

Try relocating your turntable or rearranging the connecting cables; especially ensure that the interconnects are not run close to the turntable's power cable.

If you get noises or "birdies" that come and go....

This sort of noise is usually interference from nearby appliances, especially digital devices like computers, cordless phones and cell phones, CF lamps, TVs, air conditioners, and microwave ovens. This interference can come through the power lines or through the air.

Make sure your SP-1 and your turntable aren't located close to sources of interference.

Locate the SP-1 near your turntable and use short interconnects between them.

Try plugging your turntable and / or the SP-1 into a different outlet.

Try using a power conditioner (like our excellent CMX-2).

Stealth SP-1 Input Selector and Phono Preamp

If the sound is overloaded or distorted....

If you're using a moving magnet (MM) cartridge, make sure both switches are set to MM.

Some MC cartridges also have a high output and require that the switches be set to MM.

If the sound level is very low....

If you're using a moving coil (MC) cartridge, make sure both switches are set to MC.

If the channels aren't balanced or sound different from each other....

The MM / MC switches and the cartridge impedance switches (for MC) on the SP-1 are separate for each channel. Make sure the switches for both channels are set the same.

Emotiva Audio Corporation Five-Year Limited Warranty

What does this warranty cover? Emotiva Audio Corporation ("Emotiva") warrants its products against defects in materials and workmanship.

How long does this coverage last? This warranty commences on the date of retail purchase by the original retail purchaser and runs for a period of five years on all electronic components, and for a period of two years on the CD transport mechanism. Emotiva warrants any replacement product or part furnished hereunder against defects in materials and workmanship for the longer of the following: (i) the amount of time remaining under the original warranty, or (ii) 120 days from your receipt of the repaired or replaced product. The duration described in the previous 2 sentences is hereinafter referred to as the "Term". TO THE FULLEST EXTENT PERMITTED BY LAW, ALL IMPLIED WARRANTIES RELATED TO THE ORIGINAL PRODUCT AND ANY REPLACEMENT PRODUCT OR PARTS (INCLUDING IMPLIED WARRANTIES OF MERCHANTABILITY AND FITNESS FOR A PARTICULAR PURPOSE) ARE EXPRESSLY LIMITED TO THE TERM OF THIS LIMITED WARRANTY. SOME STATES DO NOT ALLOW LIMITATIONS ON HOW LONG AN IMPLIED WARRANTY LASTS, SO THE ABOVE LIMITATION MAY NOT APPLY TO YOU. A claim under this warranty must be made by you within the Term. A claim shall not be valid (and Emotiva has no obligation related to the claim) if it is not made within the Term and if it is not made in strict compliance with the requirements of the "How do you get service?" section.

What will Emotiva do? Emotiva will, at its option, either: (i) repair the product, or (ii) replace the product with a new consumer product which is identical or reasonably equivalent to the product. Emotiva may provide you with a refund of the actual purchase price of the product in the event (i) Emotiva is unable to provide replacement and repair is not commercially practicable or cannot be timely made, or (ii) you agree to accept a refund in lieu of other remedies hereunder. When a product or part is repaired or replaced, any replacement item becomes your property and the replaced item becomes Emotiva's property. When a refund is given, the product for which the refund is provided must be returned to Emotiva and becomes Emotiva's property.

What is not covered by this warranty? This warranty does not apply: (i) to damage caused by use with non-Emotiva products, where the non-Emotiva product is the cause of the damage; (ii) to damage caused by service or maintenance performed by anyone who is not a representative of Emotiva; (iii) to damage caused by accident, abuse, misuse, flood, fire, earthquake or other external causes; (iv) to a product or part that has been modified after its retail purchase, where the modification caused or contributed to the damage; (v) to consumable parts, such as batteries; or (vi) if any Emotiva serial number has been removed or defaced and Emotiva cannot otherwise confirm that you are the original retail purchaser. EMOTIVA SHALL NOT BE LIABLE FOR ANY INCIDENTAL OR CONSEQUENTIAL DAMAGES ARISING FROM OR RELATED TO ANY DEFECTS IN OR DAMAGES TO ITS PRODUCTS. SOME STATES DO NOT ALLOW THE EXCLUSION OR LIMITATION OF INCIDENTAL OR CONSEQUENTIAL DAMAGES, SO THE ABOVE LIMITATION OR EXCLUSION MAY NOT APPLY TO YOU.

Stealth SP-1 Input Selector and Phono Preamp

How do you get service? In order to make a claim under the warranty, you must:

1. Call a customer service representative ("CSR") of Emotiva at 1-877-EMO-TECH (1-877-366-8324). Provide the CSR with a description of your problem and the serial number of the product for which the warranty claim is being made.
2. The CSR will provide you with a returned material authorization number ("RMA").
3. Ship the product to Emotiva at the following address, with the RMA written in large, bold numbers on the shipping label on the outside of the box, and with the letters "RMA" written before the number. Parcels arriving without a RMA number on the outside of the box will be refused.

Emotiva Audio Corporation
Attn: Repair Department
139 Southeast Parkway Court
Franklin, TN 37064

How does state law apply? This warranty gives you specific legal rights, and you may also have other rights which vary from state to state.

EMOTIVA

135 SE Parkway Court
Franklin, TN 37064
www.emotiva.com