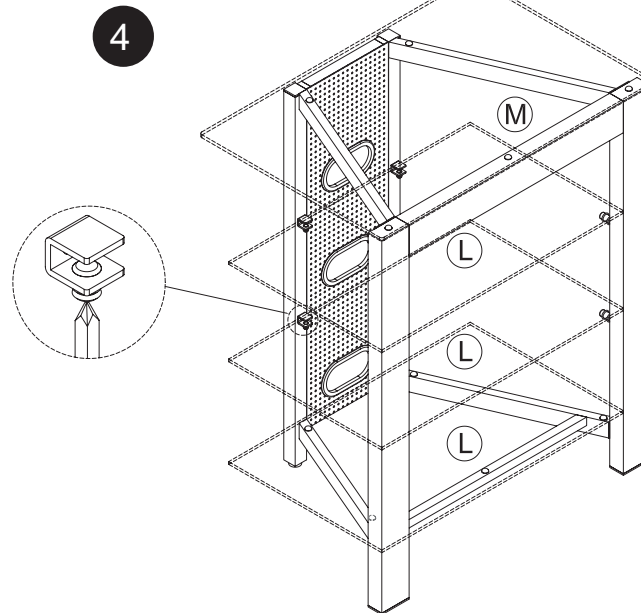
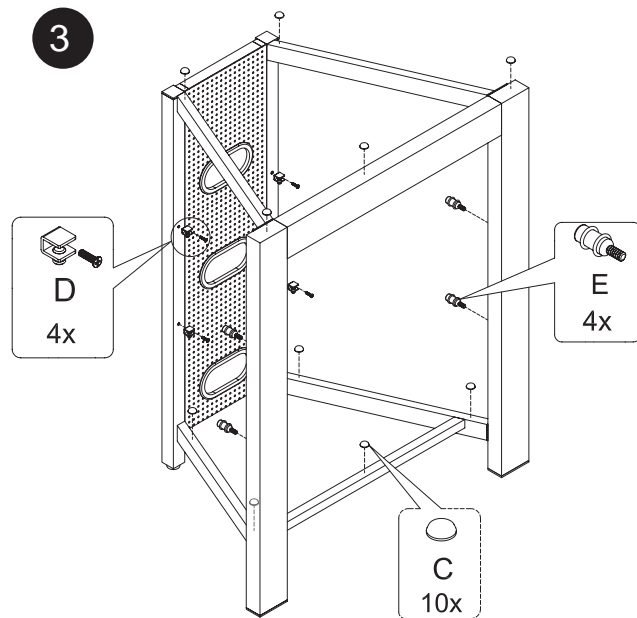
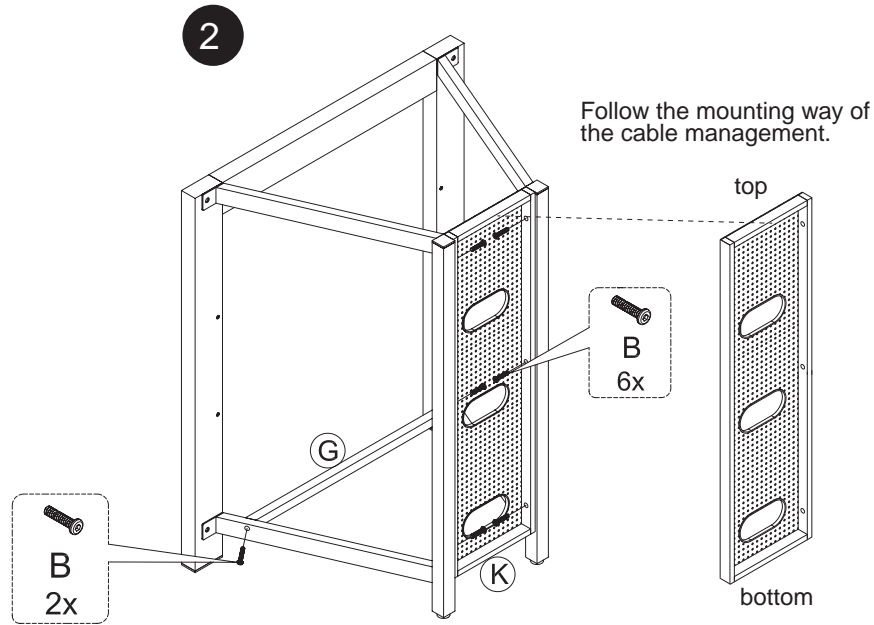
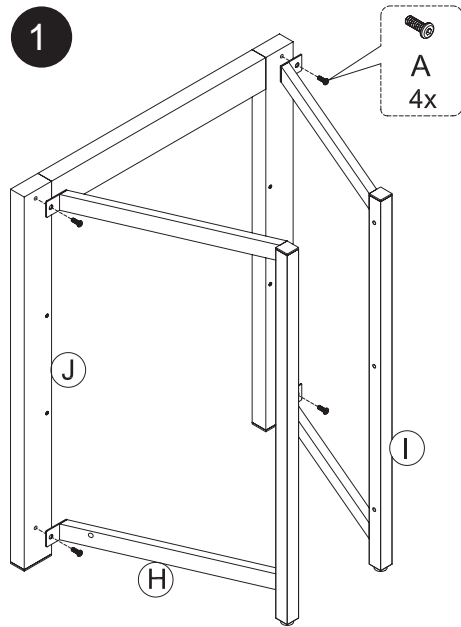







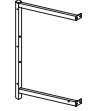

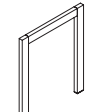

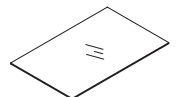
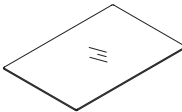


Please follow these instructions carefully, failure to do so may result in injury or damage to your equipment.



NO.	DESCRIPTION	Q'TY
A	M6x15mm 	4
B	M6x22mm 	8
C		10
D		4
E		4
F	M4 	1
G		1
H		1
I		1
J		1
K		1
L		3
M		1