

# EMOTIVA®



## BASX

LCR and SAT Speakers

User Manual





**BasX Speakers**

**Contents**

BasX Speakers..... 1

Introduction .....3

About This Manual.....4

Features .....5

Unpacking.....6

BasX LCR .....7

BasX SAT .....8

Quick Start .....9

Speaker Placement..... 10

Connections ..... 12

Care and Maintenance ..... 13

Emotiva Audio Corporation Three-Year Limited Warranty ..... 14

Notes..... 17



## Introduction

Thank you for purchasing our new Emotiva BasX™ speakers.

The Emotiva BasX series of speakers leverage many of the advanced design features and technologies we developed for our high-end speakers to deliver both excellent technical performance and superb sound quality in a compact form factor. However, by exercising exceptional care in the design process, we've managed to add another feature that's important to many audiophiles: economy. In short, our BasX speakers deliver excellent sound quality and extraordinary value at an unbeatably low price.

Our design philosophy is simple: if a speaker can reproduce the entire audible spectrum, as accurately as possible, with very little distortion or coloration, then it will sound good - whether you're playing classical music, heavy metal, or the sound track of your favorite blockbuster movie.

There are two models in the BasX speaker line: the BasX LCR and the BasX SAT; both were designed to be equally at home in an audiophile stereo system or a home theater system. The BasX LCR utilizes a pair of midrange/bass drivers and a central dome tweeter, and may be positioned either vertically or horizontally; the BasX SAT uses a single midrange/bass driver and dome tweeter, and is intended to be mounted vertically. While a typical installation might consist of three BasX LCR speakers for the front three channels, and one or two pairs of BasX SATs for the surrounds, either model will work well in either role, and they are timbre matched to work perfectly together. For authoritative low frequency performance, we recommend that the BasX LCR and BasX SAT be used in conjunction with an appropriate subwoofer.

The BasX LCR and BasX SAT share many similar features, including the same advanced 1" coated silk fabric dome tweeter, 4" midrange/bass driver with its mineral filled polypropylene cone, and Minimum Acoustic Signature cabinet design. (The BasX LCR uses two identical midrange/bass drivers and a pair of matched rear mounted flared tuning ports, while the BasX SAT uses one midrange/bass driver and a single port.) Both the BasX LCR and BasX SAT can be mounted on stands, or will fit easily on a convenient shelf or TV stand. The BasX LCR is specifically optimized to deliver a concise accurate sound stage when mounted vertically, and to provide excellent imaging and clear intelligible dialog when mounted horizontally for use as a center channel speaker.

Happy listening!

The Emotiva Team

## About This Manual

This manual will provide you with all the information you need to achieve great performance, accurate sound, and many years of reliable service from your BasX speakers.

We suggest that you read through the entire manual; we kept things as short and direct as possible. Even if you're an expert user, you will probably find some interesting information and useful suggestions.

If you're really in a hurry to get started, please read the Quick Start section (on page 9); you may then read the remainder of the manual at your leisure.

You may wish to record serial numbers or other purchase information on the Notes page at the back of this manual.

## Features

The Emotiva BasX LCR and BasX SAT speakers were designed to deliver superb sound for any audiophile stereo or home theater sound system. When paired with a high-quality amplifier or receiver, and a subwoofer, the BasX speakers will deliver clean well-balanced sound with very low distortion and excellent sound stage imaging. The BasX LCR is designed to be positioned vertically as a main or surround speaker, or horizontally as a center channel speaker. The BasX SAT should be positioned vertically, and may be used as a main, center, or surround speaker. They are timbre matched to work perfectly together, so you can use them in any combination.

The following are a few of the feature highlights of our BasX speakers:

- **Coated low resonance 1 inch silk dome tweeter with ferro-fluid cooling and powerful neodymium magnet structure** - delivers smooth, flat high frequency response, with low distortion, and insignificant signal compression.
- **4 inch long throw mid/bass drivers with mineral filled polypropylene cones and rubber surrounds** - deliver smooth midrange and upper bass response for accurate music reproduction and intelligible lifelike voices.
- **Minimum Acoustic Signature™ cabinet** - the angled exterior contours on the BasX speakers serve to minimize diffraction effects and room interactions. The acoustically inert MDF cabinets serve to further reduce vibrations, and contribute to the BasX speakers clean precise imaging.
- **Tough yet attractive exterior** - the tough yet attractive vinyl covering on the BasX speakers blends easily into most room decor, and protects the BasX speakers from damage and fingerprints.
- **Removable grilles** - acoustically transparent black cloth grilles mounted on strong wooden frames protect the drivers in the BasX speakers.
- **Use them with or without the removable grilles** - the front panels on our BasX speakers are fully finished, so they look great with the grilles on or off; choose the look that fits your system and your room decor.
- **Precision crossovers** - carefully designed and optimized to work perfectly with the drivers in each BasX speaker - the crossovers feature air core inductors, and other precision components in critical locations.
- **Full three year warranty** - ensures that you'll be able to enjoy your BasX speakers for years to come.

You can find more information about the Emotiva BasX speakers on our website at [www.emotiva.com](http://www.emotiva.com).

## Unpacking

Your BasX speakers were carefully packed and should reach you in perfect condition. If you notice any shipping damage or other issues when you unpack them, please contact Emotiva immediately.

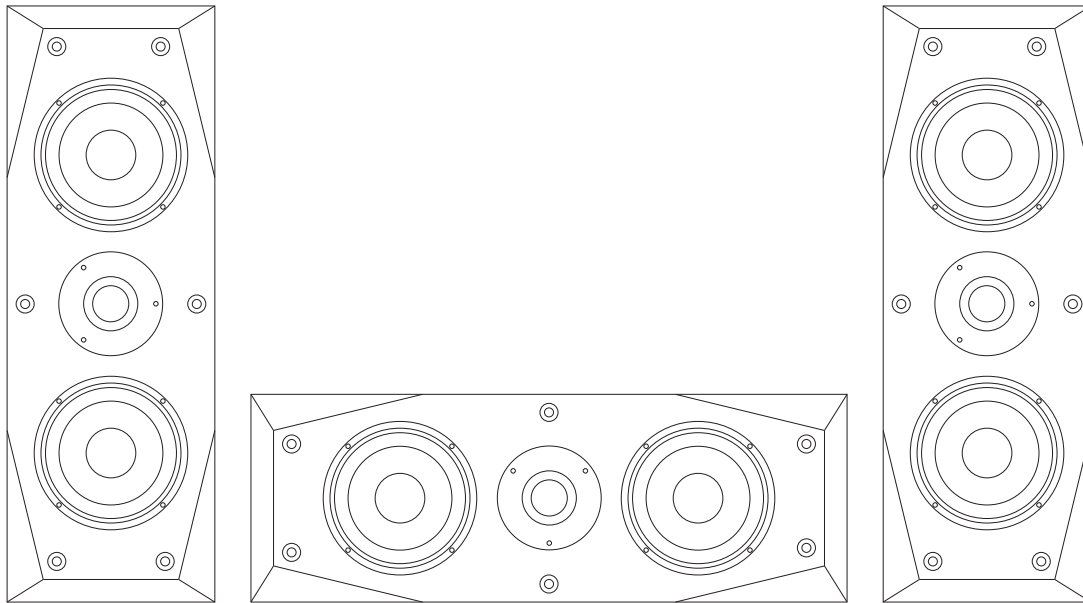
Gently remove your BasX speakers from the packing carton and remove all wrappings and shipping material. Avoid pressing directly on the front of the drivers or dropping any bits of packing material into the port opening.

It is important to save the box and all packing materials in case your BasX speakers ever need to be moved or shipped back to the factory for service.

Please keep your sales receipt in a safe place. It is the easiest way to verify your purchase date for warranty purposes, and may also be required if you ever have to file an insurance claim.

We truly value customer feedback and would like to hear from you.



**BasX LCR**

The BasX LCR is a two way speaker, featuring a ferro-fluid cooled 1 inch silk dome tweeter, a pair of matched long throw 4 inch mid/bass drivers with mineral filled polypropylene cones and rubber surrounds, and dual rear firing tuning ports. The BasX LCR may be used vertically as a left or right main or surround speaker, or horizontally as the center channel speaker in a surround sound system.

**Driver Complement**

High frequency driver - 1 inch low resonance coated silk dome tweeter with neodymium rare-earth magnet structure and ferro-fluid cooling.

Mid/bass drivers - Dual 4 inch long throw mid-woofers with mineral filled polypropylene cones and rubber surrounds.

Cabinet type - Rear ported (dual ports).

**Electrical Specifications**

Efficiency - 87 dB (2.83V/1m).

Power handling - 100W continuous / 200W peak.

Nominal impedance - 8 ohms.

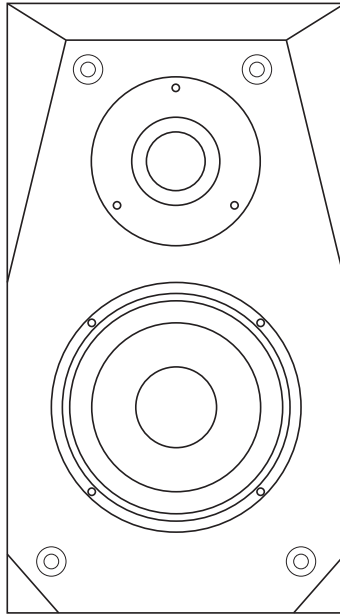
Frequency response - 80 Hz - 25 kHz (+/- 3 dB).

**Mechanical**

Dimensions - 16.5 inches wide x 5.75 inches high x 6.88 inches deep (including grill).

Weight - 9.65 pounds.

Grille - Removable; acoustically transparent black cloth over a rigid wood frame.

**BasX SAT**

The BasX SAT is a two way speaker, featuring a ferro-fluid cooled 1 inch silk dome tweeter, a long throw 4 inch mid/bass driver with a mineral filled polypropylene cone and rubber surround, and a rear firing tuning port. The BasX SAT is designed to be used vertically, as a left or right main or surround speaker, or as the center channel speaker in a surround sound system.

**Driver Complement**

High frequency driver - 1 inch low resonance coated silk dome tweeter with neodymium rare-earth magnet structure and ferro-fluid cooling.

Mid/bass driver - 4 inch long throw mid-woofer with mineral filled polypropylene cone and rubber surround.

Cabinet type - Rear ported.

**Electrical Specifications**

Efficiency - 87 dB (2.83V/1m).

Power handling - 50W continuous / 100W peak.

Nominal impedance - 4 ohms.

Frequency response - 80 Hz - 25 kHz (+/- 3 dB).

**Mechanical**

Dimensions - 5.75 inches wide x 10.5 inches high x 6.88 inches deep (including grill).

Weight - 5.65 pounds.

Grille - Removable; acoustically transparent black cloth over a rigid wood frame.

## Quick Start

To get the most from your Emotiva BasX speakers, we urge you to read the entire manual. If you just can't wait to hear how great your BasX speakers sound, this section will cover the basics you need to get started.

- Find secure locations for your BasX loudspeakers.
- Connect your BasX speakers to your power amp or receiver using good quality speaker cables.
- Find some music you *really* like to listen to.
- Enjoy!

While you're enjoying your BasX speakers, it would be a great time to read the rest of the manual to learn more about them.

## Speaker Placement

Speaker placement is often a compromise between optimum performance, personal preference, and site requirements. The optimum location for stereo speakers will depend on the speakers and the acoustics of your listening room. Many surround sound standards have specific recommendations about the optimum position for each speaker, and the different surround sound systems recommend slightly different locations. The important thing to remember is that each room is different, and so these recommendations should be considered to be guidelines rather than rules; you should always position your speakers where they sound the best to *you*, in *your* room, with *your* other equipment.

The BasX LCR can be positioned vertically or horizontally, although we recommend that only the center channel be positioned horizontally, while the BasX SAT typically performs best when positioned vertically. Either may be positioned on a strong shelf, table, TV cabinet, or speaker stand - whichever is most convenient.

While both BasX speakers deliver well-balanced sound within their specified operating range, for authoritative bass, we recommend that they be used with an appropriate subwoofer. (We recommend one of our BasX SUB models.)

### Guidelines for stereo speaker placement:

- For good imaging, always try to place speaker pairs in symmetrical locations (equidistant from side and back walls).
- Facing the speakers directly forward will tend to produce a wide sound stage; adding toe-in (so that the speakers directly face the listening position) will make the sound stage more focused.
- Moving the speakers further apart will make the sound stage wider, but may cause a gap in the center of the sound stage.
- Placing the speakers at least a few feet from front and side walls will usually improve imaging and smooth frequency response.
- Placing speakers close to room corners will usually boost bass, but often at the cost of making the bass more boomy and less smooth.
- If possible, try to make the room acoustically symmetrical from side to side; doing so will usually significantly improve imaging. (If you have something reflective, like a large window, on one side, have a large picture or bare wall on the other. If you have a large absorptive couch on one side wall, balance it with a tapestry on the opposite wall.)
- If possible, stereo speakers should be placed symmetrically, and the listening position located equidistant from both speakers.
- If you place the speakers on a deep shelf or table, they will usually sound best if positioned at the front edge of the shelf - so sound doesn't reflect from a flat surface directly in front of them. If they must be placed towards the rear of a deep shelf, consider covering the surface directly in front of them with a felt pad or towel.

**Guidelines for home theater / surround sound speaker placement:**

- It's best to use speakers that all use similar technology, and that are "timbre matched" to each other. If this is impossible, then at least the front left, front right, and center speakers should be well matched. The BasX LCR and BasX SAT are very closely timbre matched, and so work well together in virtually any combination.
- In a typical 5.1 channel installation, the surround speakers should be located directly to the sides of the primary listening position.
- In a typical 7.1 channel installation, the side surround speakers should be located to the sides, and slightly forward or behind the listener; the rear surrounds may be located on the rear wall, or far back on the side walls and angled forward.
- Remember that the goal is to produce a consistent sound stage that surrounds you, where sounds associated with moving objects move smoothly from left to right and from front to back.
- While many pre/pros, like our XMC-1, offer automatic room correction, you will get the best results if you start with your speakers in locations that offer good imaging and great sound to begin with.
- In a surround sound installation, either all speakers should be the same, or the surround speakers should be smaller than the main speakers.

Some typical examples of 5.1 channel systems:

- 5 BasX LCRs; 1 sub
- 3 BasX LCRs (for the front three channels); 2 BasX SATs (for the surrounds); 1 sub
- 5 BasX SATs; 1 sub

•

Some typical examples of 7.1 channel systems:

- 7 BasX LCRs; 1 sub
- 3 BasX LCRs (for the front three channels); 4 BasX SATs (for the surrounds); 1 sub
- 5 BasX LCRs (fronts and surrounds); 2 BasX SATs (rear surrounds); 1 sub
- 7 BasX SATs; 1 sub

## Connections

Although the BasX speakers have no special connection requirements, the following suggestions may be helpful:

- Always use high-quality speaker wire of reasonable gauge (16 gauge or heavier)
- If you must use thinner wire, try to keep the length as short as possible
- Be careful to wire both (or all) speakers "in phase" (the plus/red terminal on each speaker to the plus/red terminal on your amp)
- Try to use wires of equal length and gauge for symmetrical pairs of speakers (don't use a long 16 gauge wire for your Left Front and a short 10 gauge wire for the Right Front)
- If you use stranded cables, use care to avoid short circuits (from stray strands touching)
- Emotiva offers very high quality pre-made speaker cables at reasonable prices (you will find them in the Interconnects section of our website at [www.emotiva.com](http://www.emotiva.com))

## Care and Maintenance

### *Periodic Maintenance*

Your BasX speakers require no periodic maintenance or calibration.

### *Cleaning the Cabinet and Baffle*

- The cabinets of the BasX speakers should normally be cleaned with a rag dampened with plain water. **DO NOT** spray water directly onto or into the speaker and **DO NOT** use abrasive or chemical cleaners. Gently dry the surface with a clean soft rag after cleaning.
- If necessary, use a mild detergent, wipe the surface with a rag dampened with plain water afterwards to rinse it, and then gently dry the surface with a clean soft rag.
- If something nasty does get on the sides or top of your BasX speaker, use a rag dampened with a weak solution of dish detergent or other mild cleaning liquid, followed by a rag dampened with plain water, and then dry with a clean rag.

### *Cleaning the Grill Cloth*

- If necessary, the grill cloth may be carefully vacuumed to remove dust or hair.
- Animal hair may be removed by using a "tape" type lint remover or soft brush. Avoid using brushes with stiff bristles that may pull or damage the grill cloth.

**Note: DO NOT use any sort of liquid or wet cloth on the midrange and woofer cones, and avoid touching the tweeter diaphragm with either your fingers or any sort of cleaning cloth or brush. DO NOT use a vacuum to clean the speaker drivers.**

## Emotiva Audio Corporation Three-Year Limited Warranty

### What does this warranty cover?

Emotiva Audio Corporation (Emotiva) warrants its products against defects in materials and workmanship. This warranty, and all rights provided hereunder, is limited to the original owner. In the event the original owner transfers ownership of the Product after the first year of ownership, but prior to the expiration of the applicable term described below, this Warranty shall terminate immediately upon such transfer of ownership.

This Warranty only applies to Products purchased directly from Emotiva or any of its Authorized Dealers or International Distributors.

Emotiva warrants any replacement product or part furnished hereunder against defects in materials and workmanship for the longer of the following: (i) the amount of time remaining under the original warranty, or (ii) 120 days from your receipt of the repaired or replaced product. The duration described in this paragraph is hereinafter referred to as the "Term".

TO THE FULLEST EXTENT PERMITTED BY LAW, ALL IMPLIED WARRANTIES RELATED TO THE ORIGINAL PRODUCT AND ANY REPLACEMENT PRODUCT OR PARTS (INCLUDING IMPLIED WARRANTIES OF MERCHANTABILITY AND FITNESS FOR A PARTICULAR PURPOSE) ARE EXPRESSLY LIMITED TO THE TERM OF THIS LIMITED WARRANTY. SOME STATES DO NOT ALLOW LIMITATIONS ON HOW LONG AN IMPLIED WARRANTY LASTS, SO THE ABOVE LIMITATION MAY NOT APPLY TO YOU.

The original owner must make a claim within the Term of the Warranty. A claim shall not be valid (and Emotiva has no obligation related to the claim) if it is not made within the Term and if it is not made in strict compliance with the requirements of the "How do you get service?" section.

### How long does this coverage last?

This warranty commences on the date of retail purchase by the original retail purchaser and runs for a period of three years thereafter, with the exception of accessories, cables, Big Ego, Little Ego, remote controls, and the ERC-3 CD transport mechanism\*. This warranty may be transferred once by the original owner during the initial one year of ownership, and is non-transferable thereafter to the original or subsequent owner during the Term. Emotiva warrants any replacement product or part furnished hereunder against defects in materials and workmanship for the longer of the following: (i) the amount of time remaining under the original warranty, or (ii) 120 days from your receipt of the repaired or replaced product. The duration described in this paragraph is hereinafter referred to as the "Term".

\*Accessories, cables, Big Ego, Little Ego, and remote controls have a one-year warranty to the original owner. The CD transport mechanism on the ERC-3 has a two-year warranty to the original owner.

### What will Emotiva do?

Emotiva will, at its option, either: (i) repair the product, or (ii) replace the product with a new consumer product which is identical or reasonably equivalent (in Warrantor's sole discretion) to the product. In the event Warrantor, in its sole discretion, is unable to replace or repair the Product or it is not commercially practicable to do so, then: (i) if the claim was submitted during the first 365 days of the Term, Warrantor shall refund to you the purchase price that you paid for the Product; and (ii) if the claim was submitted after the first 365 days of the Term, Emotiva shall issue you a credit equal to the purchase price that you paid for the product. The credit may only be used for the purchase of merchandise from Emotiva, and cannot be used for freight charges.



When a Product or part is repaired or replaced, any replacement item becomes your property and the replaced item becomes Emotiva's property. When a refund or credit is given, the Product for which the refund or credit is provided must be returned to Emotiva and becomes Emotiva's property.

**What is not covered by this warranty?**

This warranty does not apply: (i) to damage caused by use with products not manufactured by Emotiva, where the non-Emotiva product is the cause of the damage; (ii) to damage caused by service or maintenance performed by anyone who is not a representative of Emotiva; (iii) to damage caused by accident, abuse, misuse, flood, fire, earthquake or other external causes; (iv) to a product or part that has been modified after its retail purchase, where the modification caused or contributed to the damage; (v) to consumable parts, such as batteries or failure of or damage to the Product caused by batteries; (vi) if any Emotiva serial number has been removed or defaced on the product; (vii) glass or plastic panels, cabinetry, trim or other appearance items; (viii) cosmetic wear or damage to remote controls by user.

EMOTIVA SHALL NOT BE LIABLE FOR ANY INCIDENTAL OR CONSEQUENTIAL DAMAGES ARISING FROM OR RELATED TO ANY DEFECTS IN OR DAMAGES TO ITS PRODUCTS. SOME STATES DO NOT ALLOW THE EXCLUSION OR LIMITATION OF INCIDENTAL OR CONSEQUENTIAL DAMAGES, SO THE ABOVE LIMITATION OR EXCLUSION MAY NOT APPLY TO YOU.

**How do you get service?**

In order to make a claim under the Warranty, you must:

1. Call or e-mail a customer service representative at 1-877-EMO-TECH (1-877-366-8324) or support@emotiva.com. You must provide a description of your problem, the serial number of the Product for which the warranty claim is being made, and the original purchase date.
2. Then, you will be provided with a warranty service authorization number ("WS").
3. Next, you must ship the Product to the following address, with the WS written in large, bold numbers on the outside of the box, and with the letters "WS" written before the number, for example: WS1234. Parcels arriving without a WS number on the outside of the box will be refused. The customer pays for the shipping to Warrantor. Warrantor pays for the shipping back to the customer within the continental United States only. Customer is responsible for shipping charges on all other warranty claims.

**Emotiva Audio Corporation**  
**Attn: Repair Department**  
**139 Southeast Parkway Court**  
**Franklin, TN 37064**

Units will be refused by Emotiva for the following:

- Product was sent without the WS#
- Product was sent with inadequate packaging.
- Product was damaged in transit.
- Product was shipped collect for shipping charges.

**How does state law apply?**

This warranty gives you specific legal rights, and you may also have other rights which vary from state to state.

**What if my product is damaged on the way to you?**

Emotiva is not liable for damages that may incur while an item is in transport to us. Please purchase insurance when you ship your item. If your Product was not adequately packaged, we will refuse receipt and the damaged package will be returned to you at your cost. If you do not have the original Emotiva Audio packaging, please check with our sales department to purchase replacement-shipping cartons.

**How does the Warranty and service apply to international orders?**

The Product Warranty is only valid in the country where the Emotiva product was originally shipped via an authorized dealer, distributor, or direct from the Emotiva factory. The Warranty is subject to change at any time depending on the laws and regulations within your specific country. Please check with your distributor for a complete understanding of the warranty in your county.

If you purchased your Emotiva Product outside of the USA and wish to have it serviced at the factory, all freight charges are your responsibility. If you do not have an authorized distributor or repair center in your country, your Product must come back to the Emotiva USA factory for warranty service.

This warranty gives you specific legal rights, and you may also have other rights which vary from state to state.

**What if my product is damaged on the way to you?**

Emotiva is not liable for damages that may incur while an item is in transport to us. Please purchase insurance when you ship your item. If your Product was not adequately packaged, we will refuse receipt and the damaged package will be returned to you at your cost. If you do not have the original Emotiva Audio packaging, please check with our sales department to purchase replacement-shipping cartons.

**How does the Warranty and service apply to international orders?**

The Product Warranty is only valid in the country where the Emotiva product was originally shipped via an authorized dealer, distributor, or direct from the Emotiva factory. The Warranty is subject to change at any time depending on the laws and regulations within your specific country. Please check with your distributor for a complete understanding of the warranty in your county.

If you purchased your Emotiva Product outside of the USA and wish to have it serviced at the factory, all freight charges are your responsibility. If you do not have an authorized distributor or repair center in your country, your Product must come back to the Emotiva USA factory for warranty service.

# Notes

---

---

---

---

---

---

---

---

---

---

---

---

---

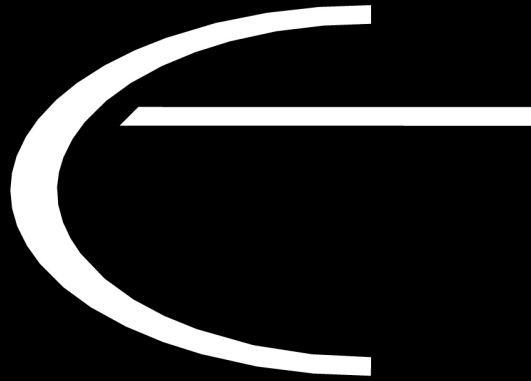
---

---

---

---

All information contained in this manual is accurate to the best of our knowledge at the time of publication. In keeping with our policy of ongoing product improvement, we reserve the right to make changes to the design and features of our products without prior notice.



Emotiva Audio Corporation  
135 Southeast Parkway Court  
Franklin, TN 37064

[www.emotiva.com](http://www.emotiva.com)