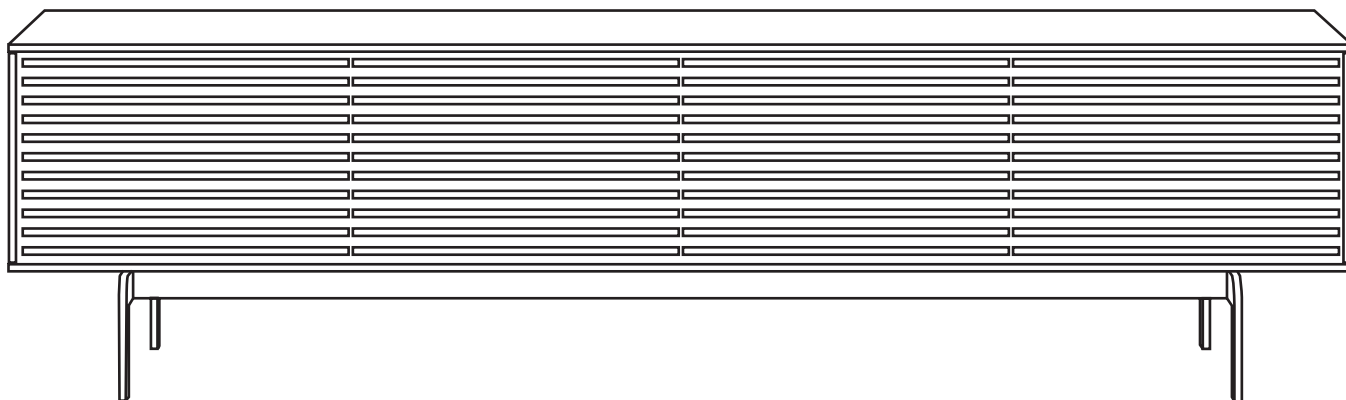


ALIGN™ 7473/79

4 BAY MEDIA CABINET WITH CONSOLE / MEDIA LEG

INSTRUCTION MANUAL

LET'S GET STARTED.



DESIGN MATTHEW WEATHERLY

BDi

BDIUSA.COM

Congratulations on the purchase of your Align Media Cabinet 7473 / 7479 from BDI. Your cabinet has been designed to provide a lifetime of enjoyment. This manual will provide you with assembly instructions and other helpful information that will ensure that you get the most out of your cabinet. Please save it for future reference.

Your Align cabinet has been engineered for simple assembly. Please follow these directions carefully to prevent any damage.

Should you need further assistance, contact BDI at customerservice@bdiusa.com.

ENJOY!




HARDWARE AND COMPONENTS

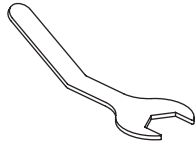
Unpack and identify the parts listed below. The assembly workspace should be a non-marring surface such as carpet. For missing hardware pieces, please contact BDI Customer Service at customerservice@bdiusa.com.

Do not use power tools for assembly of this product.

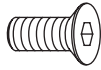
For all other concerns, please contact your BDI retailer.



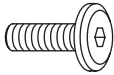
PART #	T1
DESCRIPTION	Hex Wrench
QUANTITY	1



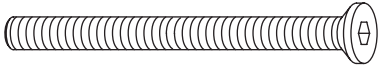
PART #	T2
DESCRIPTION	Hex Leveler
QUANTITY	1




PART #	H1
DESCRIPTION	M6 x 18mm Flathead Screw
QUANTITY	8



PART #	H2
DESCRIPTION	M6 x 12mm Screw
QUANTITY	8



PART #	H3
DESCRIPTION	M6 x 83mm Flathead Screw
QUANTITY	6

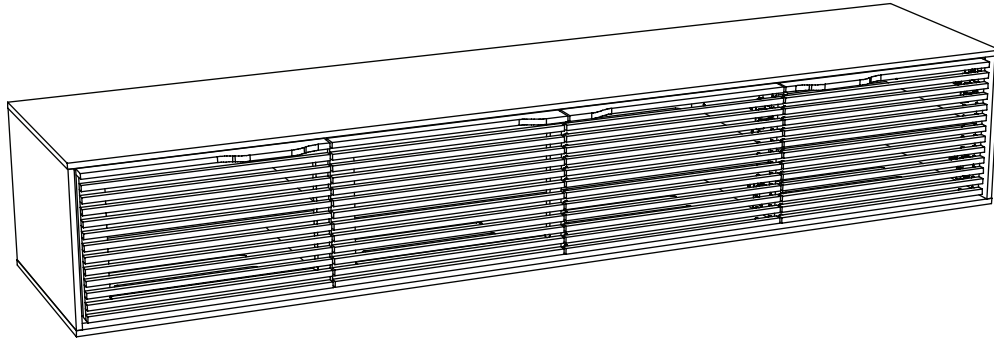


PART #	H4
DESCRIPTION	KLEET™ Cord Wrap
QUANTITY	2

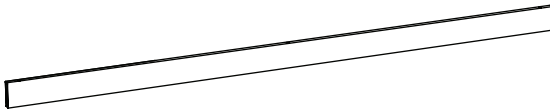


PART #	H5
DESCRIPTION	TV Safety Strap
QUANTITY	1

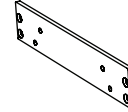
HARDWARE AND COMPONENTS



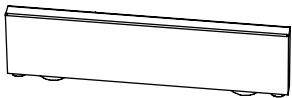
PART #	A1
DESCRIPTION	Cabinet: 7473 Low Quad (shown) or 7479 Tall Quad
QUANTITY	1



PART #	A2
DESCRIPTION	Base Rail
QUANTITY	2



PART #	A3
DESCRIPTION	End Plate
QUANTITY	2

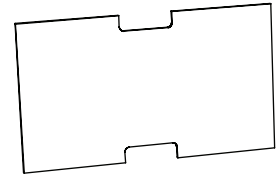


OR

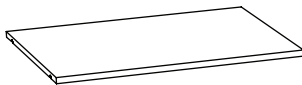


PART #	A4
DESCRIPTION	Media Leg
QUANTITY	2

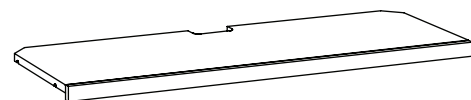
PART #	A5
DESCRIPTION	Console Leg
QUANTITY	2



PART #	C1
DESCRIPTION	Back Panel
QUANTITY	2



PART #	C2
DESCRIPTION	Small Adjustable Shelf
QUANTITY	2


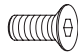


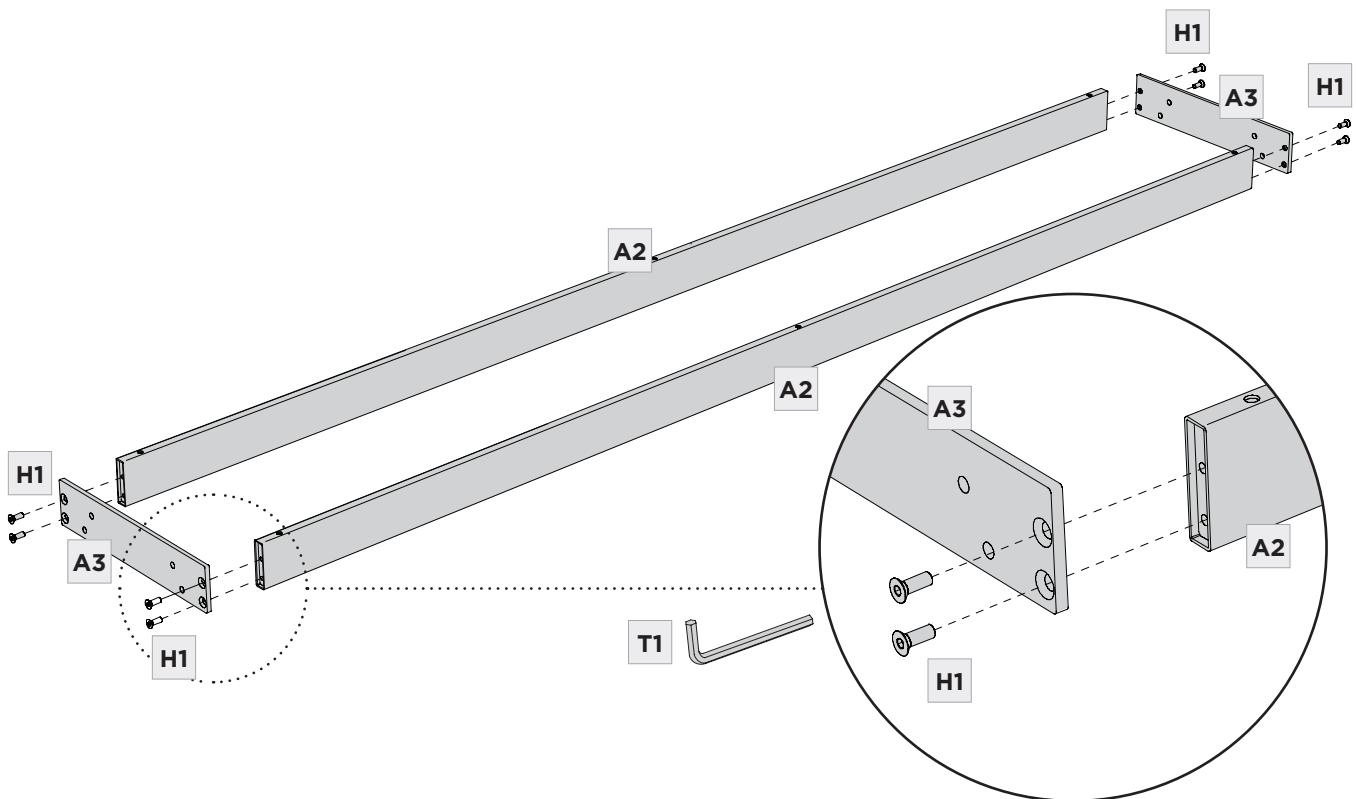
PART #	C3
DESCRIPTION	Large Adjustable Shelf
QUANTITY	1

STEP 1. BUILD THE BASE


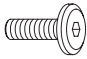
ASSEMBLY

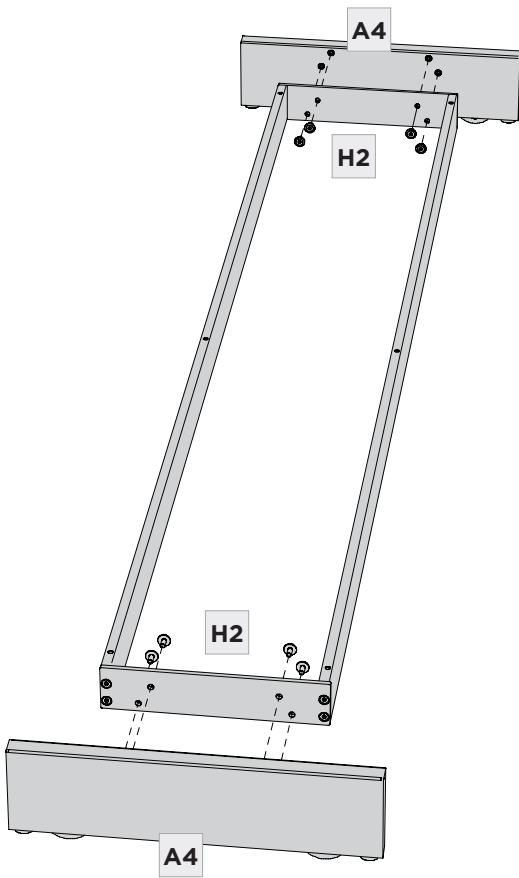
Connect **(A3) End Plates** to **(A2) Base Rails** using **8 (H1) Flathead Machine Screws**. Tighten with **(T1) Hex Wrench**.

	PART/DESCRIPTION	QTY
	T1-HEX WRENCH	1
	H1-FLATHEAD MACHINE SCREW	8

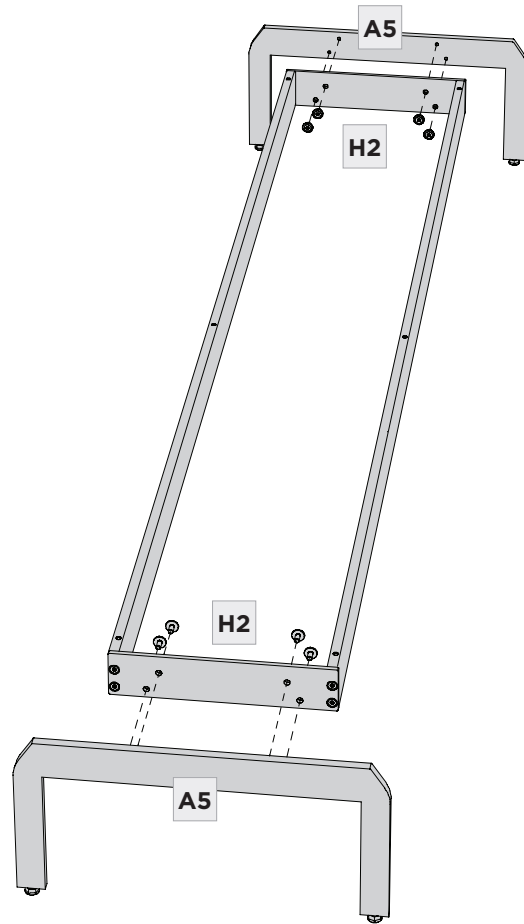


Connect either **(A4) Media** or **(A5) Console Legs** to the ends of the **base assembly** using **8 (H2) Machine Screws** as shown. Start all screws before fully tightening the screws with **(T1) Hex Wrench**.

	PART/DESCRIPTION	QTY
	T1-HEX WRENCH	1
	H2-MACHINE SCREW	8



MEDIA LEGS



CONSOLE LEGS


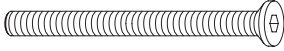
STEP 3. ATTACH THE BASE

2 PERSON TASK

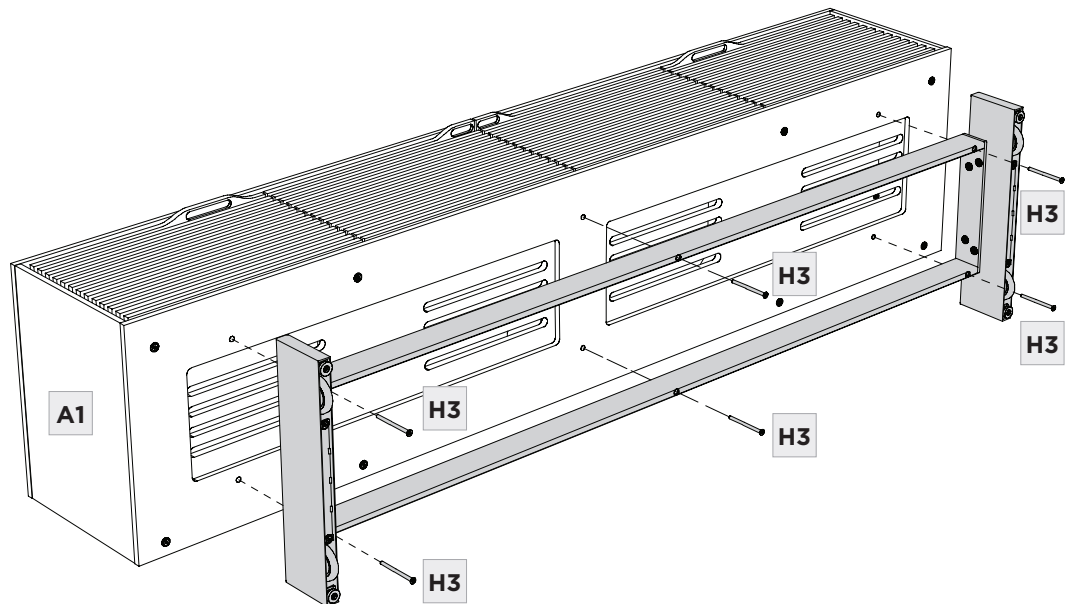


ASSEMBLY

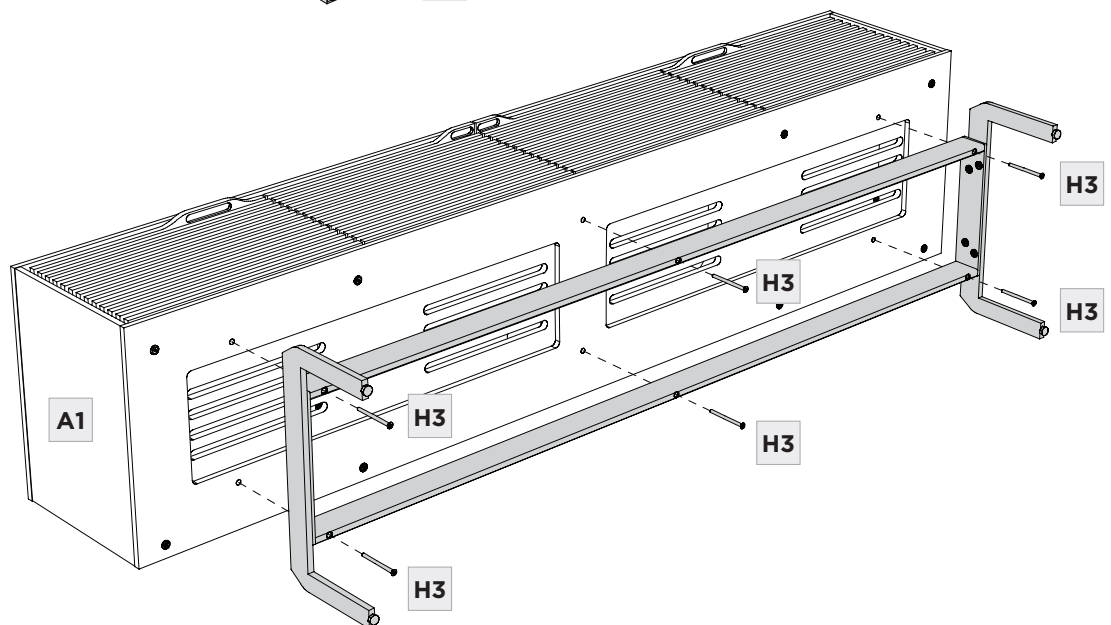
Make sure cartons are still inside the **(A1) Cabinet** to keep the shelves in place. With help from another person, carefully position the **(A1) Cabinet** on its back as shown. Attach the **base** to the **(A1) Cabinet** with **6 (H3) Flathead Screws** using **(T1) Hex Wrench**. Do **NOT** fully tighten until all screws are started.

	PART/DESCRIPTION	QTY
	T1-HEX WRENCH	1
	H3-FLATHEAD SCREW	6

MEDIA BASE



CONSOLE BASE



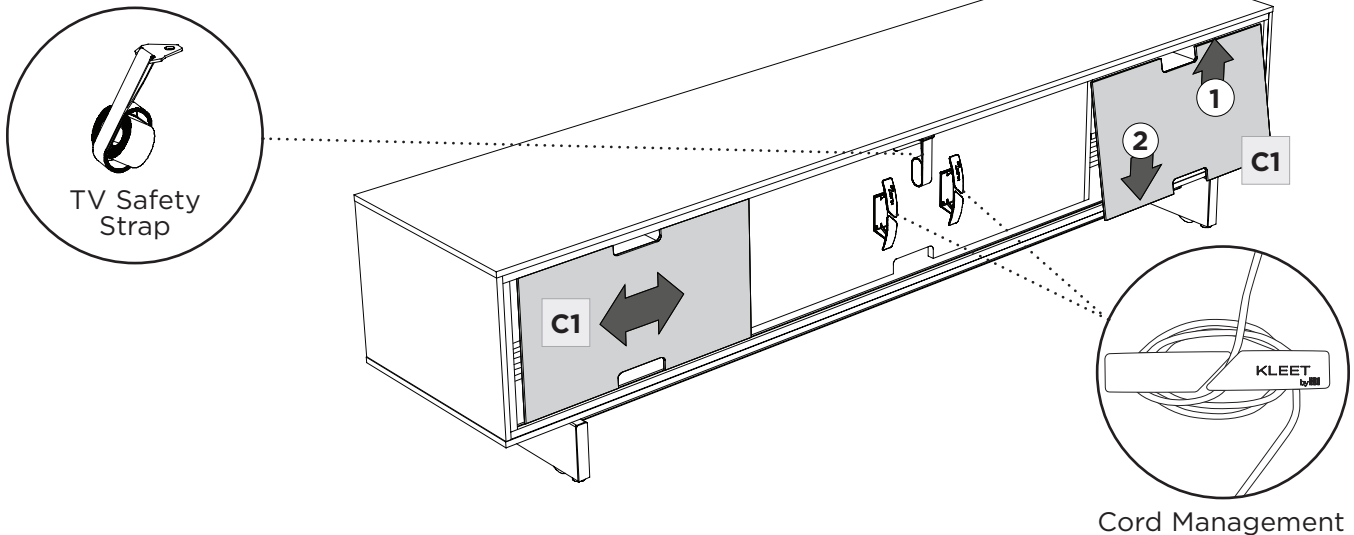
ASSEMBLY

STEP 4. INSTALL BACK PANELS

The **2 (C1) Back Panels** are removable and can slide towards the middle. To install, put the top edge of the back panel into the top groove, then drop the bottom edge into the bottom groove.

Your Align Media Cabinet comes with **2 (H4) KLEET Cord Wraps** which can be used for cord management.

A **(H5) TV Safety Strap** is included. To secure your TV to the cabinet, unravel the bundle and follow the instructions on the hang tag.



FINE TUNING

ADJUSTABLE SHELF AND LEVEL CABINET

The **(C2 & C3) Adjustable Shelves** may be adjusted by unscrewing the shelf pins and repositioning them.

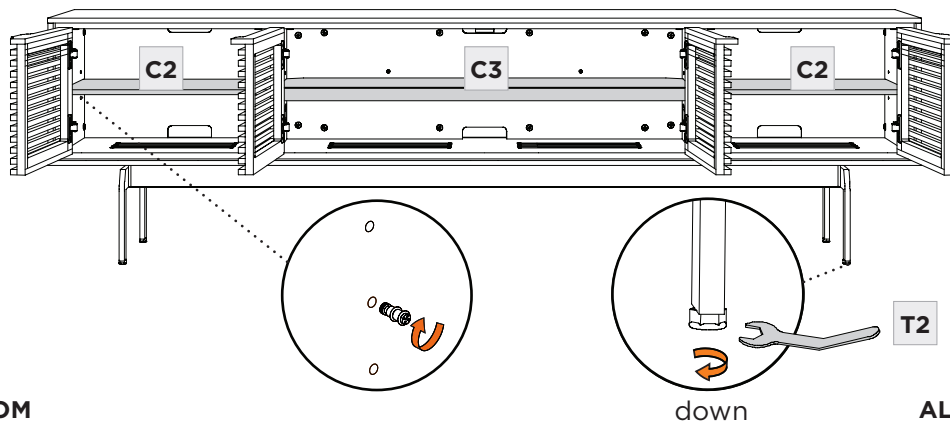
Levelers are accessed at the bottom of each leg.

If your floor is uneven, extend one or more levelers

using **(T2) Hex Leveler Wrench** to attain a level, stable cabinet placement. Turning the leveler

clockwise will extend the leveler; turning it counter-clockwise will retract it. **Leveling the cabinet will improve door alignment.**

	PART/DESCRIPTION	QTY
	T2-HEX WRENCH	1



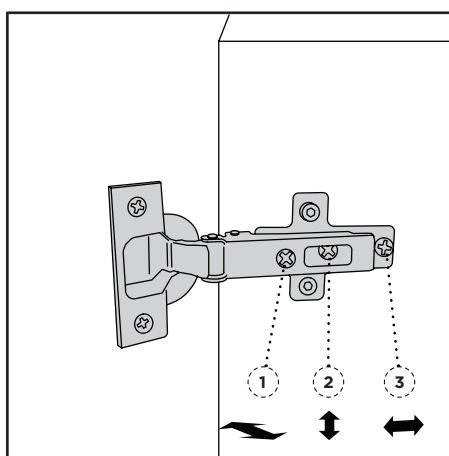
These steps are to be followed after you have unpacked and completed the simple assembly instructions for your console. Due to jostling in freight or perhaps an uneven floor, the doors on your cabinet may not appear to be in perfect alignment. Making a few minor adjustments can rectify this situation. The high-quality European hinge hardware is adjustable. Through a little adjustment, you can modify the orientation of the cabinet doors to make sure that they are sitting perfectly on your unit.

The doors on your cabinet should be evenly spaced and the doors should open and close freely without rubbing against the door frame. If the cabinet's doors appear out of alignment, this condition can be corrected with minor adjustment to the European hinges on each door. Because these hinges are adjustable, adjusting one hinge element can sometimes cause the need for adjustments to other elements. But with a few adjustments, you can modify the orientation of the cabinet doors to make sure that they hang perfectly within your cabinet.

	PART/DESCRIPTION	QTY
	T1-PHILLIPS SCREWDRIVER	1

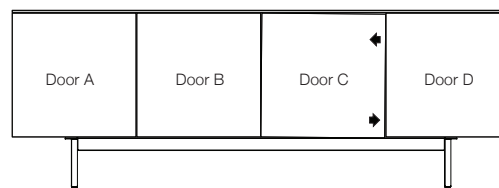
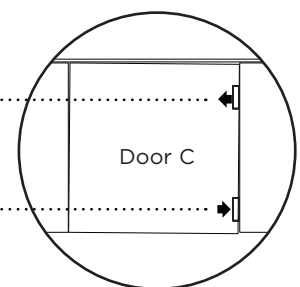
Use a **PHILLIPS SCREWDRIVER** to adjust the door hinges:

- By adjusting **SCREW 1**, the door will move LEFT or RIGHT within the frame. Make minor adjustments at both top and bottom hinges for best results.
- By adjusting **SCREW 2**, the door will move UP or DOWN.
- By adjusting **SCREW 3** the entire door will move IN or OUT, opening or closing the gap between the door frame and cabinet. (This screw rarely needs adjustment.)



Tightening **SCREW 1** on top hinge will open the seam between Door C & Door D here

Loosening **SCREW 1** on this hinge will close the seam between Door C & Door D here



CARE & MAINTENANCE

GLASS

Glass surface is maintained using household glass cleaner and a paper towel or cloth.

SATIN-ETCHED GLASS

This uniquely smooth-to-the-touch glass surface can be regularly maintained using household glass cleaner and a paper towel or cloth. Minor scratches or scuffs not eliminated using paper towel or cloth can usually be removed by using a 'Magic Eraser'. Magic Eraser is a melamine foam product available at any grocery store or home improvement center. Dampen the entire glass surface as well as the Magic Eraser, then rub the entire glass surface in broad, even strokes using moderate pressure. Clean and dry the surface with a paper towel. Check for results and repeat as necessary.

Any scratches or scuffing not eliminated by one of the above methods can often be addressed by 'refreshing' the glass. This is a process that should not be required more than once per 6-12 months. See this brief video for the simple method: www.bdiusa.com/glass

WOOD

Wood surfaces should be cleaned with a slightly damp (not saturated) cloth or paper towel. Do not use glass cleaner on wood. If moisture remains, dry the surface with another cloth. If needed, a gentle non-abrasive cleanser may be used, but be sure to wipe away all cleaner residue and dry the surface with a cloth.

BDI's wood finishes feature natural hardwood solids and veneers. Wood is a product of nature and—unlike man-made materials that can be manufactured to strict and consistent specifications—has natural imperfections that are part of its appeal and character. Every piece of wood differs from every other, even when coming from the very same tree. As such, variation in grain, texture and tone should be expected from one panel or piece of furniture to the next.

While BDI's stained wood finishes are stable in tone & appearance, all finishes are subject to some degree of discoloration with prolonged exposure to direct sunlight. Please take care to avoid positioning your BDI cabinet in any area with extensive direct sunlight. To learn more about the features of natural wood, visit www.bdiusa.com/wood

METAL & PAINTED SURFACES

Surfaces should be cleaned with a slightly damp (not saturated) cloth or paper towel. If moisture remains, dry the surface with another cloth. If needed, a gentle non-abrasive cleanser may be used, but be sure to wipe away all cleaner residue and dry the surface with a cloth.

WARRANTY

BDI warrants to the original purchaser that for the below stated warranty term, BDI will repair or replace any product, part, or component covered by this warranty which fails under normal use as a result of a defect in material or workmanship. BDI will repair or replace the aforementioned product, part or component with a comparable product, part or component. The decision to repair or replace will be at BDI's sole discretion.

BDI Home Theater Furniture, Office Furniture, Modular Systems, Tables and other furniture pieces are warranted for three (3) years from the date of purchase as shown on your sales receipt. The warranty period starts from the date of purchase. This warranty extends only to the original purchasers who acquire new product from BDI Authorized Resellers. Any product, part, or component must have been assembled, installed, used, and maintained according to BDI's published instructions in order to be eligible for warranty coverage. Any modification to the original product voids the warranty.

To view BDI's complete warranty information, visit www.bdiusa.com/warranty

PRODUCT REGISTRATION

Registering your new BDI product allows us to send you important product updates, service information and helpful hints related to your BDI products. Register today, and you will be entered to win free a BINK table from BDI: www.bdiusa.com/register



WARNING

SERIOUS OR FATAL CRUSHING INJURIES CAN OCCUR FROM FURNITURE TIP-OVER. TO HELP PREVENT TIP-OVER:

- Install tip-over restraint.
- Place heaviest items in lower compartments.
- Never allow children to climb or hang on drawers, doors or shelves.
- Never open more than one drawer at a time.

USE OF TIP-OVER RESTRAINT MAY REDUCE—BUT NOT ELIMINATE—THE RISK OF TIP-OVER.



These distinctive product configurations are protected by US and international patents, trade dress, and/or copyright laws. Align & BDI are trademarks of Becker Designed, Inc. All rights reserved. ©2020, BDI | V.02.07.2020

Made in China.