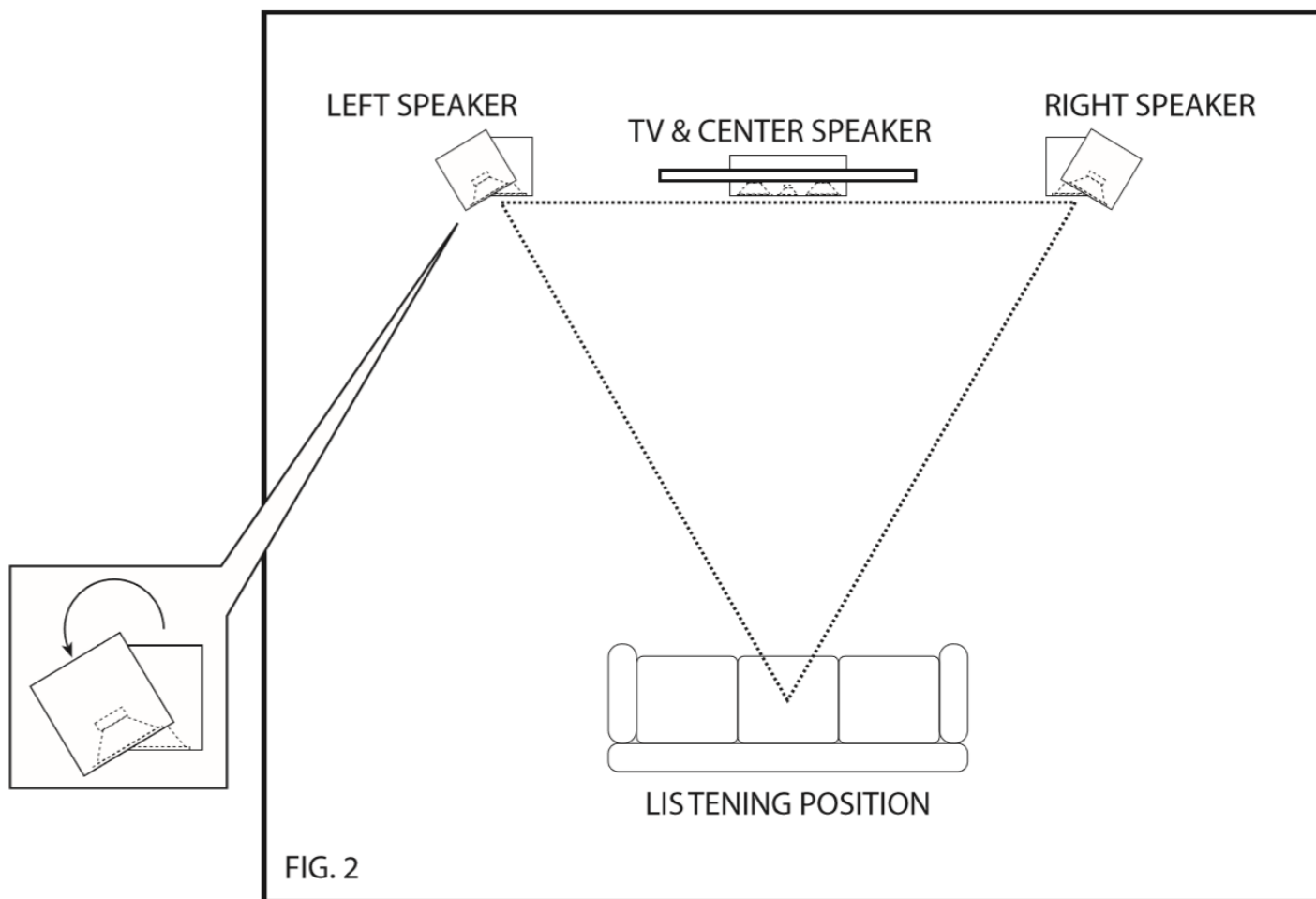


# Stereo Setup

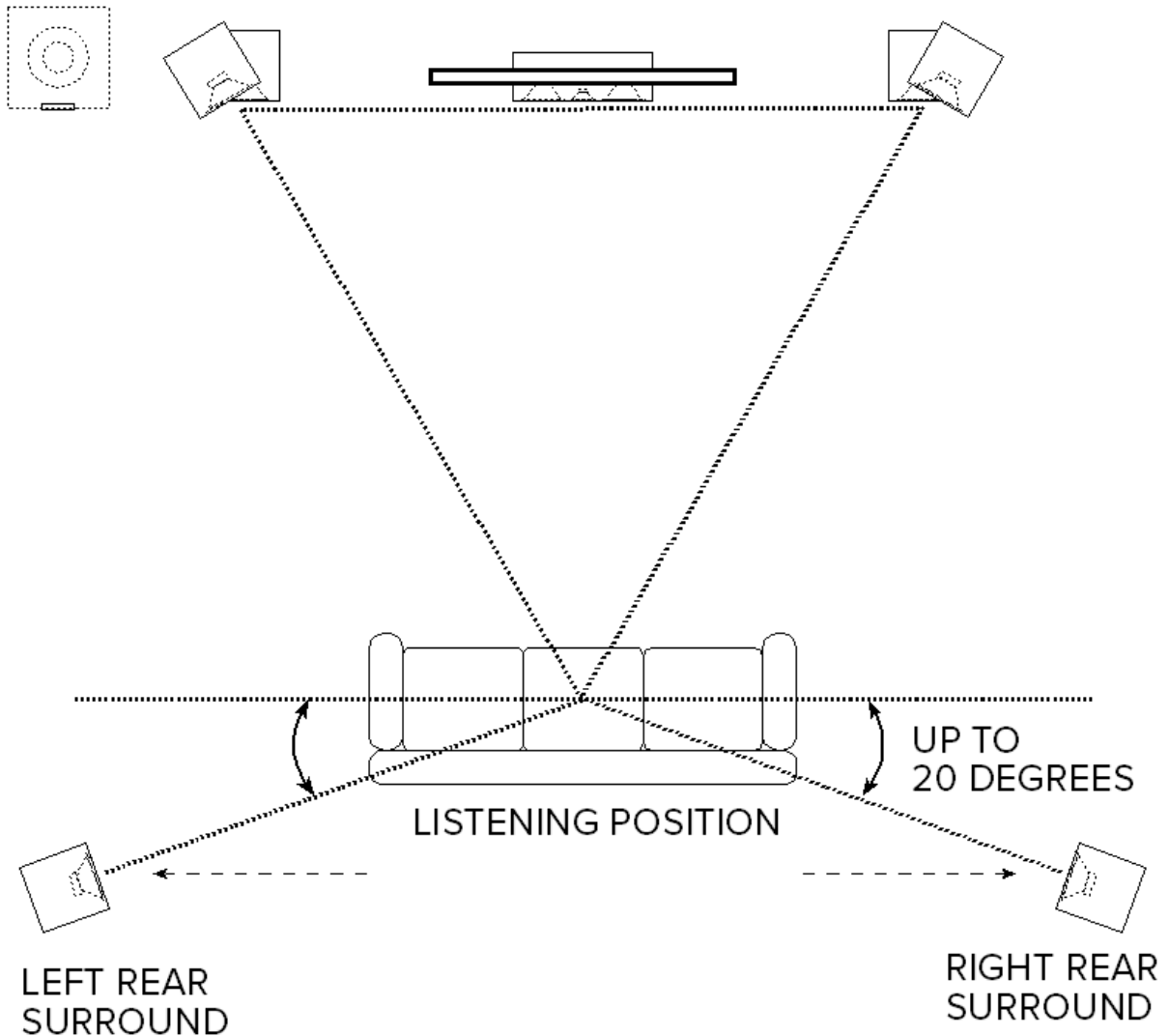
- For the best results and the most realistic stereo image and lifelike sound, place the speakers so that an equilateral triangle (fig. 2) is created between the speakers and your favorite listening position. This set up creates the optimum imaging performance.
- If you find that your B5.2/B6.2 or F5.2/F6.2 left and right speakers are too far apart, angle (toe in) them towards the listening position to gain a more focused central image .



2-CHANNEL STEREO SETUP

# Surround Sound Setup

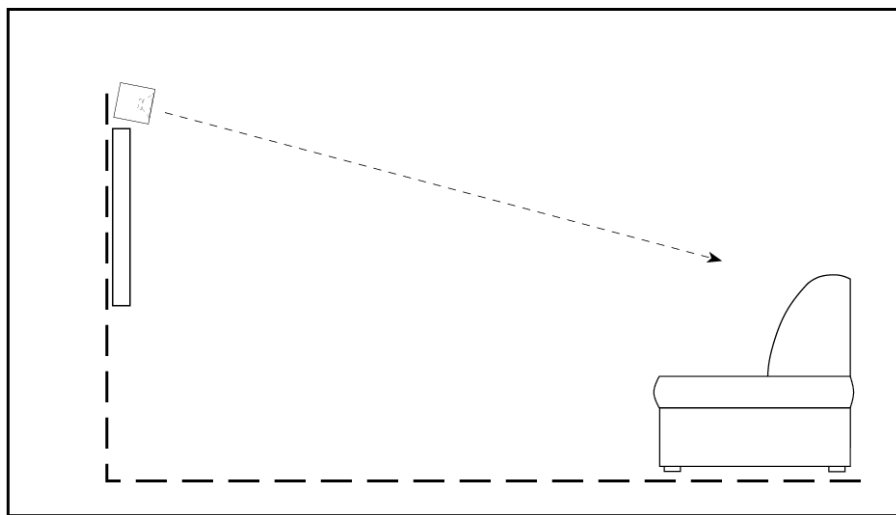
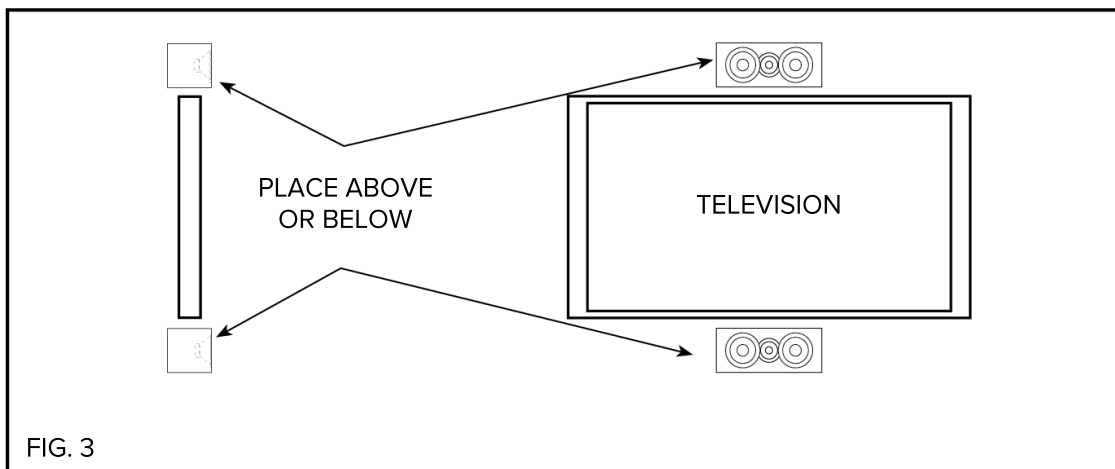
Whether you use the B5.2/B6.2 bookshelf or the F5.2/F6.2 floorstanding speakers for a 5.1-channel surround set-up, avoid placing the surround speakers forward of your listening position. The surround speakers should be spread apart wider than the front speakers. In addition, elevate the speakers to the same height or slightly higher as the front speakers for the most enveloping sound field. Like the front speakers, you may need to experiment with the positioning by pointing the rear surround speakers towards the listening area.



5.1-CHANNEL SURROUND SET-UP

# Center Speaker Setup

The ELAC C5.2/C6.2 center channel is designed to produce dialog sounds and should be positioned above or below (fig. 3) your television. Align it with the center of the television. As much as possible, try to keep the C5.2/C6.2 close to the same level (height) as your front speakers for a more even sound stage. Keeping the same height for the center channel can be very challenging so it might be necessary to tilt the center speaker up (if too low) or down (if too high), to aim it towards the listening area.



Optimal results for the center are obtained by setting the receiver/processor center channel size to small. If you have a choice, set the crossover frequency to 80Hz.

# OW4.2 On-Wall Speaker Setup

The ELAC OW4.2 on-wall speakers are designed as either on-wall surround speakers, on-wall front channel speakers, or on-wall side channel speakers. Do not block the speaker vents on the bottom of the speakers. We have included wall brackets for mounting the speakers to the wall, however mounting hardware is not included. We highly suggest that a professional installer performs this installation. Different wall materials require different types of mounting hardware.

Mount the speaker bracket using the supplied screws to the rear of the speaker as shown in Fig. 1.

Mount the wall bracket to the wall using the appropriate mounting hardware based on your wall type. We recommend you consult an installation professional for mounting the wall plate to ensure a secure mount. Wall Mounting screws are not provided.

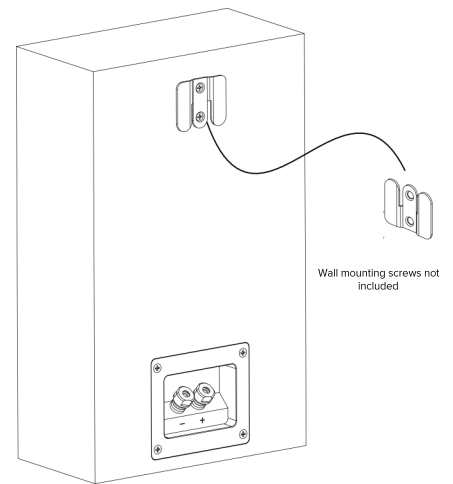
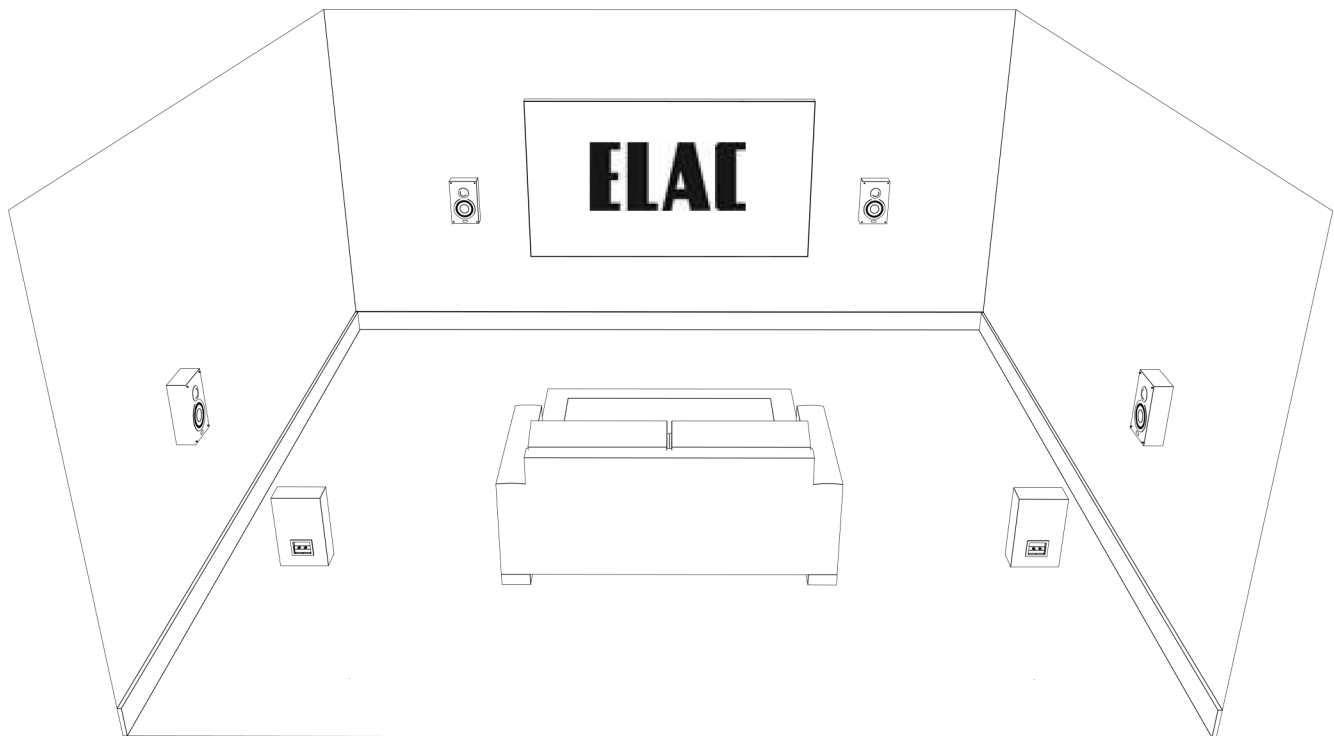


Fig. 1



Typical Placement for On-Wal Speakers

# SPECIFICATIONS

	<b>B5.2</b>	<b>B6.2</b>	<b>F5.2</b>	<b>F6.2</b>	<b>C5.2</b>
Enclosure Type	2-Way Bass Reflex	2-Way Bass Reflex	3 - Way Bass Reflex	3– Way Bass Reflex	2-Way Bass Reflex
Frequency Response	46Hz - 35,000Hz	44Hz - 35000Hz	42Hz - 35000hz	39Hz–35000Hz	55Hz - 35000Hz
Nominal Impedance	6 Ohms	6 Ohms	6 Ohms	6 Ohms	8 Ohms
Sensitivity	86db @ 2.83v/1m	87db @ 2.83v/1m	86db @ 2.83v/1m	87db @ 2.8mv/1m	87db @ 2.83v/1m
Crossover Frequency	2200Hz	2200Hz	90Hz/2200Hz	90Hz/2200Hz	2200Hz
Max Power Input	120 Watts	120 Watts	140 Watts	140 Watts	120 Watts
Tweeter	1" Cloth Dome	1" Cloth Dome	1" Cloth Dome	1" Cloth Dome	1" Cloth Dome
Woofer	5.25 Inch Aramid Fiber	6.5 Inch Aramid Fiber	3 x 5.25 Inch Aramid Fiber	3 x 6.5" Inch Aramid Fiber	2 x 5.25 Inch Aramid Fiber
Cabinet	CARB2 Rated MDF	CARB2 Rated MDF	CARB2 Rated MDF	CARB2 Rated MDF	CARB2 Rated MDF
Cabinet Finish	Black Brushed Vinyl	Black Brushed Vinyl	Black Brushed Vinyl	Black Brushed Vinyl	Black Brushed Vinyl
Port	Dual Flared	Dual Flared	3 x Dual Flared	3 x Dual Flared	Dual Flared
Binding Posts	5-Way Metal	5-Way Metal	5-Way Metal	5-Way Metal	5-Way Metal
Dimensions (WxHxD)	7.09" x 13.43" x 9.21"	7.69" x 14.76" x 10.55"	7.09" x 40" x 9.21"	7.69" x 43.18" x 10.55"	21.25" x 7.09" x 8.62"

	<b>C6.2</b>	<b>OW4.2</b>
Enclosure Type	2-Way Bass Reflex	2-Way Bass Reflex
Frequency Response	55Hz - 35000Hz	70Hz - 35000Hz
Nominal Impedance	8 Ohms	6 Ohms
Sensitivity	88db @ 2.83v/1m	87db @ 2.83v/1m
Crossover Frequency	2200Hz	2500Hz
Max Power Input	120 Watts	80 Watts
Tweeter	1" Cloth Dome	1" Cloth Dome
Woofer	2 x 6.5 Inch Aramid Fiber	4 Inch Aramid Fiber
Cabinet	CARB2 Rated MDF	CARB2 Rated MDF
Cabinet Finish	Black Brushed Vinyl	Black Brushed Vinyl
Port	Dual Flared	Dual Flared
Binding Posts	5-Way Metal	5-Way Metal
Dimensions (WxHxD)	23.35" x 7.61" x 10.55"	7.87" x 12.76" x 3.94"

**ELAC Americas Inc.**  
**North America Limited Liability Warranty**  
**Passive Speakers (No Built-in Amplifier)**

ELAC Americas Inc. warrants to the original purchaser that this product be free from defects and or workmanship for a period of 3 (Three) years from the original date of purchase. During this time period, repair or replacement of parts will be free of charge to the original owner (See below limitations). Shipping to and return from the repair center will be the responsibility of the original purchaser.

**Limitations**

- Warranty begins on the date of original purchase from an authorized ELAC Americas Inc. dealer.
- Product is warranted only if used in home applications within the max power rating specified in this manual. Commercial use of this product is not warranted.
- Product that has been modified or altered in anyway will not be warranted.
- Product that has been abused or subjected to faulty equipment will not be warranted.
- Products with defaced or removed serial numbers will not be warranted.

**If service is required**

In the event that service is required, please contact ELAC America at 888-541-0996 or at [customerservice@elac.us](mailto:customerservice@elac.us) to arrange for service or replacement. You will be responsible to provide proof of purchase (Copy or original sales receipt). Shipping to and from our repair center will be the responsibility of the original purchaser.

**Warranty Outside of North America**

This warranty applies to products purchased in the United States and Canada. For warranty claims outside of North America please contact the local dealer/distributor in the country of purchase.

**ELAC** The life of sound.

ELAC AMERICAS INC.  
11145 KNOTT AVE. SUITES E & F  
CYPRESS, CA. 90630

ELAC ELECTROACUSTIC GMBH  
FRAUNHOFERSTRASSE 16  
24118 KIEL, GERMANY