

## TVM 3205 Fixed TV Wall Mount

Article number (SKU)  
Colour

3832050  
Black

### Key Benefits

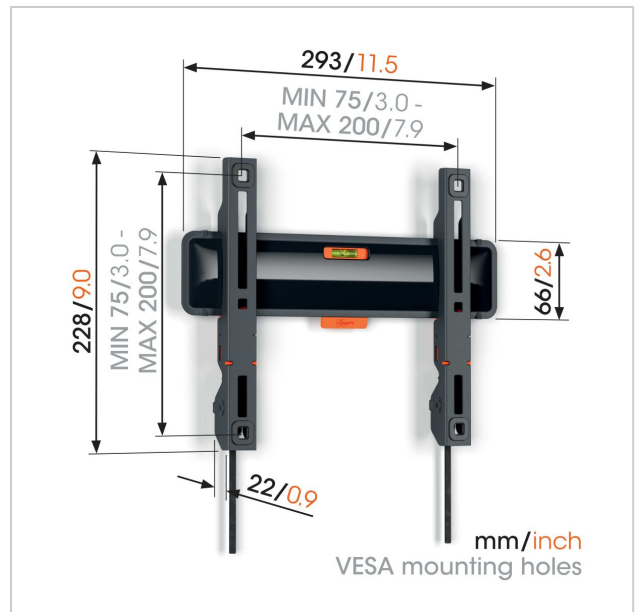
- Framed like a painting: just 2.2 cm from the wall
- Lock your TV with a single click through ClickLoc™
- Spirit level included
- Protective TV patches - Protect the rear of your TV with soft protective patches
- Easy cable access

### Stylish and safe: flat TV wall mount for TVs from 19 to 50 inches

This TV wall mount from the COMFORT Fixed series is the ideal solution if you want to mount your TV safely and stylishly on the wall. The TV wall mount is suitable for TVs from 19 to 50 inches and weighing up to 30 kg. There is only 2.2 cm between your TV and the wall. The COMFORT Fixed TV wall mount is a fixed wall mount. It cannot be turned or tilted. The perfect choice if you sit directly in front of the TV.

### Enjoy your TV with peace of mind

You want to enjoy your TV with peace of mind. Even with children or pets in the house. With this stylish COMFORT Fixed TV wall mount, you have that certainty. The wall mount excels in terms of design, durability and safety. The wall mount is equipped with the unique ClickLoc™ security system. This system locks your TV securely to the wall mount with an audible click. Soft patches on the TV wall mount protect the back of your TV while it is being mounted. Special maintenance position Do you still need to access the back of your TV after mounting, for example to change a cable or USB stick? No problem. Your COMFORT Fixed TV wall mount has a special maintenance position. Easy installation Installing the COMFORT Fixed TV wall mount is easy. Everything is clearly explained in the enclosed Quick Installation Guide. You can also view the detailed manual or the installation video online. A drilling template, screws and Fischer® DuoPower plugs are included, and the wall mount itself has a built-in spirit level. With our free DrillRight™ AR App, you can easily mark out the first drill hole.



# TVM 3205 Fixed TV Wall Mount



VOGEL'S HOLDING BV 2019 (c) All rights reserved.  
 Subject to printing errors, technical and price amendments.  
 Date:2021-08-26

[www.vogels.com](http://www.vogels.com)

## Specifications

Product type number	TVM 3200 Series
Article number (SKU)	3832050
Colour	Black
EAN single box	8712285347627
Product size	S
Height	228
Width	293
TÜV certified	Yes
Guarantee	10 years
Min. screen size (inch)	19
Max. screen size (inch)	50
Max. weight load (kg)	30
Max. bolt size	M8
Max. height of interface (mm)	228
Max. width of interface (mm)	293
Max. horizontal hole pattern (mm)	200
Max. vertical hole pattern (mm)	200
Min. distance to the wall (mm)	22
Min. horizontal hole pattern (mm)	75
Min. vertical hole pattern (mm)	75
Service position	Yes
Spirit level included	Yes
What's in the box	• Wall mount

- Wall mounting kit with fischer® Duo Power plugs
- TV fasteners kit
- Protective TV patches
- Spirit level
- Quick Installation Guide
- DrillRight™ AR app
- Drilling template

