

TVM 3425 Full-Motion TV Wall Mount

Article number (SKU)
Colour

3834250
Black

Key Benefits

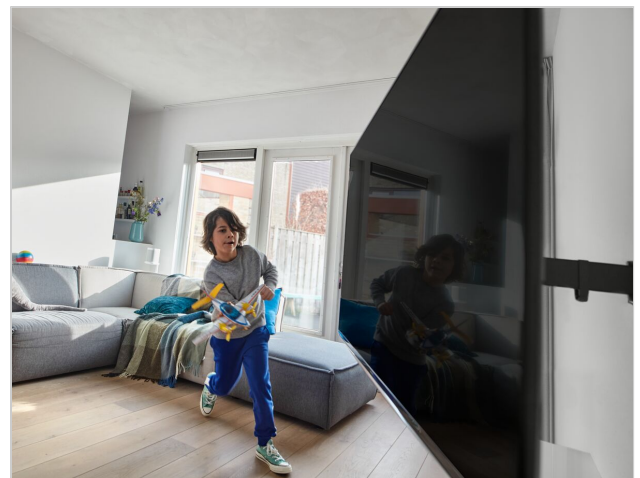
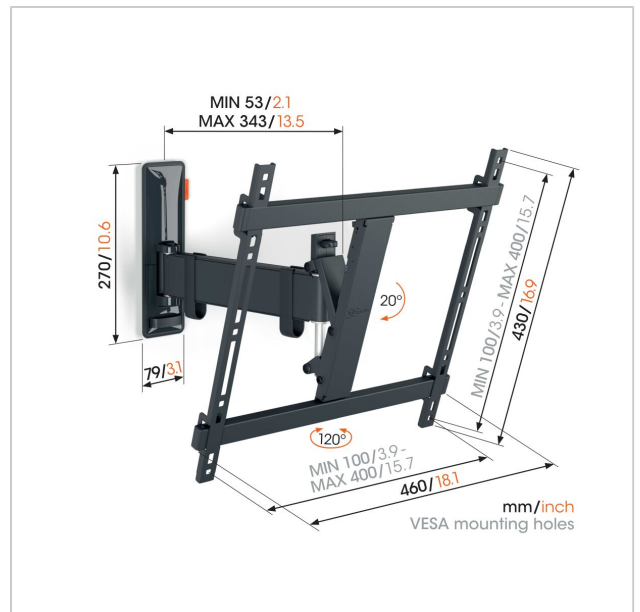
- Smooth OneFinger™ Movement
- Keep your TV always level (horizontally and vertically)
- Cable clip included: Guide your cables from TV to wall
- Family friendly TV watching - Easy to use, safe for your family
- Smoothly turn your TV up to 120°

Stylish and safe: full-motion TV wall mount for TVs from 32 to 65 inches

With this stylish COMFORT Full-Motion TV wall mount, you are choosing safety, design and viewing comfort. Intensive use is no problem for this sturdy wall mount. This makes it ideal for families with children. You can turn the wall mount up to 120° and tilt it 20°. This makes it easy to create the ideal viewing angle. The wall mount is suitable for TVs from 32 to 65 inches and weighing up to 25 kg.

Pleasant user experience

With just one finger, you can move your TV to the desired position. The COMFORT Full-Motion TV wall mount is equipped with One-Finger™ Movement. Thanks to the special bearings, the wall mount is very smooth and light to move. Safely locked To safely tilt and fix your TV, the COMFORT Full-Motion TV wall mount is equipped with the unique TiltAnchor™ system. Installation? Vogel's makes it easy Vogel's makes installing your COMFORT Full-Motion TV wall mount easy for you. The packaging contains a drilling template, screws, Fischer® DuoPower plugs, cable tie and spirit level. It's easy to mark out the first drill hole with our free DrillRight™ AR App and you can find installation instructions in the Quick Installation Guide. Or view the detailed manual or the special installation video online. Guaranteed safe With a COMFORT Full-Motion TV wall mount, your TV is guaranteed to be safely mounted. Each TV wall mount is TÜV certified and tested at three times its maximum weight capacity. There is a good reason that your COMFORT Full-Motion TV wall mount comes with a 10-year guarantee.





TVM 3425 Full-Motion TV Wall Mount

www.vogels.com

VOGEL'S HOLDING BV 2019 (c) All rights reserved.
Subject to printing errors, technical and price amendments.
Date:2021-08-26

Specifications

Product type number	TVM 3420 Series	Number of pivot points	2
Article number (SKU)	3834250	Spirit level included	Yes
Colour	Black	What's in the box	<ul style="list-style-type: none"> • Wall mount • Cable clip • Wall mounting kit with fischer® Duo Power plugs • TV fasteners kit • Protective TV patches • Spirit level • Quick Installation Guide • DrillRight™ AR app • Drilling template
EAN single box	8712285347764		
Product size	M		
Height	430		
Width	460		
TÜV certified	Yes		
Tilt	Tilt up to 20°		
Turn	Up to 120°		
Guarantee	10 years		
Min. screen size (inch)	32		
Max. screen size (inch)	65		
Max. weight load (kg)	25		
Max. bolt size	M8		
Max. height of interface (mm)	430		
Max. width of interface (mm)	460		
Cable management	Cable clip		
Max. distance to the wall (mm)	343		
Max. horizontal hole pattern (mm)	400		
Max. vertical hole pattern (mm)	400		
Min. distance to the wall (mm)	53		
Min. horizontal hole pattern (mm)	100		
Min. vertical hole pattern (mm)	100		

