

Item No. 951063-0-0

DALI CONNECT STAND M-600 MANUAL




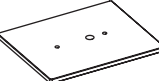
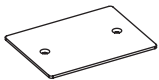


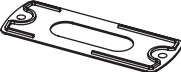







IN ADMIRATION OF MUSIC

■ DALI Denmark +45 9672 1155 ■
www.dali-speakers.com



IN ADMIRATION OF MUSIC

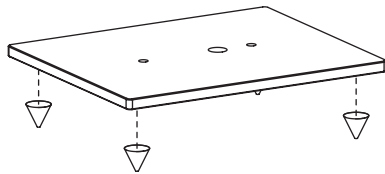
TABLE 1

Item	Pcs.
	2
	2
	2
	8
	8
	4
	8
	8
	8
	4
	1
	2
	1

Congratulations with your new DALI CONNECT STAND M-600.

Unpack all the parts and make sure that all parts are present (see table 1). Be careful not to damage the parts during handling. Keep the packaging materials should your stand need to be relocated or serviced.

FIGURE 1



or

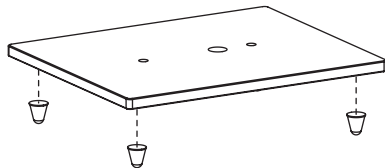


TABLE 2
- DALI CONNECT STAND M-600 -
TECHNICAL SPECIFICATIONS

DALI CONNECT STAND M-600	
Dimensions (H x W x D) [mm] without spikes	587 x 260 x 320
Dimensions (H x W x D) [inches] without spikes	23.1 x 10.2 x 12.6
Weight [kg / lb]	5,9 / 13

All technical specifications are subject to change without notice.

FIGURE 2

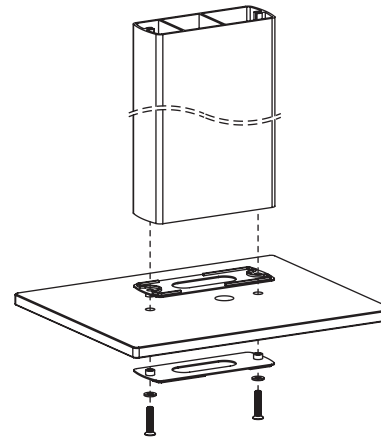


FIGURE 3

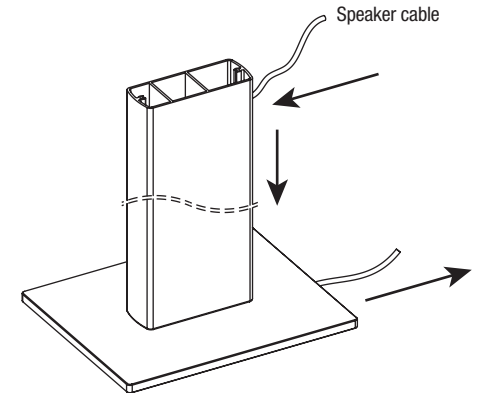


FIGURE 4

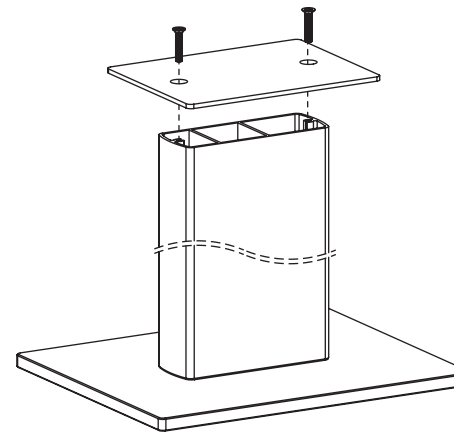


FIGURE 5

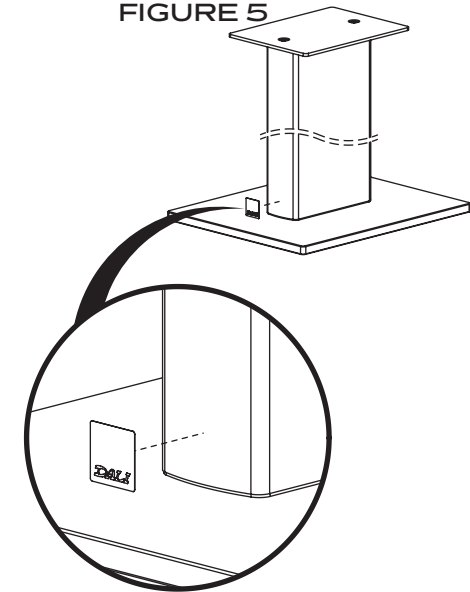


FIGURE 6

