

300IW6

Product Data Sheet



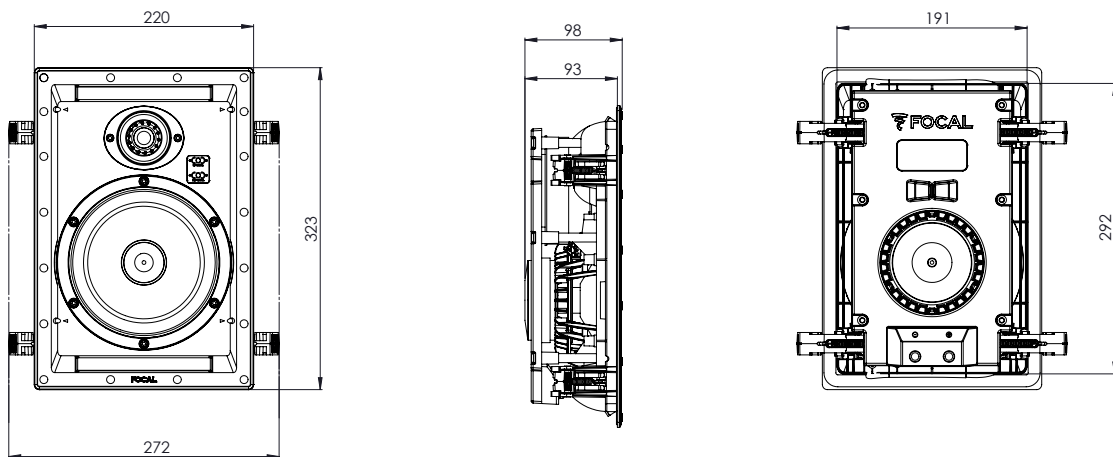
Key points

- 2-way in-wall loudspeaker
- Easy and quick to install without tools
- Adjustable tweeter
- Speaker drivers designed and made in France by Focal
- Deep frequency response in the low end and high power handling
- Very balanced mid-range for improved intelligibility for Home Cinema set-ups
- Supplied with a magnetic grille and ready to paint to ensure perfect integration

Technical Specifications

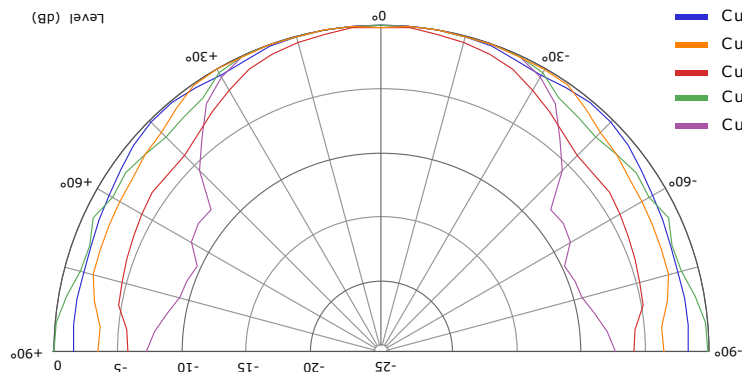
Type	2-way in-wall
Drivers	6 1/2" (16.5cm) flax cone woofer, 1" (25mm) Al/Mg inverted dome tweeter
Sensitivity (2.83V/1m)	90dB
Frequency response (+/-3dB)	55Hz - 28kHz
Low frequency point (-6dB)	45Hz
Nominal impedance	8 Ω
Minimal impedance	4.5 Ω
Recommended amplifier power	25 - 130W
External dimensions (HxWxD)	12 5/4" x 8 1/16" x 3 7/8" (323 x 220 x 98mm)
Cut-Out diameter (HxL)	11 1/2" x 7 1/2" (292 x 191mm)
Depth from wall	3 1/16" (93mm)
Net weight (with front grille)	4.9lbs (2.25kg)
Packing dimensions (WxDxH)	16 5/16" x 12 1/8" x 7 1/4" (411 x 308 x 184mm)
Total weight (with packaging)	8.49 lbs (3.85kg)

Dimensions

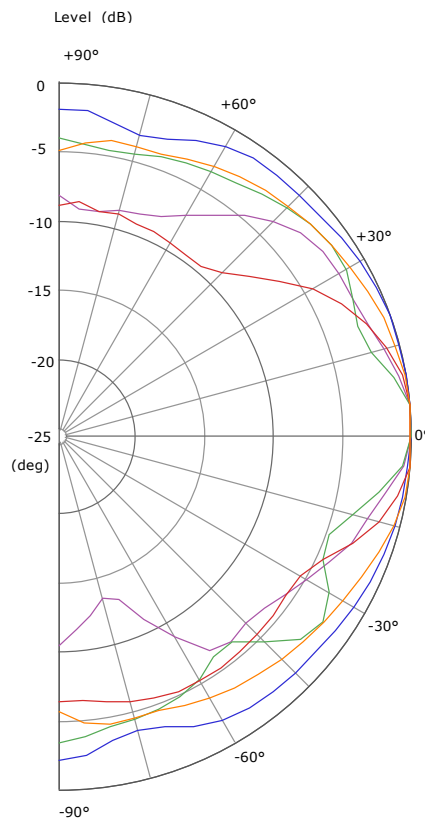


Directivity Measurements

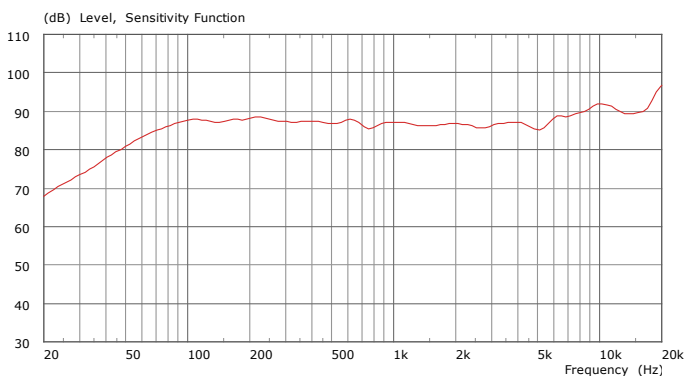
Horizontal (right)



Vertical



Frequency Response



300IW6 Speaker level Calculation Table

Power/Distance	1 m	2 m	5 m
1 W (2,83 V)	90 dB	84 dB	76 dB
5 W (8,94 V)	100 dB	94 dB	86 dB
10 W (12,6 V)	103 dB	97 dB	89 dB
20 W (15,5 V)	105 dB	99 dB	91 dB

Summary	125 Hz	250 Hz	500 Hz	1kHz	2kHz	4kHz	8kHz
SPL (2.83 V/1 m) (dB)	90	90	89	89	89	89	91
Opening Angle at -6dB	180°	180°	180°	180°	170°	180°	90°