

# 3001CW6

## Product Data Sheet



Magnets for mounting magnetic grilles with anti-vibration pads.



Handles to attach the speaker to the mounting frame without tools.

1" (25 mm) Al/Mg inverted dome tweeter with Poron suspension. Smoother sound.



6.5" (16.5cm) Flax midbass. Flax Membrane: neutrality and sound definition.

Product rear protection against dust.

Easy Quick Install system. No tools required. System compatible with wall/ceiling from 0<sup>3</sup>/<sub>16</sub>" to 1<sup>3</sup>/<sub>16</sub>" (5 to 30mm).

Rotating tweeter. Off-axis response optimized.

Tweeter adjustment -3dB, 0dB, +3dB. Treble equalisation depending on the room acoustics.



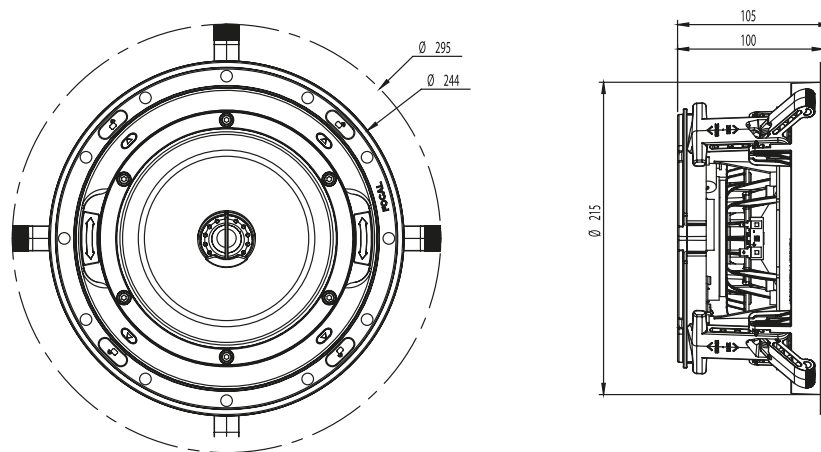
### Key points

- 2-way speaker for custom install
- No tools required to install the product
- Loudspeaker developed and manufactured in France by Focal
- Delivered with ready-to-paint square and circular front grilles and painting protective mask
- Off-axis response control (Tweeter rotation and gain adjustment)

### Technical specifications

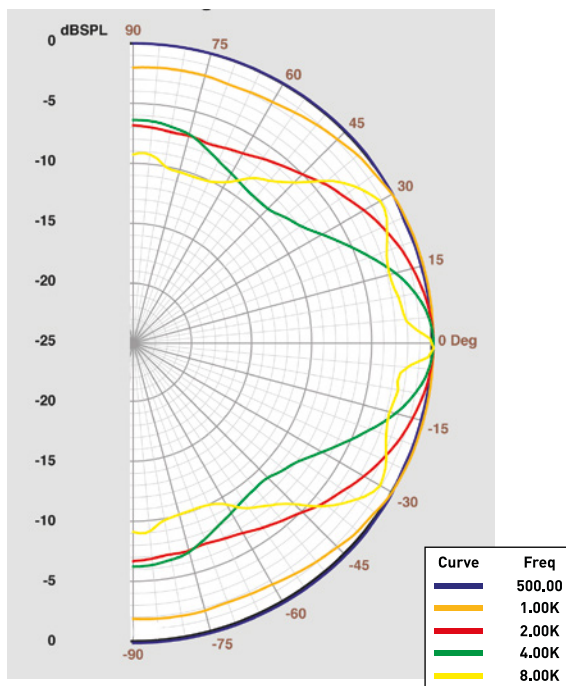
Type	2-Way
Drivers	6 <sup>1</sup> / <sub>2</sub> " (16.5cm) Flax Mid-bass 1" (25mm) Al/Mg inverted dome Tweeter
Sensitivity (2.83 V/1m)	89dB
Frequency response (+/-3dB)	65Hz - 28kHz
Low frequency point (-6dB)	45Hz
Nominal impedance	8 Ohms
Minimal impedance	4.8 Ohms
Recommended amplifier power	25 - 130W
Dimensions (Ø/depth)	9 <sup>3</sup> / <sub>16</sub> " x 4 <sup>9</sup> / <sub>16</sub> " (244x105mm)
Cut-Out diameter	8 <sup>1</sup> / <sub>2</sub> " (216mm)
Depth behind surface	3 <sup>1</sup> / <sub>16</sub> " (100mm)
Net weight (with grille)	5.29 lbs (2.4kg)
Box dimensions (WxDxH)	12 <sup>1</sup> / <sub>16</sub> " x 12 <sup>1</sup> / <sub>16</sub> " x 10 <sup>5</sup> / <sub>8</sub> " (310x310x270mm)
Total weight in box	8.6 lbs (3.9kg)

## Dimensions

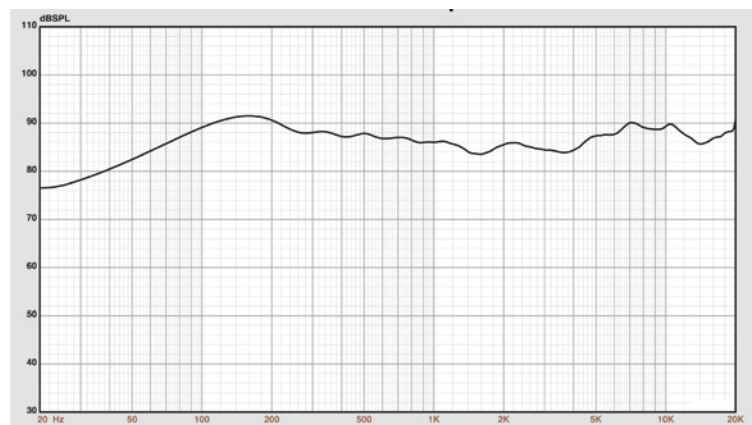


## Measurements

### Directivity



### Frequency response



## ICW6 speaker level calculation table

Power/Distance	1m	2m	5m
1 W (2.83V)	89dB	83dB	75dB
5 W (6.32V)	96dB	90dB	82dB
10 W (8.94V)	99dB	93dB	85dB
20 W (12.6V)	102dB	96dB	88dB

Summary	125Hz	250Hz	500Hz	1kHz	2kHz	4kHz	8kHz
SPL (2.83V/1m)(dB)	90	89	88	87	87	86	89
Opening angle at -6dB	180°	180°	180°	180°	105°	60°	90°