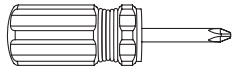
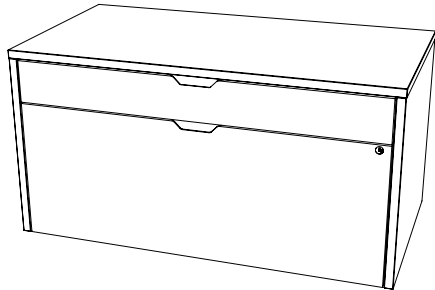


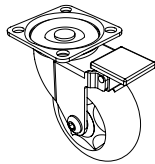
Component List



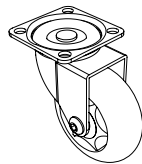
A - x 1



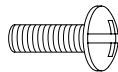
B - x 1



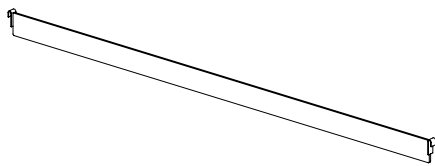
C - x 2



D - x 3



E - 13mm
x 20



F - x 1



G - x 2

Placement and Maintenance

Modica™ Office furniture is designed for indoor use on level floors. Clean steel parts and wood veneer with a moist cloth.



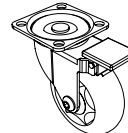
Unpack and Identify

Unpack and identify the components at left. Note that some components are shipped inside the cabinet. The assembly workspace should be a non-marring surface such as carpet. For missing hardware pieces, please contact BDI Customer Service at customerservice@bdiusa.com. For all other concerns, please contact your BDI Retailer.

1



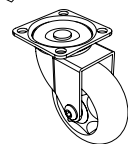
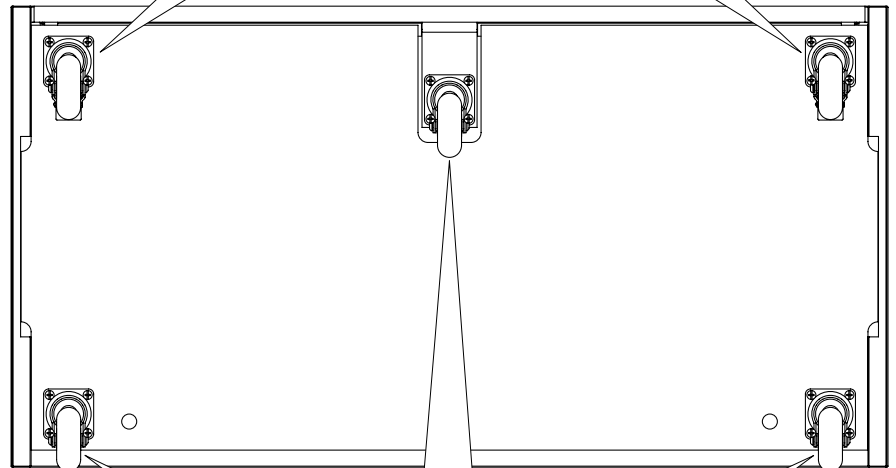
**FRONT
CORNERS
ONLY**



C x 2



E x 8



D x 3



E x 12

2 Legal File Folders can be installed in the lateral drawers front-to-back without installing File Bars. If users wish to install Letter or A4 File Folders front to back, install **Large File Bracket (F)** by lowering bracket onto drawer sides (see Fig. 2.1).

If users wish to install File Folders side to side, install **Small File Brackets (G)** by lowering brackets onto drawer front and back (see Fig. 2.2).

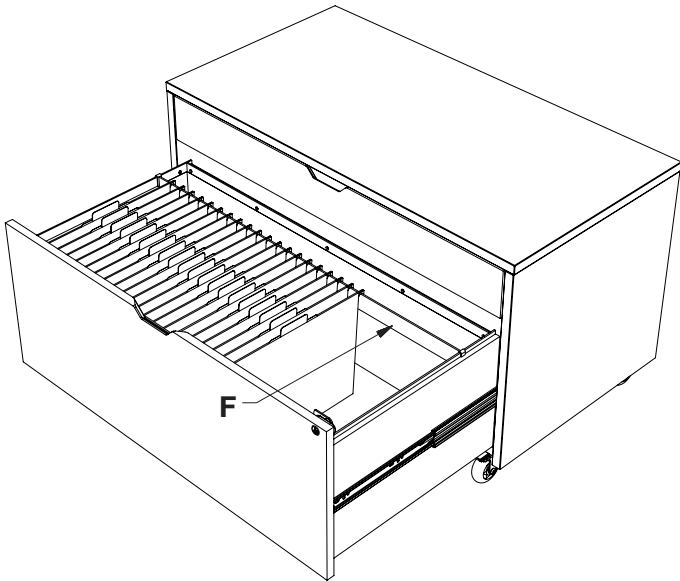


Fig. 2.1

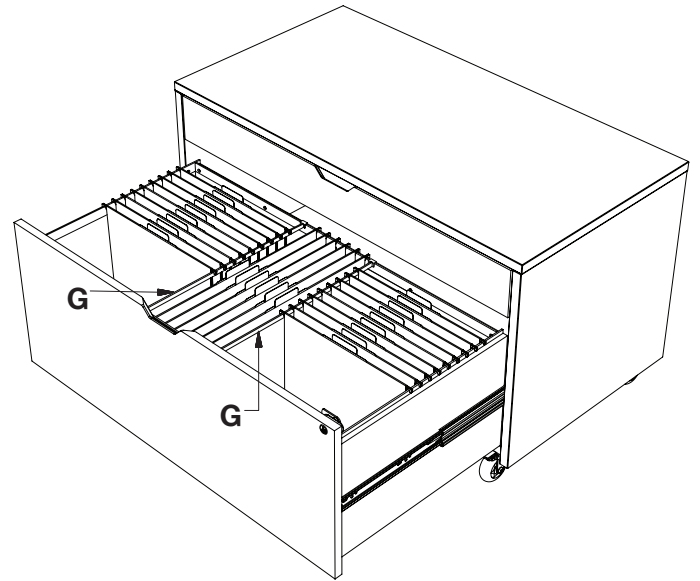


Fig. 2.2