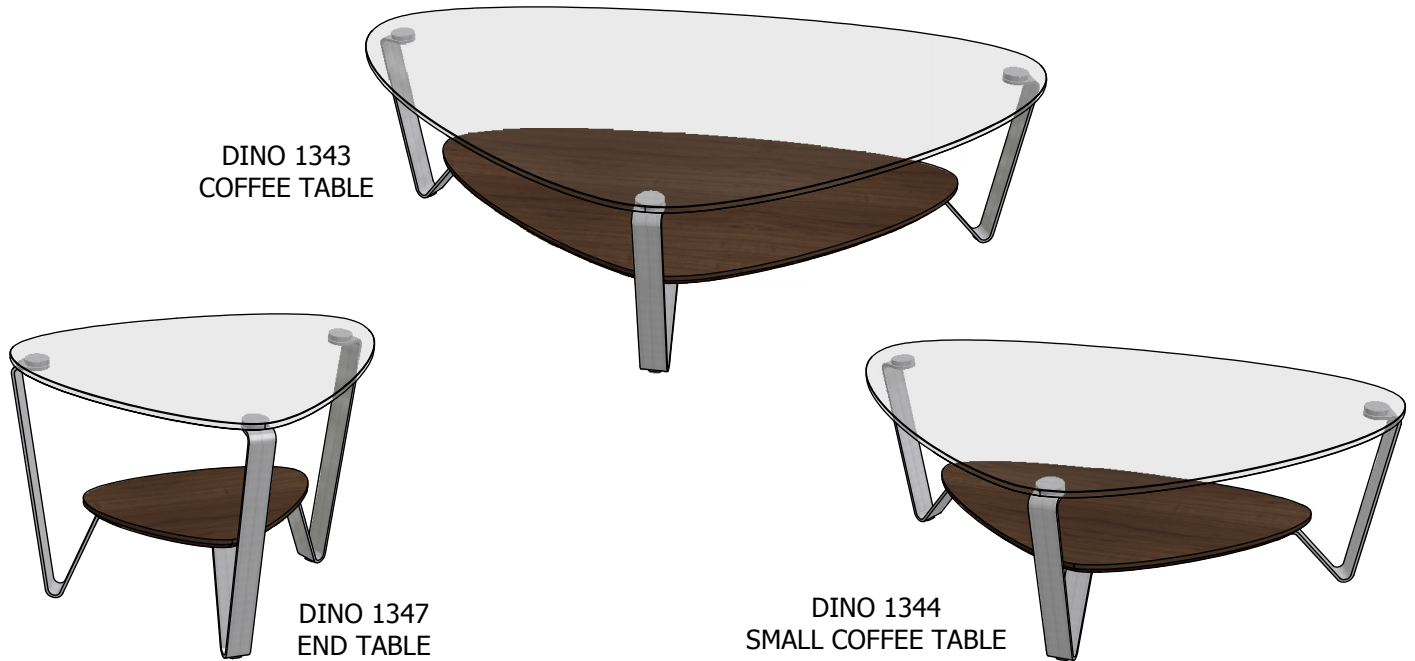


Placement and Maintenance

DINO TABLES are designed for indoor use on level floors. Clean glass with glass cleaner, and shelf with a moist cloth.



Component List

DINO TABLES are engineered for easy assembly. Carefully follow this procedure to prevent any damage. Unpack and identify the components. The assembly workspace should be a non-marring surface such as clean carpet. For missing hardware pieces, please contact BDI Customer Service at customerservice@bdiusa.com. For all other concerns, please contact your BDI Retailer.



A - Hex Wrench 4mm
x 1



B - 1/4-20 x 3/4
Flat Head Screws
4mm Socket Drive
x 6



C - 1/4-20 x 1/2
Flat Head Screws
4mm Socket Drive
x 3

D - Legs x 3

E - Shelf x 1

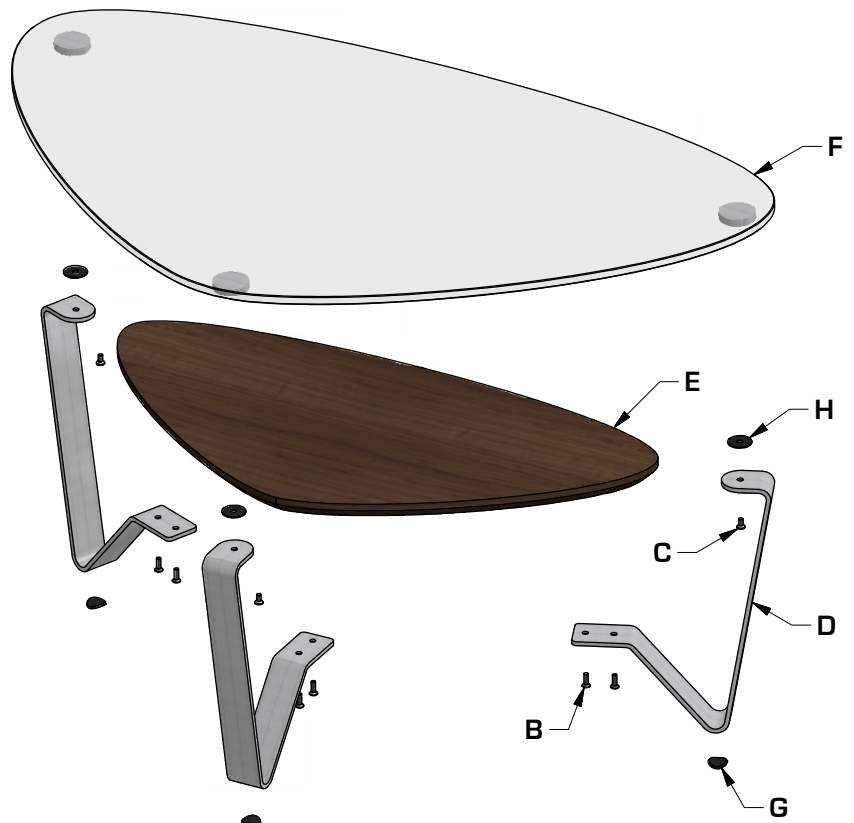
F - Glass x 1



G - Felt Pads x 3



H - Felt O-Rings x 3



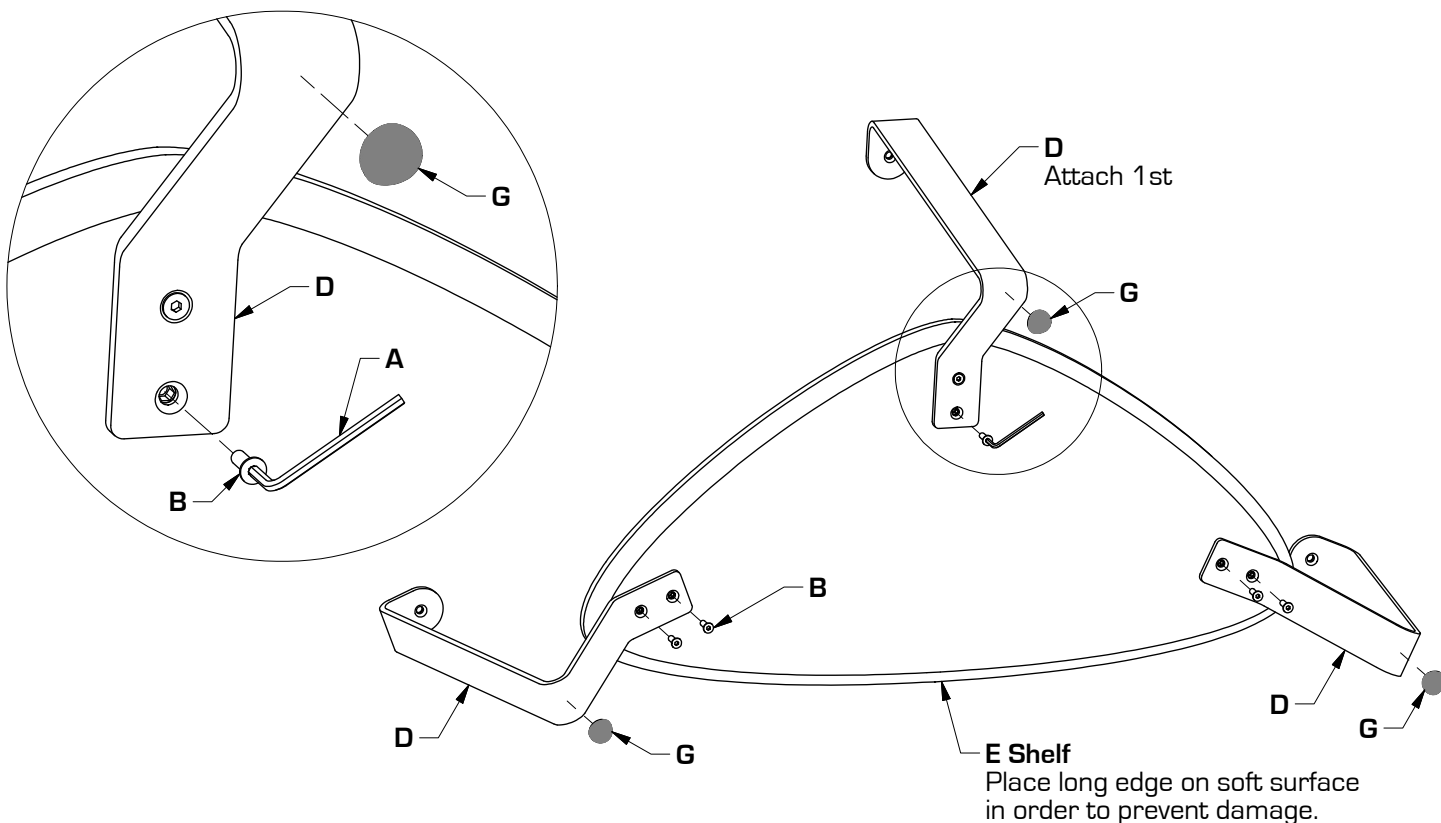
Step 1 - Attach Legs to Shelf

Place long edge of **Shelf (E)** on soft surface in order to prevent damage.

Attach **Legs (D)** to **Shelf (E)** using **Screws (B)** and tighten using **Hex Drive Wrench (A)**.

Attach first **Leg (D)** to middle point of **Shelf (E)**.

Optional: If placed on hard floor, attach **Felt Pads (G)** to bottom of **Legs (D)**.



Step 2 - Attach Glass to Legs

Attach **Felt O-Rings (H)** to **Glass Pucks**.

Turn table up onto **Legs (D)**.

Place **Glass (F)** onto **Legs (D)**.

Loosely start all **Screws (C)** into **Glass Fittings**.

After all **Screws (C)** are started, then tighten

Screws (C) using **Hex Drive Wrench (A)**.

