

## TERRACE™ 1153 CONSOLE TABLE

bdiusa.com  
customerservice@bdiusa.com



### Product Registration

Registering your new BDI product allows us to send you important product updates, service information and helpful hints related to your BDI products. Register today, and you will be entered to win free a BINK table from BDI: [www.bdiusa.com/register](http://www.bdiusa.com/register)

### Placement and Maintenance

Your Terrace Console Table is designed for indoor use on level floors. Clean wood veneer and steel parts with a moist cloth and clean glass with glass cleaner.

Terrace is engineered for easy assembly. Carefully follow this procedure to prevent any damage. Do not use power tools for assembly of this product.

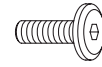
### Step 1

Unpack and identify the parts listed below. The assembly workspace should be a non-marring surface such as carpet. For missing hardware pieces, contact BDI Customer Service at: [customerservice@bdiusa.com](mailto:customerservice@bdiusa.com).

For all other concerns, please contact your BDI retailer.



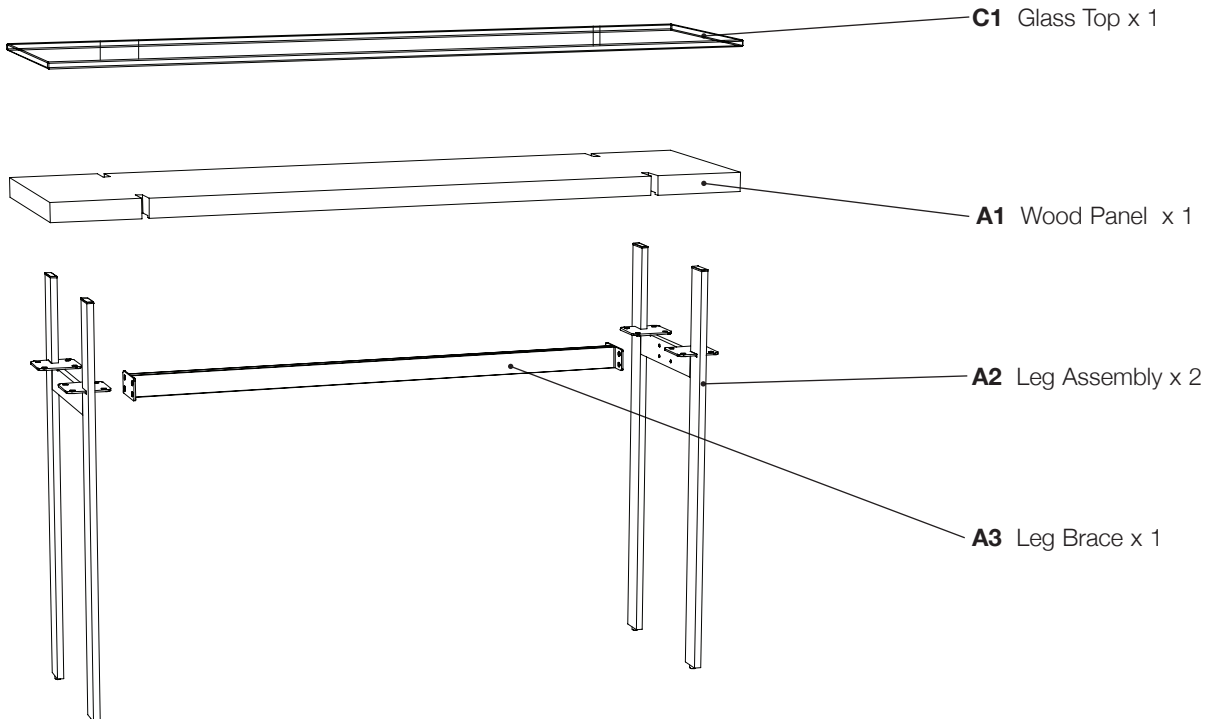
**T2** Hex Wrench x 1



**H1** 1/4-20 x 19 mm  
Machine Screw x 16



**H2** 1/4-20 x 10 mm  
Machine Screw x 8



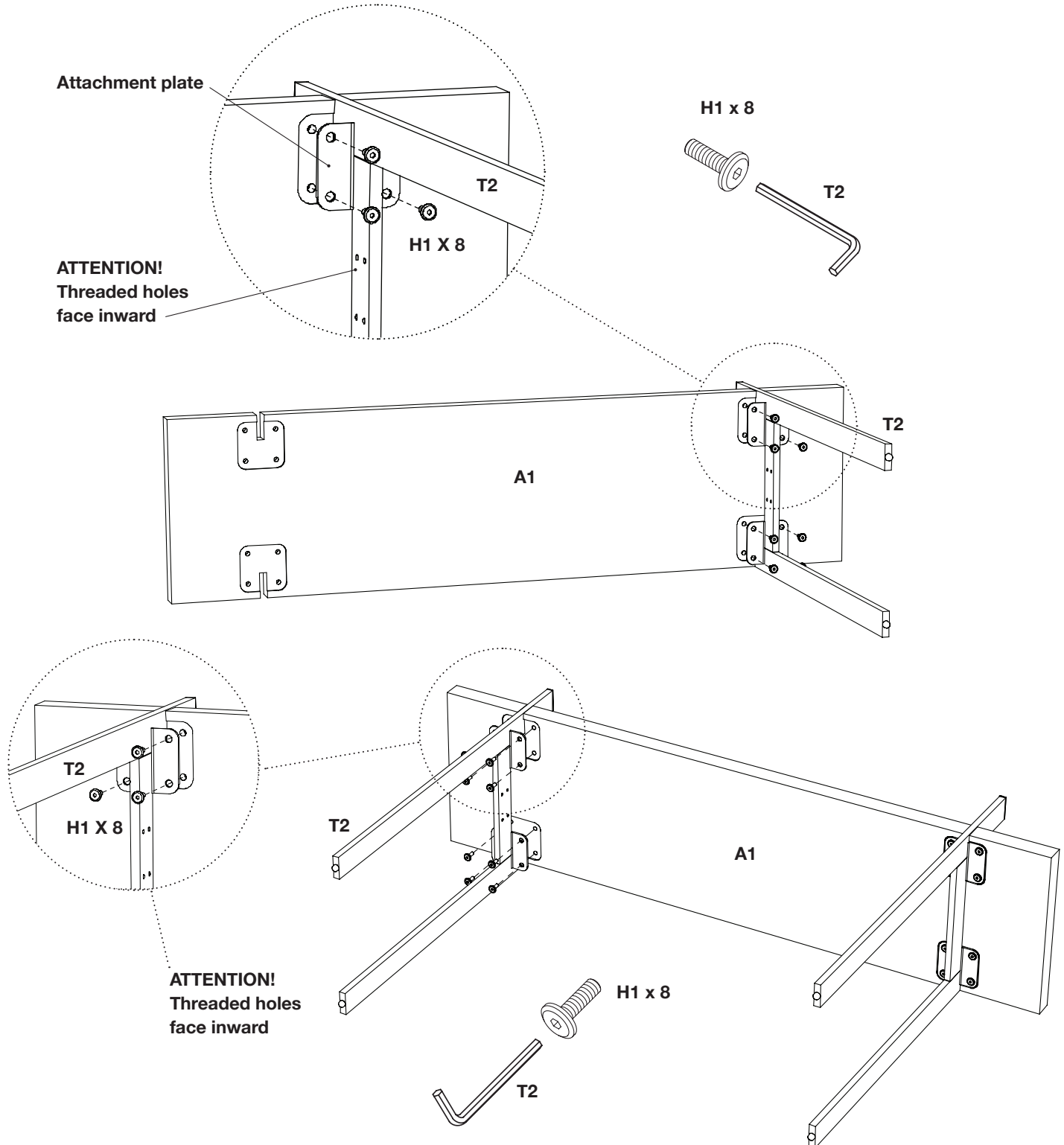
Designed by Matthew Weatherly.

These distinctive product configurations are protected by US and international patents, trade dress, and/or copyright laws. Terrace & BDI are trademarks of Becker Designed, Inc. All rights reserved. ©2016, BDI  
Made in China. 11.16.2016 V1

## Step 2 - Attach Leg Assemblies

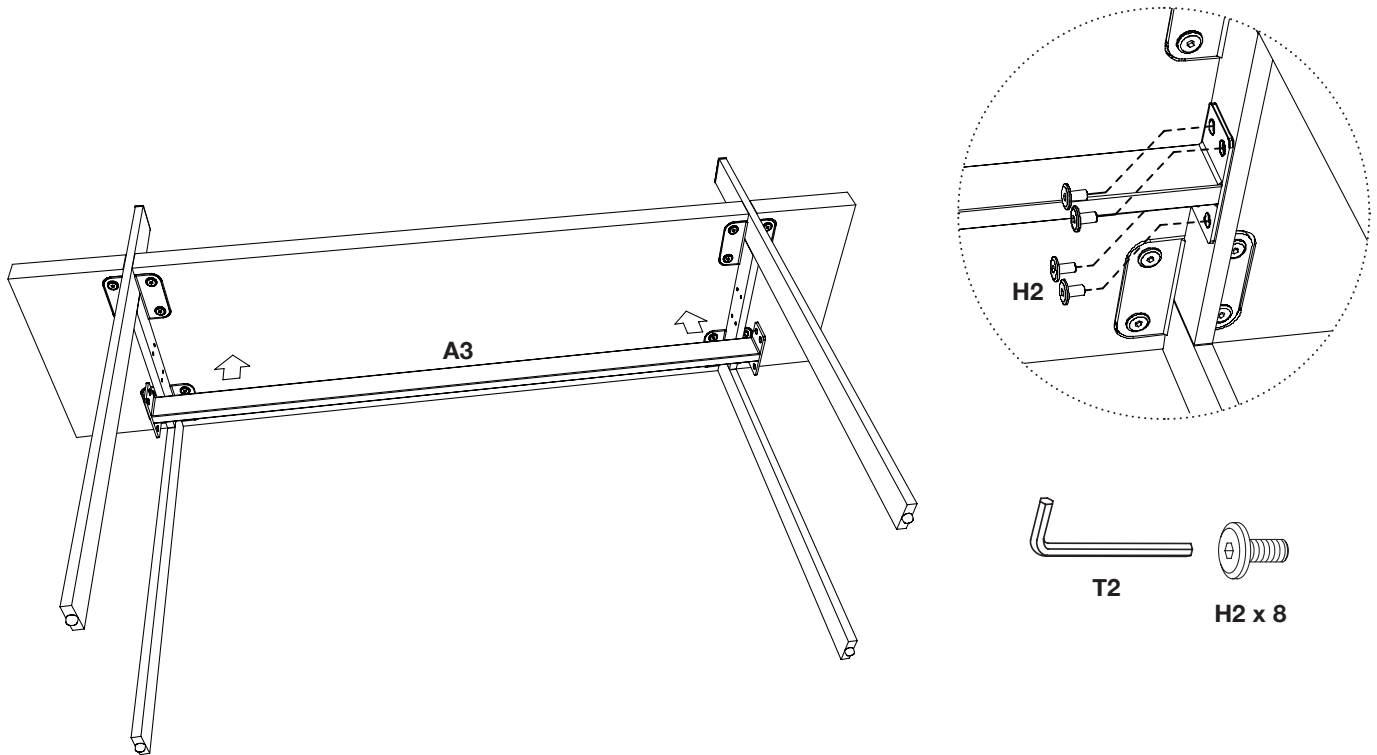
With one hand, carefully position the **wood panel A1** on edge. With other hand, slide **1 leg assembly** into the 2 notches on the bottom of the **wood panel A1** aligning the attachment plates with the corresponding recessed areas. **Make sure the threaded holes on the leg assembly face inward.** Loosely attach the leg assembly with **8 screws H1** using **hex wrench T2**. Do not tighten the screws yet (otherwise the leg brace may not fit).

Attach the second leg assembly but do not fully tighten the screw until after the next step.



### Step 3 Attach Leg Brace

Place the **leg brace A3** inbetween the **2 leg assemblies** and align the holes with the threaded holes on the **leg assemblies**. Attach the **leg brace** with **8 screws H2** using **hex wrench T2**. Fully tighten all **screws H1** from the previous step.



### Step 4 Adjust Levelers / Place the Glass Top

With help from another person, place your Terrace Console on its feet. Position your table and check to make sure it is level. Your Terrace Console Table comes with **adjustable levelers** under each foot. If necessary, dial out one or more of the levelers to stabilize the table. Place the **glass top** onto the top of the legs and align all 4 edges of the **glass top** with the **wood panel**.

