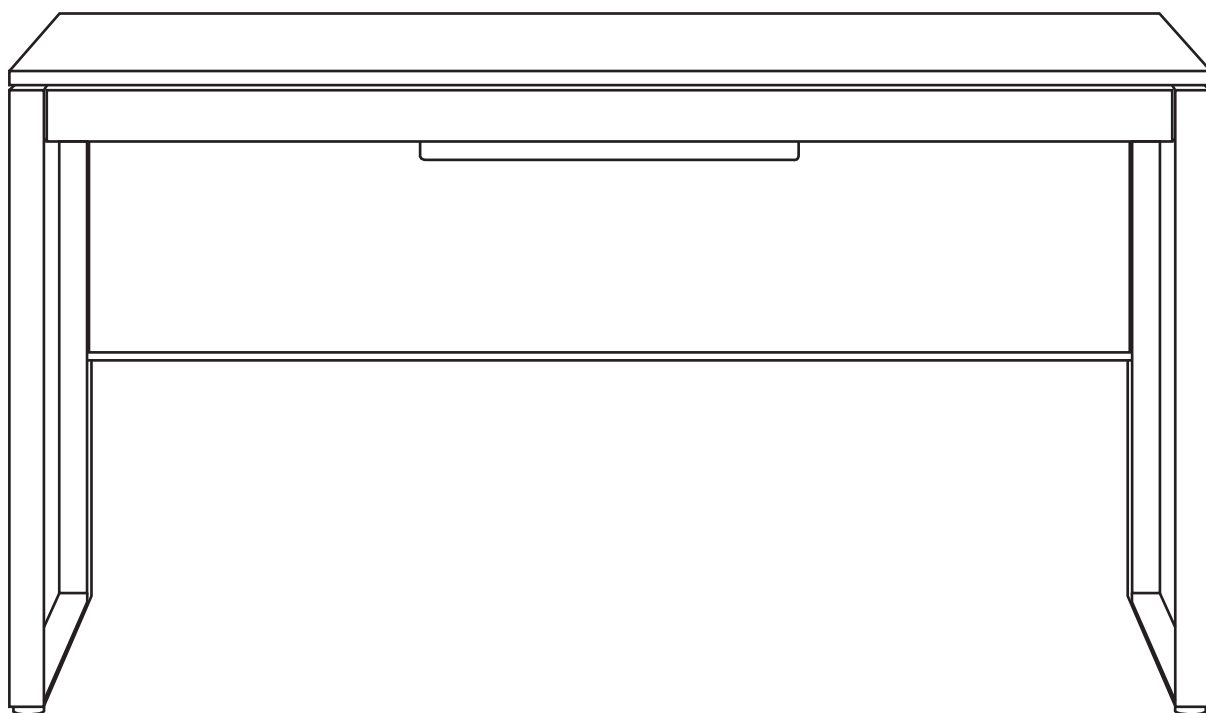


# LINEA™ 6221

DESK

## INSTRUCTION MANUAL



DESIGN MATTHEW WEATHERLY

**BDi**

BDIUSA.COM



Congratulations on the purchase of your Linea Desk 6221 from BDI. Your desk has been designed to provide a lifetime of enjoyment. This manual will provide you with assembly instructions and other helpful information that will ensure that you get the most out of your product. Please save it for future reference.

Your Linea Desk has been engineered for simple assembly. Please follow these directions carefully to prevent any damage.

Should you need further assistance, contact BDI at [customerservice@bdiusa.com](mailto:customerservice@bdiusa.com).

ENJOY!

## HARDWARE AND COMPONENTS

Unpack and identify the parts listed below. The assembly workspace should be a non-marring surface such as carpet. For missing hardware pieces, please contact BDI Customer Service at [customerservice@bdiusa.com](mailto:customerservice@bdiusa.com).

Do not use power tools for the assembly of this product.

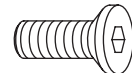
For all other concerns, please contact your BDI retailer.



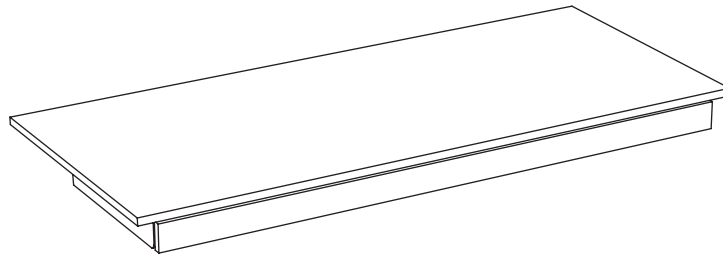
PART #	<b>T1</b>
DESCRIPTION	Hex Wrench
QUANTITY	1



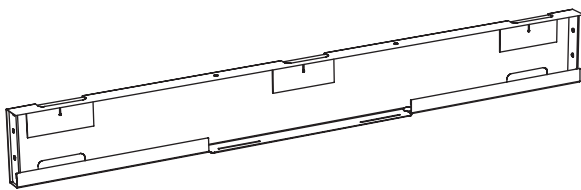
PART #	<b>H1</b>
DESCRIPTION	M6 x 10mm Screw
QUANTITY	10



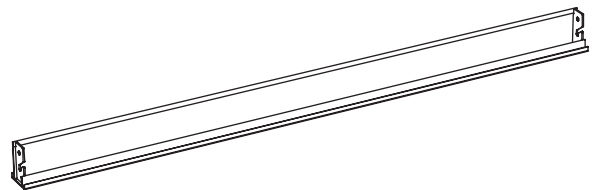
PART #	<b>H2</b>
DESCRIPTION	M6 x 16mm Screw
QUANTITY	6



PART #	<b>C1</b>
DESCRIPTION	Top Panel
QUANTITY	1

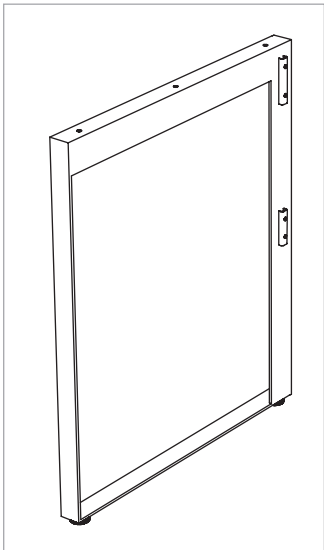


PART #	<b>C2</b>
DESCRIPTION	Upper Trough
QUANTITY	1

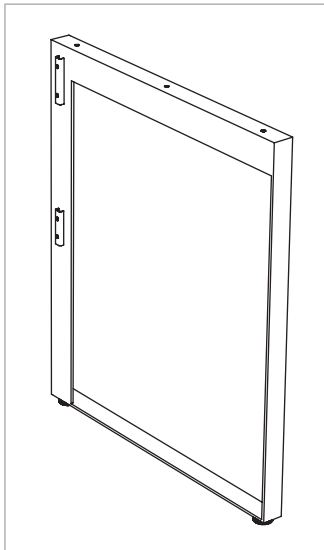


PART #	<b>C3</b>
DESCRIPTION	Lower Trough
QUANTITY	1

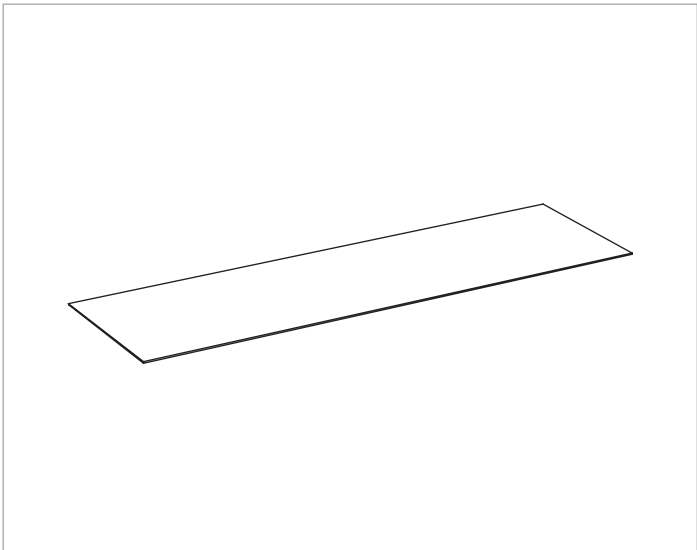
# HARDWARE AND COMPONENTS



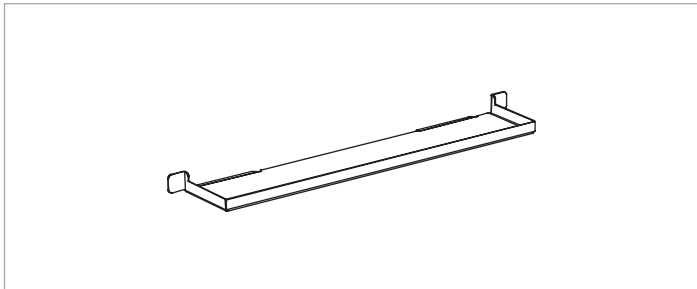
PART #	<b>C4</b>
DESCRIPTION	Left Leg
QUANTITY	1



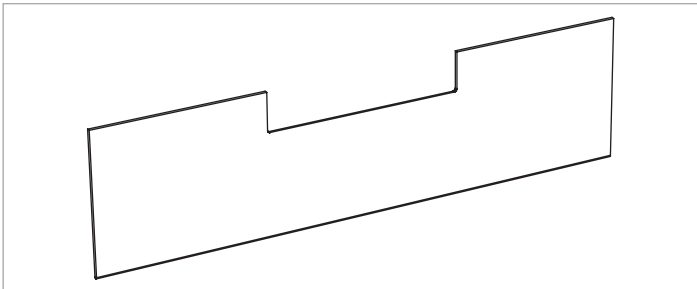
PART #	<b>C5</b>
DESCRIPTION	Right Leg
QUANTITY	1



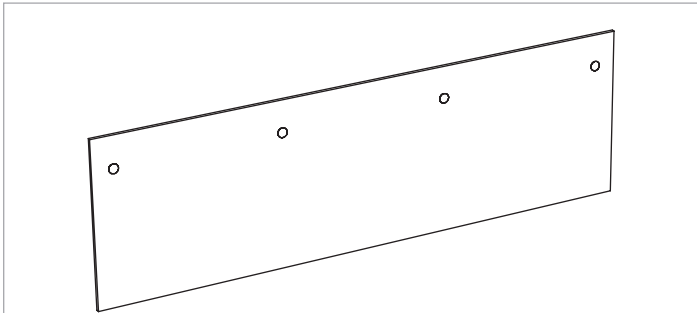
PART #	<b>C6</b>
DESCRIPTION	Drawer Liner
QUANTITY	1



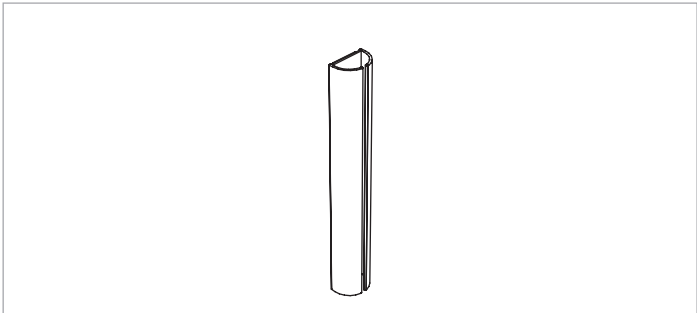
PART #	<b>C7</b>
DESCRIPTION	Wire Tray
QUANTITY	1



PART #	<b>C8</b>
DESCRIPTION	Front Panel
QUANTITY	1



PART #	<b>C9</b>
DESCRIPTION	Back Panel
QUANTITY	1

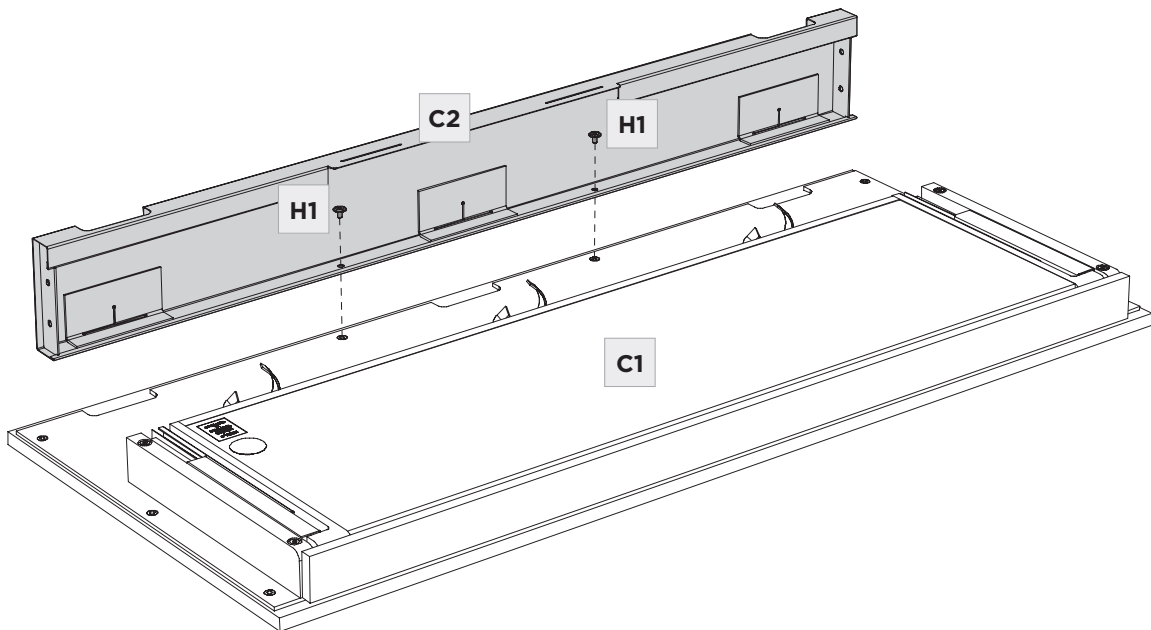


PART #	<b>C10</b>
DESCRIPTION	Wire Management Extrusion
QUANTITY	1

Position the **(C1) Top Panel** upside down on a padded surface (such as a carpet). Loosely attach **(C2) Upper Trough** as shown using **2 (H1) Screws**.

**NOTE: DO NOT fully tighten the screws.**

	<b>PART/DESCRIPTION</b>	<b>QTY</b>
	T1-HEX WRENCH	1
	H1-SCREW	2




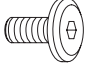
## STEP 2. ATTACH LEGS

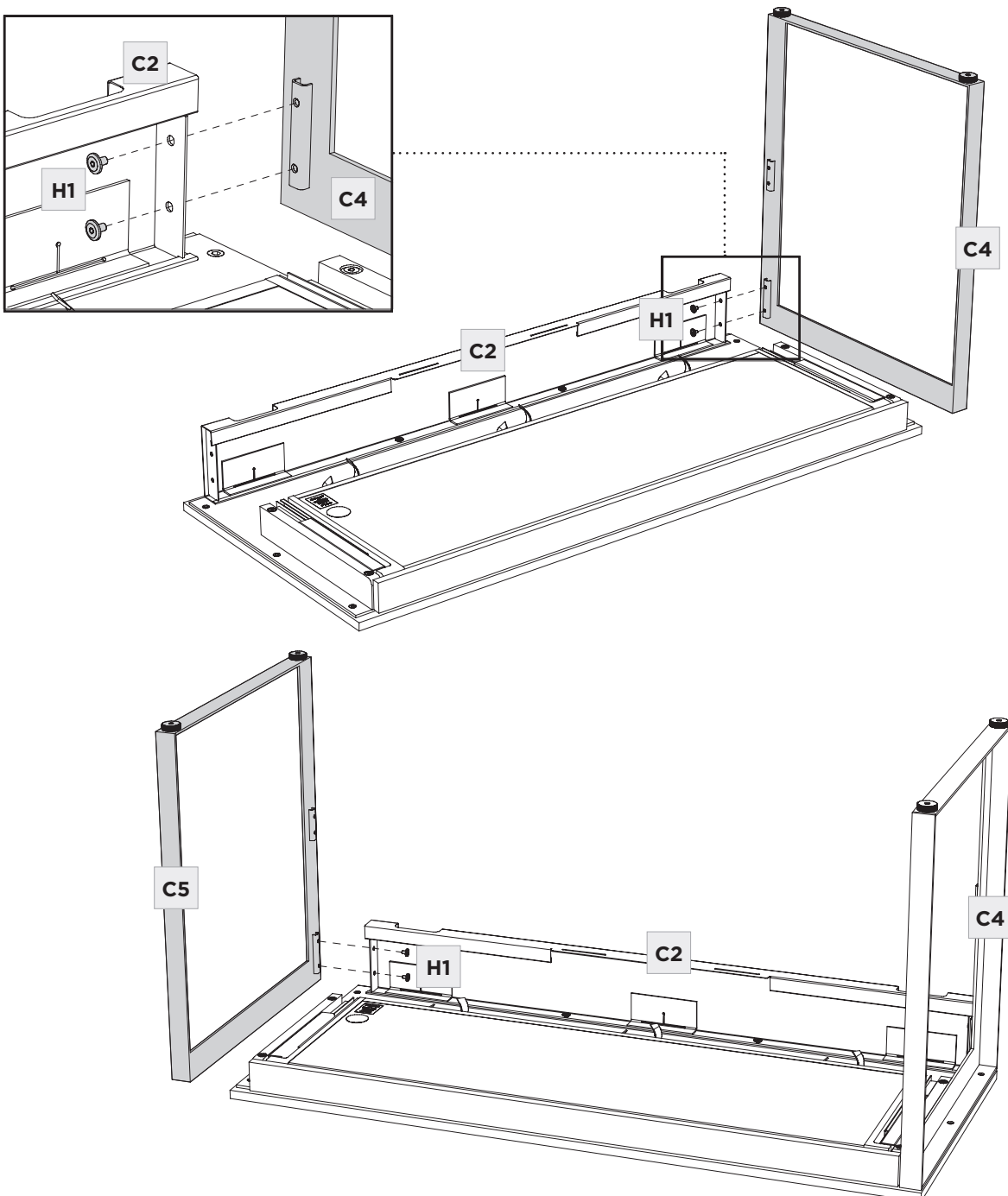
## ASSEMBLY

Attach **(C4) Left Leg** using **2 (H1) Screws** going from the inside of the ends of the **(C2) Upper Trough** and into the threaded holes on the inside of **(C4) Left Leg**.

Attach **(C5) Right Leg** to the other end of the **(C2) Upper Trough** using **2 (H1) Screws**.

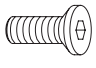
**NOTE: DO NOT fully tighten the screws.**

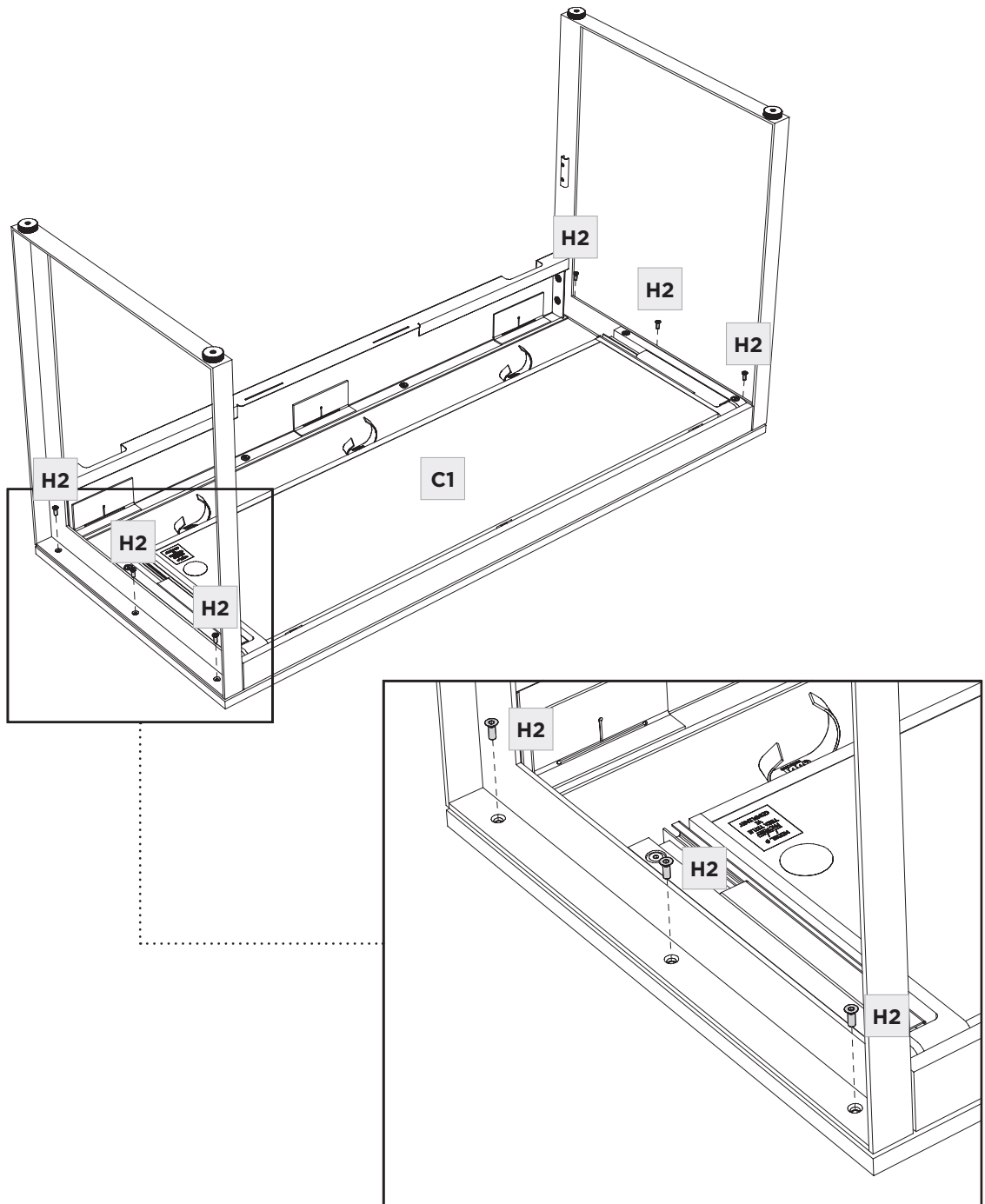
	PART/DESCRIPTION	QTY
	T1-HEX WRENCH	1
	H1-SCREW	4



Attach both **(C4)** and **(C5) Legs** to the bottom of the **(C1) Top Panel** using **6 (H2) Screws** going into the countersunk holes. Tighten with a **(T1) Hex Wrench**.

**NOTE: Fully tighten ALL screws from previous steps.**

	PART/DESCRIPTION	QTY
	T1-HEX WRENCH	1
	H2-SCREW	6


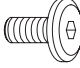


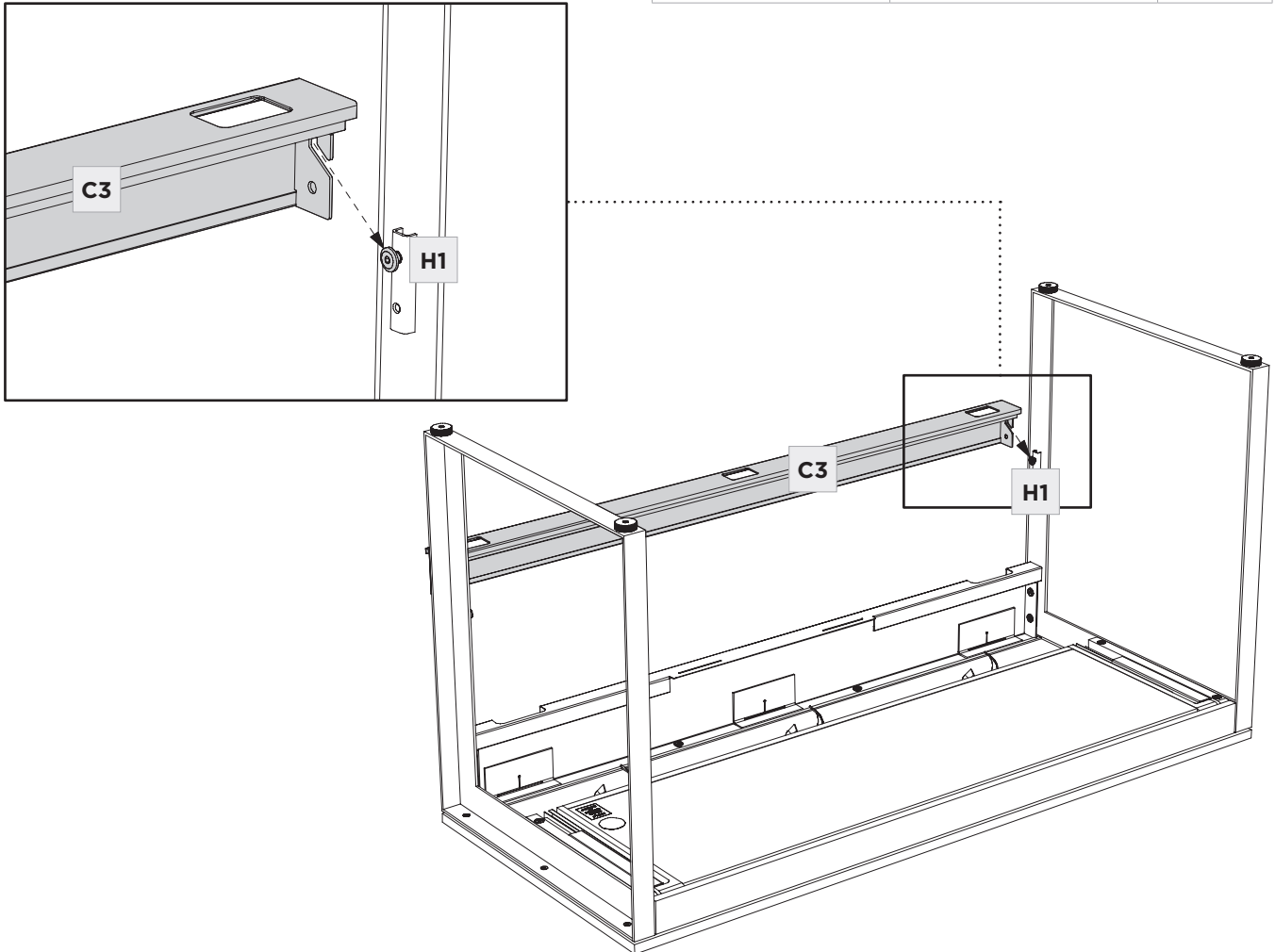


## STEP 4. ATTACH LOWER TROUGH

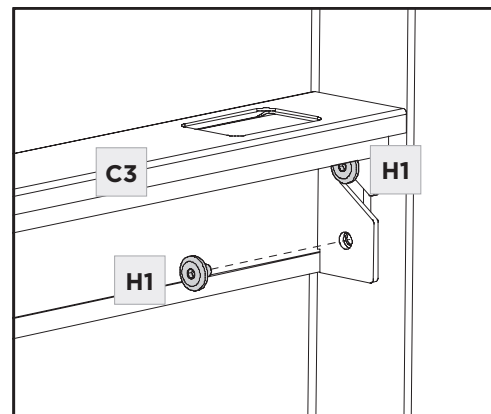
## ASSEMBLY

Partially thread **2 (H1) Screws** into the highest threaded hole on each leg. Hook the **(C3) Lower Trough** onto the partially threaded screws.

	PART/DESCRIPTION	QTY
	T1-HEX WRENCH	1
	H1-SCREW	4

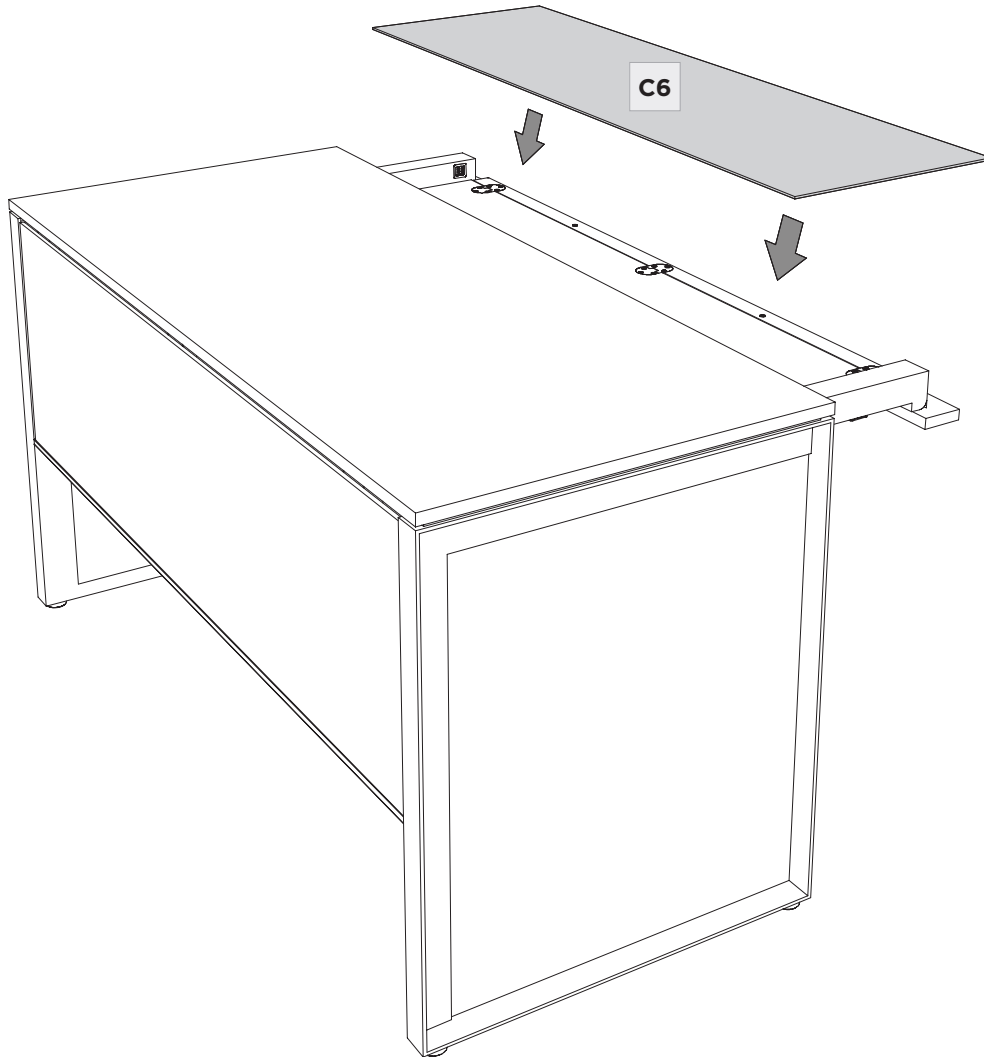


Install **2 (H1) Screws** into the lower holes on each leg. Tighten all **4 (H1) Screws** using **(T1) Hex Wrench**, securing the lower trough.

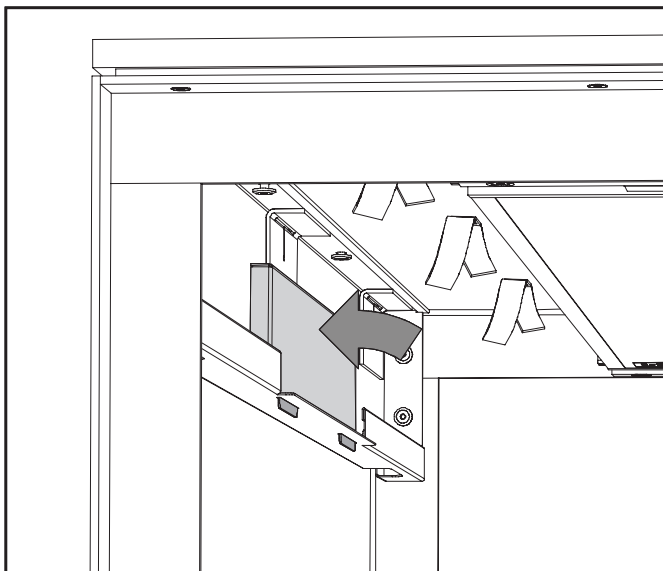
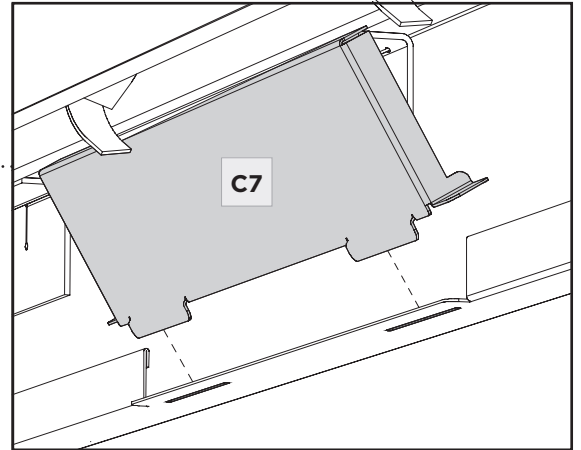
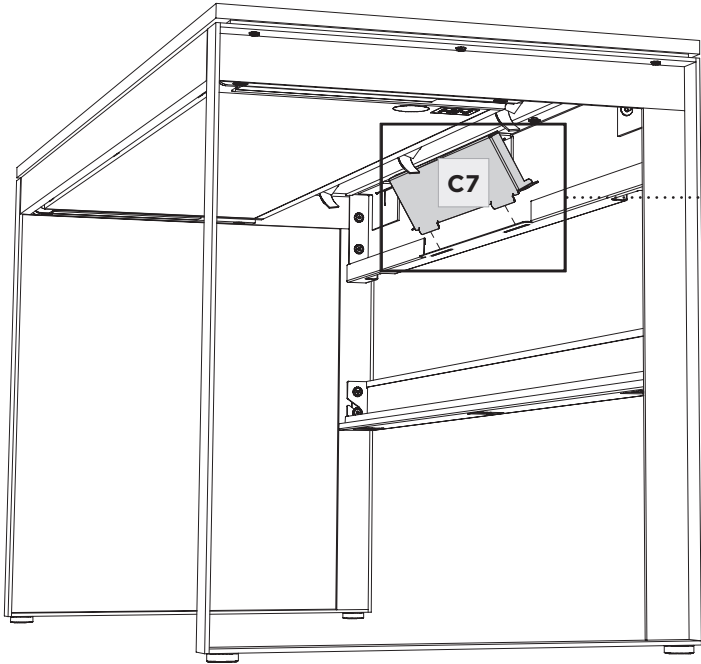




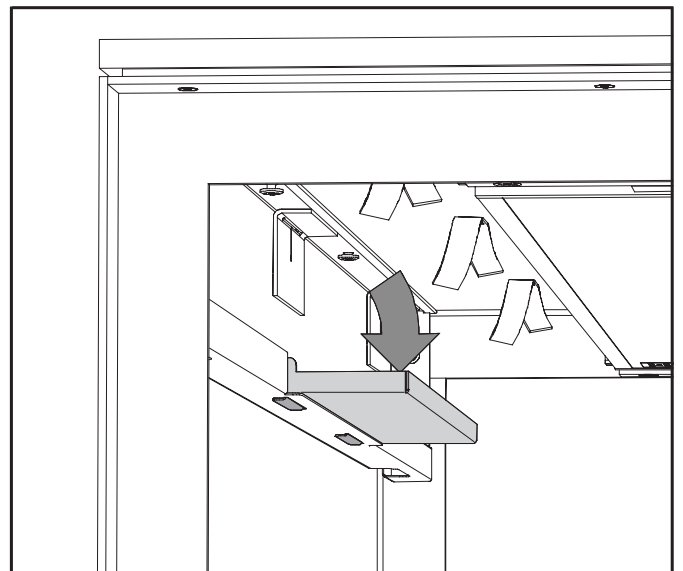
With help from another person, carefully place your Linea Desk onto its base.  
Open the drawer and insert the **(C6) Drawer Liner**.



Install the **(C7) Wire Tray** by placing the two tabs into the two slots in the bottom middle of the upper trough.



**(C7) Wire Tray** in the up position

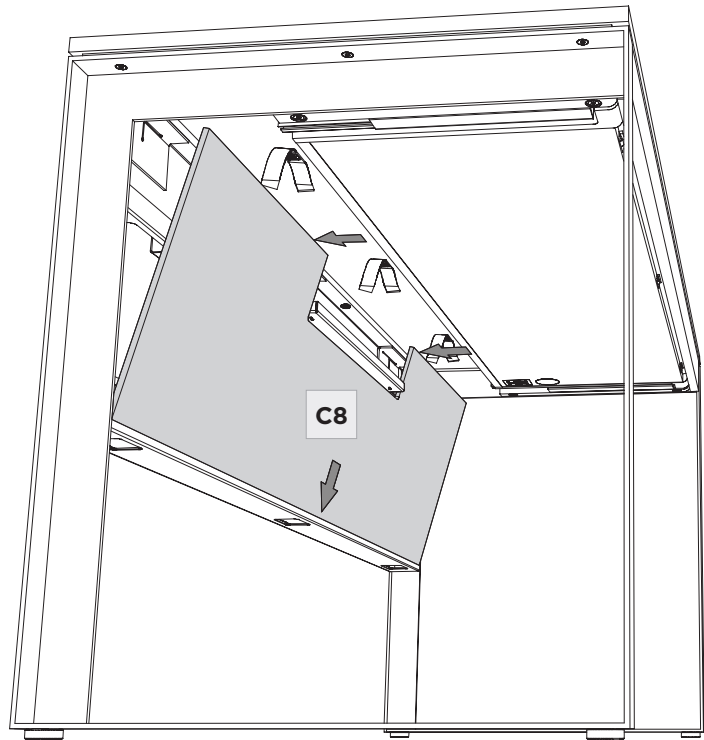


**(C7) Wire Tray** in the down position

## ASSEMBLY

### STEP 7. INSTALL FRONT COVER PANEL

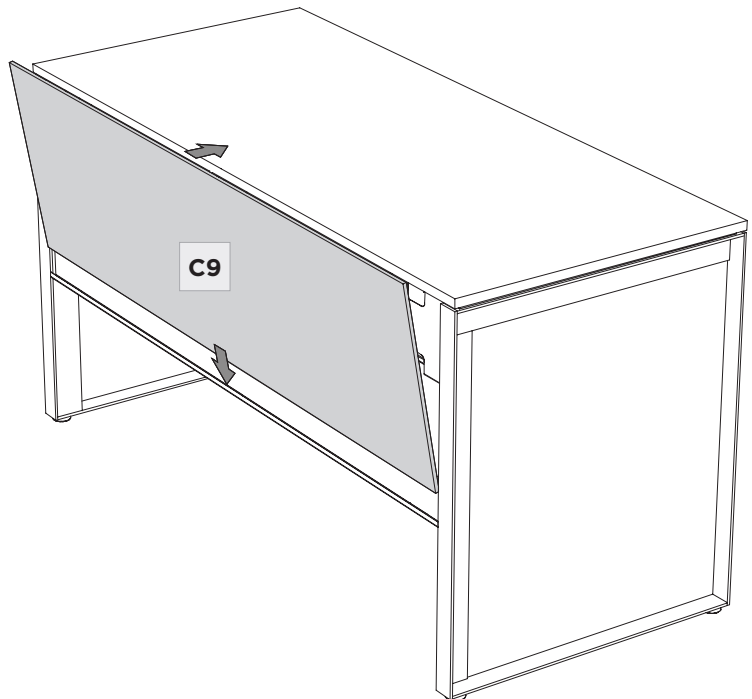
Install the **(C8) Front Cover Panel** by placing the lower edge into the groove in the lower trough. The top edge is held in place with magnets.



## ASSEMBLY

### STEP 8. INSTALL BACK PANEL—OPTIONAL

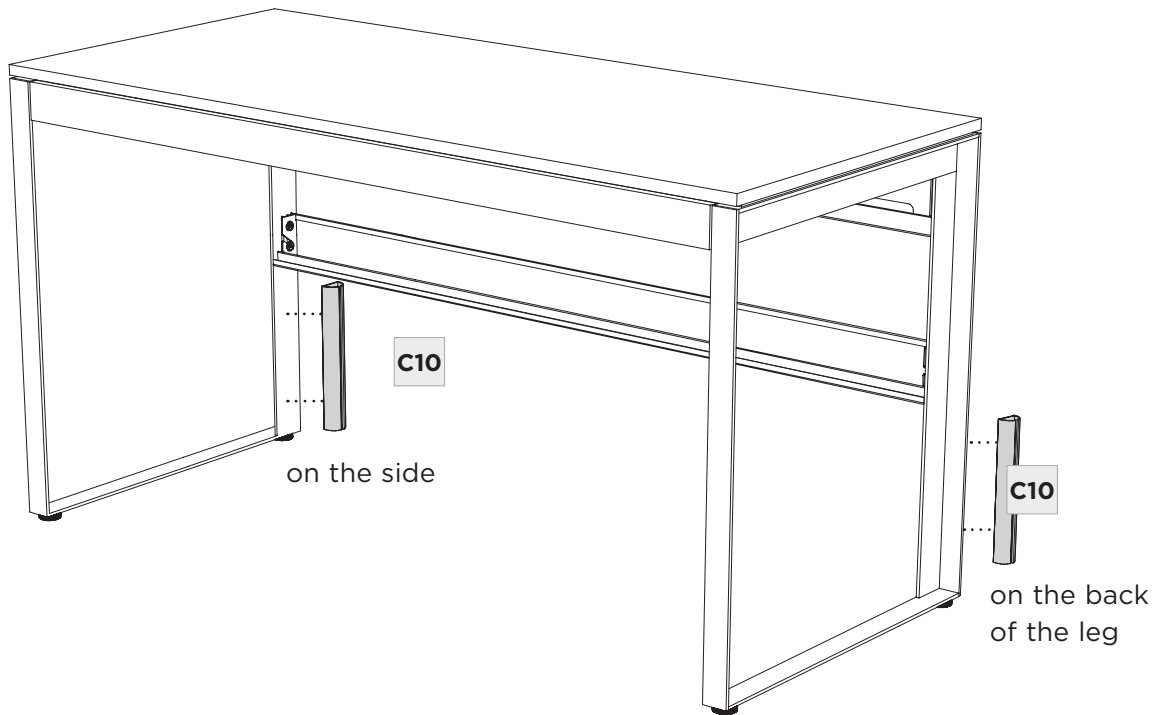
If you are positioning your Linea Desk in the middle of a room, you can use the **(C9) Back Panel** to hide wires. Position the lower edge of **(C9) Back Panel** into the groove. The top is held in place with magnets.



## STEP 9. INSTALL WIRE MANAGEMENT EXTRUSION—OPTIONAL

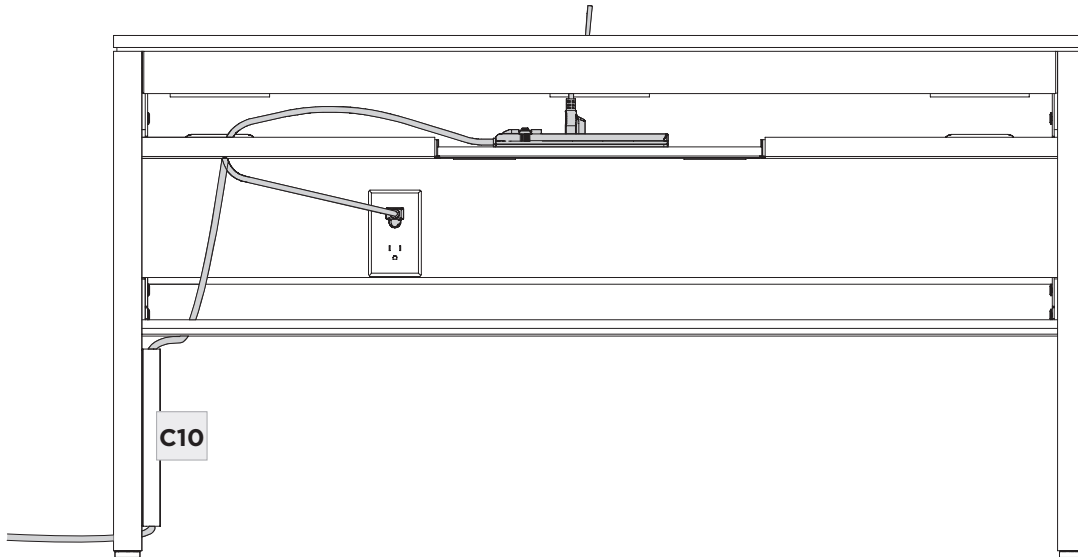
## ASSEMBLY

Install the **(C10) Wire Management Extrusion** on the leg of your choice.

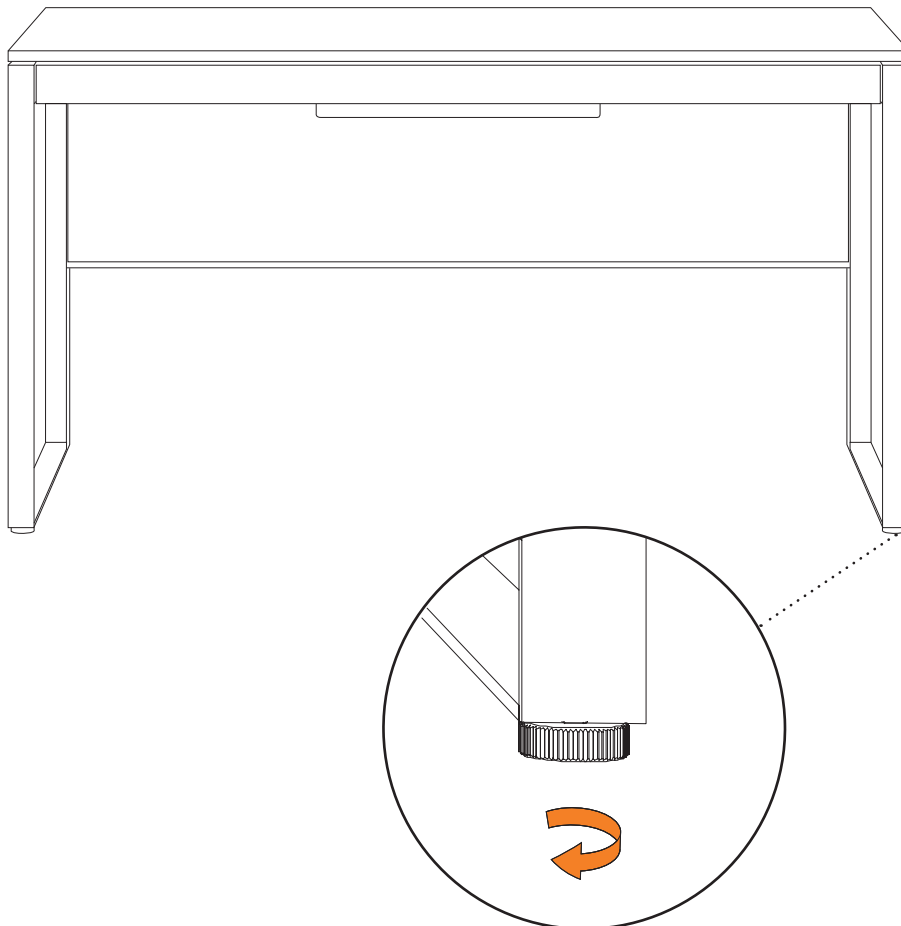


## FINE TUNING

Power strips may be placed on the flip-down wire tray as shown, and wires can be fed through the slots on the upper and lower troughs and through the optional **(C10) Wire Management Extrusion**.



Your Linea Desk is equipped with built-in levelers. Dial down one or more levelers (by hand) until you attain a level stance.



### GLASS

The glass surface is maintained using household glass cleaner and a paper towel or cloth.

### SATIN-ETCHED GLASS

This uniquely smooth-to-the-touch glass surface can be regularly maintained using household glass cleaner and a paper towel or cloth. Minor scratches or scuffs not eliminated using paper towel or cloth can usually be removed by using a 'Magic Eraser'. Magic Eraser is a melamine foam product available at any grocery store or home improvement center. Dampen the entire glass surface and the Magic Eraser, then rub the entire glass surface in broad, even strokes using moderate pressure. Clean and dry the surface with a paper towel. Check for results and repeat as necessary.

Any scratches or scuffing not eliminated by one of the above methods can often be addressed by 'refreshing' the glass. This is a process that should not be required more than once per 6-12 months. See this brief video for the simple method: [www.bdiusa.com/glass](http://www.bdiusa.com/glass)

### WOOD

Wood surfaces should be cleaned with a slightly damp (not saturated) cloth or paper towel. Do not use glass cleaner on wood. If moisture remains, dry the surface with another cloth. If needed, a gentle non-abrasive cleanser may be used, but be sure to wipe away all cleaner residue and dry the surface with a cloth.

BDI's wood finishes feature natural hardwood solids and veneers. Wood is a product of nature and—unlike man-made materials that can be manufactured to strict and consistent specifications—has natural imperfections that are part of its appeal and character. Every piece of wood differs from every other, even when coming from the very same tree. As such, variation in grain, texture and tone should be expected from one panel or piece of furniture to the next.

While BDI's stained wood finishes are stable in tone & appearance, all finishes are subject to some degree of discoloration with prolonged exposure to direct sunlight. Please take care to avoid positioning your BDI cabinet in any area with extensive direct sunlight. To learn more about the features of natural wood, visit [www.bdiusa.com/wood](http://www.bdiusa.com/wood)

### METAL & PAINTED SURFACES

Surfaces should be cleaned with a slightly damp (not saturated) cloth or paper towel. If moisture remains, dry the surface with another cloth. If needed, a gentle non-abrasive cleanser may be used, but be sure to wipe away all cleaner residue and dry the surface with a cloth.

## WARRANTY

BDI warrants to the original purchaser that for the below-stated warranty term, BDI will repair or replace any product, part, or component covered by this warranty that fails under normal use as a result of a defect in material or workmanship. BDI will repair or replace the aforementioned product, part or component with a comparable product, part or component. The decision to repair or replace will be at BDI's sole discretion.

BDI Home Theater Furniture, Office Furniture, Modular Systems, Tables, and other furniture pieces are warranted for three (3) years from the date of purchase as shown on your sales receipt. The warranty period starts from the date of purchase. This warranty extends only to the original purchasers who acquire new products from BDI Authorized Resellers. Any product, part, or component must have been assembled, installed, used, and maintained according to BDI's published instructions to be eligible for warranty coverage. Any modification to the original product voids the warranty.

To view BDI's complete warranty information, visit [www.bdiusa.com/warranty](http://www.bdiusa.com/warranty)

## PRODUCT REGISTRATION

Registering your new BDI product allows us to send you important product updates, service information, and helpful hints related to your BDI products. Register today, and you will be entered to win free a BINK table from BDI: [www.bdiusa.com/register](http://www.bdiusa.com/register)



# WARNING

**SERIOUS OR FATAL CRUSHING INJURIES CAN OCCUR FROM FURNITURE TIP-OVER. TO HELP PREVENT TIP-OVER:**

- Install tip-over restraint.
- Place heaviest items in lower compartments.
- Never allow children to climb or hang on drawers, doors, or shelves.
- Never open more than one drawer at a time.

**USE OF TIP-OVER RESTRAINT MAY REDUCE—BUT NOT ELIMINATE—THE RISK OF TIP-OVER.**



BDIUSA.COM

These distinctive product configurations are protected by US and international patents, trade dress, and/or copyright laws. Linea & BDI are trademarks of Becker Designed, Inc. All rights reserved. ©2021, BDI | V.03.02.2021

Made in Vietnam.