

playLITE

# 15 STRING HARP

USER MANUAL

---

## **INTRODUCTION**

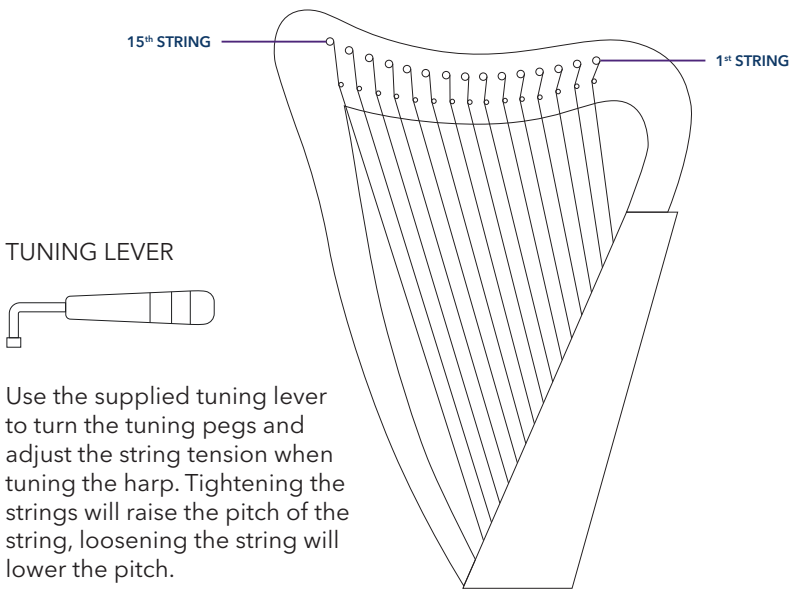
Thank you for purchasing a playLITE 15 String Harp. To get the most out of your product, please read this manual carefully.

## **CONTENTS**

- Harp
- Padded Gig Bag
- Tuning Lever
- Shoulder Strap
- User Manual

---

## HARP TUNING



---

## MAINTENANCE OF YOUR HARP

playLITE harps include selected tonewoods to produce the best quality sound and to ensure optimal performance of the instrument over time. As wood is a living material, it is important to know that your instrument is subject to humidity and temperature variations. The recommended climate conditions are below:

Optimal temperature:  $20^{\circ}\text{C} \pm 10^{\circ}\text{C}$  ( $50^{\circ}\text{F} - 86^{\circ}\text{F}$ )

Optimal Humidity:  $50\% \pm 15\%$

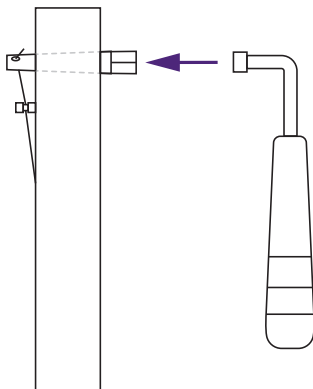
The harp must be kept away from heat sources and never exposed to direct sunlight to avoid damage to the body and strings. It is always recommended to keep the instrument in its included padded bag when not in use.

Clean your instrument only using a dry cloth, and remove all fingerprints from the instrument after playing to protect the finish. Do not use solvents or other domestic cleaners to clean or polish the instrument.

---

## INITIAL TUNING

Tuning can be made by tightening and loosening the pegs on the top of the harp (clockwise to tighten and anticlockwise to loosen) using the included tuning key.

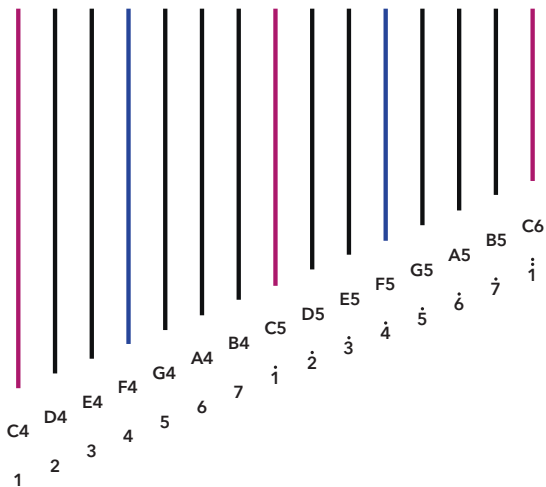


The tuning pegs are tapered meaning that they are wider at the end with the tuning lever socket and narrower at the other end.

Please note that nylon strings can take a while to settle to their desired tuning. To get the best results, and avoid snapping the strings, tune the harp up a little, so there is some tension in the strings and leave for a few hours. Then, over a series of repeated tunings, slowly raise the tension of the strings up to the recommended tuning.

---

## 15 STRING RANGE



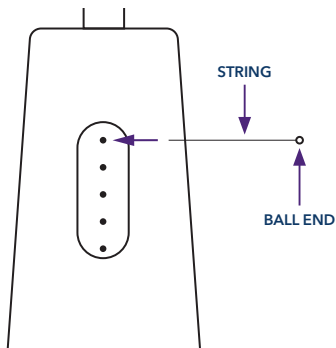
---

## REPLACING THE STRINGS

Always replace the strings with like-for-like (same type and gauge) of harp strings. Replacement string sets are available from Gear4music.

To replace the strings, follow the guide below:

1. Thread the strings upwards through the bottom of the sound hole and pull through until the metal ball ends of the strings reach the soundboard.



---

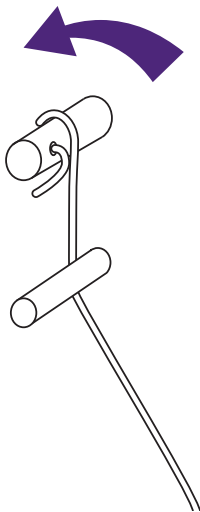
## REPLACING THE STRINGS

2. Thread the string into the hole of the tuning pin and pull in the direction indicated by the arrow.





- 
3. Turn the pin clockwise, taking care to keep the string to the right of the hole and to the left of the bridge pin, as shown in the diagram below, and then follow the initial tuning instructions on page 5.







KETTLESTRING LANE | YORK | YO30 4XF | UNITED KINGDOM  
METALLVÄGEN 45A | 195 72 ROSERSBERG | STOCKHOLM | SVERIGE  
LAHNSTRASSE 27 | 45478 MÜLHEIM AN DER RUHR | DEUTSCHLAND

If you have any more questions about this product, please do not hesitate to contact the Gear4music Customer Service Team on: **+44 (0) 330 365 4444** or **[info@gear4music.com](mailto:info@gear4music.com)**