

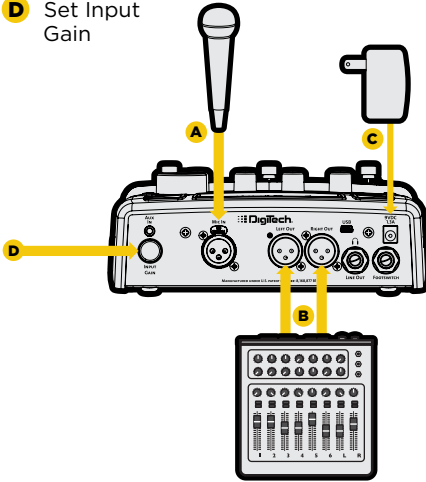
Vocalist[®] LIVEFX

WHAT'S INCLUDED: ■ Vocalist LiveFX ■ Power Supply ■ LiveFX Quick Start ■ Safety/Compliance Information

QUICK START

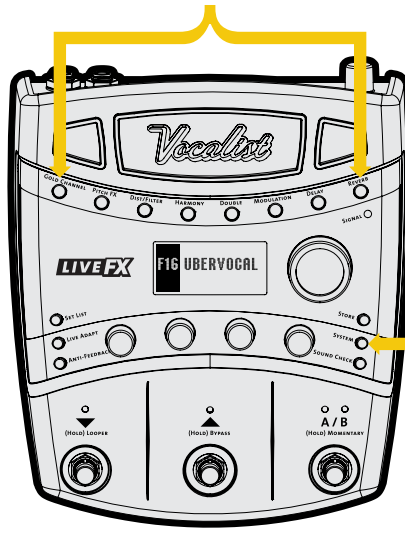
1 ▶ CONNECT

- A** Connect Microphone
- B** Connect Mixer
- C** Connect Power
- D** Set Input Gain



2 ▶ ENGAGE

Press any effect button to turn on/off.
Press and hold to edit.



3 ▶ SING!

You're now ready to use the Vocalist LiveFX.

Visit digitech.com to download the full Vocalist LiveFX owner's manual.

Enjoy!



NOTE:

- Turn down mixer levels before connecting.

Make sure the settings match your system:

- Stereo/Mono
- Phantom Power

TRY THESE COOL NEW FEATURES:

GOLD CHANNEL

8 global effects that create the foundation for your vocal sound.

SET LISTS

Reorder presets for easy navigation when performing.

LIVE ADAPT

Uses the built-in microphone to analyze your music and automatically adapt the noise gate, pitch effect key, harmony key, and effect tempo.

ANTI-FEEDBACK

Enable-it-and-forget-it feedback elimination.

SOUND CHECK

Record a sample of your voice then use it to easily dial in all your effect settings.