

PRODUCT  
**DB1500A**

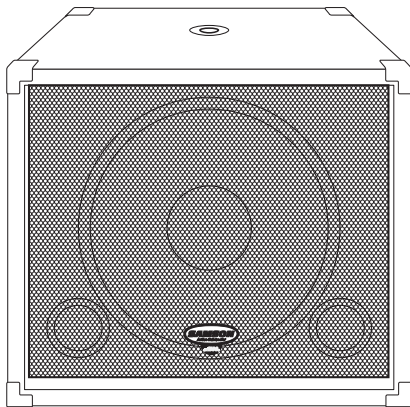
DESCRIPTION  
**ACTIVE SUBWOOFER**

SERIES  
**DB**

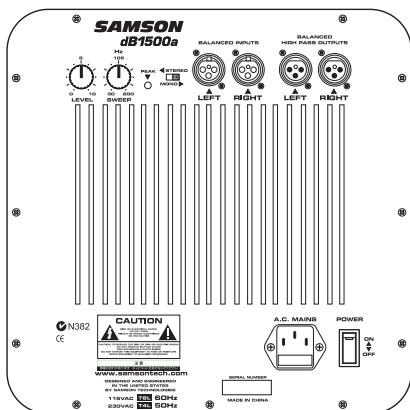
CATEGORY  
**PUBLIC ADDRESS**



FRONT PANEL



BACK PANEL



**GENERAL DESCRIPTION**

The dB1500a is a self-powered subwoofer featuring a 15" heavy duty driver, complemented by a 500 Watt power amplifier. The dB1500a also offers an active stereo crossover providing a high-passed output for running your satellite speakers. Solid 3/4 inch plywood construction, steel corners, tough carpet covering and large casters make the dB1500a a road warrior. In fixed installation systems, the dB1500a provides super tight low frequency output in a relatively small, unobtrusive enclosure. The dB1500a is a perfect add-on to your dB500 and Expedition system, or for any sound reinforcement system where extended low-end is desired. While using your dB1500a, you'll have great low-end anywhere.

**FEATURES**

- > Heavy-duty, 15 inch Low Frequency Transducer With Butyl Rubber Surround
- > Built-in 500 Watt Power Amplifier
- > Balanced High Pass Outputs for Satellite Speakers
- > Variable Crossover 30 - 200 Hz
- > Stereo / Mono Operation Switch
- > Volume Control
- > Heavy-Duty, Rear Mounted Casters
- > Extra Large Grab Handles
- > 35mm Pole Mount Receptacle
- > Heavy-Duty, Steel Grill
- > 3/4" Plywood Construction, internally braced and covered in tough carpet
- > Three-year extended warranty

**ARCHITECT'S & ENGINEER'S SPECIFICATIONS**

The DB1500A shall be a wooden subwoofer cabinet to be used as a FOH subwoofer. It shall be black and have metal mesh grills. It shall have a 500 watt class G power amplifier. It shall have a 15 inch woofer for low frequencies. The DB1500A shall have 2 XLR balanced line inputs with level control and frequency sweep control for the crossover. The DB1500A shall have an amplifier clip and protection LED indicator. The DB1500A shall also have a mono/stereo switch. A standard IEC connector and cable will be supplied for connection to AC power sources.

**PRODUCT SPECIFICATION SHEET**

**DB1500A**

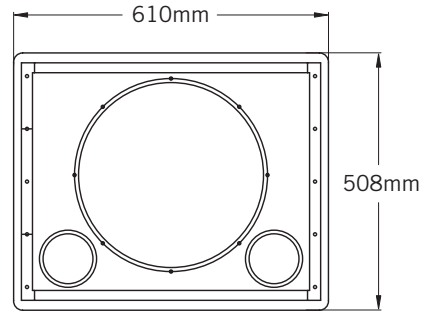
SERIES  
**DB**

DESCRIPTION  
**ACTIVE SUBWOOFER**

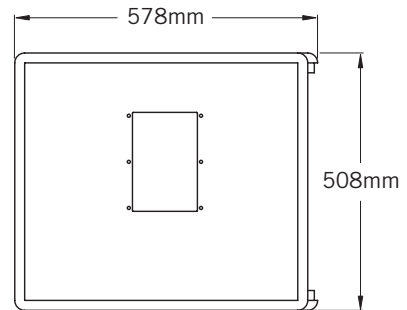
CATEGORY  
**PUBLIC ADDRESS**

**DB1500A SPECIFICATIONS**

- Transducer** ..... 15", Heavy Duty Driver, 3" voice coil, aluminum former
- Power Rating** ..... 500 Watts RMS  
1000 Watts Peak,
- Frequency response**..... 20Hz- 200Hz+/-3 dB
- Input** ..... Balanced  
Connector ..... XLR - FEMALE
- Output** ..... Balanced, high-passed tracking low frequency crossover point  
Connector ..... XLR - MALE
- Crossover Frequency** ..... Variable 30Hz – 200Hz
- Switch Functions**  
Stereo /Mono..... Selects stereo or mono low frequency operation
- Enclosure**  
Construction..... 3/4" plywood, carpet covered  
Finish ..... Black carpet  
Corners ..... Steel  
Casters ..... Three Inch, Heavy Duty  
Mounting ..... Integral 1 3/8" (35mm) Pole Mount Receptacle,
- Dimensions (H x W x D)** ..... 20" x 24" x 22.75"  
508mm x 610 mm x 578mm
- Weight**..... 71 lbs. (32.3 kg)



**FRONT**



**SIDE**