

Classic Phono by **Lenco**

Model No: TT-41



USER MANUAL- Turntable with radio, Bluetooth and speakers

GEBRUIKSHANDLEIDING- Platenspeler met radio, Bluetooth en luidsprekers

BEDIENUNGSANLEITUNG – Plattenspieler mit Radio, Bluetooth und Lautsprechern

MANUEL DE L'UTILISATEUR - Tourne-disque avec radio, Bluetooth et haut-parleurs

MANUAL DE USUARIO- Tocadiscos con radio, Bluetooth y altavoces

MANUALE UTENTE - Giradischi con radio, Bluetooth e altoparlanti

РУКОВОДСТВО ПОЛЬЗОВАТЕЛЯ – Виниловый проигрыватель со встроенными динамиками, радио и Bluetooth

Index:

English	3
Nederlands	13
Deutsch.....	24
Français.....	36
Español	47
Italiano.....	58
Русский.....	69

Version: 2.0

CAUTION:

Usage of controls or adjustments or performance of procedures other than those specified herein may result in hazardous radiation exposure.

PRECAUTIONS BEFORE USE

KEEP THESE INSTRUCTIONS IN MIND:

1. Do not cover or block any ventilation openings. When placing the device on a shelf, leave 5 cm (2") free space around the whole device.
2. Install in accordance with the supplied user manual.
3. Keep the device away from heat sources such as radiators, heaters, stoves, candles and other heat-generating products or naked flame. The device can only be used in moderate climates. Extremely cold or warm environments should be avoided. Working temperature between 0° and 35°C.
4. Avoid using the device near strong magnetic fields.
5. Electrostatic discharge can disturb normal usage of this device. If so, simply reset and restart the device following the instruction manual. During file transmission, please handle with care and operate in a static-free environment.
6. Warning! Never insert an object into the product through the vents or openings. High voltage flows through the product and inserting an object can cause electric shock and/or short circuit internal parts. For the same reason, do not spill water or liquid on the product.
7. Do not use in wet or moist areas such as bathrooms, steamy kitchens or near swimming pools.
8. The device shall not be exposed to dripping or splashing and make sure that no objects filled with liquids, such as vases, are placed on or near the apparatus.
9. Do not use this device when condensation may occur. When the unit is used in a warm wet room with damp, water droplets or condensation may occur inside the unit and the unit may not function properly; let the unit stand in power OFF for 1 or 2 hours before turning on the power: the unit should be dry before getting any power.
10. Although this device is manufactured with the utmost care and checked several times before leaving the factory, it is still possible that problems may occur, as with all electrical appliances. If you notice smoke, an excessive build-up of heat or any other unexpected phenomena, you should disconnect the plug from the main power socket immediately.
11. This device must operate on a power source as specified on the specification label. If you are not sure of the type of power supply used in your home, consult your dealer or local power company.
12. Keep away from animals. Some animals enjoy biting on power cords.
13. To clean the device, use a soft dry cloth. Do not use solvents or petrol based fluids. To remove severe stains, you may use a damp cloth with dilute detergent.
14. The supplier is not responsible for damage or lost data caused by malfunction, misuse, modification of the device or battery replacement.
15. Do not interrupt the connection when the device is formatting or transferring files. Otherwise, data may be corrupted or lost.
16. If the unit has USB playback function, the USB memory stick should be plugged into the unit directly. Don't use an USB extension cable because it can cause interference resulting in failing of data.
17. The rating label has been marked on the bottom or back panel of the device.
18. This device is not intended for use by people (including children) with physical, sensory or mental disabilities, or a lack of experience and knowledge, unless they're under supervision or have received instructions about the correct use of the device by the person who is responsible for their safety.
19. This product is intended for non professional use only and not for commercial or industrial use.

20. Make sure the unit is adjusted to a stable position. Damage caused by using this product in an unstable position vibrations or shocks or by failure to follow any other warning or precaution contained within this user manual will not be covered by warranty.
21. Never remove the casing of this device.
22. Never place this device on other electrical equipment.
23. Do not allow children access to plastic bags.
24. Only use attachments/accessories specified by the manufacturer.
25. Refer all servicing to qualified service personnel. Servicing is required when the device has been damaged in any way, such as the power supply cord or the plug, when liquid has been spilled or objects have fallen into the device, when the device has been exposed to rain or moisture, does not operate normally, or has been dropped.
26. Long exposure to loud sounds from personal music players may lead to temporary or permanent hearing loss.
27. If the product is delivered with power cable or AC power adaptor:
 - If any trouble occur, disconnect the AC power cord and refer servicing to qualified personnel.
 - Don't step on or pinch the power adaptor. Be very careful, particularly near the plugs and the cable's exit point. Do not place heavy items on the power adaptor, which may damage it. Keep the entire device out of children's reach! When playing with the power cable, they can seriously injure themselves.
 - Unplug this device during lightning storms or when unused for a long period.
 - The socket outlet must be installed near the equipment and must be easily accessible.
 - Do not overload ac outlets or extension cords. Overloading can cause fire or electric shock.
 - Devices with class 1 construction should be connected to a main socket outlet with a protective earthed connection.
 - Devices with class 2 construction do not require a earthed connection.
 - Always hold the plug when pulling it out of the main supply socket. Do not pull the power cord. This can cause a short circuit.
 - Do not use a damaged power cord or plug or a loose outlet. Doing so may result in fire or electric shock.
28. If the product contains or is delivered with a remote control containing coin/cell batteries:

Warning:

 - "Do not ingest battery, Chemical Burn Hazard" or equivalent warning.
 - [The remote control supplied with] This product contains a coin/button cell battery. If the battery is swallowed, it can cause severe internal burns in just 2 hours and can lead to death.
 - Keep new and used batteries away from children.
 - If the battery compartment does not close securely, stop using the product and keep it away from children.
 - If you think batteries might have been swallowed or placed inside any part of the body, seek immediate medical attention.
29. Caution about the use of Batteries:
 - Danger of explosion if battery is incorrectly replaced. Replace only with the same or equivalent type.
 - Battery cannot be subjected to high or low extreme temperatures, low air pressure at high altitude during use, storage or transportation.
 - Replacement of a battery with an incorrect type that can result in an explosion or the leakage of flammable liquid or gas.
 - Disposal of a battery into fire or a hot oven, or mechanically crushing or cutting of a battery, that can result in an explosion.
 - Leaving a battery in an extremely high temperature surrounding environment that can result in an explosion or that leakage of flammable liquid or gas.

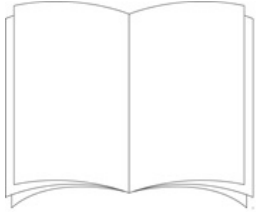
- A battery subjected to extremely low air pressure that may result in an explosion or the leakage of flammable liquid or gas.
- Attention should be drawn to the environmental aspects of battery disposal.

INSTALLATION

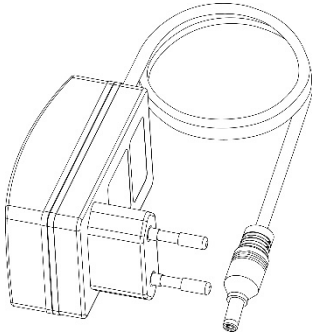
- Unpack all parts and remove protective material.

Accessories included:

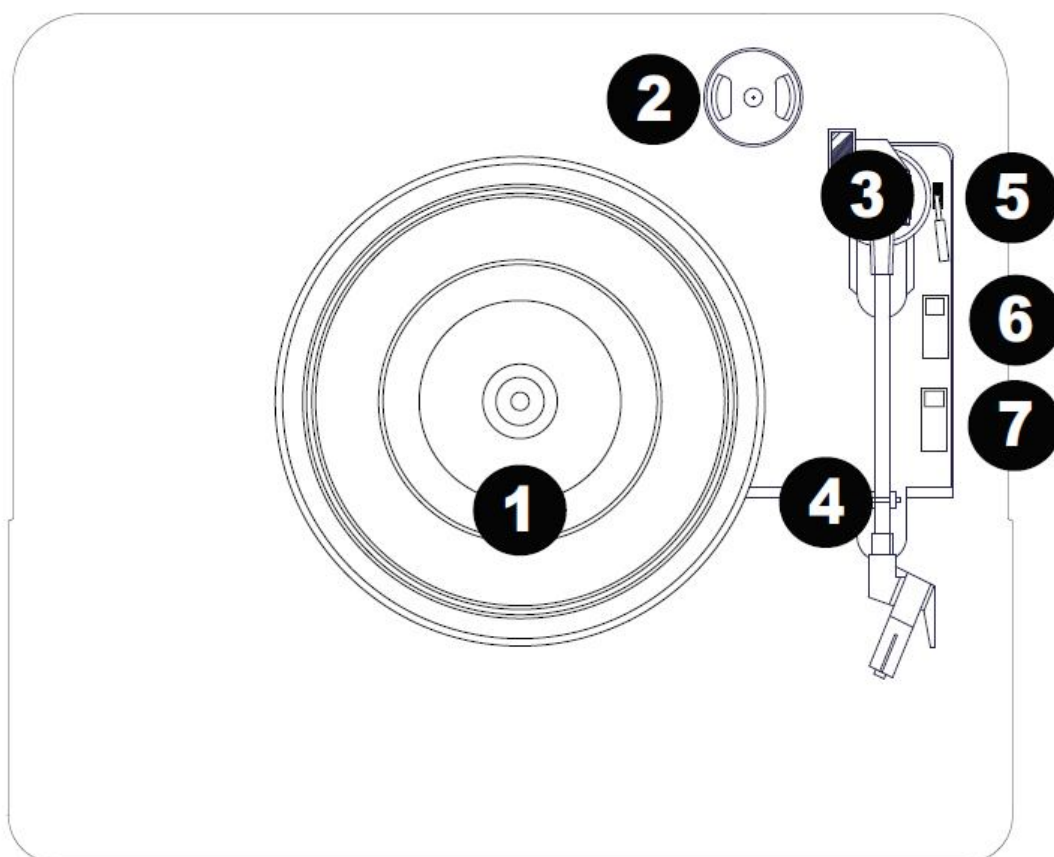
User manual



Power adaptor



Location of Controls

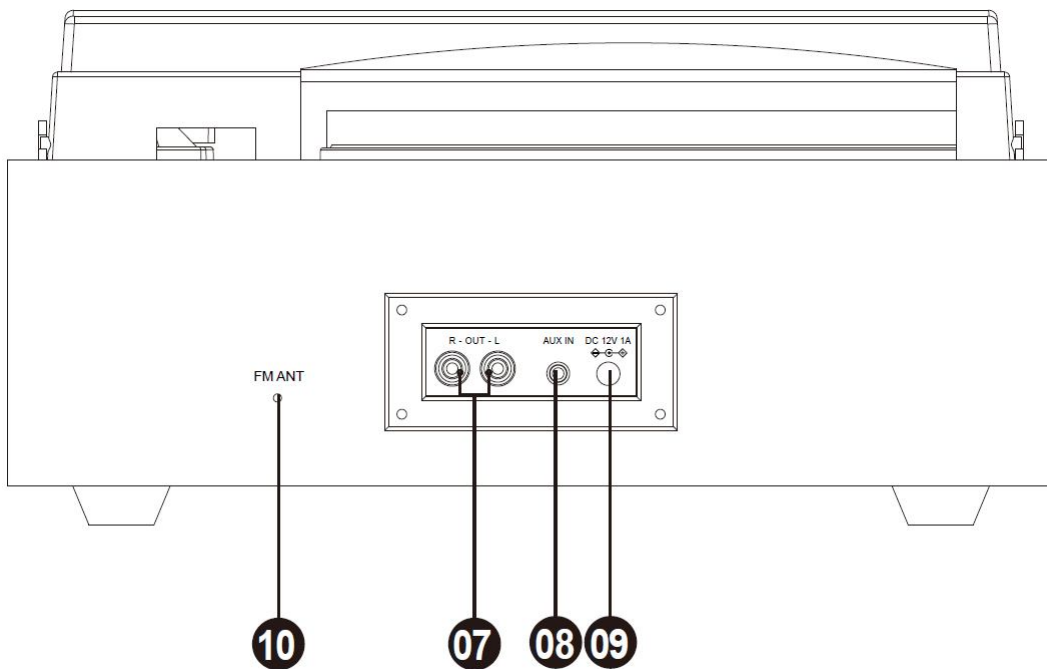
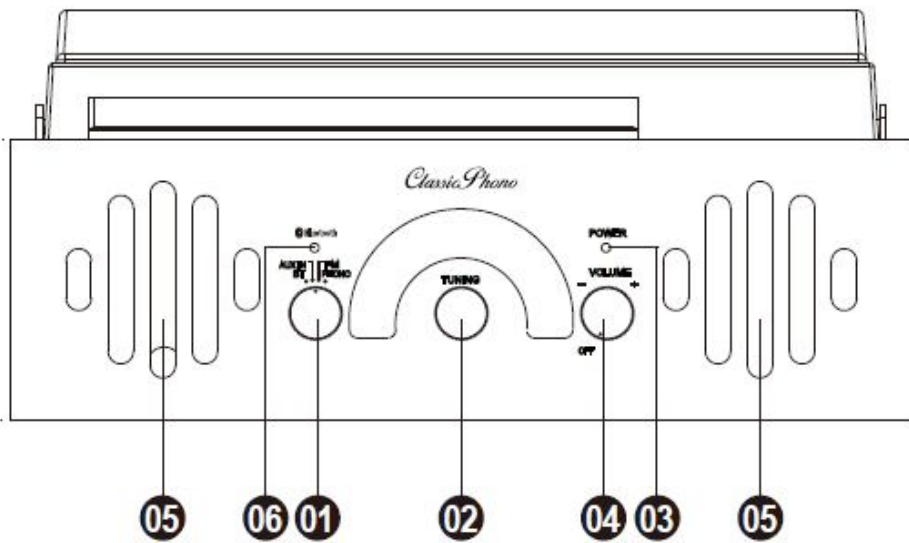


1. **Platter:** Place your record here.
2. **45 RPM Adapter Holder:** Holds the included 45 RPM adapter. When not using the adapter, please place it in this holder.
3. **Tonearm:** The fixed tonearm can be raised and lowered by hand, or by moving the raise / lower lever.
4. **Arm Clip:** This specially designed arm clip secures the tonearm while at rest or when not in use. The arm clip has been designed to remain in the up position while unlocked.
5. **Raise / Lower Lever:** Raises and lowers the tonearm.
6. **Autostop switch:** This switch turns autostop on or off. When autostop is on, the platter will start spinning when the tonearm is placed over the record and stop spinning when the record has reached the end. When Autostop is off, the platter will always spin regardless of the position of the tonearm.

Note: If your vinyl record stops before it reaches the end of the music, turn Autostop to the off position for this particular record. This is generally recommended for 45 RPM records.

7. **33 / 45 / 78 RPM Switch:** This switch controls the speed of the turntable platter.

Note: For best results when playing 78 RPM vinyl records, use a 78 RPM stylus (sold separately). Only use a 78 RPM stylus with 78 RPM vinyl records.



1. **Mode:** Turn this dial to select which source to use: BT, FM, Phono, or Aux In.
2. **Radio Frequency Selector (Tuning):** Turn this dial to select the FM radio station frequency.
3. **Power LED:** This LED illuminates when the power is turned on.
4. **Power ON/OFF and Volume:** Switch On/Off and Adjusts the sound level for the internal speakers.
5. **Speakers:** 2 stereo speakers if the source is stereo.
6. **Bluetooth LED:** This LED illuminates when the Bluetooth mode is turned on.

7. **RCA Jack:** Connect to external speaker (not included)
8. **AUX IN Jack:** Connect to external audio device e.g. MP3, mobile phone etc to listen music in this unit
9. **Adaptor Jack:** Connect power adaptor
10. **FM Antenna:** FM Radio signal reception

Turntable Playback

Before use, please make sure to:

Remove the stylus protector. Reconnect the protective cap on the stylus when not in use. Ensure the tonearm is free to move from the tonearm rest. Lock the tonearm in place again when not in use.

1. Set the **Mode** selector to **Phono** and lift the turntable dust cover.
2. Place a record on the turntable, over the central spindle on the slipmat.
3. Set the **Speed** selector to 33, 45, or 78 RPM depending on the record.
4. Lift the tonearm from the tonearm rest by using the Raise Lever and slowly move it over the record.

The turntable platter will start turning.

5. Place the tonearm on the desired location of the record.
6. Gently lower the tonearm onto the record to start playing.
7. When the record is finished playing, the tonearm will automatically stop. Lift the tonearm from the record and put it back on the rest.
8. To manually stop the record, lift the tonearm from the record and return it to the rest.

Note: Do not stop or turn the platter manually. Moving or jarring the turntable without securing the tonearm clamp could result in damage to the tonearm.

Autostop Switch Operation

Certain types of records may have an autostop area outside the pre-set limit, so the turntable may stop before the last track finishes. If this occurs, set the **Autostop** switch to the **Off** position. This allows the record to play to the end, but it will not stop automatically. You must manually raise the tonearm and place it back in the rest and then turn the power off to stop the turntable from spinning.

AUX IN MODE

1. Set the **Mode** selector to **Aux In**.
2. Connect stereo audio cable (not included) from the **Aux In** Jack to the line output or headphone output of your external audio device to be able to listen to the external source through internal speakers.
3. Adjust the volume to the desired level.

Note: If the line output of your external device is connected, you only need to adjust the system's volume control. If your external device's headphone output is connected, you may need to adjust the volume control on both your external device and TT-41 achieve the desired volume.

RADIO MODE

1. Set the **Mode** selector to the **FM** position.
2. Select the desired radio station by turning the **Tuning** knob.
3. Adjust the volume to the desired level.
4. When finished listening to the radio, set the **Mode** selector to the **Phono** position to turn off the radio.

Note: The receiver has a built-in FM antenna hanging at the rear cabinet. This wire should be fully uncoiled and extended for best reception.

BLUETOOTH MODE

1. Set the **Mode** selector to the **BT** position. The Power Led Light Indicator will begin to flash BLUE.
2. Turn your external device's Bluetooth Setting ON. Wait a moment, then look for the Bluetooth pairing name "TT-41"
3. Select the Bluetooth pairing name, to connect the unit. Once connected, the BLUE Led light will stop flashing.
4. You are now connected to your external device via Bluetooth
5. The best is to put the **volume** level on your Bluetooth device (**smartphone or tablet**) on the **maximum** and adjust the desired listening volume with your turntable volume control switch.

CONNECT THE TT-41 TO EXTERNAL ACTIVE SPEAKERS OR EXTERNAL HIFI SET

Connect the RCA Output Jack to the external speaker system with the RCA cable (not provided) to enjoy vinyl records music on your speaker system.

HOW TO REPLACE THE NEEDLE

To replace the needle, please refer to the instructions below.

Removing the needle from the cartridge

1. Place a screwdriver at the tip of the stylus and push downward as shown in direction "A".
2. Remove the stylus by pulling the stylus forward and pushing downward.

Installing the Stylus

1. Hold the tip of the stylus and insert the stylus by pressing as shown in direction "B".
2. Push the stylus upward as in direction "C" until the stylus locks into the tip position.



NOTES

We advise you to clean your records with an anti-static cloth to gain maximum enjoyment from them.

We would also point out that for the same reason your stylus should be replaced periodically (approximately every 250 playback hours)

TIPS FOR BETTER TURNTABLE PERFORMANCE

1. When opening or closing the turntable cover, handle it gently, gripping it either at the Center or at each side.
2. Do not touch the needle tip with your fingers; avoid bumping the needle against the turntable platter or record edge.
3. Frequently clean the needle tip And use a soft brush in a “back-to-front” motion only.
4. If you must use a needle cleaning fluid, use very sparingly.
5. Gently wipe the turntable player housing with a soft cloth. Use only a small amount of mild detergent to clean the turntable player.
6. Never apply harsh chemicals or solvents to any part of the turntable system.

Guarantee

Lenco offers service and warranty in accordance to European law, which means that in case of repairs (both during and after the warranty period) you should contact your local dealer.

Important note: It is not possible to send products that need repairs to Lenco directly.

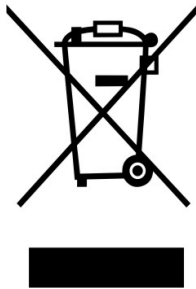
Important note: If this unit is opened or accessed by a non-official service center in any way, the warranty expires.

This device is not suitable for professional use. In case of professional use, all warranty obligations of the manufacturer will be voided.

Disclaimer

Updates to Firmware and/or hardware components are made regularly. Therefore some of the instruction, specifications and pictures in this documentation may differ slightly from your particular situation. All items described in this guide for illustration purposes only and may not apply to particular situation. No legal right or entitlements may be obtained from the description made in this manual.

Disposal of the Old Device



This symbol indicates that the relevant electrical product or battery should not be disposed of as general household waste in Europe. To ensure the correct waste treatment of the product and battery, please dispose them in accordance to any applicable local laws of requirement for disposal of electrical equipment or batteries. In so doing, you will help to conserve natural resources and improve standards of environmental protection in treatment and disposal of electrical waste (Waste Electrical and Electronic Equipment Directive).

CE Marking



Hereby, Lenco Benelux B.V., Thermiekstraat 1a, 6361 HB Nuth, The Netherlands, declares that this product is in compliance with the essential EU directive requirements.

The declaration of conformity may be consulted via techdoc@commaxxgroup.com

Service

For more information and helpdesk support, please visit www.lenco.com

Lenco Benelux BV, Thermiekstraat 1a, 6361 HB Nuth, The Netherlands.

LET OP:

Gebruik van bedieningen of afstellingen of uitvoer van procedures anders dan gespecificeerd in deze documentatie kan leiden tot blootstelling aan schadelijke straling.

VOORZORGSMAATREGELEN VOOR GEBRUIK

ONTHOUD DE VOLGENDE INSTRUCTIES:

1. Bedek of blokkeer de ventilatieopeningen niet. Wanneer u het apparaat op een schap plaatst, dient u 5 cm (2") vrije ruimte rondom het gehele apparaat te behouden.
2. Installeer het product volgens de meegeleverde gebruikershandleiding.
3. Houd het apparaat uit de buurt van hittebronnen, zoals radiatoren, verwarmingen, kachels, kaarsen en andere hittegenererende producten of open vuur. Het apparaat kan alleen worden gebruikt in een gematigd klimaat. Extreem koude of warme omgevingen dienen te worden vermeden. Bedrijfstemperatuur tussen 0 °C en 35 °C.
4. Gebruik dit apparaat niet in de buurt van krachtige magnetische velden.
5. Elektrostatische ontlading kan normaal gebruik van dit apparaat verstoren. U hoeft het apparaat in dit geval slechts te resetten en opnieuw op te starten volgens de gebruikershandleiding. Wees voorzichtig tijdens bestandsoverdracht en gebruik het product in een omgeving zonder statische interferentie.
6. Waarschuwing! Steek nooit een voorwerp via de ventilatie- of andere openingen in het product. Er is hoogspanning in het product aanwezig en als u er een object insteekt, kan dat een elektrische schok veroorzaken en/of kortsluiting in de interne onderdelen. Mors om dezelfde reden geen water of vloeistof op het product.
7. Gebruik het toestel niet in vochtige ruimtes, zoals badkamers, stomende keukens of in de buurt van zwembaden.
8. Het apparaat mag niet worden blootgesteld aan druppels en spetters en zorg ervoor dat er geen met vloeistof gevulde voorwerpen, zoals vazen, op of in de buurt van het apparaat worden geplaatst.
9. Gebruik dit apparaat niet wanneer condensatie kan optreden. Wanneer het apparaat in een warme en vochtige kamer wordt gebruikt, dan kunnen er waterdruppeltjes of condensatie binnenin het apparaat worden gevormd waardoor het apparaat mogelijk niet meer goed werkt; houd een apparaat 1 of 2 uur op UIT staan voordat u de voeding weer inschakelt: het apparaat dient droog te zijn voordat deze stroom ontvangt.
10. Alhoewel dit apparaat met grote zorg gefabriceerd en verschillende keren geïnspecteerd is voordat het de fabriek verlaat, is het nog steeds mogelijk dat er problemen optreden, zoals met alle elektrische apparaten. Als u rook, een overmatige hitteontwikkeling of enig ander onverwacht verschijnsel, moet u onmiddellijk de stekker van het netsnoer uit het stopcontact halen.
11. Dit apparaat moet werken op een voedingsbron, zoals aangegeven op het specificatieplaatje. Als u twijfelt over het type voeding dat gebruikt wordt in uw huis, raadpleeg dan uw dealer of plaatselijk energiebedrijf.
12. Buiten bereik van dieren houden. Sommige dieren bijten graag op voedingskabels.
13. Gebruik een zacht, droog doekje om het apparaat te reinigen. Gebruik geen oplosmiddelen of op benzine gebaseerde vloeistoffen. U kunt een vochtig doekje met verdund schoonmaakmiddel gebruiken om hardnekkige vlekken te verwijderen.
14. De leverancier is niet verantwoordelijk voor schade of verloren gegevens veroorzaakt door storing, misbruik, modificatie van het apparaat of batterijvervanging.
15. Onderbreek nooit de verbinding wanneer het apparaat formatteert of bestanden overdraagt. De gegevens kunnen anders corrupt of verloren raken.
16. Indien het apparaat een USB-afspeelfunctie heeft, moet de USB-geheugenstick rechtstreeks op het apparaat worden aangesloten. Gebruik geen USB-verlengkabel, omdat die kan leiden tot storingen met foutieve gegevens als gevolg.
17. Het nominale specificatielabel is te vinden op het paneel aan de onder- of achterkant van het apparaat.
18. Dit apparaat is niet bestemd voor gebruik door mensen (inclusief kinderen) met fysieke, zintuiglijke of geestelijke gebreken of gebrek aan kennis en ervaring, tenzij zij onder

- toezicht staan of instructies hebben over het juiste gebruik van het apparaat hebben gekregen van de persoon die verantwoordelijk is voor hun veiligheid.
19. Dit product is alleen voor niet-professioneel gebruik bedoeld en niet voor commercieel of industrieel gebruik.
 20. Verzekeer u ervan dat het apparaat in een stabiele positie staat opgesteld. Beschadigingen veroorzaakt door het gebruik van dit apparaat in een onstabiele positie, trillingen of schokken of door het niet opvolgen van andere waarschuwingen of voorzorgsmaatregelen beschreven in deze gebruikshandleiding worden niet gedekt door de garantie.
 21. Verwijder nooit de behuizing van dit apparaat.
 22. Plaats dit apparaat nooit op andere elektrische apparatuur.
 23. Geef kinderen geen gelegenheid in aanraking met plastic zakken te komen.
 24. Gebruik uitsluitend uitbreidingen/accessoires gespecificeerd door de fabrikant.
 25. Laat alle reparaties over aan gekwalificeerd onderhoudspersoneel. Onderhoud is vereist als het toestel hoe dan ook is beschadigd, zoals bijvoorbeeld het netsnoer of de stekker, wanneer er vloeistof of een voorwerp in het apparaat is terechtgekomen, wanneer het apparaat is blootgesteld aan regen of vocht, als het niet normaal werkt of is gevallen.
 26. Langdurige blootstelling aan harde geluiden van persoonlijke muzikspelers kan leiden tot tijdelijk of permanent gehoorverlies.
 27. Als het product wordt geleverd met voedingskabel of AC-stroomadapter:
 - Als er problemen optreden, koppel de wisselstroomvoedingskaart dan los en laat reparaties over aan bevoegd personeel.
 - Nooit op de stroomadapter stappen of deze indrukken. Wees voornamelijk voorzichtig in de buurt van de stekkers en het punt waar de kabel uit het apparaat komt. Plaats geen zware voorwerpen op de stroomadapter, om beschadiging ervan te voorkomen. Houd het gehele apparaat buiten bereik van kinderen! Wanneer kinderen met de voedingskabel spelen, kunnen zij ernstig letsel oplopen.
 - Haal de stekker uit het stopcontact tijdens onweer of wanneer u deze langere tijd niet gebruikt.
 - Het stopcontact moet in de buurt van de apparatuur zijn geïnstalleerd en eenvoudig te bereiken zijn.
 - Overbelast stopcontacten of verlengsnoeren niet. Overbelasting kan brand of een elektrische schok veroorzaken.
 - Apparaten met een Klasse 1 structuur dienen te worden aangesloten op een stopcontact met een beschermende aardverbinding.
 - Apparaten met een Klasse 2 structuur vereisen geen aardverbinding.
 - Houd altijd de stekker vast wanneer u deze uit het stopcontact trekt. Trek nooit aan de voedingskabel. Dit kan tot een kortsluiting leiden.
 - Gebruik nooit een beschadigde voedingskabel of stekker of een los stopcontact. Dit vormt namelijk een risico op brand of elektrische schokken.
 28. Indien het product knoopcelbatterijen bevat of wordt geleverd met een afstandsbediening die knoopcelbatterijen bevat:

Waarschuwing:

 - "Batterij niet inslikken, chemisch brandgevaar" of gelijkwaardige werking.
 - [De afstandsbediening meegeleverd met] Dit product bevat een munt-/knoopcelbatterij. Als de batterij wordt ingeslikt, kan deze in slechts 2 uur ernstige interne brandwonden veroorzaken en tot de dood leiden.
 - Houd nieuwe en gebruikte batterijen buiten bereik van kinderen.
 - Als de batterijhouder niet goed kan worden gesloten, dient u het product niet meer te gebruiken en buiten bereik van kinderen te houden.
 - Als u denkt dat batterijen zijn ingeslikt of binnenin een willekeurig lichaamsdeel terecht zijn gekomen, dient u onmiddellijk medische hulp te zoeken.
 29. Waarschuwing m.b.t. het gebruik van batterijen:
 - Als de batterij onjuist wordt geplaatst, bestaat er explosiegevaar. Vervang de batterij alleen door een zelfde of vergelijkbare soort batterij.

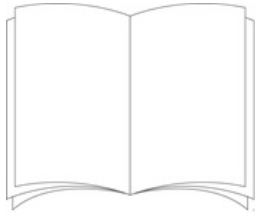
- Stel de batterij niet bloot aan extreem hoge of lage temperaturen of een lage luchtdruk op grote hoogte tijdens gebruik, opslag of transport.
- Vervanging van een batterij door een incorrect type kan leiden tot een ontploffing of de lekkage van ontvlambare vloeistoffen of gas.
- Verwijdering van een batterij in vuur of een hete oven of het mechanisch verpletteren of snijden van een batterij kan leiden tot een ontploffing.
- Laat een batterij nooit achter in omgevingen met extreem hoge temperaturen, anders kan dit leiden tot een ontploffing of de lekkage van ontvlambare vloeistoffen of gas.
- Stel een batterij nooit bloot aan een extreem lage luchtdruk, anders kan dit leiden tot een ontploffing of de lekkage van ontvlambare vloeistoffen of gas.
- Aandacht voor het milieu is nodig bij het verwijderen van de batterijen.

INSTALLATIE

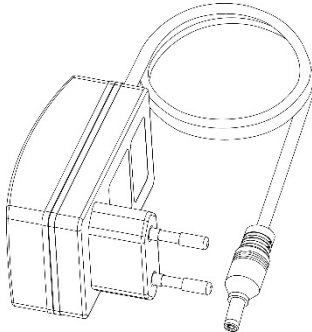
- Pak alle onderdelen uit en verwijder de beschermende materialen.

Inbegrepen toebehoren:

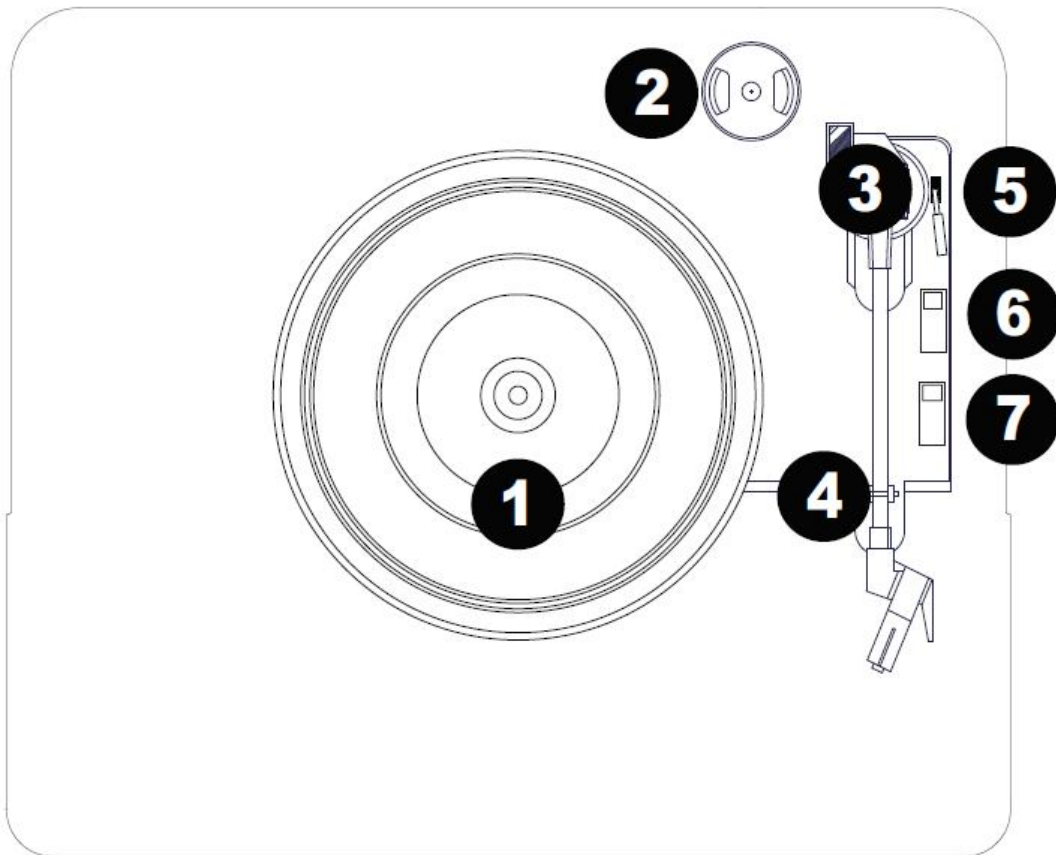
Handleiding



Voedingsadapter



Plaats van de bedieningsknoppen

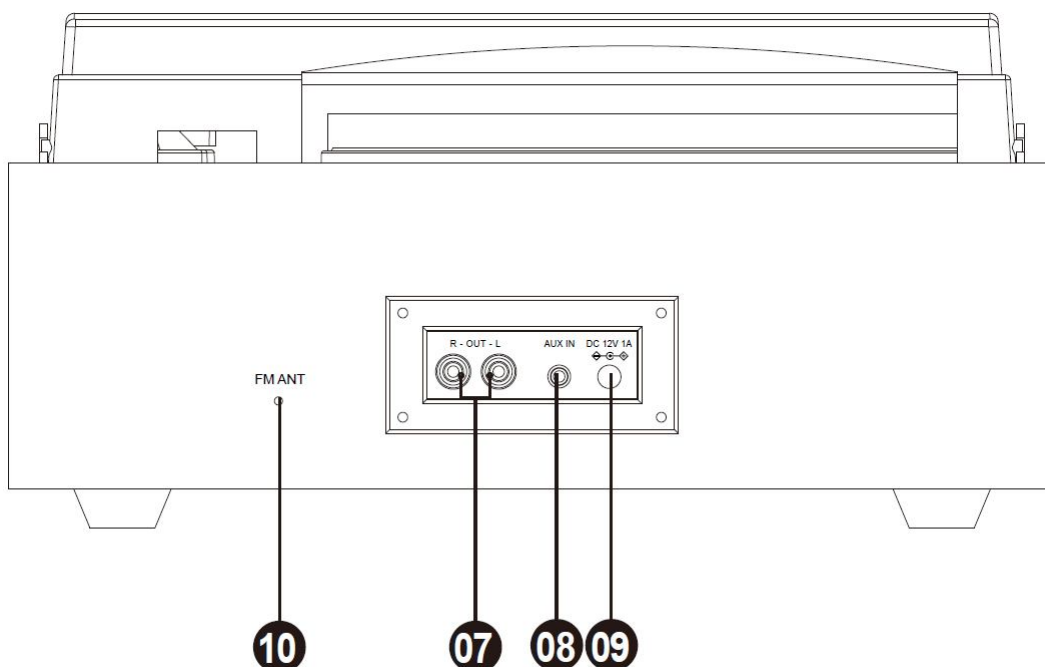
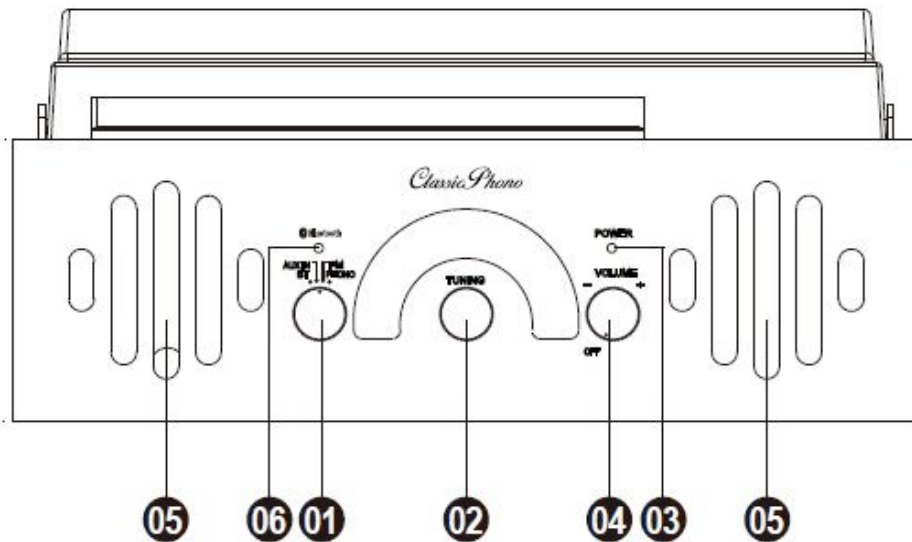


1. **Plateau:** Plaats uw plaat hier.
2. **45-toeren adapterhouder:** Geschikt voor de meegeleverde 45-toeren adapter. Plaats de adapter in deze houder als u het niet gebruikt.
3. **Toonarm:** De vaste toonarm kan met de hand worden opgetild en neergelaten, of door de hendel omhoog/omlaag te bewegen.
4. **Armvergrendeling:** Deze speciaal ontworpen armvergrendeling houdt de toonarm vast wanneer in rust is of wanneer deze niet wordt gebruikt. De armvergrendeling is ontworpen om in de hoogste positie te houden wanneer deze ontgrendeld is.
5. **Hendel tillen/neerhalen:** Tilt en haalt de toonarm neer.
6. **Autostop-schakelaar:** Deze schakelaar zet autostop aan of uit. Als autostop is aangezet, begint de plaat te draaien wanneer de toonarm over de plaat wordt geplaatst en stopt met draaien wanneer de plaat het einde heeft bereikt. Als Autostop is uitgezet, draait de plaat altijd, ongeacht de positie van de toonarm.

Opmerking: Als uw vinylplaat stopt voordat het einde van de muziek is bereikt, zet u Autostop voor deze specifieke plaat op uit. Dit wordt over het algemeen aanbevolen voor 45-toeren platen.

7. **33/45/78-toeren schakelaar:** Met deze schakelaar kunt u de snelheid van de platenspeler regelen.

Opmerking: Gebruik voor het beste resultaat bij het afspelen van vinylplaten met 78 toeren een 78-toeren naald (apart verkrijgbaar). Gebruik alleen een 78-toeren naald voor vinylplaten van 78-toeren.



1. **Modus:** Draai aan deze draaiknop om te selecteren welke bron u wilt gebruiken: BT, FM, Platenspeler, of Aux In.

2. **Schakelaar radiofrequentie (afstemmen):** Draai aan deze knop om de frequentie van het FM-radiostation te selecteren.
3. **Aan-/uit-LED:** Deze LED licht op wanneer de voeding is ingeschakeld.
4. **In-/uitschakelen en volume:** In-/uitschakelen en volume van de interne geluidsprekers aanpassen.
5. **Luidsprekers:** 2 stereoluidsprekers als de bron stereo is.
6. **Bluetooth-LED:** Deze LED licht op wanneer de bluetooth-modus is ingeschakeld.
7. **RCA-aansluiting:** Aansluiting voor externe luidspreker (niet inbegrepen)
8. **AUX IN-aansluiting:** Aansluiting voor een extern audioapparaat, bijv. MP3, mobiele telefoon enz. om naar muziek te luisteren op dit apparaat
9. **Aansluiting adapter:** Aansluiting voedingsadapter
10. **FM-antenne:** Ontvangst van FM-radiosignaal

Platenspeler afspelen

Zorg voor gebruik ervoor:

Verwijder de naaldbeschermer. Plaats het beschermkapje terug op de naald wanneer niet in gebruik.

Zorg ervoor dat de toonarm vrij kan bewegen van de toonarmsteun. Vergrendel de toonarm weer op zijn plaats wanneer deze niet in gebruik is.

1. Zet de schakelaar **Mode** op **Phono** en til de stofkap van de draaitafel op.
2. Leg een plaat op de platenspeler, over de middenas op de slipmat.
3. Zet de keuzeschakelaar **Speed** op 33, 45 of 78 toeren, afhankelijk van de plaat.
4. Til de toonarm van de toonarmsteun met behulp van de hefhendel en beweeg deze langzaam over de plaat.

De platenspeler begint te draaien.

5. Plaats de toonarm op de gewenste locatie van de plaat.
6. Laat de toonarm voorzichtig op de plaat zakken om te beginnen met afspelen.
7. De toonarm stopt automatisch als de plaat klaar is met afspelen. Til de toonarm van de plaat en plaats deze terug op de steun.
8. Om de plaat handmatig te stoppen, tilt u de toonarm van de plaat en legt u deze terug op de steun.

Opmerking: Probeer het draaiplateau nooit met de hand te stoppen of draaien. De platenspeler bewegen of stoten zonder de toonarmklem vast te zetten, zal tot beschadiging leiden van de toonarm.

Werking autostop-schakelaar

Bepaalde soorten langspeelplaten hebben mogelijk een autostop-gebied buiten het vooraf ingestelde eindpunt, waardoor de platenspeler kan stoppen voordat het laatste nummer is

voltooid. Mocht dit het geval zijn, zet dan de schakelaar **Autostop** in de stand **OFF**. Hierdoor kan de plaat tot het einde worden afgespeeld, maar het zal niet automatisch stoppen. U moet de toonarm handmatig omhoog tillen en deze terugplaatsen in de steun en vervolgens de platenspeler uitschakelen om deze te laten stoppen met draaien.

AUX IN-MODUS

1. Zet de keuzeschakelaar **Mode** op **Aux In**.
2. Sluit een stereo-audiokabel (niet inbegrepen) aan op de **Aux In**-aansluiting en op de lijnuitgang of hoofdtelefoonuitgang van uw externe audioapparaat om via interne luidsprekers naar de externe bron te kunnen luisteren.
3. Zet het volume op het gewenste niveau.

Opmerking: Als de lijnuitgang van uw externe apparaat is aangesloten, hoeft u alleen de volumeregeling van het systeem aan te passen. Als de hoofdtelefoonuitgang van uw externe apparaat is aangesloten, moet u mogelijk de volumeregeling op zowel uw externe apparaat als de TT-41 aanpassen om het gewenste volume te krijgen.

RADIOMODUS

1. Zet de keuzeschakelaar op **FM**.
2. Selecteer het gewenste radiostation door aan de knop **Tuning** te draaien.
3. Zet het volume op het gewenste niveau.
4. Wanneer u klaar bent met het luisteren naar de radio, zet u de schakelaar **Mode** op **Phono** om de radio uit te zetten.

Opmerking: De ontvanger heeft een ingebouwde FM-antenne die aan de achterkant van de behuizing hangt. Deze draad dient volledig te worden afgewikkeld en verlengd voor de beste ontvangst.

BLUETOOTH-MODUS

1. Zet de schakelaar **Mode** op **BT**. Het Led-voedingslampje begint BLAUW te knipperen.
2. Zet de bluetooth-instelling van uw externe apparaat AAN. Wacht even en zoek vervolgens naar de Bluetooth-koppelnaam "TT-41"
3. Selecteer de bluetooth-koppelnaam om het apparaat te verbinden. Het blauwe LED-lampje stopt met knipperen zodra verbinding is gemaakt.
4. U bent nu via bluetooth met uw externe apparaat verbonden.
5. Het beste is om het **volumeniveau** op uw Bluetooth-apparaat (smartphone of tablet) op **maximaal** te zetten en het gewenste luistervolume aan te passen met de volumeregelaar van uw platenspeler.

DE TT-41 MET EXTERNE ACTIEVE LUIDSPREKERS OF EXTERNE HIFI-SET VERBINDEN

Sluit de RCA-uitgang aan op een extern luidsprekersysteem met behulp van de RCA-kabel (niet meegeleverd) om via uw externe systeem van uw platen te genieten.

HET VERVANGEN VAN DE NAALD

Om de naald te vervangen, verwijzen wij u naar de onderstaande instructies.

Het verwijderen van de naald uit het element

1. Plaats een schroevendraaier tegen de punt van de stylus en duw naar onderen zoals weergegeven in aanwijzing "A".
2. Verwijder de stylus door de stylus naar voren te trekken en naar onderen te duwen.

De stylus installeren

1. Houd de punt van de stylus vast en steek de stylus in door te drukken zoals weergegeven in aanwijzing "B".
2. Duw de stylus naar boven zoals in aanwijzing "C" totdat de stylus in de puntstand staat.



OPMERKINGEN

Wij adviseren u uw platen schoon te maken met een anti-statische doek om maximaal van ze te genieten.

Om dezelfde reden dient uw stylus periodiek te worden vervangen (circa elke 250 afspeeluren).

TIPS VOOR EEN GOED GEBRUIK VAN UW PLATENSPELER

1. Ga voorzichtig te werk bij het openen of sluiten van de stofkap door deze in het midden of aan beide zijden tegelijk vast te pakken.
2. Raak de naaldpunt niet met uw vingers aan. Vermijd het stoten van de naald tegen de draaitafel of tegen de rand van de plaat.
3. Reinig de punt van de naald regelmatig. Gebruik een zachte borstel alleen in een beweging van achter naar voren.

4. Als u een reinigingsvloeistof voor de naald moet gebruiken, gebruik deze dan zeer spaarzaam.
5. Veeg de behuizing van de platenspeler voorzichtig af met een zachte doek. Gebruik slechts een klein beetje mild reinigingsmiddel om de platenspeler af te nemen.
6. Gebruik nooit agressieve chemicaliën of oplosmiddelen om onderdelen van het draaitafelsysteem te reinigen.

SPECIFICATIES

Voedingsadapter.	Uitvoer DC 12 V 1 A Invoer AC 100-240 V, 50/60 Hz, max. 0,3 A
Bluetooth:	V5.0
BT-koppelnaam:	TT-41
Aux in:	3,5 mm
Aux uit:	RCA-type
FM-frequentieband	87,5 - 108 MHz
Bluetooth-frequentie	2402-2480MHz
Bedrijfstemperatuur:	0°C-40°C
Opslagtemperatuur:	-20°C-70°C

Vanwege doorlopende verbeteringen zijn de functies en het ontwerp zonder nadere aankondiging onderhevig aan wijzigingen

Voedingsadapter (alleen voor EU)

Gebruik uitsluitend de voedingsadapter die in de gebruiksaanwijzing wordt vermeld

Informatie	Waarde en precisie
Naam of handelsmerk van de fabrikant, handelsregistratie en adres	SHENZHEN SHI GUANGKAIYUAN TECHNOLOGY,LTD. 2 floor, 41 TianSheng Road, TianLiao village, GongMing Street, Guangming, Shenzhen, GuangDong, P.R.China
Modelaanduiding	GKYZA0100120EU
Ingangsspanning	100-240 V
Ingangsfrequentie wisselstroom	50/60 Hz
Uitgangsspanning	12V
Uitgangsstroom	1 A
Uitgang	12 W
Gemiddelde actieve efficiëntie	84,84%
Verbruik onbelast vermogen	0,042 W

Garantie

Lenco biedt service en garantie aan overeenkomstig met de Europese wetgeving. Dit houdt in dat u, in het geval van reparaties (zowel tijdens als na de garantieperiode), uw lokale handelaar moet contacteren.

Belangrijke opmerking: Het is niet mogelijk om producten die moeten worden gerepareerd rechtstreeks naar Lenco te sturen.

Belangrijke opmerking: de garantie verloopt als een onofficieel servicecenter het apparaat op wat voor manier dan ook heeft geopend, of er toegang toe heeft gekregen.

Het apparaat is niet geschikt voor professioneel gebruik. In het geval van professioneel gebruik worden alle garantieverplichtingen van de fabrikant nietig verklaard.

Disclaimer

Er worden regelmatig updates in de firmware en/of hardwarecomponenten gemaakt. Daardoor kunnen gedeelten van de instructie, de specificaties en afbeeldingen in deze documentatie enigszins verschillen van uw eigen situatie. Alle onderwerpen die staan beschreven in deze handleiding zijn bedoeld als illustratie en zijn niet van toepassing op specifieke situaties. Aan de beschrijving in dit document kunnen geen rechten worden ontleend.

Afvoer van het oude apparaat



Dit symbool geeft aan dat het betreffende elektrische product of de accu/batterij niet mag worden verwijderd als algemeen huishoudelijk afval in Europa. Zorg voor een juiste afvalverwerking door het product en de accu/batterij in overeenstemming met alle van toepassing zijnde lokale wetten voor het verwijderen van elektrische apparatuur of accu's/batterijen te verwijderen. Als u dit doet, helpt u de natuurlijke bronnen te behouden en de standaard van milieubescherming te verbeteren bij de behandeling en verwijdering van elektrisch afval (Afgedankte Elektrische en Elektronische Apparatuur).

CE-markering



Lenco Benelux B.V., Thermiekstraat 1a, 6361 HB Nuth, Nederland, verklaart hierbij dat dit product voldoet aan de vereisten van de essentiële EU-richtlijnen.

De verklaring van conformiteit kan worden aangevraagd via techdoc@commaxxgroup.com

Service

Bezoek voor meer informatie en helpdeskondersteuning www.lenco.com

Lenco Benelux BV, Thermiekstraat 1a, 6361 HB, Nuth, Nederland.

ACHTUNG:

Eine andere als die hier beschriebene Benutzung der Bedienelemente oder Einstellung oder Durchführung von Abläufen kann zu einer gefährlicher Strahlung ausgesetzt werden führen.

VORSICHTSMASSNAHMEN VOR DER BENUTZUNG

BEFOLGEN SIE IMMER FOLGENDE ANWEISUNGEN:

1. Blockieren oder bedecken Sie keine Lüftungsöffnungen. Wenn Sie das Gerät auf ein Regal stellen, lassen Sie um das gesamte Gerät 5 cm (2") freien Platz.
2. Stellen Sie das Gerät entsprechend den Anweisungen der mitgelieferten Bedienungsanleitung auf.
3. Halten Sie das Gerät von Hitzequellen wie Radiatoren, Heizern, Öfen, Kerzen oder anderen hitzeerzeugenden Produkten oder offenen Flammen fern. Das Gerät darf nur bei gemäßigtem Klima verwendet werden. Sehr kalte oder heiße Umgebungen sind zu vermeiden. Die Betriebstemperatur liegt zwischen 0 °C und 35 °C.
4. Meiden Sie bei der Benutzung des Produkts die Nähe starker Magnetfelder.
5. Elektrostatische Entladungen können die normale Benutzung dieses Geräts stören. Sollte dies geschehen, führen Sie einfach einen Reset aus und starten Sie dann das Gerät entsprechend den Anweisungen dieser Bedienungsanleitung neu. Gehen Sie besonders bei Datenübertragungen mit dem Gerät vorsichtig um und führen Sie diese nur in einer antielektrostatischen Umgebung aus.
6. Warnung! Niemals Gegenstände durch die Lüftungsschlitze oder Öffnungen in das Gerät stecken. In diesem Gerät fließt Hochspannung und das Hineinstecken von Gegenständen kann zu elektrischem Schock und/oder Kurzschluss interner elektrischer Bauteile führen. Spritzen/Gießen Sie aus dem gleichen Grund kein Wasser oder Flüssigkeiten auf das Gerät.
7. Benutzen Sie das Gerät nicht in nasser oder feuchter Umgebung wie Bad, Dampfküche oder in der Nähe von Schwimmbecken.
8. Das Gerät darf weder Tropf- noch Spritzwasser ausgesetzt werden und es dürfen keine mit Flüssigkeit gefüllten Behälter wie z. B. Vasen auf das Gerät oder in der Nähe des Gerätes gestellt werden.
9. Benutzen Sie das Gerät nicht, wenn Kondensation entstehen kann. Wenn Sie das Gerät in einem warmen feuchten Raum mit Dampf benutzen, dann können Wassertropfen oder Kondensation in das Gerät eindringen und u. U. zu Fehlfunktionen des Geräts führen. Schalten Sie in diesem Fall das Gerät für 1 – 2 Stunden aus, bevor Sie es erneut einschalten, wobei Sie darauf achten sollten, dass das Gerät vollständig getrocknet ist, bevor Sie es wieder einschalten.
10. Obwohl dieses Gerät unter größter Sorgfalt hergestellt und vor Auslieferung mehrmals überprüft wurde, können trotzdem wie bei jedem anderen elektrischen Gerät auch Probleme auftauchen. Trennen Sie das Gerät bei Rauchentwicklung, starker Hitzeentwicklung oder jeder anderen unnatürlichen Erscheinung sofort vom Stromnetz.
11. Dieses Gerät ist durch eine Stromquelle wie auf dem Typenschild angegeben zu betreiben. Halten Sie bei Unsicherheiten über die Art Ihrer Stromversorgung in Ihrer Wohnung Rücksprache mit Ihrem Händler oder Ihrer Stromzuliefererfirma.
12. Halten Sie das Gerät von Haustieren fern. Einige Nagetiere lieben es, an Netzkabeln zu nagen.
13. Benutzen Sie für die Reinigung ein weiches und trockenes Tuch. Benutzen Sie niemals Lösungsmittel oder Flüssigkeiten auf Ölbasis. Benutzen Sie zum Entfernen hartnäckiger Flecken ein feuchtes Tuch mit mildem Reinigungsmittel.
14. Der Hersteller haftet nicht für Beschädigungen oder Datenverluste durch Fehlfunktion, Zweckentfremdung oder Modifikation des Geräts oder durch das Wechseln der Batterie.
15. Unterbrechen Sie die Verbindung nicht während einer Formatierung oder einer Datenübertragung. Bei Unterbrechung drohen Datenverlust und Datenbeschädigung.

16. Wenn das Gerät eine USB-Wiedergabefunktion besitzt, dann stecken Sie den USB-Stick direkt in das Gerät. Verwenden Sie kein USB-Verlängerungskabel, weil die erhöhte Störungsanfälligkeit zu Datenverlust führen kann.
17. Das Typenschild befindet sich an der Unter- oder Rückseite des Gerätes.
18. Dieses Gerät ist nicht zur Benutzung durch Personen (einschließlich Kinder) mit physischen, sensorischen oder mentalen Beeinträchtigungen oder ohne ausreichender Erfahrung vorgesehen, es sei denn, sie werden durch eine verantwortliche Person beaufsichtigt oder wurden in die ordnungsgemäße Bedienung des Gerätes durch eine für ihre Sicherheit verantwortlichen Person eingewiesen.
19. Dieses Produkt ist nur für den nicht-professionellen Gebrauch und nicht für gewerbliche oder industrielle Zwecke bestimmt.
20. Stellen Sie sicher, dass das Gerät in einer stabilen Position aufgestellt ist. Schäden, die durch Verwendung dieses Produkts in einer instabilen Position, durch Vibrationen, Stöße oder Nichtbeachtung der anderen in diesem Handbuch enthaltenen Warnungen und Sicherheitsmaßnahmen entstehen, werden nicht durch die Garantie abgedeckt.
21. Entfernen Sie niemals das Gehäuse dieses Geräts.
22. Stellen Sie dieses Gerät niemals auf andere elektrische Geräte.
23. Halten Sie Kinder von den Plastiktüten fern.
24. Benutzen Sie nur vom Hersteller spezifizierte Erweiterungen/Zubehörteile.
25. Lassen Sie alle Wartungs-/Reparaturarbeiten von qualifiziertem Servicepersonal ausführen. Reparatur/Wartung wird notwendig, wenn das Gerät in irgendeiner Weise wie beispielsweise am Netzkabel oder am Netzstecker beschädigt wurde oder wenn Flüssigkeit in das Gerät gelangt ist bzw. Gegenstände in das Gerät gefallen sind, das Gerät Regen oder Feuchtigkeit ausgesetzt war, es heruntergefallen ist oder nicht ordnungsgemäß funktioniert.
26. Langes Hören lauter Töne aus einem Musikgerät kann zum zeitweiligen oder permanenten Hörverlust führen.
27. Wenn zum Lieferumfang des Produkts ein Netzkabel oder ein Netzadapter gehört:
 - Wenn irgendwelche Probleme auftreten, dann trennen Sie das Gerät vom Stromnetz und setzen Sie sich anschließend mit einer qualifizierten Fachkraft in Verbindung.
 - Treten Sie nicht auf den Netzadapter und klemmen Sie ihn auch nicht ein. Seien Sie besonders im näheren Bereich des Netzsteckers und an der Stelle vorsichtig, an der das Netzkabel aus dem Gerät herausgeführt wird. Stellen Sie keine schweren Gegenstände auf den Netzadapter, weil er dadurch beschädigt werden kann. Halten Sie das gesamte Gerät außerhalb der Reichweite von Kindern! Durch Spielen mit dem Netzkabel können sie sich ernsthafte Verletzungen zuziehen.
 - Trennen Sie das Gerät während eines Gewitters oder bei längerer Nichtbenutzung vom Netz.
 - Die Netzsteckdose muss sich in der Nähe des Geräts befinden und einfach zu erreichen sein.
 - Überlasten Sie Steckdosen und Verlängerungsleitungen nicht. Eine Überlastung kann zu Brandgefahr bzw. Stromschlag führen.
 - Geräte der Schutzklasse 1 müssen Sie an eine Netzsteckdose mit Schutzleiter anschließen.
 - Geräte der Schutzklasse 2 benötigen keinen Schutzleiteranschluss.
 - Halten Sie den Netzstecker in der Hand, wenn Sie ihn aus der Netzsteckdose ziehen. Ziehen Sie ihn nicht durch Zerren am Kabel heraus. Das kann zu einem Kurzschluss führen.
 - Verwenden Sie weder ein beschädigtes Netzkabel noch einen beschädigten Netzstecker oder eine lockere Steckdose. Missachtung kann zu Brand oder Stromschlag führen.
28. Wenn das Produkt mit einer Fernbedienung mit Batterien/Knopfzellen geliefert wird oder das Produkt eine derartige Fernbedienung umfasst:

Warnung:

 - Die Batterie nicht einnehmen – Verätzungsgefahr!

- Die mit diesem Produkt mitgelieferte Fernbedienung enthält eine Knopfzelle. Das Verschlucken der Batterie kann innerhalb von nur 2 Stunden zu schwersten inneren Verbrennungen mit Todesfolge führen.
- Halten Sie neue und gebrauchte Batterien von Kindern fern.
- Falls sich das Batteriefach nicht richtig schließen lässt, dann benutzen Sie das Gerät nicht mehr und halten Sie es von Kindern fern.
- Wenn Sie vermuten, dass Batterien verschluckt oder in eine Körperöffnung eingeführt worden sind, dann suchen Sie umgehend eine/-n Ärztin/Arzt auf.

29. Warnhinweise bzgl. der Verwendung von Batterien:

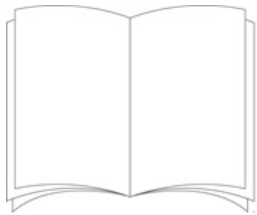
- Es besteht Explosionsgefahr, wenn die Batterien nicht ordnungsgemäß ersetzt werden. Tauschen Sie die Batterie nur gegen eine Batterie des gleichen Typs aus.
- Die Batterie darf während der Benutzung, Aufbewahrung oder des Transports weder sehr hohen oder sehr niedrigen Temperaturen noch niedrigem Luftdruck in großen Höhenlagen ausgesetzt werden.
- Die Ersetzung der Batterie mit einem falschen Batterietyp kann zum Explodieren der Batterie oder zum Entweichen von entflammbarem Gas oder Auslaufen von entflammbarer Flüssigkeit aus der Batterie führen.
- Die Entsorgung der Batterie in Feuer oder einem heißen Ofen oder das mechanische Zerkleinern oder Zerteilen der Batterie kann zu Explosionen führen.
- Das Verbleiben der Batterie in einer Umgebung mit sehr hohen Temperaturen kann zum Explodieren der Batterie oder zum Entweichen von entflammbarem Gas oder Auslaufen von entflammbarer Flüssigkeit aus der Batterie führen.
- Eine einem sehr niedrigen Luftdruck ausgesetzte Batterie kann explodieren oder es kann aus einer einem sehr niedrigen Luftdruck ausgesetzten Batterie entflammbares Gas entweichen oder entflammbare Flüssigkeit auslaufen.
- Legen Sie besonderes Augenmerk auf den ökologischen Aspekt der Batterieentsorgung.

AUFSTELLEN

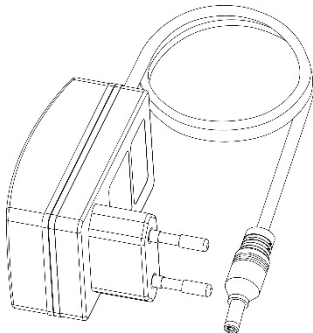
- Packen Sie alle Teile aus und entfernen Sie danach die Schutzmaterialien.

Im Lieferumfang enthaltene Zubehörteile:

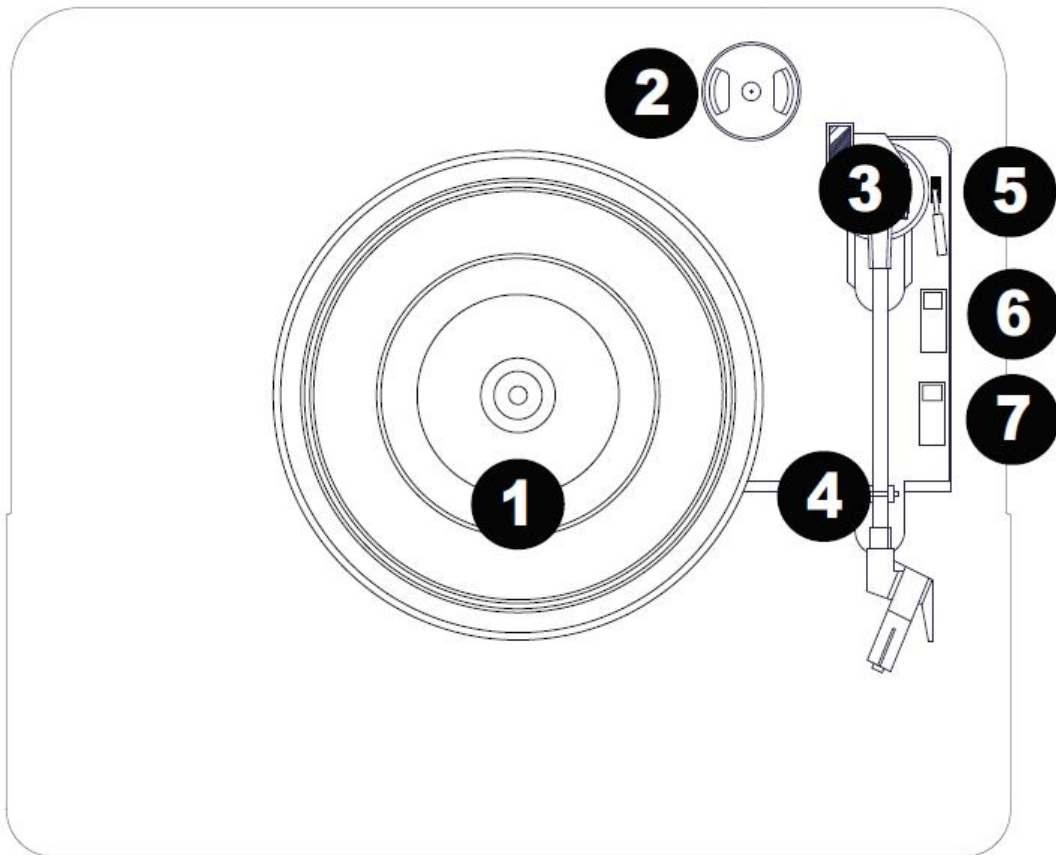
Bedienungsanleitung



Netzadapter



Bedienelemente und Komponenten

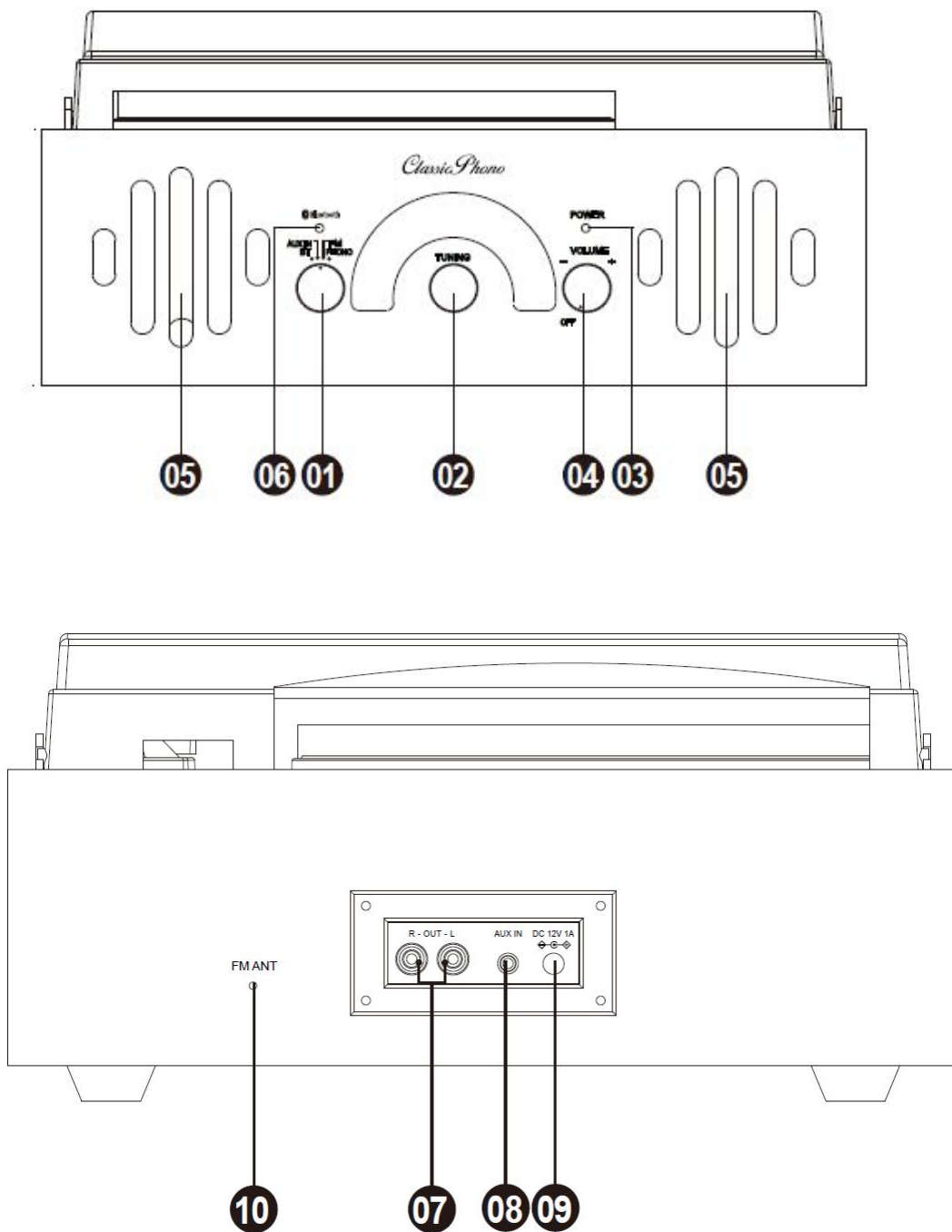


1. **Plattenteller:** Legen Sie hier Ihre Schallplatte auf.
2. **45-U/min-Adapterhalter:** Hält den mitgelieferten 45-U/min-Adapter. Wenn Sie den Adapter nicht benutzen, dann setzen Sie ihn bitte in diese Aufnahme.
3. **Tonarm:** Sie können den feststehenden Tonarm manuell oder über den Tonarmhebel anheben und absenken.
4. **Tonarmclip:** Dieser speziell designte Tonarmclip sichert den Tonarm, wenn er nicht benutzt wird oder während einer Pause. Der Tonarmclip ist so designt, dass er in aufrechter Stellung bleibt, solange er entriegelt ist.
5. **Tonarmhebel:** Mit ihm heben Sie den Tonarm an oder senken ihn ab.
6. **Automatikstoppschalter:** Mit diesem Schalter aktivieren oder deaktivieren Sie die Automatikstoppfunktion. Wenn die Automatikstoppfunktion aktiviert ist, dann beginnt sich der Plattenteller zu drehen, wenn der Tonarm über die Schallplatte bewegt wird und die Plattentellerdrehung wird beendet, wenn das Ende der Schallplatte erreicht ist. Wenn die Autostoppfunktion deaktiviert ist, dann dreht sich der Plattenteller unabhängig der Tonarmstellung.

Hinweis: Wenn Ihre Schallplatte stoppt, bevor das Ende der Schallplatte erreicht ist, dann deaktivieren Sie die Autostoppfunktion für diese spezielle Schallplatte. Dies wird im Allgemeinen für 45-U/min-Schallplatten empfohlen.

7. **33/45/78-U/min-Umschalter:** Mit diesem Schalter steuern Sie die Drehgeschwindigkeit der Schallplatte.

Hinweis: Benutzen Sie für beste Wiedergabeergebnisse für die Wiedergabe von 78-U/min-Schallplatten eine 78-U/min-Tonnadel (als Zubehör erhältlich). Benutzen Sie 78-U/min-Tonnadeln nur mit 78-U/min-Schallplatten.



1. **Modus:** Durch Drehen dieses Drehknopfes wählen Sie die zu benutzende Signalquelle aus: BT, FM, Schallplatte oder AUX-Eingang.
2. **Radiofrequenzwähler (Abstimmen):** Drehen Sie diesen Drehknopf, um die Frequenz des FM-Radiosenders auszuwählen.
3. **Betriebszustands-LED:** Diese LED leuchtet, wenn das Gerät eingeschaltet ist.
4. **Ein-/Ausschalten und Lautstärke:** Ein- und Ausschalten und Einstellen der Lautstärke für die internen Lautsprecher.
5. **Lautsprecher:** 2 Stereolautsprecher, wenn die Signalquelle eine Stereosignalquelle ist.
6. **Bluetooth-LED:** Diese LED leuchtet, wenn der Bluetooth-Modus aktiviert ist.
7. **Cinch-Buchse:** Schließen Sie hier externe Lautsprecher an (nicht im Lieferumfang enthalten).
8. **AUX-Eingangsbuchse:** Schließen Sie hier externe Audiowiedergabegeräte wie beispielsweise MP3-Player, Mobiltelefone usw. an, um deren Audio über dieses Gerät wiedergeben zu lassen.
9. **Netzadapterbuchse:** Schließen Sie hier den Netzadapter an.
10. **FM-Antenne:** Für den FM-Radiosignalempfang

Schallplattenwiedergabe

Vergewissern Sie sich vor der Benutzung, dass:

Die Schutzkappe von der Tonnadel entfernt ist. Setzen Sie die Schutzkappe wieder auf die Tonnadel, wenn Sie sie nicht benutzen.

Vergewissern Sie sich, dass der Tonarm in der Tonarmhalterung entriegelt ist, damit er sich frei bewegen kann. Fixieren Sie den Tonarm wieder in der Tonarmhalterung, wenn Sie ihn nicht benutzen.

1. Stellen Sie den **Mode**-Wahlschalter auf **Phono** und klappen Sie die Staubschutzhaube nach oben.
2. Legen Sie eine Schallplatte mittig auf den Plattenteller mit Antirutschmatte, indem Sie sie auf die Plattentellerspindel stecken.
3. Stellen Sie den **Speed**-Wahlschalter je nach Schallplattentyp auf 33, 45 oder 78 U/min.
4. Heben Sie den Tonarm mit Hilfe des Tonarmhebels aus der Tonarmhalterung und bewegen Sie ihn langsam über die Schallplatte.

Der Plattenteller beginnt sich jetzt zu drehen.

5. Positionieren Sie den Tonarm an der gewünschten Stelle über der Schallplatte.
6. Senken Sie den Tonarm vorsichtig in Richtung Schallplatte ab, woraufhin die Wiedergabe der Schallplatte beginnt.
7. Wenn die Wiedergabe der Schallplatte beendet ist, dann stoppt der Tonarm automatisch. Heben Sie den Tonarm von der Schallplatte und führen Sie ihn anschließend zurück zur Tonarmauflage.

8. Wenn Sie die Schallplatte manuell stoppen möchten, dann heben Sie den Tonarm von der Schallplatte und führen Sie ihn anschließend zurück zur Tonarmauflage.

Hinweis: Stoppen oder drehen Sie den Plattenteller nicht manuell. Das Bewegen oder Rütteln des Plattenspielers kann zu Beschädigungen des Tonarms führen, wenn der Tonarm nicht durch die Tonarmarretierung gesichert wurde.

Automatikstoppschalterbedienung

Bei bestimmten Schallplattentypen befindet sich der Bereich für das automatische Stoppen außerhalb der voreingestellten Automatikstoppgrenze des Plattenspielers, weswegen der Plattenspieler u. U. anhält, bevor der letzte Titel vollständig wiedergegeben wurde. Stellen Sie in diesen Fall den **Autostop**-Schalter auf die **Off**-Stellung. Dadurch kann die Schallplatte bis zu Ende wiedergegeben werden, allerdings stoppt sie dann dort nicht automatisch. Sie müssen den Tonarm manuell anheben, zurück zur Tonarmhalterung führen und anschließend den Plattenspieler ausschalten, damit die Drehung des Plattentellers beendet wird.

AUX-EINGANGSMODUS

1. Stellen Sie den **Mode**-Wahlschalter auf **Aux In**.
2. Schließen Sie ein Stereoaudiokabel (nicht im Lieferumfang enthalten) an der **Aux In**-Buchse des Plattenspielers und der Line-Ausgangsbuchse oder der Kopfhörerbuchse Ihres externen Audiowiedergabegeräts an, um die Audiowiedergabe dieses Geräts über die eingebauten Lautsprecher des Plattenspielers wiedergeben zu lassen.
3. Stellen Sie den gewünschten Lautstärkepegel ein.

Hinweis: Wenn Sie für die Verbindung den LINE-Ausgang Ihres externen Audiowiedergabegeräts benutzen, dann brauchen Sie den Lautstärkepegel nur am Plattenspieler einzustellen. Wenn Sie für die Verbindung den Kopfhörerausgang Ihres externen Audiowiedergabegeräts benutzen, dann müssen Sie den Lautstärkepegel sowohl an Ihrem externen Audiowiedergabegerät als auch an Ihrem TT-41 einstellen, um die gewünschte Lautstärke zu erreichen.

RADIOMODUS

1. Stellen Sie den **Mode**-Wahlschalter auf **FM**.
2. Wählen Sie durch Drehen des **Tuning**-Drehknopfes den gewünschten Radiosender aus.
3. Stellen Sie den gewünschten Lautstärkepegel ein.
4. Wenn Sie kein Radio mehr hören möchten, dann stellen Sie den **Mode**-Wahlschalter auf **Phono**, um das Radio auszuschalten.

Hinweis: Der Empfänger besitzt eine eingebaute FM-Antenne, die auf der Rückseite des Geräts herunterhängt. Dieser Draht sollte für besten Empfang vollständig ausgerollt und gerade sein.

BLUETOOTH-MODUS

1. Stellen Sie den **Mode**-Wahlschalter auf **BT**. Die Betriebszustandsanzeige-LED blinkt jetzt BLAU.
2. Aktivieren Sie das Bluetooth Ihres externen Geräts. Warten Sie einen Moment und suchen Sie dann nach dem Gerät mit dem Kopplungsnamen „TT-41“.
3. Wählen Sie zum Herstellen der Verbindung den Bluetooth-Kopplungsnamen aus. Nach aufgebauter Verbindung leuchtet die LED konstant BLAU.
4. Ihr Gerät ist nun über Bluetooth mit Ihrem externen Gerät verbunden.
5. Es ist empfehlenswert, dass Sie an Ihrem Bluetooth-Gerät (**Smartphone oder Tablet**) den **maximalen Lautstärkepegel** und die gewünschte Wiedergabelautstärke mit Hilfe des Lautstärkereglers Ihres Plattenspielers einstellen.

ANSCHLIESSEN IHRES TT-41 AN EXTERNE AKTIVLAUTSPRECHER ODER EINE EXTERNE HIFI-ANLAGE

Schließen Sie ein externes Lautsprechersystem über ein Cinchkabel (nicht im Lieferumfang enthalten) an den Cinch-Ausgängen an, um die Schallplattenwiedergabe über Ihr Lautsprechersystem genießen zu können.

ERSETZEN DER TONNADEL

Folgen Sie für das Ersetzen der Tonnadel der nachfolgenden Anleitung.

Entfernen der Tonnadel aus dem Tonkopf

1. Setzen Sie einen Schraubendreher an der Spitze der Tonnadel an. Drücken Sie dann wie in der Abbildung gezeigt nach unten in Richtung „A“.
2. Nehmen Sie danach die Tonnadel ab, indem Sie sie nach vorn ziehen und dabei nach unten drücken.

Einsetzen der Tonnadel

1. Halten Sie die Tonnadel an der Spitze fest und setzen Sie sie dann ein, indem Sie sie wie abgebildet in Richtung „B“ drücken.
2. Drücken Sie nun die Tonnadel solange nach oben in Richtung „C“, bis sie in der für sie vorgesehenen Position einrastet.



HINWEISE

Wir empfehlen Ihnen, Ihre Schallplatten mit einem antistatischen Tuch zu reinigen, um ein maximales Musikerlebnis von den Schallplatten zu erhalten.

Wir möchten Sie aus selben Grund darauf hinweisen, Ihre Tonnadel regelmäßig (ungefähr alle 250 Wiedergabestunden) zu wechseln.

TIPPS FÜR BESSERE PLATTERSPIELERLEISTUNG

1. Seien Sie behutsam, wenn Sie die Staubschutzabdeckung des Plattenspielers öffnen oder schließen. Fassen Sie sie entweder in der Mitte oder an jeder Seite an.
2. Berühren Sie nicht die Tonnadelspitze mit den Fingern. Vermeiden Sie weiterhin das Aufsetzen der Tonnadel auf dem Plattenteller oder dem Schallplattenrand.
3. Reinigen Sie regelmäßig die Tonnadelspitze mit einem weichen Pinsel, den Sie dabei nur von hinten nach vorn bewegen.
4. Wenn es nötig ist, eine Tonnadelreinigungslösung zu verwenden, dann verwenden Sie diese sehr sparsam.
5. Wischen Sie das Gehäuse des Plattenspielers behutsam mit einem weichen Lappen ab. Verwenden Sie für die Reinigung des Plattenspielers nur eine minimale Menge eines milden Reinigungsmittels.
6. Verwenden Sie auf keinen Fall für irgendeines der Plattenspieler Teile scharfe Chemikalien oder Lösungsmittel.

TECHNISCHE DATEN

Netzadapter. Ausgang 12 V DC/1 A
Eingang: 100 – 240 V~, 50/60 Hz, max. 0,3 A

Bluetooth: V5.0
Bluetooth-Kopplungsname: TT-41
AUX-Eingang: 3,5 mm
AUX-Ausgang: Cinch-Ausführung
FM-Frequenzbereich 87,5 – 108 MHz
Bluetooth-Frequenz 2402 – 2480 MHz
Betriebstemperatur: 0 °C – 40 °C
Lagertemperatur: -20 °C – 70 °C

Aufgrund ständiger Weiterentwicklung kann es zu stillschweigenden Änderungen der Funktionen und des Designs kommen

Netzadapter (nur für EU)

Benutzen Sie nur die in der Bedienungsanleitung angegebene Stromversorgung

Information	Wert und Genauigkeit
Name des Herstellers oder der Handelsmarke, kommerzielle Zulassung und Anschrift	SHENZHEN SHI GUANGKAIYUAN TECHNOLOGY,LTD. 2 floor, 41 TianSheng Road, TianLiao village, GongMing Street, Guangming, Shenzhen, Guangdong, P.R.China
Modellidentifikator	GKYZA0100120EU
Eingangsspannung	100 – 240 V
Wechselstromfrequenz des AC-Eingangs	50/60 Hz
Ausgangsspannung	12 V
Ausgangsstrom	1A
Ausgangsleistung	12 W
Durchschnittliche Effizienz bei Normallast	84,84 %
Leistungsaufnahme bei Nulllast	0,042 W

Garantie

Lenco bietet Leistungen und Garantien im Einklang mit Europäischem Recht. Setzen Sie sich deshalb im Falle von Reparaturen (sowohl während als auch nach Ablauf der Garantiezeit) mit Ihrem Fachhändler in Verbindung.

Wichtiger Hinweis: Es ist nicht möglich, Produkte für Reparaturen direkt an Lenco zu schicken.

Wichtiger Hinweis: Wenn dieses Gerät für welchen Grund auch immer durch ein nicht offizielles Servicezentrum geöffnet wurde oder durch dieses Servicezentrum darauf zugegriffen wurde, erlischt die Garantie.

Dieses Gerät ist nicht für professionelle Zwecke geeignet. Falls das Gerät für professionelle Zwecke eingesetzt wird, erlöschen alle Garantieverpflichtungen seitens des Herstellers.

Haftungsausschluss

Aktualisierungen der Firmware und/oder Hardware-Komponenten werden regelmäßig durchgeführt. Aus diesem Grund können einige der Anleitungen, Spezifikationen und Abbildungen in dieser Dokumentation zu dem Ihnen vorliegenden Gerät leicht abweichen. Alle in diesem Handbuch beschriebenen Elemente dienen nur zur Illustration und treffen auf Ihre individuelle Situation möglicherweise nicht zu. Aus der in diesem Handbuch getätigten Beschreibung können keine Rechtsansprüche oder Leistungsanforderungen geltend gemacht werden.

Entsorgung des Altgeräts



Dieses Symbol zeigt an, dass das entsprechende Produkt oder dessen Akku/Batterie in Europa nicht mit dem normalen Hausmüll entsorgt werden darf. Um die ordnungsgemäße Abfallbehandlung des Produkts und dessen Akku/Batterie zu gewährleisten, müssen diese im Einklang mit allen anwendbaren örtlichen Vorschriften zur Entsorgung von Elektrogeräten und Akkus/Batterien entsorgt werden. Dabei helfen Sie, natürliche Ressourcen zu schonen und Umweltschutzstandards zur Verwertung und Entsorgung von Altgeräten aufrecht zu halten (Richtlinie über Entsorgung Elektrischer und Elektronischer Altgeräte).

CE-Kennzeichen



Hiermit erklärt Lenco Benelux B.V., Thermiekstraat 1a, 6361 HB Nuth, The Netherlands, dass dieses Produkt den grundsätzlichen Anforderungen der EU-Richtlinie entspricht.

Die Konformitätserklärung kann unter folgendem Link abgerufen werden:

techdoc@commaxxgroup.com

Service

Besuchen Sie bitte für weitere Informationen und unseren Kundendienst unsere Homepage

www.lenco.com

Lenco Benelux BV, Thermiekstraat 1a, 6361 HB Nuth, The Netherlands.

ATTENTION :

L'utilisation de commandes ou de réglages ou l'exécution de procédures autres que ceux spécifiés dans ce manuel peut entraîner une exposition à des rayonnements dangereux.

PRÉCAUTIONS AVANT UTILISATION

GARDEZ CES INSTRUCTIONS À L'ESPRIT :

1. Ne couvrez pas et n'obtenez pas les ouvertures de ventilation. Lorsque vous placez l'appareil sur une étagère, laissez 5 cm (2") d'espace libre tout autour de l'appareil.
2. Réalisez l'installation conformément au mode d'emploi fourni.
3. Gardez l'appareil à l'écart des sources de chaleur telles que radiateurs, appareils de chauffage, fours, bougies et autres produits générant de la chaleur ou une flamme nue. L'appareil ne peut être utilisé que dans des climats modérés. Les environnements extrêmement froids ou chauds doivent être évités. Température de fonctionnement entre 0 et 35 °C.
4. Évitez d'utiliser l'appareil à proximité de champs magnétiques puissants.
5. Des décharges électrostatiques peuvent perturber le fonctionnement normal de cet appareil. Dans ce cas, il suffit de réinitialiser et de redémarrer l'appareil en suivant le mode d'emploi. Pendant le transfert de fichiers, manipulez l'appareil avec précaution et faites-le fonctionner dans un environnement privé d'électricité statique.
6. Avertissement ! N'introduisez jamais d'objets dans l'appareil par les ouvertures et les fentes de ventilation. Étant donné que des tensions élevées sont présentes à l'intérieur du produit, l'insertion d'objets peut entraîner une électrocution ou court-circuiter les composants internes. Pour les mêmes raisons, ne versez pas de l'eau ou un liquide sur le produit.
7. Ne l'utilisez pas dans des endroits humides tels qu'une salle de bain, une cuisine pleine de vapeur ou à proximité d'une piscine.
8. L'appareil ne doit pas être exposé à des écoulements ou des éclaboussures et aucun objet contenant un liquide, tel qu'un vase, ne doit être posé sur ou près de l'appareil.
9. N'utilisez pas cet appareil lorsque de la condensation est possible. Lorsque vous utilisez l'appareil dans une pièce chaude et humide, des gouttelettes d'eau ou de la condensation peuvent se former à l'intérieur de l'appareil. Dans ce cas, l'appareil peut ne pas fonctionner correctement. Pour éviter tout risque, laissez l'appareil hors tension pendant 1 ou 2 heures avant de le mettre en marche : l'appareil doit être totalement sec avant de le mettre en marche.
10. Bien que ce dispositif soit fabriqué avec le plus grand soin et contrôlé à plusieurs reprises avant de quitter l'usine, il est toujours possible que des problèmes se produisent, comme avec tous les appareils électriques. Si l'appareil émet de la fumée ou en cas d'accumulation excessive de la chaleur ou d'un phénomène inattendu, débranchez immédiatement la fiche d'alimentation du secteur.
11. Cet appareil doit fonctionner avec la source d'alimentation indiquée sur la plaque signalétique. Si vous n'êtes pas sûr du type d'alimentation utilisé chez vous, contactez votre revendeur ou le fournisseur local d'électricité.
12. Tenez l'appareil à l'abri des animaux. Certains animaux adorent mordre les cordons d'alimentation.
13. Pour nettoyer l'appareil, servez-vous d'un chiffon doux et sec. N'utilisez pas de solvant ni d'autre liquide à base de pétrole. Pour enlever les taches importantes, vous pouvez vous servir d'un chiffon humide imbibé d'une solution de détergent diluée.
14. Le fournisseur n'est pas responsable des dommages ou pertes de données causés par un dysfonctionnement, une utilisation abusive, une modification de l'appareil ou un remplacement de la batterie.
15. N'interrompez pas la connexion lorsque l'appareil formate ou transfère des fichiers. Dans le cas contraire, les données pourraient être endommagées ou perdues.
16. Si l'appareil dispose d'une fonction de lecture USB, il faut brancher la clé USB directement sur l'appareil. N'utilisez pas un câble d'extension USB, car cela peut causer des interférences entraînant des pertes de données.

17. La plaque signalétique se situe en dessous ou à l'arrière de l'appareil.
18. Cet appareil ne doit pas être utilisé par des personnes (enfants compris) souffrant de handicaps physiques, sensoriels ou mentaux, ou manquant d'expérience et de connaissances, sauf si elles sont sous surveillance ou ont reçu des instructions sur l'utilisation correcte de l'appareil par la personne qui est responsable de leur sécurité.
19. Ce produit est conçu pour un usage non professionnel, et non commercial ou industriel.
20. Vérifiez que l'appareil est en position stable. La garantie ne couvre pas les dégâts occasionnés par l'utilisation de cet appareil en position instable, par les vibrations, les chocs ou par la non-observation de tout autre avertissement ou précaution contenus dans ce mode d'emploi.
21. N'ouvrez jamais cet appareil.
22. Ne placez jamais cet appareil sur un autre appareil électrique.
23. Ne laissez pas les sacs en plastique à la portée des enfants.
24. Utilisez uniquement les accessoires recommandés par le fabricant.
25. Confiez l'entretien et les réparations à un personnel qualifié. Une réparation est nécessaire lorsque l'appareil a été endommagé de quelque façon que ce soit, par exemple lorsque le cordon d'alimentation ou la prise sont endommagés, lorsqu'un liquide a été renversé ou des objets ont été introduits dans l'appareil, lorsque l'appareil a été exposé à la pluie ou à l'humidité, lorsqu'il ne fonctionne pas correctement ou lorsque l'appareil est tombé.
26. Une exposition prolongée à la musique avec un volume élevé peut entraîner une perte auditive temporaire ou permanente.
27. Si l'appareil est livré avec un câble d'alimentation ou un adaptateur secteur :
 - En cas de problème, débranchez le cordon d'alimentation secteur et confiez l'entretien à du personnel qualifié.
 - Ne marchez pas sur l'adaptateur secteur ni le coincez. Faites très attention, en particulier près des fiches et du point de sortie du câble. Ne placez pas d'objets lourds sur l'adaptateur secteur, car vous risquez de l'endommager. Gardez l'appareil hors de portée des enfants ! Ils pourraient se blesser gravement s'ils jouent avec le câble d'alimentation.
 - Débranchez cet appareil pendant les orages ou lorsqu'il n'est pas utilisé pendant une longue durée.
 - La prise secteur doit être installée près de l'appareil et doit être facilement accessible.
 - Ne surchargez pas les prises de courant ni les rallonges. Une surcharge peut entraîner un incendie ou une électrocution.
 - Les appareils de classe 1 doivent être branchés à une prise de courant disposant d'une connexion protectrice à la terre.
 - Les appareils de classe 2 ne nécessitent pas de connexion à la terre.
 - Tirez toujours sur la fiche pour débrancher le cordon de la prise secteur. Ne tirez pas sur le cordon d'alimentation. Cela pourrait provoquer un court-circuit.
 - N'utilisez pas un cordon ou une fiche d'alimentation endommagés ni une prise desserrée. Vous courez un risque d'incendie ou de décharge électrique.
28. Si le produit contient ou est livré avec une télécommande contenant des piles boutons :

Avertissement :

 - « N'ingérez pas la pile, car vous risquez une brûlure chimique » ou une formule équivalente.
 - [La télécommande fournie avec] Ce produit contient une pile bouton. Si la pile est avalée, elle peut causer de graves brûlures internes en seulement 2 heures et peut entraîner la mort.
 - Tenez les piles neuves et usagées hors de portée des enfants.
 - Si le compartiment à piles ne se ferme pas correctement, cessez d'utiliser l'appareil et tenez-le hors de portée des enfants.
 - Si vous pensez que les piles ont été avalées ou placées à l'intérieur d'une partie du corps, consultez un médecin immédiatement.
29. Mise en garde relative à l'utilisation des piles :

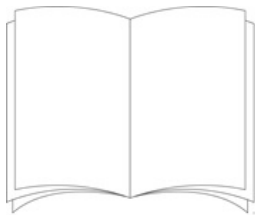
- Risque d'explosion si la pile est mal remplacée. Remplacez les piles par des piles d'un type identique ou équivalent.
- Pendant l'utilisation, le stockage ou le transport, la pile ne doit pas être soumise à des températures extrêmement élevées ou basses, à une faible pression d'air à haute altitude.
- Le remplacement d'une pile par une autre de type incorrect peut entraîner une explosion ou une fuite de liquide ou de gaz inflammable.
- L'introduction d'une pile dans le feu ou dans un four chaud, l'écrasement ou le découpage mécanique peut entraîner une explosion.
- L'exposition d'une pile dans un environnement à température extrêmement élevée peut entraîner une explosion ou une fuite de liquide ou de gaz inflammable.
- L'exposition d'une pile à une pression d'air extrêmement basse peut entraîner une explosion ou une fuite de liquide ou de gaz inflammable.
- Veuillez considérer les questions environnementales lors de la mise au rebut des piles.

INSTALLATION

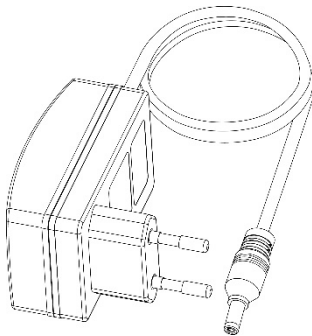
- Déballez toutes les pièces et enlevez le matériau de protection.

Accessoires fournis :

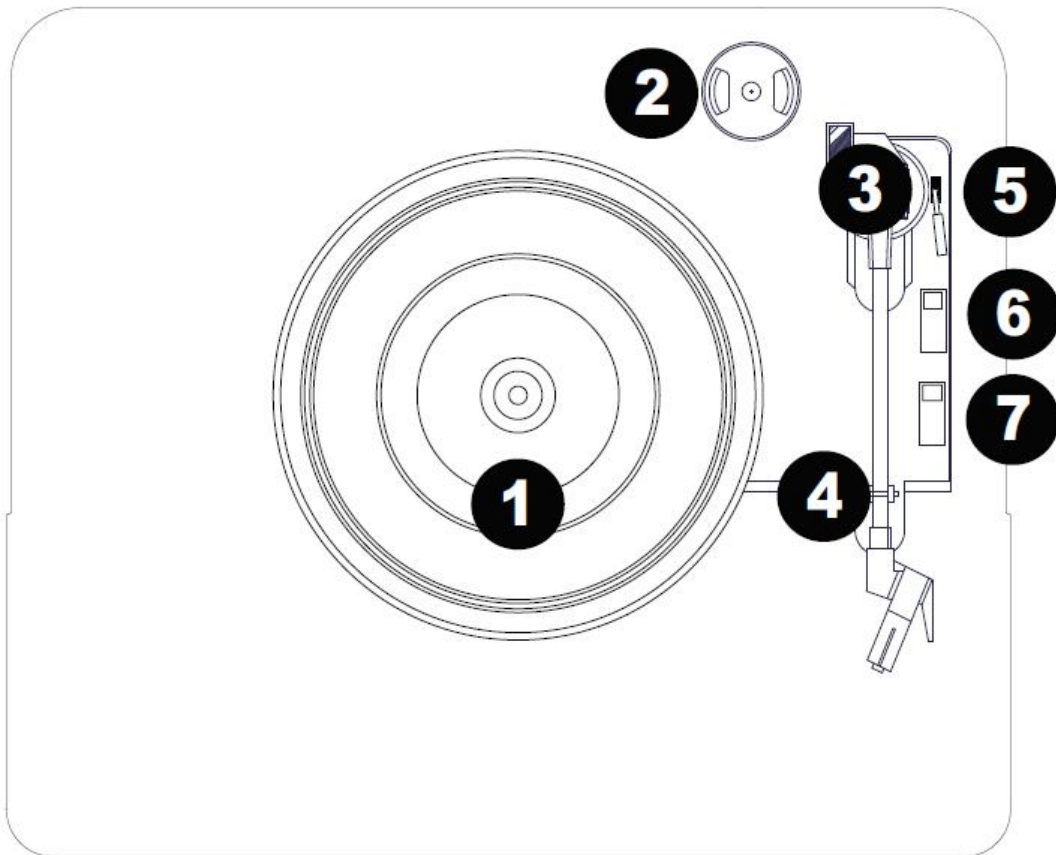
Mode d'emploi



Adaptateur de puissance



Emplacement des boutons

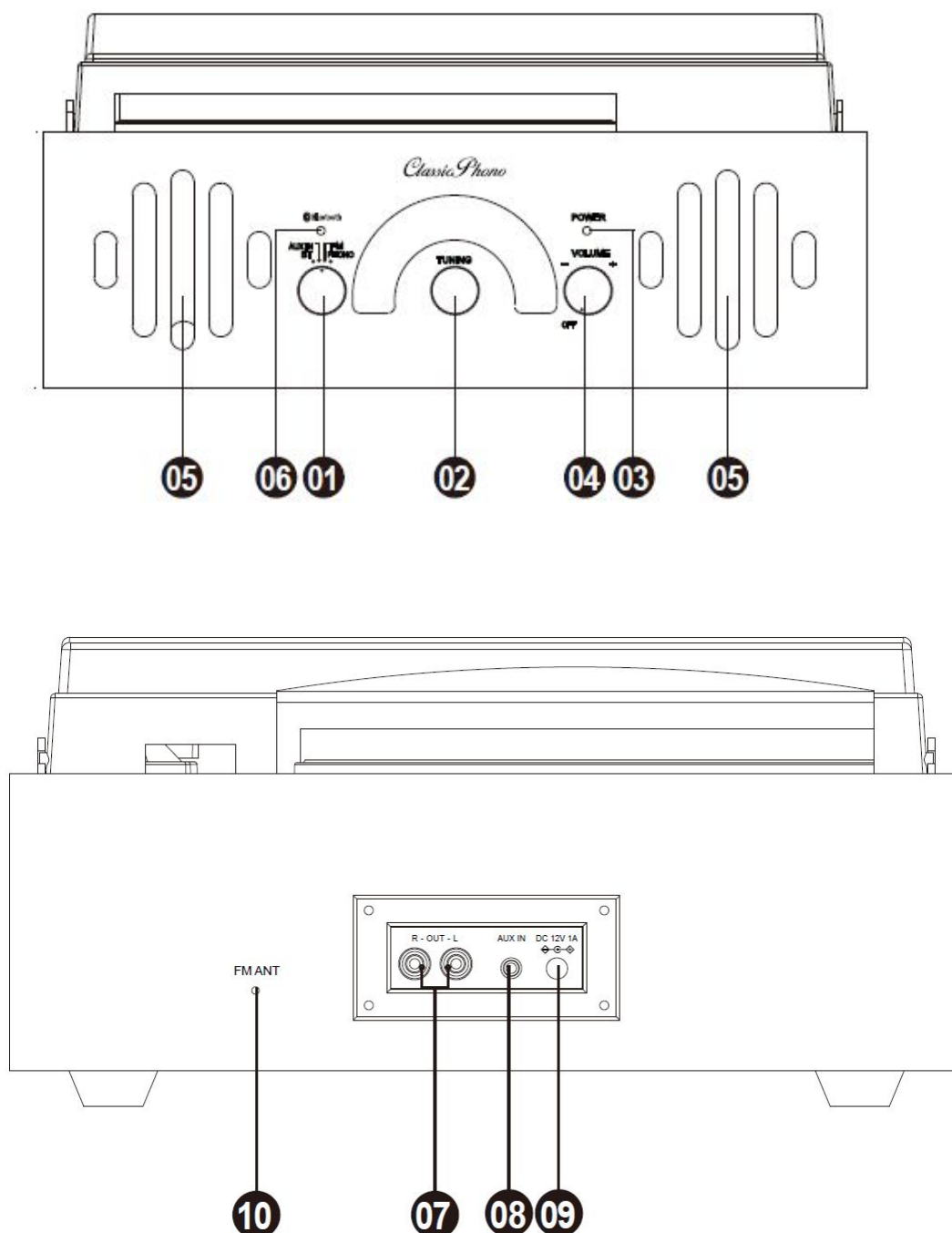


1. **Plateau** : Placez votre disque ici.
2. **Support d'adaptateur de 45 TR** : contient l'adaptateur de 45 TR inclus. Lorsque vous n'utilisez pas l'adaptateur, veuillez le placer dans ce support.
3. **Bras de lecture** : Le bras de lecture fixe peut être levé et abaissé à la main, ou en déplaçant le levier de levage/d'abaissement.
4. **Clip de bras** : ce clip de bras spécialement conçu permet de fixer le bras au repos ou lorsqu'il n'est pas utilisé. Le clip de bras a été conçu pour rester en position haute lorsqu'il est déverrouillé.
5. **Lever de levage/d'abaissement** : soulève et abaisse l'avant-bras.
6. **Commutateur d'arrêt automatique** : cet interrupteur active ou désactive l'arrêt automatique. Lorsque l'arrêt automatique est activé, le plateau commence à tourner lorsque le bras est placé sur le disque et arrête de tourner à la fin du disque. Lorsque l'arrêt automatique est désactivé, le plateau n'arrête pas de tourner quelle que soit la position du bras.

Remarque : si votre disque vinyle s'arrête avant d'avoir fini de lire la musique, désactivez l'arrêt automatique pour ce disque particulier. Ceci est généralement recommandé pour les 45 tours.

7. **Sélecteur 33/45/78 tr/min** : Ce sélecteur contrôle la vitesse du plateau du tourne-disque.

Remarque : pour de meilleurs résultats lors de la lecture de disques vinyle de 78 tours, utilisez un stylet pour 78 tours (vendu séparément). Utilisez uniquement un stylet pour 78 tours avec les disques vinyle de 78 tours.



1. **Mode** : tournez cette molette pour sélectionner la source à utiliser : BT, FM, Phono ou Aux In.

2. **Sélecteur de fréquence radio (syntonisation)** : tournez cette molette pour sélectionner la fréquence de la station radio FM.
3. **Voyant d'alimentation** : ce voyant s'allume lorsque le tourne-disque est allumé.
4. **Marche/Arrêt et Volume** : permet d'allumer/éteindre et règle le niveau sonore des haut-parleurs internes.
5. **Haut-parleurs** : 2 haut-parleurs stéréo si la source est stéréo.
6. **Voyant Bluetooth** : ce voyant s'allume lorsque le mode Bluetooth est activé.
7. **Prise RCA** : permet de connecter à un haut-parleur externe (non fourni)
8. **Prise AUX IN** : permet de connecter un appareil audio externe, par exemple MP3, téléphone portable, etc. pour écouter de la musique à l'aide de cet appareil
9. **Prise d'adaptateur** : permet de brancher l'adaptateur d'alimentation
10. **Antenne FM** : réception de signaux radio FM

Lecture du tourne-disque

Avant toute utilisation, veuillez vous assurer de :

Retirez le protecteur de la tête de lecture. Remettez le capuchon de protection sur la pointe de lecture (même si celle-ci n'est pas utilisée).

Assurez-vous que le bras de lecture est libre de quitter le repose-bras. Verrouillez à nouveau le bras de lecture lorsqu'il n'est pas utilisé.

1. Réglez le sélecteur de **mode** sur **Phono** et soulevez le couvercle anti-poussière du tourne-disque.
2. Placez un disque sur le tourne-disque, sur l'axe central du disque de feutrine.
3. Réglez le sélecteur de vitesse sur 33, 45 ou 78 tours en fonction du disque.
4. Soulevez le bras de lecture du repose-bras en utilisant le levier de levage et déplacez-le lentement sur le disque.

Le plateau du tourne-disque commencera à tourner.

5. Placez le bras de lecture à l'emplacement souhaité du disque.
6. Abaissez doucement le bras de lecture sur le disque pour commencer à l'écouter.
7. Lorsque le disque arrive à sa fin, le bras de lecture s'arrête automatiquement. Levez le bras de lecture du disque et remettez-le à sa position de repos.
8. Pour arrêter manuellement le disque, soulevez le bras de lecture du disque et remettez-le à sa position de repos.

Remarque : N'arrêtez pas ou ne tournez pas la platine manuellement. Déplacer ou secouer la platine sans fixer la pince du bras de lecture peut endommager ce dernier.

Fonctionnement du commutateur d'arrêt automatique

Certains types de disques peuvent comporter une zone d'arrêt automatique en dehors de la limite prédéfinie, de sorte que le tourne-disque peut s'arrêter avant la fin du dernier

morceau. Si cela se produit, positionnez le commutateur d'**arrêt automatique** sur la position **Arrêt**. Cela vous permet d'écouter le disque jusqu'à la fin, mais il ne s'arrêtera pas automatiquement. Vous devez soulever manuellement le bras de lecture et le remettre à sa position de repos, avant de couper l'alimentation pour arrêter la rotation du tourne-disque.

MODE ENTRÉE AUXILIAIRE

1. Réglez le sélecteur de **mode** sur **Aux In**.
2. Connectez le câble audio stéréo (non inclus) de la prise **Aux In** à la sortie ligne ou à la sortie casque de votre appareil audio externe pour pouvoir écouter la source externe à travers les haut-parleurs internes.
3. Réglez le volume à votre convenance.

Remarque : Si la sortie ligne de votre appareil externe est connectée, il vous suffit de régler la commande de volume de ce système. Si la sortie casque de votre appareil externe est connectée, vous devrez peut-être régler le contrôle du volume sur votre appareil externe et le TT-41 pour obtenir le volume souhaité.

MODE RADIO

1. Réglez le sélecteur de **mode** sur la position **FM**.
2. Sélectionnez la station radio souhaitée en tournant le bouton **Tuning**.
3. Réglez le volume à votre convenance.
4. Lorsque vous avez terminé d'écouter la radio, réglez le sélecteur de **mode** sur la position **Phono** pour éteindre la radio.

Remarque : Le récepteur dispose d'une antenne FM accrochée au boîtier arrière. Ce fil doit être totalement déroulé et déployé pour une meilleure réception.

MODE BLUETOOTH

1. Réglez le sélecteur de **mode** sur la position **BT**. Le voyant d'alimentation commence à clignoter en bleu.
2. Activez le réglage Bluetooth de votre appareil externe. Patientez quelques instants, puis recherchez le nom d'appairage Bluetooth « TT-41 »
3. Sélectionnez le nom d'appariement Bluetooth pour connecter l'appareil. Une fois la connexion établie, le voyant bleu cesse de clignoter.
4. Vous êtes maintenant connecté à votre appareil externe par Bluetooth.
5. Le mieux est de régler le niveau de **volume** sur votre appareil Bluetooth (**smartphone ou tablette**) au **maximum** et de régler le volume d'écoute souhaité avec le bouton de volume du tourne-disque.

BRANCHEZ LE TT-41 AUX HAUT-PARLEURS ACTIFS EXTERNES OU À LA CHAÎNE HI-FI EXTERNE

Branchez le câble RCA (non fourni) à la prise de sortie RCA et à l'enceinte acoustique externe pour lire des disques vinyle sur votre enceinte acoustique.

COMMENT CHANGER LA TÊTE DE LECTURE

Pour changer la tête de lecture, consultez les instructions ci-dessous.

Démontage de la tête de lecture hors de la cartouche

1. Placez un tournevis sur la pointe de la tête de lecture et poussez vers le bas comme indiqué dans le sens « A ».
2. Enlevez la tête de lecture en la tirant vers l'avant et en poussant vers le bas.

Installation de la tête de lecture

1. Tenez la pointe de la tête de lecture et insérez la tête de lecture en appuyant comme indiqué dans le sens « B ».
2. Poussez la tête de lecture vers le haut comme indiqué dans le sens « C » jusqu'à ce que la tête de lecture se bloque dans la position de la pointe.



Tiges de guidage (internes)

REMARQUE

Nous vous conseillons de nettoyer vos disques avec un tissu anti-statique afin de les apprécier au mieux.

Remarque : pour la même raison, votre tête de lecture doit être changée périodiquement (environ toutes les 250 heures de lecture).

CONSEILS POUR UNE MEILLEURE PERFORMANCE DE TOURNE-DISQUE

1. En ouvrant ou en fermant le couvercle du tourne-disque, manipulez-le délicatement, en le tenant soit au centre soit de chaque côté.
2. Ne touchez pas la pointe de la tête de lecture avec vos doigts, évitez de cogner la tête de lecture contre le plateau du tourne-disque ou le bord du disque.

Informations	Valeur et précision
Nom ou marque du fabricant, enregistrement commercial et adresse	SHENZHEN SHI GUANGKAIYUAN TECHNOLOGY,LTD. 2 floor, 41 TianSheng Road, TianLiao village, GongMing Street, Guangming, Shenzhen, Guangdong, P.R.Chine
Référence du modèle	GKYZA0100120EU
Tension d'entrée	100-240 V
Fréquence d'entrée CA	50/60 Hz
Tension de sortie	12 V
Courant de sortie	1 A
Puissance de sortie	12 W
Rendement moyen en mode actif	84,84 %
Consommation électrique sans charge	0,042 W

Garantie

Lenco propose un service et une garantie conformément à la législation européenne, ce qui signifie qu'en cas de besoin de réparation (aussi bien pendant et après la période de garantie), vous pouvez contacter votre revendeur le plus proche.

Remarque importante : il n'est pas possible de renvoyer l'appareil pour réparation directement à Lenco.

Remarque importante : si l'appareil est ouvert ou modifié de quelque manière que ce soit par un réparateur non agréé, la garantie sera caduque.

Cet appareil ne convient pas à une utilisation professionnelle. En cas d'utilisation professionnelle, les obligations de garantie du fabricant seront annulées.

Clause de non-responsabilité

Des mises à jour du logiciel ou des composants informatiques sont régulièrement effectuées. Il se peut donc que certaines instructions, caractéristiques et images présentes dans ce document diffèrent légèrement de votre configuration spécifique. Tous les articles décrits dans ce guide sont fournis uniquement à des fins d'illustration et peuvent ne pas s'appliquer à une configuration spécifique. Aucun droit légal ne peut être obtenu depuis les informations contenues dans ce manuel.

Mise au rebut de l'appareil usagé



Ce symbole indique que le produit électrique concerné ainsi que les piles ne doivent pas être jetés avec les autres déchets ménagers en Europe. Pour garantir un traitement correct des piles et de l'appareil usagés, veuillez les mettre au rebut conformément aux réglementations locales en vigueur relatives aux appareils électriques et autres piles. En agissant de la sorte, vous contribuerez à la préservation des ressources naturelles et à l'amélioration des niveaux de protection environnementale concernant le traitement et la destruction des déchets électriques (directive sur les déchets des équipements électriques et électroniques).

Marquage CE



Par la présente, Lenco Benelux B.V., Thermiekstraat 1a, 6361 HB Nuth, Pays-Bas, déclare que ce produit est conforme aux exigences principales des directives européennes.

La déclaration de conformité peut être consultée à l'adresse techdoc@commaxxgroup.com

Service après-vente

Pour en savoir plus et obtenir de l'assistance, visitez www.lenco.com

Lenco Benelux BV, Thermiekstraat 1a, 6361 HB, Nuth, Pays-Bas.

PRECAUCIÓN:

El uso de controles o ajustes distintos, o llevar a cabo procedimientos distintos a aquéllos aquí especificados puede tener como consecuencia una exposición peligrosa a la radiación.

PRECAUCIONES PREVIAS AL USO

TENGA ESTAS INSTRUCCIONES EN MENTE:

1. No cubra o bloquee ninguna apertura de ventilación. Cuando coloque el dispositivo en una estantería, deje 5 cm (2") de espacio libre alrededor de todo el dispositivo.
2. Instálelo conforme al manual de usuario que se adjunta.
3. Mantenga el aparato alejado de fuentes de calor, como radiadores, calentadores, estufas, velas u otros productos que generen calor o llama viva. El aparato solo puede usarse en climas moderados. Se deben evitar los ambientes extremadamente fríos o cálidos. Temperatura de funcionamiento entre 0 ° y 35 °C.
4. Evite usar el dispositivo cerca de campos magnéticos fuertes.
5. Una descarga electrostática puede entorpecer el uso normal de este dispositivo. En tal caso, simplemente reinicielo siguiendo el manual de instrucciones. Durante la transmisión de archivos, por favor manéjelo con cuidado opérelolo en un entorno libre de electricidad estática.
6. ¡Advertencia! Nunca inserte un objeto en el producto a través de las ventilaciones o aperturas. Alto voltaje fluye a través del producto e insertar un objeto puede provocar una descarga eléctrica y/o un cortocircuito de sus componentes internos. Por el mismo motivo, no derrame agua o líquidos en el producto.
7. No lo utilice en zonas húmedas, como cuartos de baño, cocinas en las que se forme vapor ni cerca de piscinas.
8. El aparato no debe exponerse a goteos o salpicaduras y asegúrese de que se colocan sobre o cerca del aparato objetos llenos de líquidos, como jarrones.
9. No use este dispositivo cuando se pueda producir condensación. Cuando utilice la unidad en una habitación húmeda y cálida con humedad, pueden generarse gotas de agua o condensación dentro de la unidad y es posible que no funcione correctamente; apague la unidad durante 1 o 2 horas antes de encenderla de nuevo: el aparato debe estar seco antes de conectarse a una fuente de alimentación.
10. Aunque este dispositivo está fabricado con el máximo cuidado y comprobado varias veces antes de salir de fábrica, todavía es posible que se puedan producir problemas, al igual que con todos los aparatos eléctricos. Si observa la aparición de humo, una acumulación excesiva de calor o cualquier otro fenómeno inesperado, deberá desconectar inmediatamente el enchufe de la toma de corriente.
11. Este dispositivo debe funcionar con una fuente de alimentación que se especifica en la etiqueta de especificaciones. Si no está seguro del tipo de alimentación que se usa en su hogar, consulte con el distribuidor o una compañía eléctrica local.
12. Manténgalo alejado de los animales. A algunos animales les gusta morder los cables de alimentación.
13. Para limpiar el dispositivo use un paño seco y suave. No utilice líquidos disolventes ni con base de petróleo. Para eliminar manchas difíciles, puede usar un paño húmedo con detergente diluido.
14. El proveedor no asume ninguna responsabilidad por daños o datos perdidos provocados por un funcionamiento incorrecto, uso incorrecto, modificación del dispositivo o sustitución de la batería.
15. No interrumpa la conexión cuando el dispositivo esté formateando o transfiriendo archivos. En caso contrario, los datos se pueden estropear o perder.
16. Si la unidad dispone de función de reproducción USB, se debe conectar la memoria USB directamente en la unidad. No utilice cables de extensión USB ya que pueden crear interferencias que causen una pérdida de datos.
17. La etiqueta de calificación aparece marcada en el panel inferior o posterior del dispositivo.

18. Este aparato no está diseñado para su uso por personas (incluyendo niños) con discapacidades físicas, sensoriales o mentales o con falta de experiencia o conocimientos, salvo que estén bajo la supervisión o hayan recibido formación sobre el uso correcto del dispositivo por parte de una persona responsable de su seguridad.
19. Este producto está diseñado para un uso no profesional únicamente y no para un uso comercial o industrial.
20. Asegúrese de que la unidad esté fijada en una posición estable. La garantía no cubrirá los daños derivados de usar este producto en una posición inestable, vibraciones o golpes o por no seguir otras advertencias o precauciones que aparecen en este manual de usuario.
21. Nunca retire la carcasa del dispositivo.
22. Nunca coloque este dispositivo sobre otro equipo eléctrico.
23. Mantenga las bolsas de plástico fuera del alcance de los niños.
24. Use únicamente los dispositivos/accesorios especificados por el fabricante.
25. Remita todas las reparaciones al personal cualificado. Es necesario el mantenimiento cuando el dispositivo presenta daños en cualesquiera manera, como el cable de alimentación o el enchufe, cuando se haya vertido líquido o se hayan caído objetos en el dispositivo, cuando el dispositivo se haya expuesto a la lluvia o humedad, cuando no funcione normalmente o cuando se haya caído.
26. Una larga exposición a sonidos elevados de reproductores de música personales puede provocar una pérdida de audición temporal o permanente.
27. Si el producto viene con un cable de alimentación o un adaptador de corriente de CA:
 - Si se produce cualquier problema, desconecte el cable de alimentación CA y remítase al mantenimiento de personal cualificado.
 - No pise o pince el adaptador de alimentación. Tenga mucho cuidado, en especial cerca de las tomas y el punto de salida del cable. No coloque objetos pesados en el adaptador de alimentación, ya que pueden dañarlo. ¡Mantenga el dispositivo fuera del alcance de los niños! Si juegan con el cable de alimentación, puede sufrir lesiones graves.
 - Desconecte el dispositivo durante tormentas eléctricas o cuando no vaya a usarse durante periodos prolongados de tiempo.
 - La salida de la toma debe instalarse cerca del equipo y debe ser fácilmente accesible.
 - No sobrecargue las tomas CA o los cables de extensión. La sobrecarga puede provocar un incendio o una descarga eléctrica.
 - Los dispositivos con construcción de Clase 1 deben estar conectados a una toma de corriente con una conexión a tierra protegida.
 - Los dispositivos con construcción Clase 2 no requieren una conexión a tierra.
 - Sujete siempre el enchufe cuando los extraiga de la toma de corriente. No tire del cable de alimentación. Esto puede provocar un cortocircuito.
 - No utilice un cable de alimentación o enchufe deteriorado o una toma suelta. Si lo hace, podría provocar un incendio o una descarga eléctrica.
28. Si el producto contiene o se entrega con un mando a distancia que contiene pilas de botón / celdas:

Advertencia:

 - “Ni ingiera la pila, riesgo de quemadura química” o frase equivalente.
 - [El mando a distancia que se suministra] Este producto contiene una pila de tipo botón/moneda. Si la pila se traga, puede provocar graves quemaduras internas en sólo 2 horas y podría ocasionar la muerte.
 - Mantenga las pilas nuevas o usadas fuera del alcance de los niños.
 - Si el compartimento de las pilas no se cierra correctamente, deje de usar el producto y no lo deje al alcance los niños.
 - Si tiene la sospecha de que una pila ha sido ingerida o se encuentra en algún lugar del cuerpo, busque inmediatamente atención médica.
29. Precaución sobre el uso de las pilas:
 - Existe riesgo de explosión si la pila no se sustituye correctamente. Sustitúyala únicamente con otra del mismo tipo u otro equivalente.

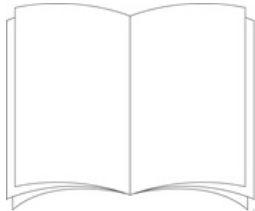
- No se pueden exponer las pilas a temperaturas extremadamente altas o bajas, baja presión de aire a gran altitud durante el uso, almacenamiento o transporte.
- Si cambia las pilas por otras que no son las correctas, se puede producir una explosión o la fuga de líquidos o gases inflamables.
- Si arroja las pilas al fuego o a un horno caliente, o aplasta o corta mecánicamente una pila, podría provocar una explosión.
- Si deja las pilas en un lugar con temperaturas extremadamente altas, se puede producir una explosión o una fuga de líquido o gas inflamable.
- Si se exponen las pilas a una presión de aire extremadamente baja, se puede producir una explosión o la fuga de líquidos o gases inflamables.
- Se debe prestar atención a los aspectos medioambientales sobre la eliminación de baterías.

INSTALACIÓN

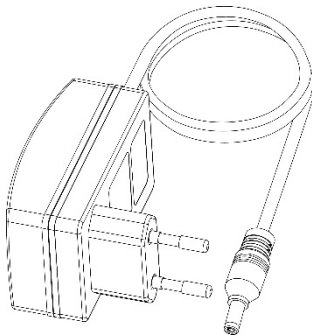
- Desembale todas las piezas y retire el material protector.

Accesorios incluidos:

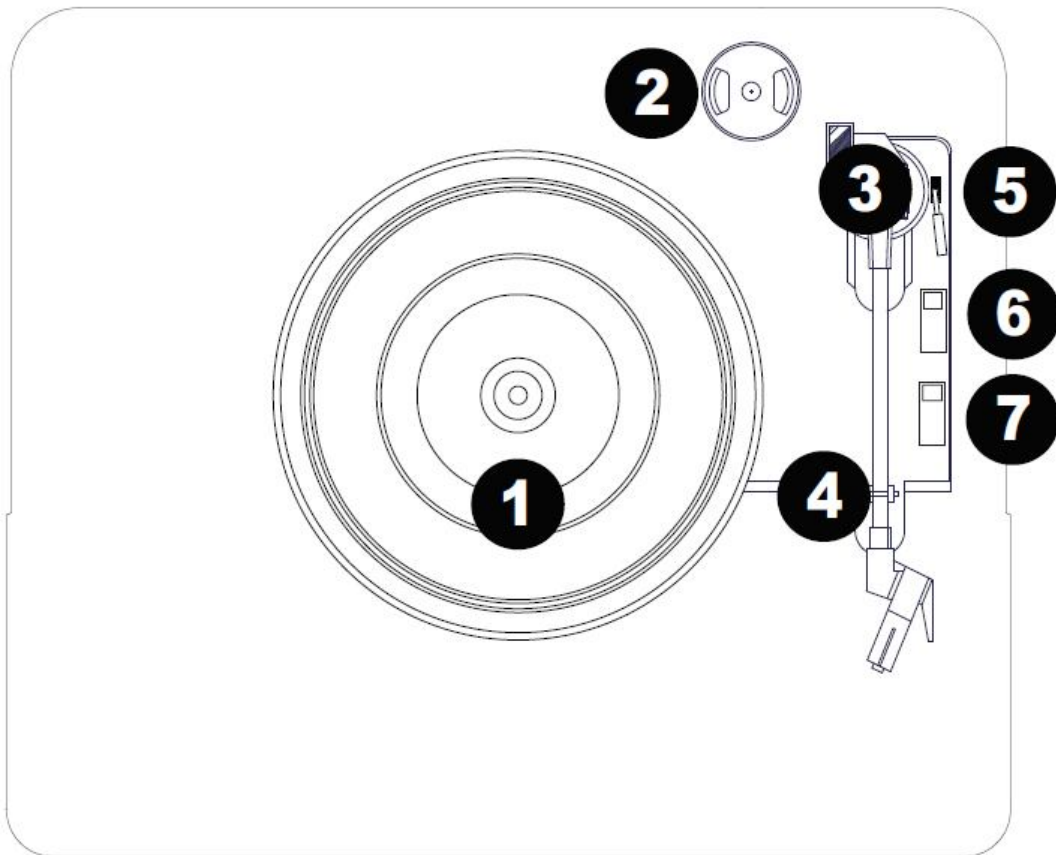
Manual del usuario



Adaptador de corriente



Ubicación de los controles

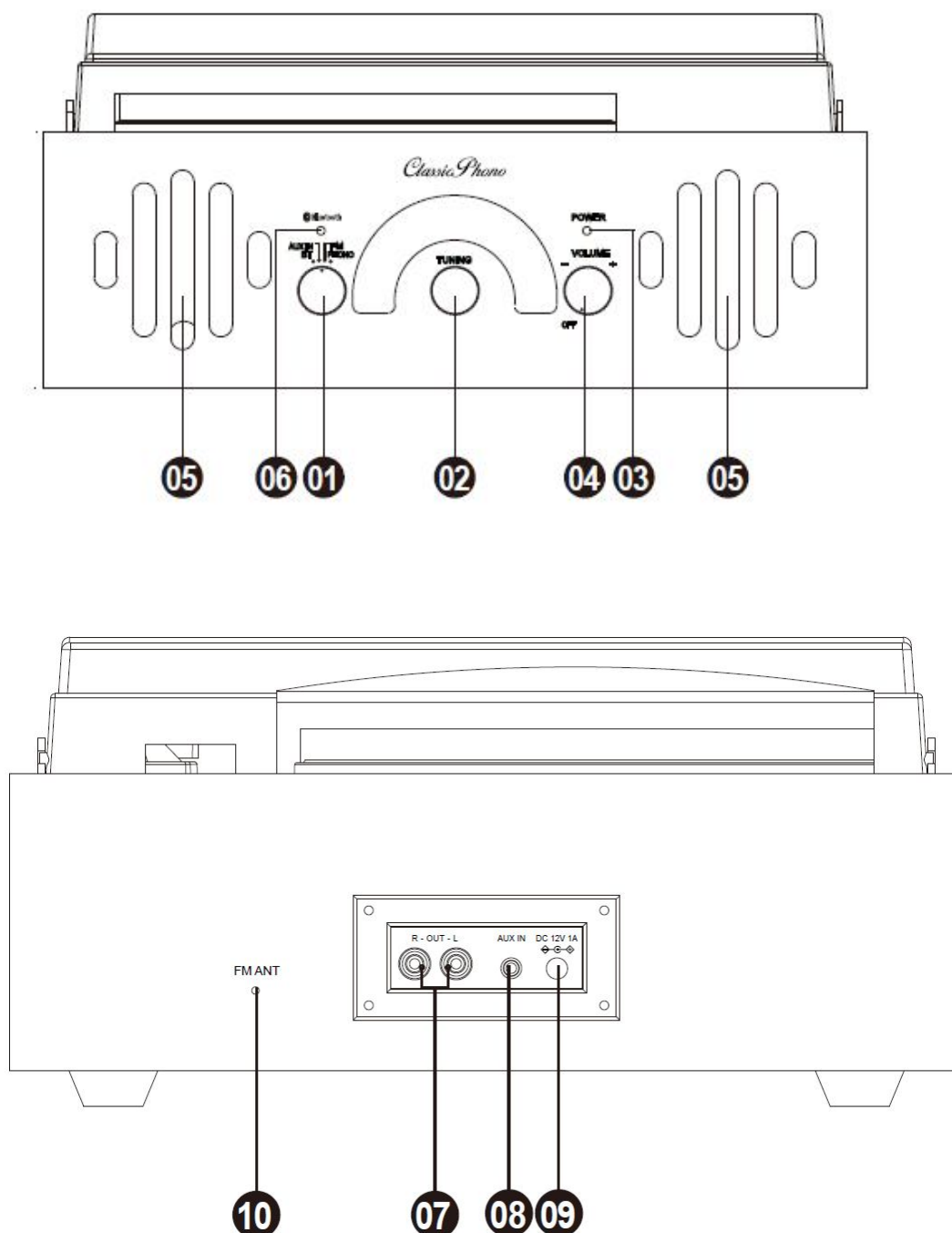


1. **Plato:** Coloque el disco aquí.
2. **Soporte para el adaptador de 45 RPM:** Sujeta el adaptador de 45 RPM que se incluye. Cuando no use el adaptador, colóquelo en este soporte.
3. **Brazo:** El brazo fijo puede subirse o bajarse a mano o moviendo la palanca de subida / bajada.
4. **Sujeción del brazo:** Esta sujeción de brazo especialmente diseñada asegura el brazo mientras está en descanso y no se usa. La sujeción del brazo se ha diseñado para permanecer en posición elevada mientras está sin bloquear.
5. **Palanca de subida / bajada:** sube y baja el brazo.
6. **Interruptor de parada automática:** este interruptor conecta o desconecta la parada automática. Cuando la parada automática está conectada, el plato empezará a girar cuando el brazo se coloque sobre el disco y dejará de girar cuando el disco haya llegado al final. Cuando la parada automática está desconectada, el plato girará siempre independientemente de la posición del brazo.

Nota: Si el disco de vinilo se detiene antes de que alcance el final de la música, gire la parada automática a la posición off para este disco en particular. Esto se recomienda generalmente para discos de 45 RPM.

7. **Interruptor de 33 / 45 / 78 RPM:** Este interruptor controla la velocidad del plato del tocadiscos.

Nota: Para obtener los mejores resultados cuando reproduzca discos de vinilo de 78 RPM, use una aguja de 78 RPM (se vende por separado). Use solo una aguja de 78 RPM con discos de vinilo de 78 RPM.



1. **Modo:** Gire este dial para seleccionar qué fuente usar: BT, FM, Phono, o entrada auxiliar.
2. **Selector de frecuencia de radio (sintonización):** Gire este dial para seleccionar la frecuencia de la emisora de radio FM.

3. **LED de alimentación:** Este LED se ilumina cuando se conecta la alimentación.
4. **Encendido / apagado y volumen:** Encendido / Apagado y ajusta en nivel de sonido para los altavoces externos.
5. **Altavoces:** 2 altavoces estéreo si la fuente es estéreo.
6. **LED de Bluetooth:** Este LED se ilumina cuando se enciende el modo Bluetooth.
7. **Toma RCA:** Se conecta a un altavoz externo (no incluido)
8. **Toma de ENTRADA AUXILIAR:** Se conecta a un dispositivo de audio externo, por ejemplo, MP3, teléfono móvil, etc., para escuchar música en esta unidad
9. **Toma del adaptador:** Conecta el adaptador de alimentación
10. **Antena FM:** Recepción de señal de radio FM

Reproducción del tocadiscos

Antes de usarlo asegúrese de que:

Retire el protector de la aguja. Vuelve a conectar la tapa protectora de la aguja cuando no la use.

Asegúrese de que el brazo está libre para moverse el soporte del brazo. Vuelva a bloquear el brazo en su lugar cuando no se use.

1. Fije el selector de **Modo** en **Phono** y levante la cubierta antipolvo del tocadiscos.
2. Coloque un disco en el tocadiscos, en el eje central sobre la alfombrilla antideslizante.
3. Fije el selector de **velocidad** en 33, 45, o 78 RPM dependiendo del disco.
4. Levante el brazo del soporte del mismo usando la palanca de subida y muévalo lentamente sobre el disco.

El plato del tocadiscos empezará a girar.

5. Coloque el brazo en la ubicación que desee del disco.
6. Baje suavemente el brazo sobre el disco para empezar la reproducción.
7. Cuando el disco termine de reproducirse, el brazo se detiene automáticamente. Levante el brazo del disco y vuelva a colocarlo en el soporte.
8. Para detener manualmente el disco, levante el brazo del disco y devuélvalo al soporte.

Nota: No detenga o gire el plato manualmente. Mover o agitar el tocadiscos sin asegurar la sujeción del brazo puede provocar daños en el brazo.

Funcionamiento del interruptor de parada automática

Ciertos tipos de discos pueden disponer de un área de parada automática fuera del límite predeterminado, de forma que el tocadiscos puede detenerse antes de que finalice la última pista. Si esto se produce, fije el interruptor de **Parada automática** en la posición **Off**. Esto permite que el disco se reproduzca hasta el final, pero no se detendrá automáticamente. Debe levantar manualmente el brazo y volverlos a colocar en el soporte y después apagar la alimentación para que el tocadiscos deje de girar.

MODO DE ENTRADA AUXILIAR

1. Fije el selector de **Modo** en **Entrada Auxiliar**.
2. Conecte el cable de audio estéreo (no incluido) de la toma de **Entrada auxiliar** a la salida de línea o salida del auricular del dispositivo de audio externo para poder escuchar la fuente externa a través de los altavoces internos.
3. Ajuste el volumen al nivel que desee.

Nota: Si la salida de línea del dispositivo externo está conectada, solo es necesario ajustar el control de volumen del sistema. Si la salida del auricular del dispositivo externo está conectada, puede que sea necesario ajustar el control de volumen tanto del dispositivo externo como del TT-41 para conseguir el volumen que desee.

MODO RADIO

1. Fije el selector de **Modo** en la posición **FM**.
2. Seleccione la emisora de radio que desee girando el dial de **sintonización**.
3. Ajuste el volumen al nivel que desee.
4. Cuando haya terminado de escuchar la radio, fije el selector de **Modo** en la posición **Phono** para apagar la radio.

Nota: El receptor dispone de una antena FM integrada que cuelga en la parte posterior del receptáculo. Este cable debe desenrollarse completamente y extenderse para obtener una mejor recepción.

MODO BLUETOOTH

1. Fije el selector de **Modo** en posición **BT**. El indicador de luz LED de alimentación empezará a parpadear de color AZUL.
2. Conecte la configuración Bluetooth de su dispositivo externo. Espere un momento y después busque el nombre de emparejamiento Bluetooth "TT-41".
3. Seleccione el nombre de emparejamiento Bluetooth para conectar la unidad. Una vez conectado, el LED AZUL dejará de parpadear.
4. Ahora está conectado a su dispositivo externo vía Bluetooth.
5. Lo mejor es poner el nivel de **volumen** en el dispositivo Bluetooth (**smartphone o tablet**) al **máximo** y ajustar el volumen de audición que desee con el interruptor de control de volumen del tocadiscos.

CONECTE EL TT-41 A ALTAVOCES ACTIVOS EXTERNOS O A UN CONUNTO HIFI EXTERNO.

Conecte la salida RCA al sistema de altavoces externo con un cable RCA (no incluido) para disfrutar de la música de sus discos de vinilo con su sistema de altavoces.

CÓMO SUSTITUIR LA AGUJA

Consulte las instrucciones siguientes para sustituir la aguja.

Retirar la aguja del cartucho

1. Sitúe un destornillador en el extremo de la aguja y apriete hacia abajo como se muestra en dirección "A".
2. Retire la aguja tirando de ella hacia delante y empujando hacia atrás.

Instalar la aguja.

1. Sujete el extremo de la aguja e insértela apretando como se muestra en dirección "B".
2. Empuje la aguja hacia arriba en dirección "C" hasta que el extremo quede bloqueado.



NOTA

Le aconsejamos limpiar los discos con un paño antiestático para sacarle el máximo provecho. Señalamos también que por el mismo motivo la aguja debería cambiarse periódicamente (aproximadamente cada 250 horas de reproducción)

CONSEJOS PARA UN MEJOR FUNCIONAMIENTO DEL TOCADISCOS

1. Cuando abra o cierre la cubierta del tocadiscos, manéjela con suavidad, agarrándola del centro o de cada lado.
2. No toque la punta de la aguja con los dedos. Evite golpear la aguja contra el plato del tocadiscos o el borde del disco.
3. Limpie periódicamente la punta de la aguja con un cepillo suave y haciendo solo movimientos de atrás hacia delante.
4. Si necesita usar líquido para limpiar la aguja, utilice muy poca cantidad.
5. Limpie suavemente con un paño el espacio del tocadiscos. Utilice una pequeña cantidad de detergente suave para limpiar el tocadiscos.
6. Nunca utilice productos químicos ni disolventes agresivos en ninguna pieza del sistema tocadiscos.

ESPECIFICACIONES

Adaptador de corriente.	Salida CC 12V 1A Entrada CA 100-240V, 50/60Hz, 0.3A máximo
Bluetooth:	V5.0
Nombre de emparejamiento BT:	TT-41
Entrada auxiliar:	3.5mm
Salida auxiliar:	tipo RCA
Banda de frecuencia FM	87.5 – 108MHz
Frecuencia de Bluetooth	2402 - 2480MHz
Temperatura de funcionamiento:	0°C-40°C
Temperatura de almacenamiento:	-20°C-70°C

Debido a las continuas mejoras, las características y el diseño de la unidad están sujetos a cambios sin previo aviso

Adaptador de corriente (Sólo para la UE)

Utilice únicamente la fuente de alimentación indicada en las instrucciones de uso

Información	Valor y precisión
Nombre de los fabricantes o marcas registradas, registro comercial y dirección	SHENZHEN SHI GUANGKAIYUAN TECHNOLOGY.,LTD. 2ª planta, 41 TianSheng Road, TianLiao village, GongMing Street, Guangming, Shenzhen, Guangdong, P.R.China
Identificador del modelo	GKYZA0100120EU
Tensión de entrada	100-240V
Frecuencia CA de entrada	50/60HZ
Tensión de salida	12V
Corriente de salida	1A
Potencia de salida	12 W
Eficiencia activa media	84.84%

Garantía

Lenco ofrece servicio y garantía en cumplimiento con las leyes de la Unión Europea, lo cual implica que, en caso de que su producto precise ser reparado (tanto durante como después del periodo de garantía), deberá contactar directamente con su distribuidor.

Nota importante: No es posible enviar sus reparaciones directamente a Lenco.

Nota importante: Si la unidad es abierta por un centro de servicio no oficial, la garantía quedará anulada.

Este aparato no es adecuado para el uso profesional. En caso de darle un uso profesional, todas las obligaciones de garantía del fabricante quedarán anuladas.

Exención de responsabilidad

Regularmente se llevan a cabo actualizaciones en el Firmware y en los componentes del hardware. Por esta razón, algunas de las instrucciones, especificaciones e imágenes incluidas en este documento pueden diferir ligeramente respecto a su situación particular. Todos los elementos descritos en esta guía tienen un objetivo de mera ilustración, y pueden no ser de aplicación en su situación particular. No se puede obtener ningún derecho ni derecho legal a partir de la descripción hecha en este manual.

Eliminación del antiguo dispositivo



Este símbolo indica que no deberá deshacerse del producto eléctrico o batería en cuestión junto con los residuos domésticos, en el ámbito de la UE. Para garantizar un tratamiento residual correcto del producto y su batería, por favor, elimínelos cumpliendo con las leyes locales aplicables sobre requisitos para el desecho de equipos eléctricos y baterías. De hacerlo, ayudará a conservar recursos naturales y mejorar los estándares de protección medioambiental en el tratamiento y eliminación de residuos eléctricos (Directiva sobre la Eliminación de Equipos Eléctricos y Electrónicos).

Marca CE



Por la presente, Lenco Benelux B.V., Thermiekstraat 1a, 6361 HB Nuth, Países Bajos, declara que este producto cumple con las exigencias esenciales de las directivas de la UE.

Se puede consultar la declaración de conformidad a través de techdoc@commaxxgroup.com

Servicio

Para obtener más información y soporte del departamento técnico, por favor, visite la página web www.lenco.com

Lenco Benelux BV, Thermiekstraat 1a, 6361 HB, Nuth, Países Bajos.

ATTENZIONE:

L'utilizzo di controlli o regolazioni o l'esecuzione di procedure diverse da quelle specificate può causare l'esposizione a radiazioni pericolose.

PRECAUZIONI PRIMA DELL'USO

CONSERVARE QUESTE ISTRUZIONI:

1. Non coprire o bloccare le aperture di ventilazione. Quando si posiziona il dispositivo su uno scaffale, lasciare uno spazio libero di 5 cm (2") attorno all'intero perimetro.
2. Installare secondo quanto riportato nel manuale fornito.
3. Tenere il dispositivo lontano da sorgenti termiche come radiatori, termosifoni, stufe, candele e altri prodotti che generano calore o fiamme libere. Il dispositivo può essere utilizzato solo in climi moderati. Evitare ambienti estremamente freddi o caldi. Temperatura operativa compresa tra 0° e 35°C.
4. Evitare l'uso del dispositivo in presenza di forti campi magnetici.
5. Le scariche elettrostatiche possono interferire con il normale utilizzo di questo dispositivo. In tal caso, è sufficiente ripristinare e riavviare il dispositivo seguendo il manuale di istruzioni. Durante la trasmissione di file, maneggiarlo con cura e operare in un ambiente privo di elettricità statica.
6. Avviso! Non inserire mai oggetti nel prodotto attraverso le prese d'aria o le aperture. All'interno del prodotto sono presenti tensioni elevate e l'inserimento di un oggetto può provocare scariche elettriche e/o cortocircuiti. Per lo stesso motivo, non versare acqua o liquidi sul prodotto.
7. Non utilizzare in aree umide o bagnate come bagni, cucine con vapore o piscine.
8. Non esporre il dispositivo a schizzi o gocciolamenti di liquidi; non poggiare sopra o accanto al dispositivo oggetti contenenti liquidi, ad esempio vasi.
9. Non utilizzare questo dispositivo in caso di condensa. Quando l'unità viene utilizzata in una stanza calda e umida, all'interno dell'unità possono formarsi goccioline d'acqua o condensa e l'unità potrebbe non funzionare correttamente; lasciare l'unità spenta per 1 o 2 ore prima di accenderla: l'unità deve essere asciutta prima di essere alimentata.
10. Sebbene questo dispositivo sia fabbricato con la massima cura e controllato più volte prima di lasciare la fabbrica, è comunque possibile che si verifichino problemi come per qualsiasi altra apparecchiatura elettrica. Se si nota fumo, eccessivo accumulo di calore o altri fenomeni imprevisti, scollegare immediatamente la spina dalla presa di alimentazione principale.
11. Questo dispositivo deve funzionare con una fonte di alimentazione con i valori indicati sull'etichetta delle specifiche. Se non si è sicuri del tipo di alimentazione utilizzata in casa, consultare il rivenditore o la compagnia elettrica locale.
12. Tenere fuori dalla portata degli animali domestici, Ad alcuni animali piace mordere i cavi di alimentazione.
13. Per pulire il dispositivo, utilizzare un panno morbido e asciutto. Non usare solventi o liquidi a base di benzina. Per rimuovere le macchie persistenti, è possibile utilizzare un panno umido con detergente diluito.
14. Il fornitore non è responsabile per danni o perdita di dati causati da malfunzionamento, uso improprio, modifica del dispositivo o sostituzione della batteria.
15. Non interrompere la connessione quando il dispositivo sta formattando o trasferendo file. In caso contrario, i dati potrebbero essere danneggiati o andare persi.
16. Se l'unità dispone della funzione di riproduzione USB, la chiavetta USB deve essere collegata direttamente all'unità. Non utilizzare una prolunga USB perché può causare interferenze con conseguenti anomalie dati.
17. L'etichetta di classificazione è stata contrassegnata sul pannello inferiore o posteriore del dispositivo.
18. Questo dispositivo non è destinato all'uso da parte di persone (compresi i bambini) con disabilità fisiche, sensoriali o mentali, o mancanti di esperienza e conoscenza, a meno che non siano sotto supervisione o abbiano ricevuto istruzioni circa l'uso corretto del dispositivo da parte di chi è responsabile per la loro sicurezza.

19. Questo prodotto è destinato esclusivamente all'uso non professionale e non commerciale o industriale.
20. Assicurarsi che l'unità sia collocata in una posizione stabile. I danni causati dall'uso di questo prodotto in una posizione instabile, vibrazioni o urti o la mancata osservanza di qualsiasi altro avvertimento o precauzione indicati in questo manuale utente non saranno coperti da garanzia.
21. Non rimuovere mai la carcassa di questo dispositivo.
22. Non posizionare mai questo dispositivo su altre apparecchiature elettriche.
23. Non permettere ai bambini di accedere ai sacchetti di plastica.
24. Utilizzare solo collegamenti/accessori specificati dal produttore.
25. Rivolgersi a personale qualificato per l'assistenza. L'assistenza è necessaria quando il dispositivo è stato in qualche modo danneggiato, come il cavo di alimentazione o la spina, quando è stato versato del liquido o sono caduti oggetti nel dispositivo, quando il dispositivo è stato esposto a pioggia o umidità, non funziona normalmente o è stato abbandonato.
26. L'esposizione prolungata ai suoni ad alto volume dei lettori musicali può causare una perdita temporanea o permanente dell'udito.
27. Se il prodotto viene consegnato con cavo di alimentazione o adattatore di alimentazione CA:
 - In caso di problemi, scollegare il cavo di alimentazione CA e rivolgersi a personale qualificato per l'assistenza.
 - Non calpestare o schiacciare l'alimentatore. Fare molta attenzione, in particolare vicino alle prese e al punto di uscita del cavo. Non posizionare oggetti pesanti sull'alimentatore in quanto potrebbero danneggiarlo. Tenere il dispositivo fuori dalla portata dei bambini. Giocando con il cavo di alimentazione possono infortunarsi seriamente.
 - Scollegare il dispositivo durante i temporali o quando non viene utilizzato per un lungo periodo.
 - La presa di corrente deve essere installata vicino all'apparecchio e deve essere facilmente accessibile.
 - Non sovraccaricare le prese CA né le prolunghe. Il sovraccarico può causare incendi o scariche elettriche.
 - I dispositivi con struttura di classe 1 devono essere collegati a una presa di rete con connessione di messa a terra di protezione.
 - I dispositivi con struttura di classe 2 non richiedono un collegamento a terra.
 - Tenere sempre la spina quando la si estrae dalla presa di rete. Non tirare il cavo di alimentazione. Ciò può causare un cortocircuito.
 - Non utilizzare un cavo o una presa di alimentazione danneggiati o una presa non fissata. Tale azione potrebbe provocare incendi o scariche elettriche.
28. Se il prodotto contiene o viene consegnato con un telecomando contenente batterie a pulsante/a bottone:

Avvertenza:

 - "Non ingerire la batteria, pericolo di ustioni chimiche" o funzionamento equivalente.
 - (Il telecomando in dotazione con) Il presente prodotto contiene una pila a bottone. Se ingerita, la batteria può causare gravi ustioni interne in sole 2 ore e portare alla morte.
 - Tenere le batterie, nuove o usate, fuori dalla portata dei bambini.
 - Se il vano batteria non si chiude completamente, interrompere l'uso del dispositivo e tenerlo fuori della portata dei bambini.
 - Se si teme che delle batterie possano essere state inghiottite o essere venute a contatto con qualsiasi parte interna del corpo, contattare immediatamente un medico.
29. Precauzioni sull'uso delle batterie:
 - Pericolo di esplosione se la batteria viene sostituita in modo errato. Sostituire solo con lo stesso tipo o equivalente.

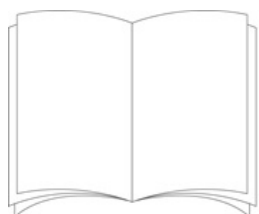
- Non sottoporre le batterie a temperature estreme alte o basse, bassa pressione dell'aria ad alta quota durante l'uso, lo stoccaggio o il trasporto.
- La sostituzione con una batteria di tipo errato può provocare un'esplosione o la perdita di liquidi o gas infiammabili.
- Lo smaltimento di una batteria nel fuoco o in un forno caldo o lo schiacciamento o il taglio meccanico di una batteria possono provocare un'esplosione.
- Lasciare una batteria in un ambiente circostante a temperatura estremamente elevata può provocare un'esplosione o una perdita di liquidi o gas infiammabili.
- Una batteria soggetta a una pressione dell'aria estremamente bassa può provocare un'esplosione o una perdita di liquidi o gas infiammabili.
- È necessario prestare attenzione agli aspetti ambientali legati allo smaltimento delle batterie.

INSTALLAZIONE

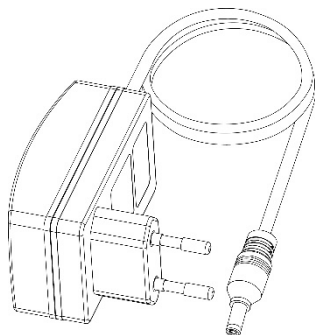
- Disimballare tutte le parti e rimuovere il materiale protettivo.

Accessori inclusi

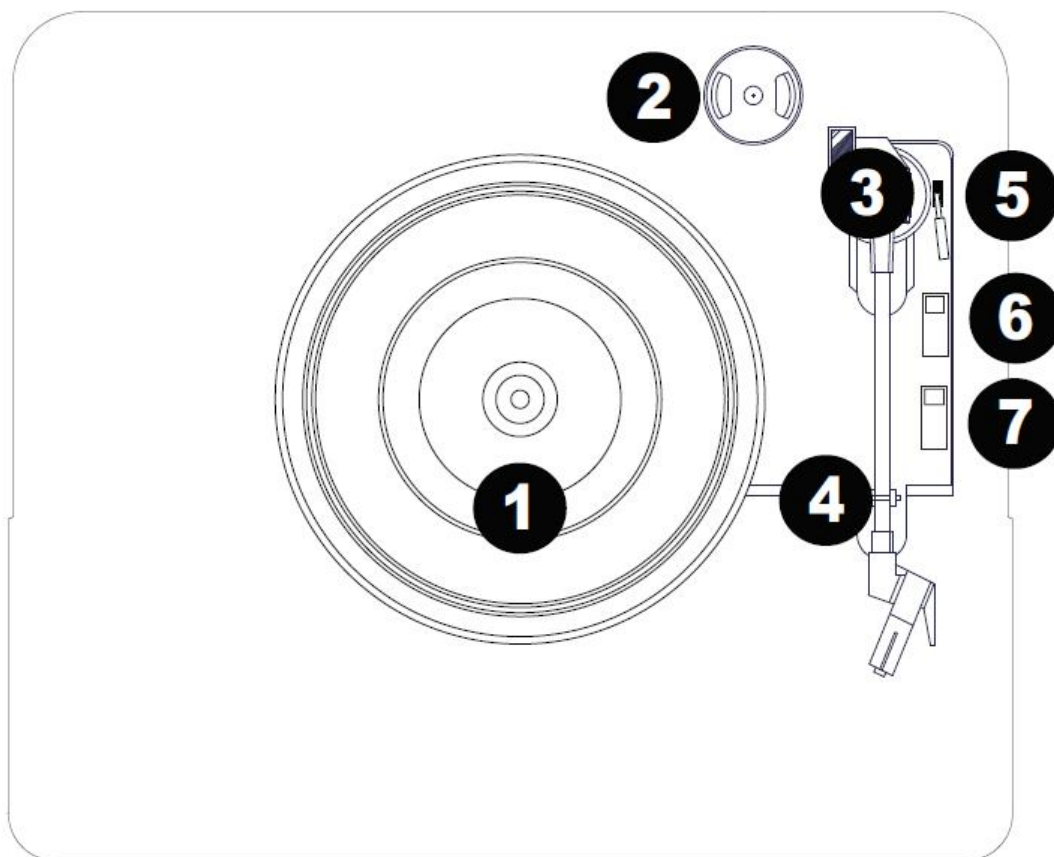
Manuale d'uso



Alimentatore



Pozione dei comandi

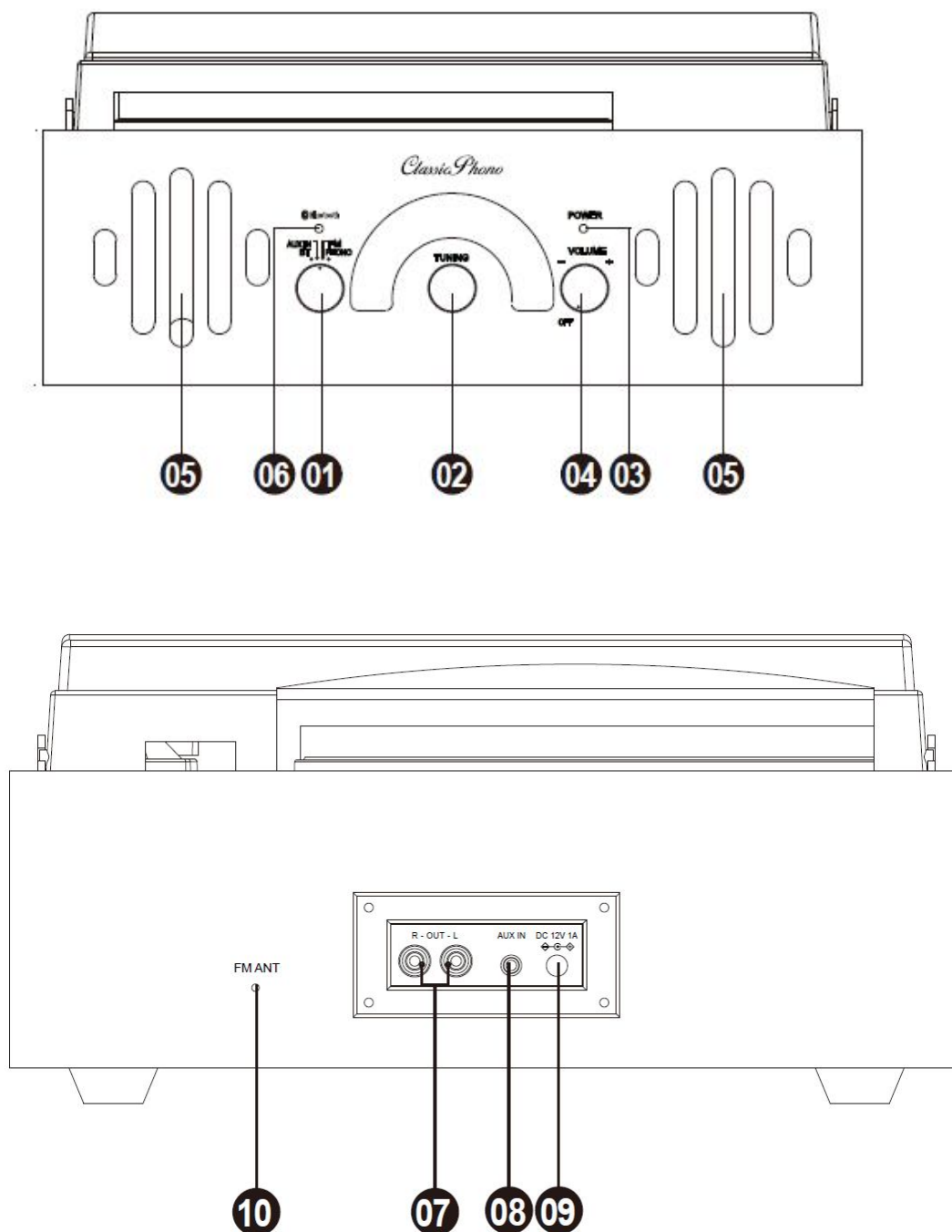


1. **Piatto:** Metti qui il tuo disco.
2. **Supporto adattatore 45 giri/min:** Contiene l'adattatore 45 giri/min incluso. Quando non si utilizza l'adattatore, posizionarlo in questo supporto.
3. **Braccio:** Il braccio fisso può essere alzato e abbassato manualmente o spostando la leva di sollevamento/abbassamento.
4. **Clip braccio:** Questa clip del braccio appositamente progettata fissa il braccio a riposo quando non è in uso. La clip del braccio è stata progettata per rimanere in posizione sollevata mentre è sbloccata.
5. **Leva di sollevamento / abbassamento:** Alza e abbassa il braccio.
6. **Interruttore arresto automatico:** Questo interruttore attiva o disattiva l'arresto automatico. Quando l'arresto automatico è attivo, il piatto inizierà a girare quando il braccio viene posizionato sul disco e smetterà di girare quando il disco avrà raggiunto la fine. Quando l'arresto automatico è disattivato, il piatto girerà sempre indipendentemente dalla posizione del braccio.

Nota: Se il disco in vinile si ferma prima di raggiungere la fine della musica, impostare l'arresto automatico in posizione off per questo particolare disco. Questo è generalmente consigliato per dischi 45 giri.

7. **Selettore 33 / 45 / 78 giri:** Questo interruttore controlla la velocità del piatto del giradischi.

Nota: Per ottenere i migliori risultati durante la riproduzione di dischi in vinile a 78 giri, utilizzare una puntina a 78 giri (venduta separatamente). Utilizzare solo una puntina da 78 giri con dischi in vinile da 78 giri.



1. **Modalità:** ruotare questa manopola per selezionare la sorgente da utilizzare: BT, FM, Phono o Aux In.

2. **Selettore di frequenza radio (sintonizzazione):** ruotare questa manopola per selezionare la frequenza della stazione radio FM.
3. **LED di alimentazione:** questo LED si illumina quando l'alimentazione è accesa.
4. **Accensione/Spengimento alimentazione e volume:** accende e spegne il dispositivo e regola il volume degli altoparlanti interni.
5. **Altoparlanti:** 2 altoparlanti stereo se la sorgente è stereo.
6. **LED Bluetooth:** la spia LED si illumina quando la modalità Bluetooth è attiva.
7. **Jack RCA:** Collegamento a un altoparlante esterno (non incluso)
8. **Jack AUX IN:** Collegamento a un dispositivo audio esterno, ad es. MP3, telefono cellulare ecc. per ascoltare la musica in questa unità
9. **Jack adattatore:** Collega l'adattatore di alimentazione
10. **Antenna FM:** Ricezione del segnale radio FM

Riproduzione giradischi

Prima dell'uso, assicurarsi di:

Rimuovere la protezione della puntina. Ricollegare il cappuccio protettivo sulla puntina quando non è in uso.

Assicurarsi che il braccio sia libero di muoversi dal supporto del braccio. Bloccare di nuovo il braccio in posizione quando non è in uso.

1. Impostare il selettore **Mode** su **Phono** e sollevare la copertura antipolvere del giradischi.
2. Posizionare un disco sul giradischi, sopra il perno centrale sul tappetino.
3. Impostare il selettore **Speed** su 33, 45 o 78 giri a seconda del disco.
4. Sollevare il braccio dal supporto del braccio utilizzando la leva di sollevamento e spostarlo lentamente sul disco.

Il piatto del giradischi inizierà a girare.

5. Posizionare il braccio nella posizione desiderata del disco.
6. Abbassare delicatamente il braccio sul disco per iniziare a suonare.
7. Al termine della riproduzione del disco, il braccio si fermerà automaticamente. Sollevare il braccio dal disco e rimetterlo sul supporto.
8. Per fermare manualmente il disco, sollevare il braccio dal disco e rimetterlo sul supporto.

Nota: Non fermare o girare manualmente il piatto. Spostare o urtare il giradischi senza fissare il morsetto del braccio potrebbe danneggiare il braccio.

Funzionamento dell'interruttore di arresto automatico

Alcuni tipi di disco possono avere un'area di arresto automatico al di fuori del limite preimpostato, quindi il giradischi potrebbe fermarsi prima che termini l'ultima traccia. Se ciò si verifica, impostare l'interruttore **Autostop** nella posizione **Off**. Ciò consente al disco di essere riprodotto fino alla fine, ma non si interromperà automaticamente. È necessario

sollevare manualmente il braccio e rimetterlo nel supporto, quindi spegnere l'alimentazione per interrompere la rotazione del giradischi.

MODALITÀ AUX IN

1. Impostare il selettore **Mode** su **Aux In**.
2. Collegare il cavo audio stereo (non incluso) dal jack **Aux In** all'uscita di linea o all'uscita delle cuffie del dispositivo audio esterno per poter ascoltare la sorgente esterna attraverso gli altoparlanti interni.
3. Regolare il volume al livello desiderato.

Nota: Se l'uscita di linea del dispositivo esterno è collegata, è sufficiente regolare il controllo del volume del sistema. Se è collegata l'uscita per le cuffie del dispositivo esterno, potrebbe essere necessario regolare il controllo del volume sia sul dispositivo esterno che sul TT-41 per ottenere il volume desiderato.

MODALITÀ RADIO

1. Impostare il selettore **Mode** sulla posizione **FM**.
2. Selezionare la stazione radio desiderata ruotando la manopola **Tuning**.
3. Regolare il volume al livello desiderato.
4. Al termine dell'ascolto della radio, impostare il selettore **Mode** sulla posizione **Phono** per spegnere la radio.

Nota: Il ricevitore ha un'antenna FM incorporata appesa al cabinet posteriore. Questo cavo dovrebbe essere completamente srotolato ed esteso per una migliore ricezione.

MODALITÀ BLUETOOTH

1. Impostare il selettore **Mode** sulla posizione **BT**. L'indicatore luminoso a LED di alimentazione inizierà a lampeggiare in BLU.
2. Attiva l'impostazione Bluetooth del tuo dispositivo esterno. Attendere un momento, quindi cercare il nome dell'accoppiamento Bluetooth "TT-41"
3. Selezionare il nome dell'accoppiamento Bluetooth per connettere l'unità. Una volta connesso, il led BLU smetterà di lampeggiare.
4. Ora sei connesso al tuo dispositivo esterno tramite Bluetooth
5. La cosa migliore è impostare il livello del **volume** sul dispositivo Bluetooth (**smartphone o tablet**) al **massimo** e regolare il volume di ascolto desiderato con l'interruttore di controllo del volume del giradischi.

CONNETTERE IL TT-41 AD ALTOPARLANTI ATTIVI ESTERNI O AL SET HIFI ESTERNO

Collegare il jack di uscita RCA al sistema di altoparlanti esterni con il cavo RCA (non fornito) per ascoltare la musica dei dischi in vinile sul sistema di altoparlanti.

COME SOSTITUIRE L'AGO

Per sostituire l'ago fare riferimento alle istruzioni di seguito.

Rimozione dell'ago dalla testina.

1. Posizionare un cacciavite sulla punta della puntina e spingere verso il basso come mostrato in direzione "A".
2. Rimuovere la puntina tirandola in avanti e spingendo verso il basso.

Installazione della puntina

1. Tenere la punta della puntina e inserire la puntina premendo come mostrato in direzione "B".
2. Spingere la puntina verso l'alto come nella direzione "C" finché la puntina non si blocca nella posizione della punta.



NOTE

Ti consigliamo di pulire i tuoi dischi con un panno antistatico per trarne il massimo divertimento.

Segnaliamo inoltre che, per lo stesso motivo, la puntina dovrebbe essere sostituita periodicamente (circa ogni 250 ore di riproduzione)

SUGGERIMENTI PER MIGLIORI PRESTAZIONI DEL GIRADISCHI

1. Quando si apre o si chiude il coperchio del piatto rotante, maneggiarlo delicatamente, afferrandolo al centro o su entrambi i lati.
2. Non toccare la punta dell'ago con le dita; evitare di sbattere l'ago contro il piatto del giradischi o il bordo del disco.
3. Pulire frequentemente la punta dell'ago e utilizzare una spazzola morbida solo con un movimento "da dietro a davanti".
4. Se devi usare un liquido per la pulizia degli aghi, usalo con molta parsimonia.
5. Pulire delicatamente l'alloggiamento del giradischi con un panno morbido. Utilizzare soltanto una piccola quantità di detergente delicato per pulire il giradischi.

6. Non applicare mai prodotti chimici o solventi aggressivi a nessuna parte del sistema del giradischi.

SPECIFICHE

Alimentatore.	Uscita CC 12V 1A Ingresso CA 100-240 V, 50/60 Hz, 0,3 A max.
Bluetooth:	V5.0
Nome accoppiamento BT:	TT-41
Aux in:	3,5 mm
Aux out:	Tipo RCA
Banda di frequenza FM	87,5 – 108MHz
Frequenza Bluetooth	2402 - 2480MHz
Temperatura operativa:	0°C-40°C
Temperatura di stoccaggio:	-20-70 °C

In virtù dei continui miglioramenti, le caratteristiche e il design sono soggetti a modifiche senza preavviso

Adattatore di alimentazione (solo per UE)

Utilizzare solo l'alimentazione indicata nel presente manuale.

Informazioni	Valore e precisione
Nome del produttore o marchio commerciale, registrazione commerciale e indirizzo	SHENZHEN SHI GUANGKAIYUAN TECHNOLOGY,LTD. 2 floor, 41 TianSheng Road, TianLiao village, GongMing Street, Guangming, Shenzhen, GuangDong, R.P.C.
Identificatore del modello	GKYZA0100120EU
Tensione in ingresso	100-240V
Frequenza in ingresso CA	50/60 Hz
Tensione in uscita	12V
Corrente in uscita	1 A
Potenza in uscita	12 W
Efficienza media attiva	84,84%
Nessun carico Consumo energetico	0,042W

Garanzia

Lenco offre assistenza e garanzia in conformità con la legge europea, il che significa che in caso di riparazioni (sia durante che dopo il periodo di garanzia) è necessario contattare il rivenditore locale.

Nota importante: Non è possibile inviare direttamente a Lenco i prodotti da riparare.

Nota importante: Qualora l'unità venga aperta o manomessa in qualsiasi modo da un centro di assistenza non riconosciuto, la garanzia decade.

Questo dispositivo non è adatto per l'uso professionale. Qualora l'unità venga utilizzata per scopi professionali, tutti gli obblighi del produttore derivanti dalla garanzia sono nulli.

Clausola di esclusione della responsabilità

Il firmware e/o i componenti hardware vengono aggiornati regolarmente. Pertanto, è possibile che alcune parti relative a istruzioni, specifiche e immagini contenute nella presente documentazione siano diverse da quanto riscontrato nel singolo caso. Tutte le descrizioni incluse in questa guida sono fornite a puro titolo illustrativo e non si applicano necessariamente alla specifica situazione. Nessun diritto legale o contrattuale può derivare dalle descrizioni contenute nel presente libretto di istruzioni.

Smaltimento a fine vita del dispositivo



Questo simbolo indica che in Europa è vietato gettare il relativo prodotto elettrico o batteria tra i rifiuti domestici. Per il corretto smaltimento a fine vita del prodotto e della batteria, attenersi alle vigenti normative locali per il trattamento dei rifiuti da apparecchiature elettriche ed elettroniche e delle batterie. In tal modo si contribuisce a salvaguardare le risorse naturali e a migliorare gli standard per la protezione dell'ambiente nel trattamento dei rifiuti da apparecchiature elettriche ed elettroniche (Direttiva RAEE).

Marchio CE



Con la presente, Lenco Benelux B.V., Thermiekstraat 1a, 6361 HB Nuth, Paesi Bassi, dichiara che questo prodotto è conforme ai requisiti essenziali della Direttiva europea.

La dichiarazione di conformità può essere richiesta inviando un'e-mail a techdoc@commaxxgroup.com

Assistenza

Per ulteriori informazioni e accesso all'helpdesk, visitare il sito www.lenco.com

Lenco Benelux BV, Thermiekstraat 1a, 6361 HB, Nuth, Paesi Bassi.

ПРЕДОСТЕРЕЖЕНИЕ:

Использование органов управления или регулировки или выполнение процедур, отличных от указанных в данном документе, может привести к воздействию опасного облучения.

МЕРЫ ПРЕДОСТОРОЖНОСТИ ПЕРЕД ИСПОЛЬЗОВАНИЕМ

СОБЛЮДАЙТЕ ПРИВЕДЕННЫЕ НИЖЕ УКАЗАНИЯ:

1. Не накрывайте и не перекрывайте вентиляционные отверстия. При размещении устройства на полке оставьте 5 см (2 дюйма) свободного пространства с каждой стороны устройства.
2. Осуществляйте установку в соответствии с идущим в комплекте руководством пользователя.
3. Храните устройство вдали от источников тепла, таких как радиаторы, обогреватели, печи, свечи и другие тепловыделяющие объекты или источники открытого огня. Устройство может использоваться только в среде с умеренной температурой. Следует избегать крайне холодной или теплой среды. Рабочая температура от 0° до 35°C.
4. Избегайте использования устройства вблизи сильных магнитных полей.
5. Электростатический разряд может нарушить нормальное использование данного устройства. Если это случилось, просто сбросьте и перезагрузите устройство в соответствии с руководством пользователя. Во время передачи файлов обращайтесь с устройством осторожно и используйте его в среде, не содержащей статических помех.
6. Предупреждение! Никогда не вставляйте в устройство посторонние предметы через вентиляционные или иные отверстия. Через устройство проходит высокое напряжение, и вставка какого-либо предмета может привести к поражению электрическим током и/или короткому замыканию внутренних деталей. По этой же причине не проливайте воду или жидкость на устройство.
7. Не используйте устройство в мокрых или влажных помещениях, таких как ванные комнаты, кухни, насыщенные водяным паром, или вблизи плавательных бассейнов.
8. На устройство не должны попадать капли или брызги, также обеспечьте, чтобы никакие предметы, наполненные жидкостью, такие как вазы, не размещались на устройстве или рядом с ним.
9. Не используйте данное устройство в случаях вероятности образования в помещении конденсата. При использовании устройства в теплом влажном помещении внутри устройства могут образоваться капли воды или конденсат, и устройство может работать неправильно; перед включением питания дайте устройству постоять в выключенном состоянии в течение 1 или 2 часов: устройство должно быть сухим перед включением питания.
10. Несмотря на то, что данное устройство произведено с предельной осмотрительностью и несколько раз проверено перед выпуском с фабрики, есть вероятность возникновения проблем, как и с любыми электрическими приборами. Если вы заметили дым, чрезмерное накопление тепла или какие-либо другие неожиданные явления, вам следует немедленно отсоединить вилку от сетевой розетки питания.
11. Данное устройство должно работать от источника питания, указанного на этикетке с техническими характеристиками. Если вы не уверены в типе источника питания, используемого в вашем доме, обратитесь к вашему продавцу или местной энергетической компании.
12. Держите устройство вне доступа животных. Некоторые животные любят грызть шнуры питания.
13. Для очистки устройства используйте мягкую сухую ткань. Не используйте растворители или жидкости на основе бензина. Для удаления сильных пятен можно использовать влажную ткань с разведенным моющим средством.

14. Поставщик не несет ответственности за повреждение или потерю данных, вызванных неисправностью, неправильным использованием, модификацией устройства или заменой аккумулятора.
15. Не прерывайте соединение, когда устройство осуществляет форматирование или передает файлы. В противном случае данные могут быть повреждены или потеряны.
16. Если устройство имеет функцию воспроизведения через USB, то USB-накопитель следует подключить непосредственно к устройству. Не используйте удлинительный USB-кабель, так как он может вызвать помехи, приводящие к сбою передачи данных.
17. На нижнюю или заднюю панель устройства нанесена метка рейтинга защиты.
18. Данное устройство не предназначено для использования людьми (включая детей) с физическими, сенсорными или умственными недостатками, а также с недостаточным опытом и знаниями, если только они не находятся под наблюдением или не были проинструктированы о правильном использовании устройства лицом, ответственным за их безопасность.
19. Данное устройство предназначено только для непрофессионального использования, и не для коммерческого или промышленного использования.
20. Обеспечьте, чтобы устройство было размещено в устойчивом положении. Гарантия не распространяется на повреждения, вызванные использованием данного устройства в неустойчивом положении, вибрациями или ударами, а также несоблюдением любых других предупреждений или мер предосторожности, содержащихся в данном руководстве пользователя.
21. Никогда не снимайте корпус данного устройства.
22. Никогда не размещайте данное устройство сверху другого электрического оборудования.
23. Исключите доступ детей к пластиковым пакетам.
24. Используйте только принадлежности/аксессуары, указанные производителем.
25. Обращайтесь по вопросам какого-либо обслуживания к квалифицированному сервисному персоналу. Обслуживание требуется, если устройство было каким-либо образом повреждено, например, случилось повреждение шнура питания или вилки, или если на устройство была пролита жидкость или в него упали предметы, когда устройство подверглось воздействию дождя или влаги, не работает нормально или падало.
26. Длительное прослушивание громкого звука от персональных музыкальных проигрывателей может привести к временной или постоянной потере слуха.
27. Если устройство поставляется со шнуром питания или адаптером переменного тока:
 - При возникновении каких-либо неполадок отсоедините шнур питания переменного тока и обратитесь за обслуживанием к квалифицированному персоналу.
 - Не наступайте на адаптер питания и не зажимайте его. Будьте особенно осмотрительны, особенно вблизи вилки и места выхода шнура питания. Не ставьте на адаптер питания тяжелые предметы, которые могут его повредить. Держите весь комплект устройства в недоступном для детей месте! Играя со шнуром питания, они могут серьезно пораниться.
 - Отключайте данное устройство от сети во время грозы или при длительном неиспользовании.
 - Розетка должна быть установлена рядом с устройством и должна быть легкодоступна.
 - Не перегружайте розетки переменного тока или удлинители. Перегрузка может привести к возгоранию или поражению электрическим током.
 - Устройства с конструкцией класса 1 должны быть подключены к сетевой розетке с защитным заземлением.
 - Устройства с конструкцией класса 2 не требуют заземления.
 - Всегда держитесь за вилку, когда вынимаете ее из сетевой розетки. Не тяните за шнур питания. Это может привести к короткому замыканию.

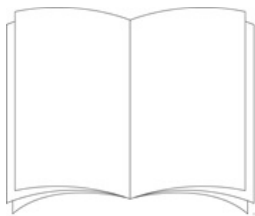
- Не используйте поврежденный шнур питания, вилку или незакрепленную розетку. Это может привести к возгоранию или поражению электрическим током.
30. Если устройство содержит или идет в комплекте с пультом дистанционного управления, содержащим плоский круглый аккумулятор:
- Предупреждение:
- Избегайте попадания аккумулятора внутрь организма, это представляет опасность химического ожога или аналогичную опасность.
 - [В случае если в комплекте идет пульт дистанционного управления] Данное устройство содержит аккумулятор кнопочного типа. В случае проглатывания аккумулятора, он может вызвать сильные внутренние ожоги всего за 2 часа и может привести к смерти.
 - Храните новые и использованные аккумуляторы вдали от детей.
 - Если отсек для аккумуляторов не закрывается надежно, остановите использование устройства и держите его вдали от детей.
 - Если вы считаете, что аккумуляторы могли быть проглочены или попали внутрь какой-либо части тела, немедленно обратитесь за медицинской помощью.
31. Предостережения в отношении использования аккумуляторов:
- Опасность взрыва при неправильной замене аккумулятора. Заменяйте аккумулятор только на такой же или эквивалентный тип.
 - Аккумулятор не должен подвергаться воздействию чрезвычайно высоких или низких температур, низкому давлению воздуха при использовании на большой высоте, при хранении или транспортировке.
 - Замена аккумулятора на неправильный тип может привести к взрыву или утечке легковоспламеняющейся жидкости или газа.
 - Выбрасывание аккумулятора в огонь или горячую печь, его механическое дробление или разрезание могут привести к взрыву.
 - Если оставить аккумулятор в среде с чрезвычайно высокой температурой, это может привести к взрыву или утечке легковоспламеняющейся жидкости или газа.
 - Если аккумулятор подвергается воздействию чрезвычайно низкого давления воздуха, это может привести к взрыву или утечке легковоспламеняющейся жидкости или газа.
 - Следует учитывать экологические аспекты утилизации аккумуляторов.

УСТАНОВКА

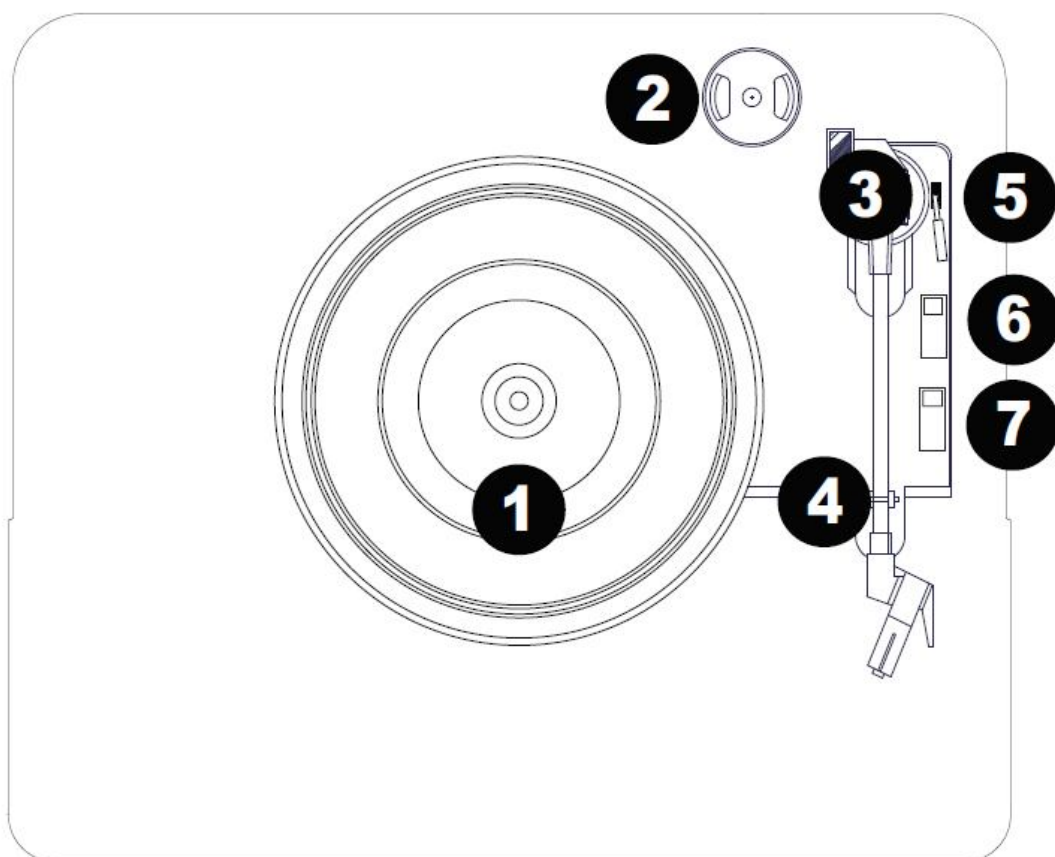
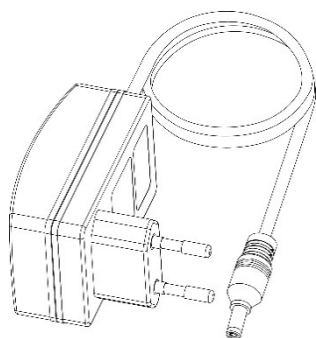
- Распакуйте все детали и снимите защитный материал.

Комплектация:

Руководство пользователя



Адаптер питания



1. **Диск:** служит для размещения пластинки.
2. **Держатель адаптера на 45 об/мин:** фиксирует на месте идущий в комплекте адаптер на 45 об/мин. Если адаптер не используется, поместите его в данный держатель.
3. **Тонарм:** фиксированный тонарм можно поднимать и опускать вручную или перемещая рычаг подъема/опускания.
4. **Фиксатор тонарма:** данный специально разработанный фиксатор тонарма блокирует тонарм на месте, когда устройство находится в состоянии покоя или когда оно не

используется. Фиксатор тонарма был сконструирован таким образом, что он остается в верхнем положении, когда тонарм разблокирован.

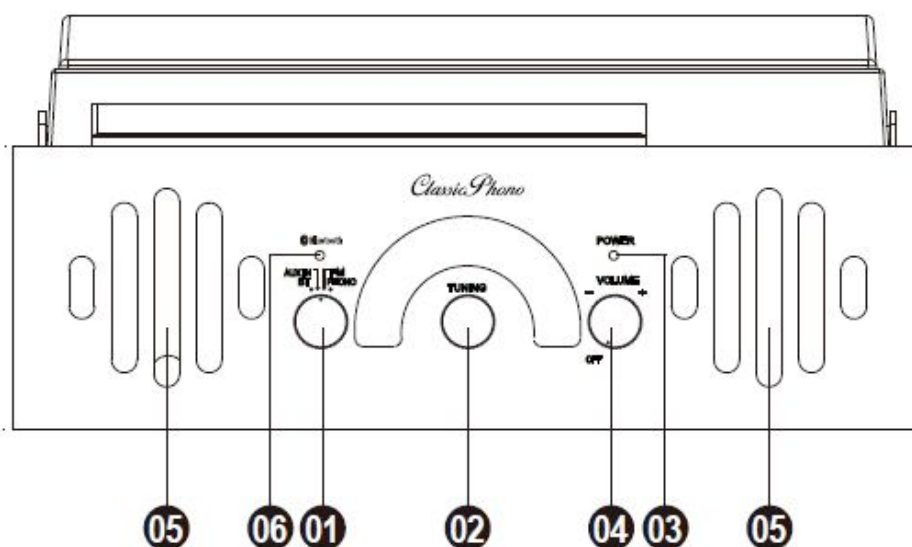
5. **Рычаг подъема/опускания:** служит для подъема и опускания тонарма.

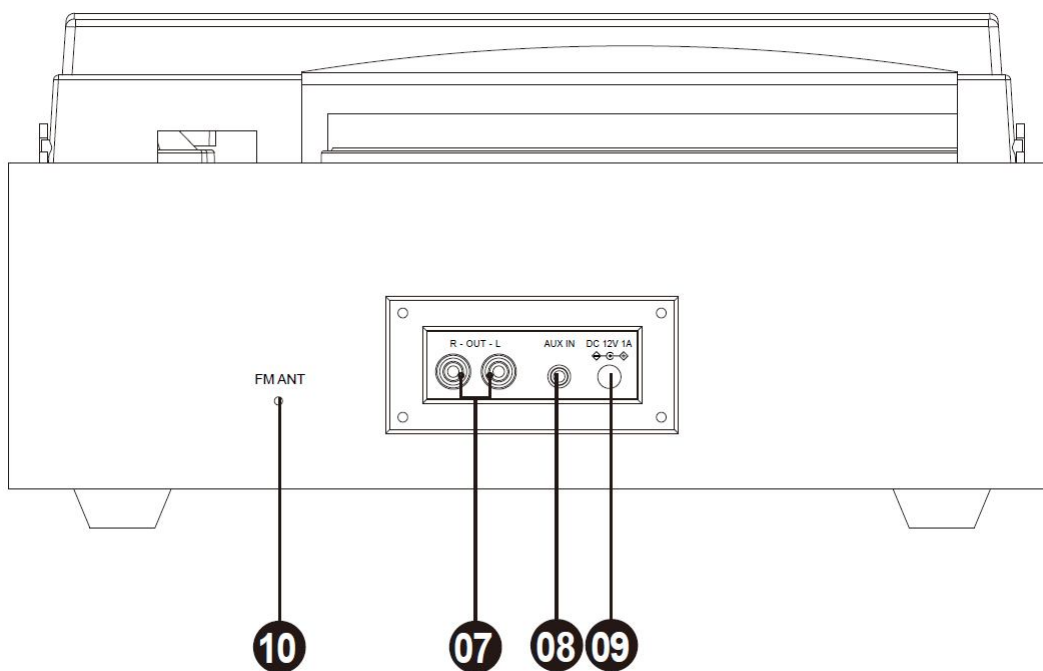
6. **Переключатель автоматической остановки:** данный переключатель включает или выключает автоматическую остановку. Когда автоматическая остановка включена, пластинка начнет вращаться, когда тонарм будет помещен на ней, и перестанет вращаться, когда тонарм достигнет конца пластинки. Когда автоматическая остановка выключена, пластинка всегда будет вращаться независимо от положения тонарма.

Примечание: если ваша запись на вашей пластинке заканчивается до того, как тонарм достигнет конца пластинки, выключите автоматическую остановку для данной конкретной пластинки. Обычно это рекомендуется для пластинок на 45 об/мин.

7. **Переключатель на 33/45/78 об/мин:** данный переключатель управляет скоростью вращения диска проигрывателя пластинок.

Примечание: для получения наилучших результатов при воспроизведении пластинок на 78 об/мин используйте адаптер на 78 об/мин (продается отдельно). Используйте адаптер на 78 об/мин только для пластинок на 78 об/мин.





1. **Режим:** поверните этот переключатель для выбора используемого источника (BT, FM, Phono или Aux In).
2. **Переключатель радиочастот (настройка):** поверните этот переключатель для выбора частоты радиостанции FM.
3. **Светодиодный индикатор питания:** этот светодиодный индикатор питания загорается при включении питания.
4. **ВКЛЮЧЕНИЕ/ВЫКЛЮЧЕНИЕ питания и громкость:** включение/выключение и регулировка громкости для внутренних динамиков.
5. **Динамики:** 2 стереодинамика, если источник стерео.
6. **Светодиодный индикатор Bluetooth:** этот светодиодный индикатор загорается при включении режима Bluetooth.
7. **Разъем RCA:** служит для подключения внешнего динамика (не входит в комплект).
8. **Разъем входа AUX:** служит для подключения внешнего аудиоустройства, например MP3-плеера, мобильного телефона и т.д., для прослушивания музыки с подключенного устройства.
9. **Разъем адаптера:** служит для подключения адаптера питания.
10. **FM-антенна:** служит для приема FM-радиосигнала.

Воспроизведение через проигрыватель

Перед использованием выполните следующее:

- Снимите защитную пленку с головки. Повторно установите защитный колпачок на головке, когда проигрыватель не используется.

- Проверьте, что тонарм свободно перемещается с опоры для тонарма. Когда проигрыватель не используется, снова зафиксируйте тонарм на опоре.

1. Установите **ручку переключения режимов** в положение **Phono** и поднимите пылезащитную крышку проигрывателя.
2. Поместите пластинку на проигрыватель, вставив ее на центральную ось, выступающую из диска.
3. Установите **переключатель скоростей** на 33, 45 или 78 об/мин в зависимости от типа пластинки.
4. Поднимите тонарм с подставки, используя рычаг подъема, и медленно переместите его в положение над пластинкой.
Диск проигрывателя начнет вращаться.
5. Переместите тонарм в положение поверх нужного места пластинки.
6. Аккуратно опустите тонарм на пластинку, чтобы начать воспроизведение.
7. Когда пластинка доиграет, тонарм автоматически остановит ход. Поднимите тонарм с пластинки и установите обратно на подставку.
8. Чтобы вручную остановить пластинку, поднимите тонарм с пластинки и верните его на подставку.

Примечание: не останавливайте и не поворачивайте диск вручную. Переноска или тряска проигрывателя при незакрепленном в фиксаторе тонарме может привести к повреждению тонарма.

Использование переключателя автоматической остановки

Некоторые типы пластинок могут иметь область автостопа за рамками заданного предела, поэтому проигрыватель может остановиться еще до окончания последней записи. Если это произойдет, установите **переключатель автоматической остановки** в **выключенное положение**. Это позволяет проигрывать пластинку до конца, но она не остановится автоматически. Вам необходимо вручную поднять тонарм и поместить его обратно на подставку, а затем выключить питание, чтобы остановить вращение проигрывателя.

РЕЖИМ AUX IN

1. Установите **переключатель режимов** в положение **Aux In**.
2. Подключите кабель стереозвукa (не входит в комплект) от **разъема Aux In** к линейному выходу или выходу для наушников вашего внешнего аудиоустройства, чтобы иметь возможность прослушивать внешний источник через внутренние динамики.
3. Отрегулируйте громкость до нужного уровня.

Примечание: если подключен линейный выход вашего внешнего устройства, вам нужно только настроить регулятор громкости системы. Если подключен выход для

наушников вашего внешнего устройства, вам может потребоваться настроить регулятор громкости как на внешнем устройстве, так и на ТТ-41 для достижения необходимой громкости.

РЕЖИМ РАДИО

1. Установите **переключатель режимов** в положение **FM**.
2. Выберите нужную радиостанцию, поворачивая **ручку настройки**.
3. Отрегулируйте громкость до нужного уровня.
4. Завершив прослушивание радио, установите **переключатель режимов** в положение **Phono**, чтобы выключить радио.

Примечание: приемник имеет встроенную FM-антенну, установленную на задней стороне. Данный провод должен быть полностью размотан и вытянут для лучшего приема.

РЕЖИМ BLUETOOTH

1. Установите **переключатель режимов** в положение **BT**. Светодиодный индикатор питания начнет мигать СИНИМ цветом.
2. В настройках вашего внешнего устройства включите функцию bluetooth. Немного подождите, а затем найдите через bluetooth имя сопряжения «ТТ-41»
3. Выберите имя сопряжения bluetooth, чтобы подключить устройство. После подключения СИНИЙ светодиод перестанет мигать.
4. Теперь вы подключены к внешнему устройству через bluetooth
5. Лучше всего поставить уровень **громкости** на вашем bluetooth-устройстве (**смартфоне или планшете**) на **максимум** и настроить необходимую громкость прослушивания, используя ручку регулировки громкости на проигрывателе.

Автоматический переход в режим ожидания для энергосбережения: ТТ-41 автоматически переходит в режим ожидания, если в течение +/- 15 минут отсутствует аудиосигнал (запись или через Bluetooth-соединение) или аудиосигнал Bluetooth-устройства слишком слабый. Отключение проигрывателя не является неисправностью

ПОДКЛЮЧЕНИЕ ТТ-41 К ВНЕШНИМ АКТИВНЫМ ДИНАМИКАМ ИЛИ ВНЕШНЕМУ HI-FI-КОМПЛЕКТУ

Подключите выходной разъем RCA к внешней акустической системе с помощью кабеля RCA (не входит в комплект), чтобы наслаждаться музыкой с пластинок на вашей акустической системе.

ПОРЯДОК ЗАМЕНЫ ИГЛЫ

Чтобы заменить иглу см. приведенную ниже инструкцию.

Извлечение иглы из картриджа

1. Поместите отвертку на кончик головки и надавите вниз, как показано в направлении «А».
2. Извлеките головку, потянув ее вперед и вниз.

Установка головки

1. Удерживайте кончик головки и вставьте ее, надавив в направлении «В», как показано на рисунке.
2. Потяните головку вверх в направлении «С», пока она не зафиксируется в наклонном положении.

ПРИМЕЧАНИЯ

Мы советуем вам очищать ваши пластинки антистатической тканью, чтобы получить максимальное удовольствие от их прослушивания.

Мы также хотели бы отметить, что по этой же причине вашу головку следует периодически заменять (примерно каждые 250 часов воспроизведения)

СОВЕТЫ ПО ЛУЧШЕМУ ИСПОЛЬЗОВАНИЮ ПРОИГРЫВАТЕЛЯ

1. Открывая или закрывая крышку проигрывателя, обращайтесь с ней осторожно, удерживая ее либо в центре, либо по бокам.
2. Не прикасайтесь пальцами к кончику иглы; избегайте столкновения иглы с диском проигрывателя или краем пластинки.
3. Регулярно чистите кончик иглы мягкой щеткой, только движением «назад-вперед».
4. Если вам необходимо использовать жидкость для чистки игл, используйте ее в небольших количествах.
5. Аккуратно протрите корпус проигрывателя мягкой тканью. Используйте только небольшое количество мягкого моющего средства для чистки проигрывателя.
6. Никогда не наносите агрессивные химические вещества или растворители на какую-либо часть системы проигрывателя.

ТЕХНИЧЕСКИЕ ХАРАКТЕРИСТИКИ

Адаптер питания:	Выход 12 В пер. тока, 1 А
	Вход 100-240 В пер. тока, 50/60 Гц, макс. 0,3 А
Версия bluetooth:	5.0
Имя устройства при сопряжении через	ТТ-41

bluetooth:	
Вход Аух:	разъем 3,5 мм
Выход Аух:	разъем RCA
Диапазон FM-частот:	87.5 - 108 МГц
Частота bluetooth:	2402 - 2480 МГц
Рабочая температура:	0 - 40 °С
Температура хранения:	-20 - 70°С

В связи с продолжающимся совершенствованием, функции и конструкция устройства могут быть изменены без предварительного уведомления

Адаптер питания (только для стран ЕС)

Используйте только такой источник питания, который указан в руководстве пользователя

Информация	Значение и точность
Наименование производителя или торговая марка, коммерческая регистрация и адрес	«ШЕНЬЧЖЕНЬ ШИ ГУАНКАЙЮАНЬ ТЕКНОЛОДЖИ, ЛТД.» (SHENZHEN SHI GUANGKAIYUAN TECHNOLOGY.,LTD.) Этаж 2, 41 ТяньШэн Роуд ТяньЛяо Вилладж, ГунМин Стрит, Гунмин, Шеньчжень, Гуандун, Китай
Идентификатор модели	GKYZA0100120EU
Входное напряжение	100-240 В
Входная частота пер. тока	50/60 Гц
Выходное напряжение	12 В
Выходной ток	1 А
Выходная мощность	12 Вт
Средняя активная эффективность	84,84 %
Потребляемая мощность без нагрузки	0,042 Вт

Гарантийные обязательства

Срок гарантии составляет 1 (один) год с даты продажи. **Срок службы** – до 5 (пяти) лет.

Важное примечание: Компания Lenco не обеспечивает обслуживание оборудования в случае непосредственного обращения в головной офис компании.

Важное примечание: Гарантия не действует, если устройство вскрывалось или подвергалось изменениям вне официального сервисного центра.

Это устройство не предназначено для профессионального использования. В случае профессионального использования гарантийные обязательства производителя не будут выполняться.

Заявление об ограничении ответственности

Обновления микропрограмм и/или компонентов аппаратного обеспечения производятся регулярно. Поэтому некоторые инструкции, спецификации и изображения в этой документации могут незначительно отличаться от Вашей конкретной ситуации. Все элементы, описанные в данном руководстве, предназначены только для иллюстрации и могут не относиться к конкретной ситуации. Из описания, приведенного в этом руководстве, нельзя получить никаких юридических прав.

Утилизация оборудования



Этот символ означает, что соответствующее электрооборудование или батарея не может быть утилизирована как обычные бытовые отходы в Европе. Чтобы обеспечить корректную утилизацию данного оборудования руководствуйтесь местными законами или требованиями по утилизации электронного оборудования и батарей. Поступая таким образом, Вы поможете сохранить природные ресурсы и улучшить стандарты защиты окружающей среды при обработке и утилизации электрических отходов (Директива ЕС об отходах электрического и электронного оборудования).

Маркировка «CE»



Продукция с маркировкой CE соответствует требованиям Директиве ЕС по электромагнитной совместимости (2014/30/ЕС) и Директиве ЕС по вопросам качества низковольтных электротехнических изделий (2014/35/ЕС), принятых Комиссией Европейского Союза. Настоящим компания «Ленко Бенелюкс БВ» (Lenco Benelux BV), Термикстраат 1а, Нют, 6361 НВ, Нидерланды (Thermiekstraat 1a, 6361 НВ Nuth, The Netherlands) заявляет, что этот продукт соответствует основным требованиям. С декларацией соответствия можно ознакомиться по адресу techdoc@lenco.com. «Ленко Бенелюкс БВ», Термикстраат 1а, Нют, 6361 НВ, Нидерланды

Маркировка «ЕАС»



Товар сертифицирован для использования на территории Таможенного Союза без каких-либо ограничений. Соответствует требованиям ТР ТС 004/2011 «О безопасности низковольтного оборудования» и ТР ТС 020/2011 «Электромагнитная совместимость технических средств».

Импортер и организация, уполномоченная на принятие претензий: ООО

"Бизнес-фабрика", 123458 г. Москва, ул. Маршала Прошлякова, д. 30, офис 503, +7 495 787 5900. **Изготовитель:** «Ленко Бенелюкс БВ», Термикстраат 1а, Нют, 6361 НВ, Нидерланды / **Филиал:** Эс.Ти.Ай. Электроникс Лтд., Юнит 903-907, 9/ЭФ, Лоз Коммершиал Плаза, 788 Чонг Ша Ван Роуд, Коулун, Гонконг. Сделано в Китае

Обслуживание

Для получения дополнительной информации и обращения в службу поддержки клиентов посетите наш веб-сайт: www.lenco.ru. Дизайн и спецификация могут быть изменены производителем без предварительного информирования.

Дата изготовления продукции

Год и месяц изготовления продукции указаны в номере партии и серийном номере продукта. Ниже описаны способы уточнения этой даты.

- По номеру партии (номер партии указан либо на упаковке устройства, либо на транспортировочной упаковке).
 - Формат номера партии: AAAABDDMY
- По серийному номеру продукта (серийный номер указан на устройстве).
 - Формат серийного номера: AAAABDDMYSSSSS

Где М (восьмой символ слева) равен месяцу производства, а Y (девятый символ слева) равен году производства. Месяц производства указывается одной из букв латинского алфавита.

Соответствие буквенных обозначений месяца производства:

A	B	C	D	E	F
Январь	Февраль	Март	Апрель	Май	Июнь
G	H	I	J	K	L

Июль	Август	Сентябрь	Октябрь	Ноябрь	Декабрь
------	--------	----------	---------	--------	---------

Год производства указывается одной цифрой, которая соответствует последней цифре года производства (цифра 1 равна 2021 году производства).

Пример расшифровки по номеру партии:

- Номер партии: 2461A05C0
- Где буква C это месяц (Март), а цифра 0 – последняя цифра года производства (2020 год).

Пример расшифровки по серийному номеру:

- 2461A05A1123456
- Где буква A это месяц (Январь), а цифра 1 – последняя цифра года производства (2021 год).

Гарантийный талон



Информация об устройстве

Модель:	
Серийный номер:	
Дата продажи:	срок гарантии – 1 (один) год с даты продажи

Информация о продавце

Название торговой организации:	
Телефон торговой организации:	
Адрес, e-mail:	

Подпись продавца _____

М.П.

Подпись покупателя _____

Изделие получил в исправном состоянии и в полной комплектации. С условиями гарантии ознакомлен и согласен.

ВНИМАНИЕ! Гарантийный талон недействителен без печати продавца.

Поддержка: www.lenco.ru