

# Lenco

Model:PA-200BK



**User manual-** Bluetooth party speaker with full front light animation

**Gebbruikershandleiding** - bluetooth-feestluidspreker met volledige frontverlichting met animatie

**Bedienungsanleitung** – Bluetooth-Partylautsprecher mit Lichtanimation über die ganze Vorderseite

**Mode d'emploi** – Enceinte Bluetooth à animation lumineuse intégrale à l'avant

**Manual de usuario:** Altavoz Bluetooth para fiestas con animación completa de luces delanteras

## Index

English.....	3
Nederlands .....	13
Deutsch.....	24
Français.....	36
Español .....	49

**CAUTION:**

Usage of controls or adjustments or performance of procedures other than those specified herein may result in hazardous radiation exposure.

**PRECAUTIONS BEFORE USE**

---

**KEEP THESE INSTRUCTIONS IN MIND:**

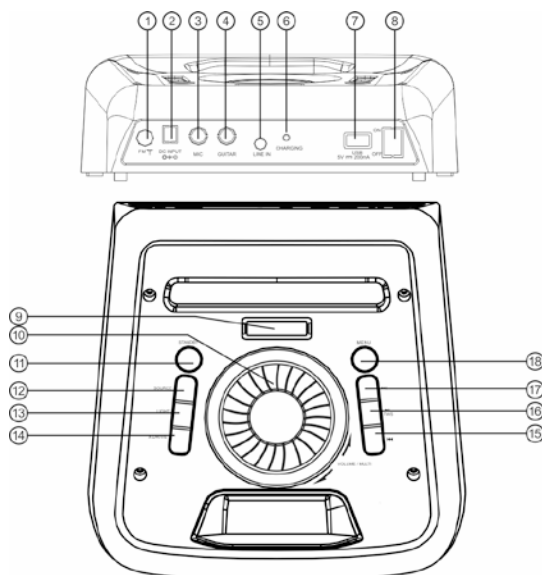
1. Do not cover or block any ventilation openings. When placing the device on a shelf, leave 5 cm (2") free space around the whole device.
2. Install in accordance with the supplied user manual.
3. Keep the device away from heat sources such as radiators, heaters, stoves, candles and other heat-generating products or naked flame. The device can only be used in moderate climates. Extremely cold or warm environments should be avoided. Working temperature between 0° and 35°C.
4. Avoid using the device near strong magnetic fields.
5. Electrostatic discharge can disturb normal usage of this device. If so, simply reset and restart the device following the instruction manual. During file transmission, please handle with care and operate in a static-free environment.
6. Warning! Never insert an object into the product through the vents or openings. High voltage flows through the product and inserting an object can cause electric shock and/or short circuit internal parts. For the same reason, do not spill water or liquid on the product.
7. Do not use in wet or moist areas such as bathrooms, steamy kitchens or near swimming pools.
8. The device shall not be exposed to dripping or splashing and make sure that no objects filled with liquids, such as vases, are placed on or near the apparatus.
9. Do not use this device when condensation may occur. When the unit is used in a warm wet room with damp, water droplets or condensation may occur inside the unit and the unit may not function properly; let the unit stand in power OFF for 1 or 2 hours before turning on the power: the unit should be dry before getting any power.
10. Although this device is manufactured with the utmost care and checked several times before leaving the factory, it is still possible that problems may occur, as with all electrical appliances. If you notice smoke, an excessive build-up of heat or any other unexpected phenomena, you should disconnect the plug from the main power socket immediately.
11. This device must operate on a power source as specified on the specification label. If you are not sure of the type of power supply used in your home, consult your dealer or local power company.
12. Keep away from animals. Some animals enjoy biting on power cords.
13. To clean the device, use a soft dry cloth. Do not use solvents or petrol based fluids. To remove severe stains, you may use a damp cloth with dilute detergent.
14. The supplier is not responsible for damage or lost data caused by malfunction, misuse, modification of the device or battery replacement.

15. Do not interrupt the connection when the device is formatting or transferring files. Otherwise, data may be corrupted or lost.
16. If the unit has USB playback function, the USB memory stick should be plugged into the unit directly. Don't use an USB extension cable because it can cause interference resulting in failing of data.
17. The rating label has been marked on the bottom or back panel of the device.
18. This device is not intended for use by people (including children) with physical, sensory or mental disabilities, or a lack of experience and knowledge, unless they're under supervision or have received instructions about the correct use of the device by the person who is responsible for their safety.
19. This product is intended for non professional use only and not for commercial or industrial use.
20. Make sure the unit is adjusted to a stable position. Damage caused by using this product in an unstable position vibrations or shocks or by failure to follow any other warning or precaution contained within this user manual will not be covered by warranty.
21. Never remove the casing of this device.
22. Never place this device on other electrical equipment.
23. Do not allow children access to plastic bags.
24. Only use attachments/accessories specified by the manufacturer.
25. Refer all servicing to qualified service personnel. Servicing is required when the device has been damaged in any way, such as the power supply cord or the plug, when liquid has been spilled or objects have fallen into the device, when the device has been exposed to rain or moisture, does not operate normally, or has been dropped.
26. Long exposure to loud sounds from personal music players may lead to temporary or permanent hearing loss.
27. If the product is delivered with power cable or AC power adaptor:
  - If any trouble occur, disconnect the AC power cord and refer servicing to qualified personnel.
  - Don't step on or pinch the power adaptor. Be very careful, particularly near the plugs and the cable's exit point. Do not place heavy items on the power adaptor, which may damage it. Keep the entire device out of children's reach! When playing with the power cable, they can seriously injure themselves.
  - Unplug this device during lightning storms or when unused for a long period.
  - The socket outlet must be installed near the equipment and must be easily accessible.
  - Do not overload ac outlets or extension cords. Overloading can cause fire or electric shock.
  - Devices with class 1 construction should be connected to a main socket outlet with a protective earthed connection.
  - Devices with class 2 construction do not require a earthed connection.
  - Always hold the plug when pulling it out of the main supply socket. Do not pull the power cord. This can cause a short circuit.

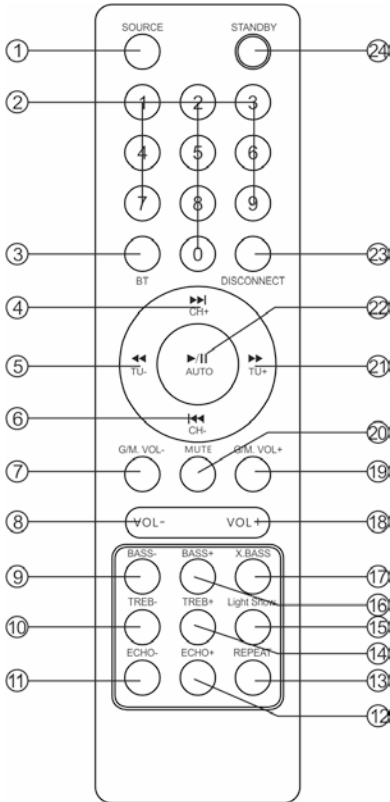
- Do not use a damaged power cord or plug or a loose outlet. Doing so may result in fire or electric shock.
28. If the product contains or is delivered with a remote control containing coin/cell batteries:
- Warning:
- “Do not ingest battery, Chemical Burn Hazard” or equivalent working.
  - [The remote control supplied with] This product contains a coin/button cell battery. If the battery is swallowed, it can cause severe internal burns in just 2 hours and can lead to death.
  - Keep new and used batteries away from children.
  - If the battery compartment does not close securely, stop using the product and keep it away from children.
  - If you think batteries might have been swallowed or placed inside any part of the body, seek immediate medical attention.
29. Caution about the use of Batteries:
- Danger of explosion if battery is incorrectly replaced. Replace only with the same or equivalent type.
  - Battery cannot be subjected to high or low extreme temperatures, low air pressure at high altitude during use, storage or transportation.
  - Replacement of a battery with an incorrect type that can result in an explosion or the leakage of flammable liquid or gas.
  - Disposal of a battery into fire or a hot oven, or mechanically crushing or cutting of a battery, that can result in an explosion.
  - Leaving a battery in an extremely high temperature surrounding environment that can result in an explosion or that leakage of flammable liquid or gas.
  - A battery subjected to extremely low air pressure that may result in an explosion or the leakage of flammable liquid or gas.
  - Attention should be drawn to the environmental aspects of battery disposal.

## **INSTALLATION**

- Unpack all parts and remove protective material.
- Do not connect the unit to the mains before checking the mains voltage and before all other connections have been made.



1. FM ANTENNA: FM input socket
2. DC INPUT: DC input socket.
3. MIC: Wired microphone input socket
4. GUITAR: Guitar input socket
5. LINE IN: Line input socket
6. CHARGING LIGHT
7. USB: USB input socket  
Important: The USB port is intended only for USB sticks, other devices cannot be used with this USB connection. The use of USB extension cords is not recommended.
8. POWER SWITCH: Switch power between ON or OFF.
9. LED DISPLAY: Display speaker status.
10. VOLUME/MULTI: Increase or decrease speaker main volume or MIC/GUITAR/ECHO volume.
11. STANDBY: If device is not used for a few days or weeks, better POWER OFF than STANDBY.
12. SOURCE: Press to change the source between USB, BT, FM, LINE
13. LIGHT MODE: Press to change the light mode between LED1,LED2,LED3,LED4,OFF
14. X DRIVE: Press to X Drive ON or OFF for more BASS effect.
15. PREV: Press this key to go to the previous track in USB/BT mode. In FM mode hold to tune to the previous channel, press to fine tune.
16. PLAY/PAUSE/TWS: Press to play/pause a track. In FM mode press for the full automatic search. Press and hold to TWS (true wireless stereo) mode on or off.
17. NEXT: Press this key to go to the next track in USB/BT mode. In FM mode hold to tune to the next channel, press to fine tune.
18. MENU: Press this key to change the menu between MIC/GUITAR VOLUME, ECHO VOLUME,BASS, TREBLE.  
Display "20 10" mean for MIC/GUITAR VOL 10, Rotate VOLUME/MULTI knob to adjust 0-30.  
Display "E 10" mean for ECHO VOL 10, Rotate VOLUME/MULTI knob to adjust 0-30.  
Display "b 00" mean for BASS 00, Rotate VOLUME/MULTI knob to adjust  $\pm 6$  dB.  
Display "t 00" mean for TREBLE 00, Rotate VOLUME/MULTI knob to adjust  $\pm 6$  dB.



- 1) **SOURCE**  
Press to change the source between USB, LINE, BT, FM.
- 2) **0~9 NUMERIC KEYS** These keys are used to play a track directly in USB source mode. Eg:  
To play 12th track in the USB playlist press the numeric key "1" followed by "2". In FM, to select saved channel, or input station frequency directly
- 3) **BT** Press to enter Bluetooth pairing mode.
- 4) **▶▶/CH+**  
Play the next song by pressing "▶▶/CH+" at USB/BT input mode.  
Adjust next channel by pressing "▶▶/CH+" at FM input mode.
- 5) **◀◀/TU-**  
Fast rewind a song by pressing "◀◀/TU-" at USB input mode.  
Adjust radio frequency by pressing "◀◀/TU-" at FM input mode.
- 6) **◀◀/CH-**  
Play the previous song by pressing "◀◀/CH-" at USB/BT input mode.  
Adjust previous channel by pressing "◀◀/CH-" at FM input mode.
- 7) **GUITAR/MIC VOL-** To decrease the guitar and MIC volume.
- 8) **VOL-** To decrease the volume.
- 9) **BASS-**  
To decrease the bass effect.
- 10) **TREB-**  
To decrease the Treble effect.
- 11) **ECHO-**

- To decrease the echo effect
- 12) ECHO+ To increase the echo effect
- 13) REPEAT  
Choose repeat mode by pressing "REPEAT" at USB input mode.  
Repeat, random, single, all.
- 14) TREB+ To increase the Treble effect.
- 15) LIGHT SHOW  
To change the light mode between LED1, LED2, LED3, LED4, OFF
- 16) BASS+  
To increase the bass effect.
- 17) X.BASS  
Press this key to turn ON/OFF the extra bass effect.
- 18) VOL+ To increase the volume.
- 19) GUITAR/MIC VOL+  
To increase the GUITAR and MIC volume.
- 20) MUTE  
Press this key to MUTE/UNMUTE the speaker volume.
- 21) ►►/TU+  
Fast forward song by pressing "►►/TU+" at USB input mode.  
Adjust radio frequency by pressing "►►/TU+" at FM input mode.
- 22) ►||/AUTO
- Play / pause in USB/BT mode.
  - In FM mode press for the full automatic search.
- 23) DISCONNECT In BT, Press to disconnect and pair with a new device.
- 24) STANDBY  
Stand by ON/OFF key.



---

**Bluetooth pair and connect**

- Turn off any Bluetooth devices previously paired (linked) with this unit.
- Turn on the Bluetooth features on your phone or music player.
- Turn on and set this unit to Bluetooth mode. The flashing: "BL" on LED display indicates it is in pairing mode.
- Set your phone or music player to search for Bluetooth devices.
- Select "Lenco PA-200" from search results on your phone or music player.
- Select OK or YES to pair this unit with your phone or music player.
- If protected, enter 0000 for passkey steady blue light indicates successful connection.

**TWS (True Wireless Stereo) mode**

1. Turn on 2 PA-200 and select both unit INPUT mode as Bluetooth
2. Press "TWS" key on speaker set for 2 seconds, it will show "TWS" on display, TWS is connecting to another speaker equipment and will connect successfully after a sound indication or display shows "BL"
3. Turn on your Bluetooth feature on your mobile phone to search Bluetooth devices and select "Lenco PA-200" from the search result, select OK or YES to pair this unit with your mobile phones and a steady blue light will indicate the connection is successful and can play any music from your mobile phones
4. Press "TWS" key on speaker unit for 2 seconds and it will turn off TWS features after shows "TWS" on display.

**FM Radio Operation**

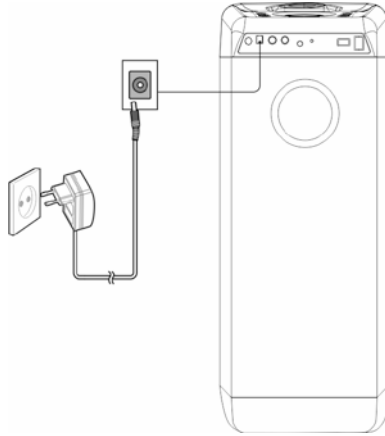
1. Before using the radio functions, you must attach the supplied antenna. Adjust the antenna to obtain optimum reception.  
Press [SOURCE] repeatedly to select FM mode.
2. Press the CH+/CH- key on the remote control or Hold down the key "◀/▶" on the top panel to skip to the preset station.
3. Press the TU+/TU- key on the remote control or press the key "◀/▶" on the top panel to adjust the radio frequency manually.  
The number key on the remote control can directly select the frequency
4. Press the key "▶|◀" on the top panel or remote, the machine will scan radio channels from low-frequency to high-frequency by itself and memorize the channels one by one.

**BATTERY**

In AC (power) mode the battery will automatically charge. A slow red flashing light indicates that the battery is charging. When fully charged a green light will be displayed.

In DC (battery) mode a green light indicates that the battery level is full. If the battery level is low a red light will be displayed. This indicates that the battery must immediately be charged or the speaker will turn off.

Power on



## SPECIFICATION

Frequency Response	-----	38Hz-20KHz
Power Source	-----	100-240V~, 50/60Hz
Power Consumption	-----	50W
Output power	-----	100W
Bluetooth	-----	V5.0
FM radio	-----	87.5-108
MHz	-----	
Unit Size (W x D x H)	-----	
24x24.5x60.5cm		
	Tweeter	size
-----		1 x 1 inch
-----		1 x 5 inch
-----		1 x 6.5 inch
-----		Unit
-----		weight
-----		5.9kg
Working Temperature	-----	10-40 °C

- The specification presents only as a reference. The value of weight and size are approximation.
- Our product is improved ceaselessly and the specification and function may be changed without prior notice.

## Power supply adaptor (For EU only)

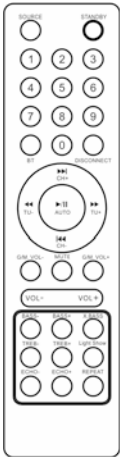
Manufacturer: GUANGZHOU GUANG ER ZHONG ELECTRONIC TECHNOLOGY CO.,LTD Model number: GPUSW1301500WD00

Use only the power supply listed in the user instructions

Information	Value and and precision
Manufacturers name or trade mark, commercial registration and address	
Model Identifier	13V/1.5A
Input voltage	AC100-240V, DC13V
Input AC frequency	50/60Hz
Output voltage	13 V
Output current	1.5A
Output Power	19.5W
Average active efficiency	80%
Efficiency at low load (10%)	75 %
No load Power consumption	0.15W

## Accessories-included

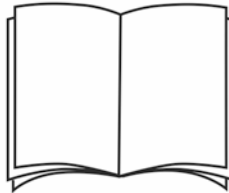
Remote control



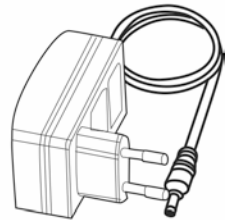
Antenna



User manual



AC adapter



### 1. Guarantee

Lenco offers service and warranty in accordance to European law, which means that in case of repairs (both during and after the warranty period) you should contact your local dealer.

Important note: It is not possible to send products that need repairs to Lenco directly.

Important note: If this unit is opened or accessed by a non-official service center in any way, the warranty expires.

This device is not suitable for professional use. In case of professional use, all warranty obligations of the manufacturer will be voided.

### 2. Disclaimer

Updates to Firmware and/or hardware components are made regularly. Therefore some of the instruction, specifications and pictures in this documentation may differ slightly from your particular situation. All items described in this guide for illustration purposes only and may not apply to particular situation. No legal right or entitlements may be obtained from the description made in this manual.

### 3. Disposal of the Old Device



This symbol indicates that the relevant electrical product or battery should not be disposed of as general household waste in Europe. To ensure the correct waste treatment of the product and battery, please dispose them in accordance to any applicable local laws of requirement for disposal of electrical equipment or batteries. In so doing, you will help to conserve natural resources and improve standards of environmental protection in treatment and disposal of electrical waste (Waste Electrical and Electronic Equipment Directive).

### 4. CE Marking

Hereby, Lenco Benelux B.V., Thermiekstraat 1a, 6361 HB Nuth, The Netherlands, declares that this product is in compliance with the essential EU directive requirements.

The declaration of conformity may be consulted via [techdoc@commaxxgroup.com](mailto:techdoc@commaxxgroup.com)



### 5. Service

For more information and helpdesk support, please visit [www.lenco.com](http://www.lenco.com)

Lenco Benelux BV, Thermiekstraat 1a, 6361 HB Nuth, The Netherlands.

**LET OP:**

Gebruik van bedieningen of afstellingen van prestaties of procedures anders dan gespecificeerd in deze gebruikershandleiding kan leiden tot blootstelling aan schadelijke straling.

**VOORZORGSMAATREGELEN VOOR GEBRUIK**

**ONTHOUD DE VOLGENDE INSTRUCTIES:**

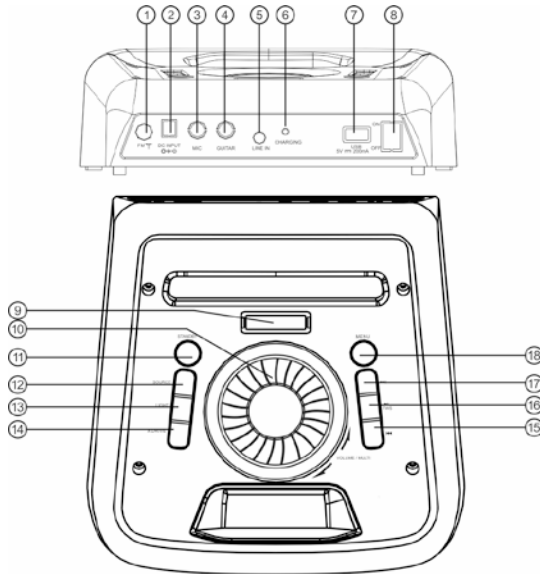
1. Bedek of blokkeer de ventilatie-openingen niet. Wanneer u het apparaat op een schap plaatst, dient u 5 cm vrije ruimte rondom het gehele apparaat te behouden.
2. Installeer het apparaat volgens de meegeleverde gebruikershandleiding.
3. Houd het apparaat uit de buurt van hittebronnen, zoals radiatoren, verwarmers, fornuizen, kaarsen en andere hittegenererende producten alsmede open vuur. Het apparaat mag alleen worden gebruikt in een gematigd klimaat. Extreem koude of warme omgevingen dienen te worden vermeden. De bedrijfstemperatuur ligt tussen 0 °C en 35 °C.
4. Gebruik dit apparaat niet in de buurt van krachtige magnetische velden.
5. Elektrostatische ontlading kan normaal gebruik van dit apparaat verstoren. U hoeft het apparaat in dit geval slechts te resetten en opnieuw op te starten volgens de gebruikershandleiding. Wees voorzichtig tijdens bestandsoverdracht. Gebruik het apparaat in een omgeving zonder statische storing.
6. Waarschuwing! Steek geen een voorwerpen in het apparaat via de ventilatie-openingen of andere openingen. Er is hoogspanning in het apparaat aanwezig. Het steken van een voorwerp in het apparaat kan een elektrische schok veroorzaken en/of kortsluiting in de interne onderdelen. Mors om dezelfde reden geen water of vloeistof op het apparaat.
7. Gebruik het apparaat niet in vochtige ruimten, zoals badkamers, keukens waar men gebruik maakt van stoom of in de buurt van zwembaden.
8. Het apparaat mag niet worden blootgesteld aan druppels en spetters. Zorg dat er geen met vloeistof gevulde voorwerpen, zoals vazen, op of in de buurt van het apparaat worden geplaatst.
9. Gebruik het apparaat niet wanneer er condensatie kan optreden. Wanneer het apparaat in een warme en vochtige ruimte wordt gebruikt, kunnen er waterdruppels of condensatie binnenin het apparaat worden gevormd waardoor het apparaat mogelijk niet meer goed werkt. Schakel het apparaat gedurende 2 uur niet in voordat u het apparaat weer inschakelt: Het apparaat dient droog te zijn voordat deze ingeschakeld wordt.
10. Alhoewel dit apparaat met grote zorg gefabriceerd is en verschillende keren geïnspecteerd is voordat het de fabriek verlaat, is het nog steeds mogelijk dat er problemen optreden, zoals met alle elektrische apparaten. Als u rook, een overmatige hitteontwikkeling of enig ander onverwacht verschijnsel constateert, moet u onmiddellijk de stekker van het netsnoer uit het stopcontact trekken.
11. Dit apparaat moet werken op een voedingsbron, zoals aangegeven op het specificatieplaatje. Als u twijfelt over het type voeding dat gebruikt wordt in uw huis, raadpleeg dan uw dealer of plaatselijk energiebedrijf.
12. Buiten bereik van dieren houden. Sommige dieren bijten graag op netsnoeren.

13. Gebruik een zacht, droge doek om het apparaat te reinigen. Gebruik geen oplosmiddelen of op benzine gebaseerde vloeistoffen.  
Om hardnekkige vlekken te verwijderen kunt u een vochtige doek met verdund reinigingsmiddel gebruiken.
14. De leverancier is niet verantwoordelijk voor schade of verloren gegevens veroorzaakt door storing, misbruik, wijziging van het apparaat of vervanging van batterijen.
15. Onderbreek nooit de verbinding wanneer u het apparaat formatteert of bestanden overdraagt. De gegevens kunnen corrupt raken of verloren gaan.
16. Indien het apparaat een USB-afspeelfunctie heeft, moet de USB-stick rechtstreeks op het apparaat worden aangesloten. Gebruik geen USB-verlengkabel, dit kan leiden tot storingen met corrupte gegevens als gevolg.
17. Het label met nominale waarden is te vinden op het paneel aan de onder- of achterkant van het apparaat.
18. Het apparaat is niet bestemd voor gebruik door mensen (waaronder kinderen) met fysieke, zintuiglijke of geestelijke gebreken of gebrek aan kennis en ervaring, tenzij zij onder toezicht staan of instructies hebben over het juiste gebruik van het apparaat hebben gekregen van de persoon die verantwoordelijk is voor hun veiligheid.
19. Het apparaat is alleen voor niet-professioneel gebruik bedoeld en niet voor commercieel of industrieel gebruik.
20. Zorg dat het apparaat stabiel positie is opgesteld. Beschadigingen veroorzaakt door het gebruik van het apparaat in een onstabiele positie, trillingen of schokken of door het niet opvolgen van andere waarschuwingen of voorzorgsmaatregelen beschreven in deze gebruikershandleiding, worden niet gedekt door de garantie.
21. Verwijder nooit de behuizing van het apparaat.
22. Plaats het apparaat nooit op andere elektrische apparatuur.
23. Houd plastic zakken buiten het bereik van kinderen.
24. Gebruik uitsluitend hulpstukken/accessoires die door de fabrikant gespecificeerd zijn.
25. Laat alle reparaties over aan gekwalificeerd onderhoudspersoneel. Onderhoud is vereist als het apparaat op enige wijze is beschadigd, zoals bijvoorbeeld het netsnoer of de stekker, als er vloeistof of een voorwerp in het apparaat is terechtgekomen, als het apparaat is blootgesteld aan regen of vocht, als het niet normaal werkt of is gevallen.
26. Langdurige blootstelling aan harde geluiden van muzikspelers kan leiden tot tijdelijk of permanent gehoorverlies.
27. Als het apparaat wordt geleverd met een netsnoer of AC-voedingsadapter:
  - Koppel het netsnoer los als er problemen optreden en laat reparaties over aan gekwalificeerd onderhoudspersoneel.
  - Stap niet op de voedingsadapter en druk deze niet in. Wees voornamelijk voorzichtig in de buurt van de stekkers en het punt waar het netsnoer uit het apparaat komt. Plaats geen zware voorwerpen op de voedingsadapter om beschadiging te voorkomen. Houd het gehele apparaat buiten het bereik van kinderen! Kinderen kunnen ernstig letsel oplopen als zij met het netsnoer spelen.

- Haal de stekker uit het stopcontact tijdens onweer of wanneer u het apparaat langere tijd niet gebruikt.
  - Het stopcontact moet in de buurt van het apparaat zijn geïnstalleerd en eenvoudig te bereiken zijn.
  - Overbelast stopcontacten of verlengsnoeren niet. Overbelasting kan brand of een elektrische schok veroorzaken.
  - Apparaten met een klasse 1 constructie dienen te worden aangesloten op een stopcontact met een beschermende aarding.
  - Apparaten met een klasse 2 constructie vereisen geen aardving.
  - Houd altijd de stekker vast wanneer u deze uit het stopcontact trekt. Trek nooit aan het netsnoer. Dit kan tot een kortsluiting leiden.
  - Gebruik nooit een beschadigd netsnoer of stekker of een los stopcontact. Dit kan een risico op brand of een elektrische schok vormen.
28. Indien het apparaat knoopcelbatterijen bevat of wordt geleverd met een afstandsbediening die knoopcelbatterijen bevat:
- Waarschuwing:
- "Batterijen niet inslikken, chemisch brandgevaar" of gelijkwaardige werking.
  - [De afstandsbediening meegeleverd met] Dit apparaat bevat een knoopcelbatterij. Bij inslikking van de batterij kan deze in slechts 2 uur ernstige interne brandwonden veroorzaken en tot de dood leiden.
  - Houd nieuwe en gebruikte batterijen buiten het bereik van kinderen.
  - U mag het apparaat niet meer te gebruiken als het batterijvak niet kan worden gesloten. Tevens moet u dan het apparaat buiten het bereik van kinderen te houden.
  - U moet onmiddellijk medische hulp zoeken als u denkt dat er batterijen zijn ingeslikt of n een willekeurig lichaamsdeel terecht zijn gekomen.
29. Waarschuwing met betrekking tot het gebruik van batterijen:
- Er is een risico op explosiegevaar als de batterij onjuist wordt geplaatst. Vervang de batterij alleen door eenzelfde of vergelijkbaar type batterij.
  - Stel de batterij niet bloot aan extreem hoge of lage temperaturen of een lage luchtdruk op grote hoogte tijdens gebruik, opslag of transport.
  - Vervanging van een batterij door een incorrect type kan leiden tot een explosie of de lekkage van ontvlambare vloeistoffen of gas.
  - Verwijdering van een batterij in vuur of een hete oven of het mechanisch verpletteren of snijden van een batterij kan leiden tot een explosie.
  - Laat een batterij nooit achter in omgevingen met extreem hoge temperaturen, daar dit leiden tot een explosie of de lekkage van ontvlambare vloeistoffen of gas.
  - Stel een batterij nooit bloot aan een extreem lage luchtdruk, daar dit leiden tot een explosie of de lekkage van ontvlambare vloeistoffen of gas.
  - Denk aan het milieu bij het verwijderen van batterijen.

## **INSTALLATIE**

- Pak alle onderdelen uit en verwijder de beschermende materialen.
- Sluit het apparaat niet op een stopcontact aan, voordat u de netspanning hebt gecontroleerd en voordat alle andere aansluitingen zijn gemaakt.



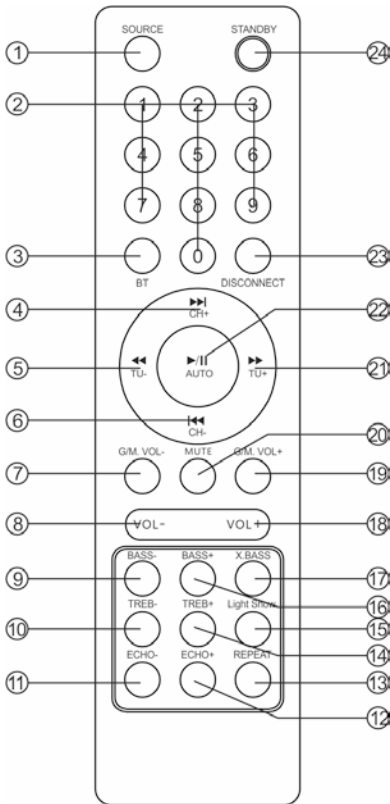
1. FM-ANTENNE: FM-ingang
2. DC-INGANG: DC-ingang.
3. MICROFOON: Ingang voor een bedrade microfoon
4. GITAAR: Gitaaringang
5. LIJNINGANG: Lijningang
6. OPLAADLAMPJE
7. USB: USB-ingang  
Belangrijk: De USB-poort is alleen bedoeld voor USB-sticks. Er kunnen geen andere apparaten worden aangesloten op de USB-poort. Het gebruik van USB-verlengkabels wordt niet aanbevolen.
8. AAN/UIT-SCHAKELAAR: Om het apparaat in- of uit te schakelen.
9. LEDSCHEM: Weergave van de luidsprekerstatus.
10. VOLUME/MULTI: Het hoofdvolume van de luidspreker of het volume van MICROFOON/GITAAR/ECHO verhogen of verlagen.
11. STANDBY: Als het apparaat enkele dagen of weken niet wordt gebruikt moet deze uitgeschakeld worden in plaats van op stand-by gezet worden.
12. SOURCE: Indrukken om de bron te wisselen tussen USB, BT (BLUETOOTH), FM en LINE (LIJNINGANG)
13. LIGHT MODE: Indrukken om de verlichtubgsmodus te wisselen tussen LED1, LED2, LED3, LED4 en OFF (UIT)
14. X DRIVE: Indrukken om de X-drive in of uit te schakelen voor meer BASS-effect.
15. PREV: Indrukken om in de USB-/BT-modus naar het vorige nummer te gaan. In de FM-modus ingedrukt houden om op het vorige kanaal af te stemmen, indrukken om verfynd af te stemmen.
16. PLAY/PAUSE/TWS: Indrukken om een nummer af te spelen of te pauzeren. In de FM-modus indrukken voor een volledige automatische scan. Ingedrukt houden om de TWS-modus (true wireless stereo) in of uit te schakelen.
17. NEXT: Indrukken om in de USB-/BT-modus naar het volgende nummer te gaan. In FM-modus ingedrukt houden om op het volgende kanaal af te stemmen, indrukken om verfynd af te stemmen.
18. MENU: Indrukken om het menu te wisselen tussen MIC/GUITAR VOLUME, ECHO VOLUME, BASS, TREBLE (MIC-/GITAARVOLUME, ECHOVOLUME, LAGE TONEN en HOGE TONEN).



Als er "25 10" op het ledscherm wordt weergegeven betekent dat het microfoon-/gitaarvolume op 10 is ingesteld. Draai de VOLUME/MULTI-knop om het volume op 0-30 in te stellen. Als er "E 10" op het ledscherm wordt weergegeven betekent dat het echovolume op 10 is ingesteld. Draai de VOLUME/MULTI-knop om het volume op 0-30 in te stellen.

Als er "b 00" op het ledscherm wordt weergegeven betekent dat de lage tonen op 00 is ingesteld. Draai de VOLUME/MULTI-knop om de lage tonen met  $\pm 6$  dB aan te passen.

Als er "t 00" op het ledscherm wordt weergegeven betekent dat de hoge tonen op 00 is ingesteld. Draai de VOLUME/MULTI-knop om de hoge tonen met  $\pm 6$  dB aan te passen.



- 1) **SOURCE:**  
Indrukken om de bron te wisselen tussen USB, LINE, BT (BLUETOOTJ) en FM.
- 2) **CIJFERTOETSEN 0 T/M 9:** Deze toetsen worden gebruikt om in USB-bronmodus direct een nummer af te spelen.  
Bijvoorbeeld: Om het 12e nummer van de USB-afspeellijst af te spelen, drukt u op cijfertoets "1", gevolgd door "2". Deze toetsen worden in de FM-modus gebruikt om opgeslagen kanalen te selecteren of zenderfrequenties direct in te voeren.
- 3) **BT:**  
Indrukken om de bluetooth-koppelingsmodus te openen.
- 4) **▶▶/CH+:**  
Speel het volgende nummer af door in de USB/BT-bronmodus op "▶▶/CH+" te drukken.  
Kies het volgende kanaal door in de FM-bronmodus op "▶▶/CH+" te drukken.
- 5) **◀◀/TU-:**  
Spoel een nummer terug door in de USB-bronmodus op "◀◀/TU-" te drukken.  
Pas de radiofrequentie aan door in de FM-bronmidus op "◀◀/TU-" te drukken.
- 6) **◀◀/CH-:**  
Speel het vorige nummer af door in de USB/BT-bronmodus op "◀◀/CH-" te drukken.  
Kies het vorige kanaal door in de FM-bronmodus op "◀◀/CH-" te drukken.
- 7) **GUITAR/MIC VOL:-** Het gitaar- en microfoonvolume verlagen.
- 8) **VOL-:** Het volume verlagen.
- 9) **BAS-:**  
Het effect van de lage tonen verlagen.

- 10) TREB-:  
Het effect van de hoge tonen verlagen.
- 11) ECHO-:  
Het echo-effect verlagen.
- 12) ECHO+: Het echo-effect verhogen.
- 13) REPEAT:  
Kies de gewenste herhaalmodus door in de USB-bronmodus meerdere keren op "REPEAT" te drukken.  
Herhalen, willekeurig, enkel, alle.
- 14) TREB+:  
Het effect van de hoge tonen verhogen.
- 15) LIGHT SHOW: Wissel de verlichtingsmodus tussen LED1, LED2, LED3, LED4 en OFF (UIT).
- 16) BAS+:  
Het effect van de lage tonen verhogen.
- 17) X.BASS:  
Het extra lage tonen effect in- en uitschakelen.
- 18) VOL+:  
Het volume verhogen.
- 19) GUITAR/MIC VOL+:  
Het gitaar- en microfoonvolume verhogen.
- 20) MUTE:  
Het luidsprekervolume te dempen/herstellen.
- 21) ►►/TU+:  
Spoel een nummer vooruit door in de USB-bronmodus op "►►/TU+" te drukken.  
Pas de radiofrequentie aan door in de FM-bronmodus op "►►/TU+" te drukken.
- 22) ►||/AUTO:
  - Afspelen/pauzeren in de USB-/BT-modus.
  - In de FM-modus indrukken voor een volledige automatische scan.
- 23) DISCONNECT: Ontkoppelen en koppelen van een nieuw apparaat door in de BT-modus in te drukken.
- 24) STANDBY:  
Stand-by in- en uitschakelen.

## **Bluetooth koppelen en verbinden**

- Schakel alle bluetooth-apparaten die eerder met het apparaat zijn gekoppeld (verbonden) uit.
- Activeer de bluetooth-functie op uw telefoon of muzikspeler.
- Schakel het apparaat in en stel deze in op de bluetooth-modus. Als er "BL" op het ledscherm knippert duidt dit op dat het apparaat in de koppelingsmodus is.
- Zoek met uw telefoon of muzikspeler naar bluetooth-apparaten.
- Selecteer "Lenco PA-200" uit de zoekresultaten op uw telefoon of muzikspeler.
- Selecteer OK of YES (JA) om het apparaat met uw telefoon of muzikspeler te koppelen.
- Voer "0000" in als er om een wachtwoord gevraagd wordt. Een brandend blauw lampje geeft aan dat de verbinding gelukt is.

## **TWS-modus (True Wireless Stereo)**

1. Schakel 2 PA-200's in en kies voor beide apparaten bluetooth als de bronmodus
2. Houd de "TWS"-toets op de luidspreker 2 seconden ingedrukt tot er "E 07" op het ledscherm wordt weergegeven. TWS is bezig met het verbinden met een andere luidspreker en is verbonden als een geluidsindicatie klinkt of als er op het ledscherm "BL" wordt weergegeven.
3. Schakel de bluetooth-functie op uw mobiele telefoon in om naar bluetooth-apparaten te zoeken. Selecteer "Lenco PA-200" uit de zoekresultaten. Selecteer OK (OK) of YES (JA) om het apparaat met uw mobiele telefoon te koppelen. Een brandend blauw licht geeft aan dat de verbinding gelukt is en u muziek vanaf uw mobiele telefoon kunt afspelen
4. Houd de "TWS"-toets op de luidspreker 2 seconden ingedrukt totdat er "E 0F" op het ledscherm wordt weergegeven om de TWS-functie uit te schakelen.

## **FM-radio**

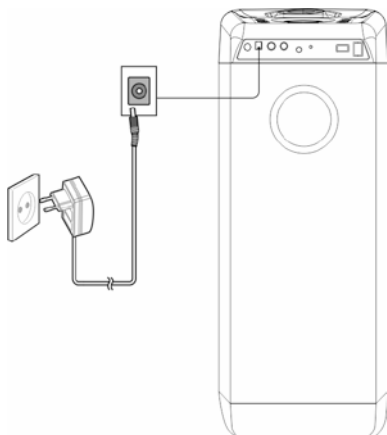
1. U moet de meegeleverde antenne aansluiten voordat u de radiofuncties kunt gebruiken. Stel de antenne af voor een optimale ontvangst.  
Druk meerdere malen op de "SOURCE"-toets om FM-modus te selecteren.
2. Druk op de "CH+/CH-"-toets op de afstandsbediening of houd de toets "◀/▶" op het bovenpaneel ingedrukt om naar de voorkeurzender te gaan.
3. Druk op de "TU+/TU"-toets op de afstandsbediening of op de "◀/▶"-toets op het bovenpaneel om de radiofrequentie handmatig in te stellen.  
Met de cijfertoetsen op de afstandsbediening kunt u direct de frequentie selecteren.
4. Druk op de "▶||"-toets op het bovenpaneel of de afstandsbediening om het apparaat zelf naar zenders te laten scannen, van de lage frequenties naar de hoge frequenties, en de zenders een voor een in het geheugen op te slaan.

## **BATTERIJ**

De batterij wordt automatisch opgeladen in de AC-modus (voedingsmodus). Een traag knipperend rood lampje betekent dat de batterij wordt opgeladen. Een groen lampje betekent dat de batterij volledig is opgeladen.

Een groen lampje in de DC-modus (batterijmodus) betekent dat de batterij volledig is opgeladen. Een rood lampje betekent dat de batterij bijna leeg is. Dit betekent dat de batterij onmiddellijk moet worden opgeladen, anders zal de luidspreker uitschakelen.

## Inschakelen



## SPECIFICATIES

Frequentierespons	-----38 Hz - 20 KHz
Voedingsbron	----- 100-240 V~, 50/60 Hz
Stroomverbruik	-----50 W
Uitgangsvermogen	-----100W
Bluetooth	----- V5.0
FM-radio	-----87,5 - 108 MHz
Afmetingen apparaat (B x D x H)	----- 24,0 x 24,5 x 60,5 cm
Grootte tweeter	----- 1x 1 inch
Grootte woofer	----- 1 x 5
inch Grootte subwoofer	----- 1 x 6,5
inch Gewicht van het apparaat	-----
5,9 kg Bedrijfstemperatuur	-----
10-40 °C	-----

- De specificaties dienen alleen ter een referentie. Het gewicht en de afmetingen zijn bij benadering opgegeven.
- Het apparaat wordt continu verbeterd. De specificaties en functies kunnen zonder voorafgaande kennisgeving aangepast worden.

## Voedingsadapter (alleen voor EU)

Fabrikant: GUANGZHOU GUANG ER ZHONG ELECTRONIC TECHNOLOGY CO.,LTD

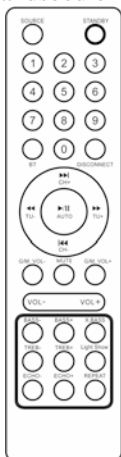
Modelnummer: GPUSW1301500WD00

Gebruik uitsluitend de in de gebruikershandleiding vermelde voedingsadapter

Informatie	Waarde en nauwkeurigheid
Naam of handelsmerk van de fabrikant, handelsregistratie en adres	
Modelaanduiding	13 V/1,5 A
Ingangsspanning	AC 100-240 V, DC 13 V
Ingangsfrequentie AC	50/60 Hz
Uitgangsspanning	13 V
Uitgangsstroom	1,5 A
Uitgangsvermogen	19,5 W
Gemiddelde actieve efficiëntie	80%
Efficiëntie bij lage belasting (10%)	75%
Verbruik onbelast vermogen	0,15 W

## Inbegrepen accessoires

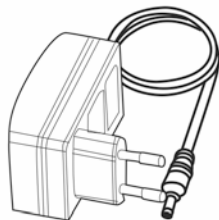
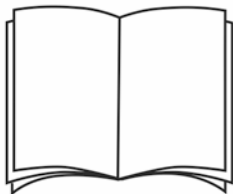
Afstandsbediening



Antenne



Gebruikershandleiding AC-adapter



### 1. Garantie

Lenco verstrekt service en garantie overeenkomstig de Europese wetgeving. Dit houdt in dat u, in het geval van reparaties (zowel tijdens als na de garantieperiode), contact moet opnemen met uw lokale dealer.

Belangrijke opmerking: het is niet mogelijk om apparaten die moeten worden gerepareerd rechtstreeks naar Lenco te sturen.

Belangrijke opmerking: de garantie vervalt als een onofficieel servicecentrum het apparaat op wat voor manier dan ook heeft geopend of er toegang tot heeft verkregen.

Het apparaat is niet geschikt voor professioneel gebruik. In het geval van professioneel gebruik worden alle garantieverplichtingen van de fabrikant nietig verklaard.

### 2. Disclaimer

Er worden regelmatig updates in de firmware en/of hardwarecomponenten doorgevoerd. Daardoor kunnen delen van de instructie, de specificaties en afbeeldingen in deze gebruikershandleiding enigszins verschillen van uw eigen situatie. Alle onderwerpen die staan beschreven in deze gebruikershandleiding zijn bedoeld ter illustratie en zijn niet van toepassing op specifieke situaties. Aan de beschrijving in deze gebruikershandleiding kunnen geen rechten worden ontleend.

### 3. Verwijdering van het oude apparaat



Dit symbool geeft aan dat het betreffende elektrische apparaat of de batterij niet mag worden verwijderd als algemeen huishoudelijk afval in Europa. Zorg voor een juiste afvalverwerking door het apparaat en de batterij in overeenstemming met alle van toepassing zijnde lokale wetten en voorschriften te verwijderen. Hierdoor helpt u het behoud van de natuurlijke bronnen en verbeterd u de normen van milieubescherming bij de behandeling en verwijdering van elektrisch afval (afgedankte elektrische en elektronische apparatuur).

### 4. CE-markering

Lenco Benelux B.V., Thermiekstraat 1a, 6361 HB Nuth, Nederland, verklaart hierbij dat dit apparaat voldoet aan de vereisten van de essentiële EU-richtlijnen.

De verklaring van conformiteit kan worden aangevraagd via [techdoc@commaxxgroup.com](mailto:techdoc@commaxxgroup.com)



### 5. Service

Ga voor meer informatie en helpdeskondersteuning naar [www.lenco.com](http://www.lenco.com)

Lenco Benelux BV, Thermiekstraat 1a, 6361 HB, Nuth, Nederland.

## **ACHTUNG:**

Wenn Bedienelemente oder Einstellungen genutzt oder Verfahren durchgeführt werden, die in dieser Bedienungsanleitung nicht angegeben sind, besteht die Gefahr einer Aussetzung gefährlicher Strahlung.

## **VORSICHTSMASSNAHMEN VOR DER BENUTZUNG**

---

### **BEFOLGEN SIE IMMER FOLGENDE ANWEISUNGEN:**

1. Blockieren oder verdecken Sie keine Lüftungsöffnungen. Wenn Sie das Gerät auf ein Regal stellen, lassen Sie um das gesamte Gerät 5 cm Freiraum.
2. Stellen Sie das Gerät entsprechend den Anweisungen der mitgelieferten Bedienungsanleitung auf.
3. Halten Sie das Gerät von Hitzequellen wie Radiatoren, Heizungen, Öfen, Kerzen oder anderen hitzeerzeugenden Produkten oder offenen Flammen fern. Das Gerät darf nur bei gemäßigttem Klima verwendet werden. Sehr kalte oder heiße Umgebungen sind zu vermeiden. Die Betriebstemperatur liegt zwischen 0 °C und 35 °C.
4. Meiden Sie bei der Benutzung des Produkts die Nähe starker Magnetfelder.
5. Elektrostatische Entladungen können die normale Benutzung dieses Gerätes stören. Sollte dies geschehen, führen Sie einfach einen Reset aus und starten Sie dann das Gerät entsprechend den Anweisungen dieser Bedienungsanleitung neu. Gehen Sie besonders bei Datenübertragungen vorsichtig mit dem Gerät um und führen Sie diese nur in einer Umgebung ohne statische Elektrizität aus.
6. Warnung! Niemals Gegenstände durch die Lüftungsschlitze oder Öffnungen in das Gerät stecken. In diesem Gerät fließt Hochspannung und das Hineinstecken von Gegenständen kann zu Stromschlag und/oder zum Kurzschluss interner elektrischer Bauteile führen. Spritzen/gießen Sie aus dem gleichen Grund kein Wasser oder andere Flüssigkeiten auf das Gerät.
7. Benutzen Sie das Gerät nicht in nasser oder feuchter Umgebung wie Bad, Dampfküche oder in der Nähe von Schwimmbecken.
8. Das Gerät darf weder Tropf- noch Spritzwasser ausgesetzt werden und es dürfen keine mit Flüssigkeit gefüllten Behälter wie z. B. Vasen auf das Gerät oder in die Nähe des Gerätes gestellt werden.
9. Benutzen Sie das Gerät nicht, wenn Kondensation entstehen kann. Wenn Sie das Gerät in einem warmen, feuchten Raum mit Dampf benutzen, können Wassertropfen oder Kondensation in das Gerät eindringen und u. U. zu Fehlfunktionen des Gerätes führen. Schalten Sie in diesem Fall das Gerät für 1 – 2 Stunden aus, bevor Sie es erneut einschalten, wobei Sie darauf achten sollten, dass das Gerät vollständig getrocknet ist, bevor Sie es wieder einschalten.
10. Obwohl dieses Gerät unter größter Sorgfalt hergestellt und vor Auslieferung mehrmals überprüft wurde, können trotzdem wie bei jedem anderen elektrischen Gerät auch Probleme auftauchen. Trennen Sie das Gerät bei Rauchentwicklung, starker Hitzeentwicklung oder jeder anderen unnatürlichen Erscheinung sofort vom Stromnetz.



11. Dieses Gerät ist durch eine Stromquelle wie auf dem Typenschild angegeben zu betreiben. Halten Sie bei Unsicherheiten über die Art Ihrer Stromversorgung in Ihrer Wohnung Rücksprache mit Ihrem Händler oder Ihrem Stromversorger.
12. Halten Sie das Gerät von Haustieren fern. Einige Nagetiere lieben es, an Netzkabeln zu nagen.
13. Benutzen Sie für die Reinigung ein weiches, trockenes Tuch. Benutzen Sie niemals Lösungsmittel oder Flüssigkeiten auf Ölbasis.  
Benutzen Sie zum Entfernen hartnäckiger Flecken ein feuchtes Tuch mit mildem Reinigungsmittel.
14. Der Hersteller haftet nicht für Beschädigungen oder Datenverluste durch Fehlfunktion, Zweckentfremdung oder Modifikation des Gerätes oder durch das Wechseln der Batterie.
15. Unterbrechen Sie die Verbindung nicht während einer Formatierung oder einer Datenübertragung. Bei Unterbrechung drohen Datenverlust und Datenbeschädigung.
16. Wenn das Gerät eine USB-Wiedergabefunktion besitzt, stecken Sie den USB-Stick direkt in das Gerät. Verwenden Sie kein USB-Verlängerungskabel, weil die erhöhte Störanfälligkeit zu Datenverlust führen kann.
17. Das Typenschild befindet sich an der Unter- oder Rückseite des Gerätes.
18. Dieses Gerät ist nicht zur Benutzung durch Personen (einschließlich Kinder) mit physischen, sensorischen oder mentalen Beeinträchtigungen oder ohne ausreichende Erfahrung vorgesehen, es sei denn, sie werden durch eine verantwortliche Person beaufsichtigt oder wurden in die ordnungsgemäße Bedienung des Gerätes durch eine für ihre Sicherheit verantwortliche Person eingewiesen.
19. Dieses Produkt ist nur für den nicht-professionellen Gebrauch und nicht für gewerbliche oder industrielle Zwecke bestimmt.
20. Stellen Sie sicher, dass das Gerät in einer stabilen Position aufgestellt ist. Schäden, die durch Verwendung dieses Produkts in einer instabilen Position, durch Vibrationen, Stöße oder Nichtbeachtung der anderen in diesem Handbuch enthaltenen Warnungen und Sicherheitsmaßnahmen entstehen, werden nicht durch die Garantie abgedeckt.
21. Entfernen Sie niemals das Gehäuse dieses Gerätes.
22. Stellen Sie dieses Gerät niemals auf andere elektrische Geräte.
23. Halten Sie Kinder von den Plastiktüten fern.
24. Benutzen Sie nur vom Hersteller spezifizierte Erweiterungen/Zubehörteile.
25. Lassen Sie alle Wartungs-/Reparaturarbeiten von qualifiziertem Servicepersonal ausführen. Reparatur/Wartung wird notwendig, wenn das Gerät in irgendeiner Weise wie beispielsweise am Netzkabel oder am Netzstecker beschädigt wurde oder wenn Flüssigkeit in das Gerät gelangt ist bzw. Gegenstände in das Gerät gefallen sind, das Gerät Regen oder Feuchtigkeit ausgesetzt war, es heruntergefallen ist oder nicht ordnungsgemäß funktioniert.
26. Langes Hören lauter Töne aus einem Musikgerät kann zu zeitweiligem oder permanentem Hörverlust führen.
27. Wenn zum Lieferumfang des Produkts ein Netzkabel oder ein Netzadapter gehört:
  - Wenn irgendwelche Probleme auftreten, trennen Sie das Gerät vom Stromnetz

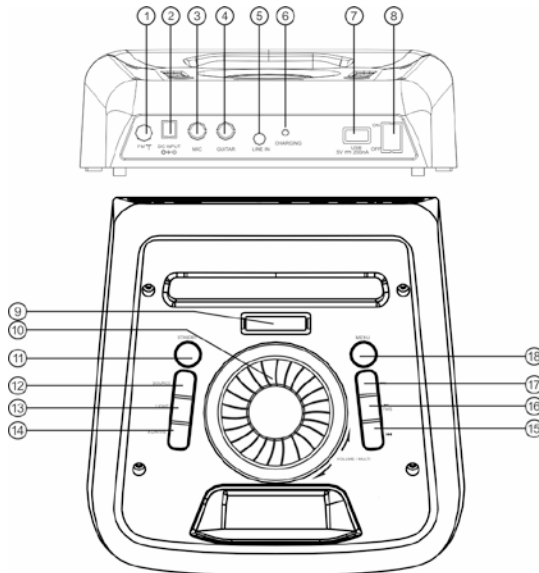
und setzen Sie sich anschließend mit einer qualifizierten Fachkraft in Verbindung.

- Treten Sie nicht auf den Netzadapter und klemmen Sie ihn auch nicht ein. Seien Sie besonders im näheren Bereich des Netzsteckers und an der Stelle vorsichtig, an der das Netzkabel aus dem Gerät herausgeführt wird. Stellen Sie keine schweren Gegenstände auf den Netzadapter, weil er dadurch beschädigt werden kann. Halten Sie das gesamte Gerät außerhalb der Reichweite von Kindern! Durch Spielen mit dem Netzkabel können sie sich ernsthafte Verletzungen zuziehen.
  - Trennen Sie das Gerät während eines Gewitters oder bei längerer Nichtbenutzung vom Stromnetz.
  - Die Netzsteckdose muss sich in der Nähe des Gerätes befinden und einfach zu erreichen sein.
  - Überlasten Sie Steckdosen und Verlängerungsleitungen nicht. Eine Überlastung kann zu Brandgefahr bzw. Stromschlag führen.
  - Geräte der Schutzklasse 1 müssen Sie an eine Netzsteckdose mit Schutzleiter anschließen.
  - Geräte der Schutzklasse 2 benötigen keinen Schutzleiteranschluss.
  - Greifen Sie am Netzstecker, wenn Sie den Netzadapter aus der Netzsteckdose ziehen. Ziehen Sie ihn nicht durch Zerren am Kabel heraus. Dies kann zu einem Kurzschluss führen.
  - Verwenden Sie weder ein beschädigtes Netzkabel noch einen beschädigten Netzstecker oder eine lockere Steckdose. Missachtung kann zu Brand oder Stromschlag führen.
28. Wenn das Produkt mit einer Fernbedienung mit Batterien/Knopfzellen geliefert wird oder das Produkt eine derartige Fernbedienung umfasst:
- Warnung:
- Die Batterie nicht einnehmen – Verätzungsgefahr!
  - Die mit diesem Produkt gelieferte Fernbedienung enthält eine Knopfzelle. Das Verschlucken der Batterie kann innerhalb von nur 2 Stunden zu schwersten inneren Verbrennungen mit Todesfolge führen.
  - Halten Sie neue und gebrauchte Batterien/Akkus von Kindern fern.
  - Falls sich das Batteriefach nicht richtig schließen lässt, benutzen Sie das Gerät nicht mehr und halten Sie es von Kindern fern.
  - Wenn Sie vermuten, dass Batterien(Akkus verschluckt oder in eine Körperöffnung eingeführt worden sind, dann suchen Sie umgehend eine(n) Ärztin/Arzt auf.
29. Warnhinweise bzgl. der Verwendung von Batterien/Akkus:
- Es besteht Explosionsgefahr, wenn der Akku nicht ordnungsgemäß ersetzt wird. Tauschen Sie den Akku nur gegen einen Akku des gleichen Typs aus.
  - Der Akku darf während der Benutzung, Aufbewahrung oder des Transports weder sehr hohen oder sehr niedrigen Temperaturen noch niedrigem Luftdruck in großen Höhenlagen ausgesetzt werden.
  - Die Auswechslung des Akkus mit einem falschen Akkutyp kann zum Explodieren der Batterie oder zum Entweichen von entflammbarem Gas oder





- Auslaufen von entflammbarer Flüssigkeit aus dem Akku führen.
- Die Entsorgung des Akkus in Feuer oder einem heißen Ofen oder das mechanische Zerkleinern oder Zerteilen des Akkus kann zu Explosionen führen.
  - Das Verbleiben des Akkus in einer Umgebung mit sehr hohen Temperaturen kann zum Explodieren des Akkus oder zum Entweichen von entflammbarem Gas oder zum Auslaufen von entflammbarer Flüssigkeit aus dem Akku führen.
  - Wenn ein Akku einem sehr niedrigen Luftdruck ausgesetzt wird, besteht die Gefahr, dass er explodiert, entflammbare Flüssigkeit oder entflammbares Gas austritt.
  - Legen Sie besonderes Augenmerk auf den ökologischen Aspekt der Akkuentorgung.

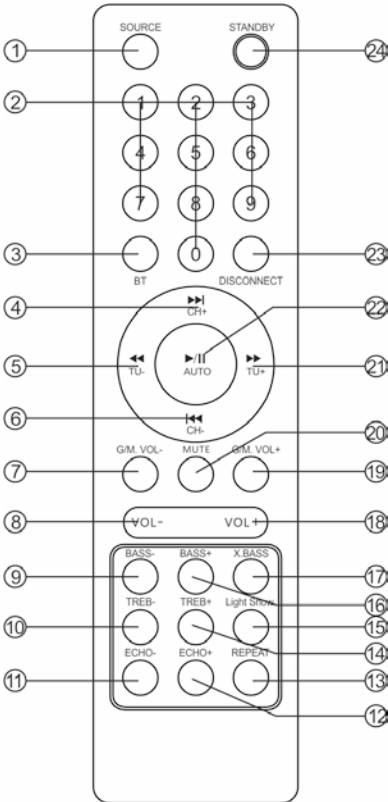
### **AUFSTELLEN**

- Packen Sie alle Teile aus und entfernen Sie danach die Schutzmaterialien.
- Schließen Sie das Gerät erst an das Stromnetz an, nachdem Sie die Netzspannung überprüft haben und alle anderen notwendigen Verbindungen hergestellt sind.

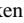






1. UKW-ANTENNE: UKW-Antennenanschlussbuchse
2. DC INPUT: Gleichspannungseingang
3. MIC: Kabelmikrofoneingangsbuchse
4. GUITAR: Gitarreneingangsbuchse
5. LINE-IN: Line-Eingangsbuchse
6. LADEANZEIGE-LED
7. USB: USB-Eingangsport  
Wichtig: Der USB-Port ist nur für den Anschluss von USB-Sticks bestimmt. Andere Geräte können mit diesem USB-Port nicht benutzt werden. Die Benutzung von USB-Verlängerungskabeln ist nicht empfehlenswert.
8. ON/OFF-SCHALTER: Schalter zum Ein/Ausschalten des Gerätes.
9. LED-DISPLAY: Anzeige des Lautsprecherstatus.
10. VOLUME/MULTI: Erhöhen oder Verringern der Lautsprechergesamtlautstärke oder der Mikrofon-, Gitarren- oder Echolautstärke.
11. STANDBY: Wenn Sie das Gerät für mehrere Tage oder Wochen nicht benutzen, ist es empfehlenswert, es anstelle des Standby auszuschalten.
12. QUELLE: Drücken Sie diese Taste, um einen der Signaleingänge USB, Bluetooth, UKW oder Line auszuwählen.
13. LIGHT: Drücken Sie diese Taste, um einen der Lichtmodi LED 1, LED 2, LED 3, LED 4 und AUS auszuwählen.
14. X DRIVE: Drücken Sie diese Taste, um die Tiefbassverstärkung für sattere Bässe zu aktivieren/deaktivieren.
15. ZURÜCK: Drücken Sie diese Taste, um im USB- oder Bluetooth-Modus zum vorherigen Titel zu springen. Halten Sie sie im UKW-Modus gedrückt, um den vorherigen Sender einzustellen, und drücken Sie sie, um die Feinabstimmung zu starten.
16. WIEDERGABE/PAUSE/TWS: Drücken Sie diese Taste, um einen Titel wiederzugeben oder die Wiedergabe zu pausieren. Drücken Sie diese Taste im UKW-Modus, um die vollautomatische Suche zu starten.

- Halten Sie diese Taste gedrückt, um den TWS-Modus (Modus für echtes kabelloses Stereo) ein- oder auszuschalten.
17. **VOR:** Drücken Sie diese Taste, um im USB- oder Bluetooth-Modus zum nächsten Titel zu springen. Halten Sie sie im UKW-Modus gedrückt, um den nächsten Sender einzustellen, und drücken Sie sie, um die Feinabstimmung zu starten.
18. **MENÜ:** Drücken Sie diese Taste, um im Menü zwischen MIKROFON- und GITARRENLAUTSTÄRKE, ECHOLAUTSTÄRKE, BÄSSE und HÖHEN auszuwählen.
- Die Anzeige „“ bedeutet: MIKROFON/GITARRENLAUTSTÄRKE STUFE 10; drehen Sie den VOLUME/MULTI-Drehregler, um einen Wert zwischen 0 und 30 einzustellen. Die Anzeige „“ bedeutet: ECHOLAUTSTÄRKE STUFE 10; drehen Sie den VOLUME/MULTI-Drehregler, um einen Wert zwischen 0 und 30 einzustellen.
- Die Anzeige „“ bedeutet: BÄSSE 00; drehen Sie den VOLUME/MULTI-Drehregler, um einen Wert zwischen  $\pm 6$  dB einzustellen.
- Die Anzeige „“ bedeutet: HÖHEN 00; drehen Sie den VOLUME/MULTI-Drehregler, um einen Wert zwischen  $\pm 6$  dB einzustellen.



- 1) **SOURCE**  
Drücken Sie diese Taste, um einen der Signaleingänge USB, LINE, Bluetooth oder UKW auszuwählen.
- 2) **Zifferntasten 0 – 9:** Benutzen Sie diese Tasten, um im USB-Modus den wiederzugebenden Titel direkt auszuwählen.  
Beispiel: Drücken Sie zum Wiedergeben des 12. Titels der USB-Wiedergabeliste die Zifferntaste „1“ gefolgt von „2“. Im UKW-Modus können Sie mit diesen Tasten den Senderspeicherplatz direkt aufrufen oder die Radiosenderfrequenz direkt eingeben.
- 3) **BT**  
Drücken Sie diese Taste, um in den Bluetooth-Kopplungsmodus zu wechseln.
- 4) **▶▶/CH+**  
Drücken Sie im USB-/Bluetooth-Modus die „▶▶/CH+“-Taste, um den nächsten Titel wiederzugeben.  
Drücken Sie im UKW-Modus die „▶▶/CH+“-Taste, um den nächsten Sender einzustellen.
- 5) **◀◀/TU+**  
Drücken Sie im Bluetooth-Modus die „◀◀/TU+“-Taste, um einen Titel schnell zurückzuspulen.  
Drücken Sie im UKW-Modus die „◀◀/TU+“-Taste, um die Radiosenderfrequenz einzustellen.
- 6) **◀◀/CH-**  
Drücken Sie im USB/Bluetooth-Modus die „◀◀/CH-“-Taste, um den vorherigen Titel wiederzugeben.

- Drücken Sie im UKW-Eingangsmodus die „CH-“-Taste, um den vorherigen Sender einzustellen.
- 7) G/M VOL-: Für die Verringerung der Gitarren- und Mikrofonlautstärke.
  - 8) VOL-: Drücken Sie diese Taste, um die Lautstärke zu verringern.
  - 9) BASS-  
Für die Verringerung des Bassanteils.
  - 10) TREB-  
Für die Verringerung des Höhenanteils.
  - 11) ECHO-  
Für die Verringerung des Echoanteils.
  - 12) ECHO+: Für die Erhöhung des Echoanteils.
  - 13) WIEDERHOLEN  
Drücken Sie im USB-Modus die REPEAT-Taste, um den Wiedergabewiederholungsmodus auszuwählen. Sie können aus Random (Zufall), Single (Einzeltitelwiederholung) und All (Gesamttitelwiederholung) wählen.
  - 14) TREB+  
Für die Erhöhung des Höhenanteils.
  - 15) LIGHT SHOW: Für das Umschalten zwischen den Lichtmodi LED 1, LED 2, LED 3, LED 4 oder AUS.
  - 16) BASS+  
Für die Erhöhung des Bassanteils.
  - 17) X.BASS  
Drücken Sie diese Taste, um den Superbass ein- oder auszuschalten.
  - 18) VOL+  
Drücken Sie diese Taste, um die Lautstärke zu erhöhen.
  - 19) G/M VOL+  
Für die Erhöhung der Gitarren- und Mikrofonlautstärke.
  - 20) MUTE  
Drücken Sie diese Taste, um die Klängausgabe stummzuschalten oder die Stummschaltung aufzuheben.
  - 21) /TU+  
Drücken Sie im USB-Modus die „/TU+“-Taste, um einen Titel schnell vorzuspulen.  
Drücken Sie im UKW-Modus die „/TU+“-Taste, um die Radiosenderfrequenz einzustellen.
  - 22) /AUTO
    - Drücken Sie diese Taste im USB-/Bluetooth-Modus, um einen Titel wiederzugeben oder die Wiedergabe zu pausieren.
    - Drücken Sie diese Taste im UKW-Modus, um die vollautomatische Suche zu starten.
  - 23) DISCONNECT: Drücken Sie diese Taste im Bluetooth-Modus, um ein neues Gerät zu koppeln oder ein gekoppeltes Gerät zu trennen.
  - 24) STANDBY  
Drücken Sie diese Taste, um in den Standby-Modus zu wechseln oder diesen wieder zu verlassen.

**Bluetooth koppeln und verbinden**

- Schalten Sie alle bereits vorher mit dem Lautsprecher gekoppelten (verbundenen) Bluetooth-Geräte aus.
- Aktivieren Sie die Bluetooth-Funktion Ihres Mobiltelefons oder Musikplayers.
- Schalten Sie den Lautsprecher ein und wechseln Sie dann in den Bluetooth-Modus. Das blinkende „BL“ am LED-Display zeigt an, dass sich das Gerät im Kopplungsmodus befindet.
- Suchen Sie mit Ihrem Mobiltelefon oder Musikplayer nach Bluetooth-Geräten.
- Wählen Sie aus der Liste gefundener Geräte Ihres Mobiltelefons oder Musikplayers „Lenco PA-200“ aus.
- Wählen Sie „OK“ oder „YES“ (Ja) aus, um den Lautsprecher mit Ihrem Mobiltelefon oder Musikplayer zu koppeln.
- Wenn erforderlich, geben Sie als Passwort „0000“ ein. Wenn die LED dauerhaft blau leuchtet, zeigt dies an, dass die Verbindung erfolgreich aufgebaut wurde.

**TWS-Modus (Modus für echtes kabelloses Stereo)**

1. Schalten Sie 2 PA-200 ein und wählen Sie bei beiden Geräten den Bluetooth-Modus aus.
2. Drücken Sie auf den Lautsprechern 2 s lang die TWS-Taste, woraufhin am Display „t 01“ angezeigt wird, was bedeutet, dass sich das jeweilige Gerät mit dem anderen Gerät verbindet. Wenn die Verbindung erfolgreich aufgebaut wurde, ertönt entweder ein Signaltone oder auf dem Display wird „BL“ angezeigt.
3. Aktivieren Sie die Bluetooth-Funktion Ihres Mobiltelefons und wählen Sie dann aus der Liste gefundener Bluetooth-Geräte „Lenco PA-200“ aus. Wählen Sie nun „OK“ oder „YES“ (Ja) aus, um Ihr Mobiltelefon mit diesem Gerät zu koppeln. Wenn die Verbindung erfolgreich aufgebaut wurde, leuchtet die LED dauerhaft blau. Jetzt können Sie über die Lautsprecher die Musik Ihres Mobiltelefons wiedergeben lassen.
4. Drücken Sie die TWS-Taste auf dem Lautsprecher 2 s lang, um den TWS-Modus zu deaktivieren, woraufhin auf dem Display „t 0F“ angezeigt wird.

**UKW-Radiobedienung**

1. Bevor Sie die Radiofunktion benutzen können, müssen Sie die mitgelieferte Antenne anbringen. Richten Sie die Antenne aus, um optimalen Empfang zu erhalten.  
Drücken Sie mehrmals die [SOURCE]-Taste, um den UKW-Modus auszuwählen.
2. Drücken Sie auf der Fernbedienung die CH+/CH--Taste oder halten Sie auf dem Bedienfeld des Lautsprechers die „◀/▶“-Taste gedrückt, um zu den Senderspeicherplätzen zu springen.
3. Drücken Sie auf der Fernbedienung die TU+/TU--Taste oder auf der Oberseite des Lautsprechers die „◀/▶“-Taste, um die Radiosenderfrequenz manuell einzustellen.  
Mit Hilfe der Zifferntasten der Fernbedienung können Sie die Radiosenderfrequenz direkt eingeben.
4. Drücken Sie die Taste „▶|“ auf der Oberseite des Lautsprechers oder an der Fernbedienung und das Gerät sucht von der niedrigsten bis zur höchsten Frequenz nach Radiosendern und speichert die gefundenen Sender nach und nach.

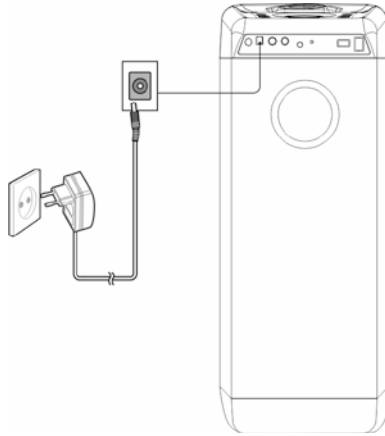


## AKKU

Im Netzmodus wird der Akku automatisch aufgeladen. Eine langsam rot blinkende LED zeigt an, dass der Akku geladen wird. Wenn der Akku vollständig geladen ist, leuchtet die LED grün.

Wenn die LED bei Akkubetrieb (Gleichspannungsmodus) grün leuchtet, zeigt das an, dass der Akku vollständig geladen ist. Wenn die Akkurestladung gering ist, leuchtet die LED rot. Dadurch wird darauf hingewiesen, dass Sie den Akku umgehend laden müssen, weil sich andernfalls der Lautsprecher ausschaltet.

## Am Stromnetz anschließen



## SPEZIFIKATIONEN

Frequenzgang	-----	38 Hz – 20 kHz
Stromquelle	-----	100 – 240 V Wechselspannung, 50/60 Hz
Leistungsaufnahme	-----	50 W
Musikausgangsleistung	-----	100W
Bluetooth	-----	V5.0
UKW-Radio	-----	87,5 – 108 MHz
Geräteabmessung (B x T x H)	-----	24 x 24,5 x 60,5 cm
Hochtönerabmessung	-----	1 x 1 Zoll
Basslautsprecherabmessung	-----	1 x 5 Zoll
Tiefbasslautsprecherabmessung	-----	1 x 5 Zoll
Gerätegewicht	-----	5,9 kg
Betriebstemperatur	-----	10 – 40 °C

- Diese Angaben dienen lediglich als Richtwerte. Die Gewichts- und Größenangaben sind Näherungswerte.
- Unser Produkt wird permanent weiterentwickelt und unterliegt bezüglich Spezifikationen und Funktionen stillschweigenden Änderungen.

## Netzadapter (nur für EU)

Hersteller: GUANGZHOU GUANG ER ZHONG ELECTRONIC TECHNOLOGY CO., LTD

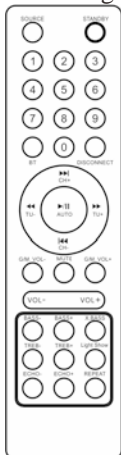
Modellnummer: GPUSW1301500WD00

Benutzen Sie nur die in der Bedienungsanleitung angegebene Stromversorgung

Information	Wert und Genauigkeit
Name und Marke des Herstellers, kommerzielle Registrierung und Anschrift	
Modellidentifikator	13 V/1,5 A
Eingangsspannung	100 – 240 V Wechselspannung, 13 V Gleichspannung
Wechselstromfrequenz des Netzeingangs	50/60 Hz
Ausgangsspannung	13 V
Ausgangsstrom	1,5 A
Ausgangsleistung	19,5 W
Durchschnittliche Effizienz bei Normlast	80 %
Effizienz bei Niederlast (10 %)	75 %
Leistungsaufnahme bei Nulllast	0,15 W

## Mitgelieferte Zubehörteile

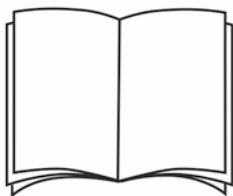
Fernbedienung



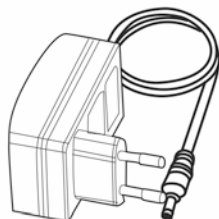
Antenne



Bedienungsanleitung



Netzadapter



## 1. Garantie

Lenco bietet Leistungen und Garantien im Einklang mit europäischem Recht. Setzen Sie sich deshalb im Falle von Reparaturen (sowohl während als auch nach Ablauf der Garantiezeit) mit Ihrem Fachhändler in Verbindung.

**Wichtiger Hinweis:** Es ist nicht möglich, Produkte für Reparaturen direkt an Lenco zu schicken.

**Wichtiger Hinweis:** Wenn dieses Gerät aus welchem Grund auch immer durch ein nicht offizielles Servicezentrum geöffnet oder durch dieses Servicezentrum darauf zugegriffen wurde, erlischt die Garantie.

Dieses Gerät ist nicht für professionelle Zwecke geeignet. Falls das Gerät für professionelle Zwecke eingesetzt wird, erlöschen alle Garantieverpflichtungen seitens des Herstellers.

## 2. Haftungsausschluss

Aktualisierungen der Firmware und/oder Hardware-Komponenten werden regelmäßig durchgeführt. Aus diesem Grund können einige der Anweisungen, Spezifikationen und Abbildungen in dieser Dokumentation von dem Ihnen vorliegenden Gerät geringfügig abweichen. Alle in diesem Handbuch beschriebenen Elemente dienen nur zur Illustration und treffen auf Ihre individuelle Situation möglicherweise nicht zu. Aus der in diesem Handbuch getätigten Beschreibung können keine Rechtsansprüche oder Leistungsanforderungen geltend gemacht werden.

## 3. Entsorgung des Altgerätes



Dieses Symbol zeigt an, dass das entsprechende Produkt oder dessen Akku/Batterie in Europa nicht mit dem normalen Hausmüll entsorgt werden dürfen. Um die ordnungsgemäße Abfallbehandlung des Produkts und dessen Akku/Batterie zu gewährleisten, müssen diese im Einklang mit allen anwendbaren örtlichen Vorschriften zur Entsorgung von Elektrogeräten und Akkus/Batterien entsorgt werden. Dadurch helfen Sie, natürliche Ressourcen zu schonen und Umweltschutzstandards zur Verwertung und Entsorgung von Altgeräten aufrechtzuerhalten (Richtlinie über Entsorgung elektrischer und elektronischer Altgeräte).

## 4. CE-Kennzeichen

Hiermit erklärt Lenco Benelux B.V., Thermiekstraat 1a, 6361 HB Nuth, The Netherlands, dass dieses Produkt den grundsätzlichen Anforderungen der EU-Richtlinie entspricht.

Die Konformitätserklärung kann unter folgendem Link abgerufen werden:

[techdoc@commaxxgroup.com](mailto:techdoc@commaxxgroup.com)



## 5. Service

Besuchen Sie bitte für weitere Informationen und unseren Kundendienst unsere Homepage

[www.lenco.com](http://www.lenco.com)

Lenco Benelux BV, Thermiekstraat 1a, 6361 HB Nuth, The Netherlands.

## **ATTENTION :**

L'utilisation de commandes ou de réglages ou l'exécution de procédures autres que ceux spécifiés dans ce manuel peut entraîner une exposition à des rayonnements dangereux.

## **PRÉCAUTIONS AVANT UTILISATION**

---

### **GARDEZ CES INSTRUCTIONS À L'ESPRIT :**

1. Ne couvrez pas et n'obtenez pas les ouvertures de ventilation. Lorsque vous placez l'appareil sur une étagère, laissez 5 cm d'espace libre tout autour de l'appareil.
2. Réalisez l'installation conformément au mode d'emploi fourni.
3. Gardez l'appareil à l'écart des sources de chaleur telles que radiateurs, appareils de chauffage, fours, bougies et autres produits générant de la chaleur ou une flamme nue. L'appareil ne peut être utilisé que dans des climats modérés. Les environnements extrêmement froids ou chauds doivent être évités. Température de fonctionnement entre 0 et 35 °C.
4. Évitez d'utiliser l'appareil à proximité de champs magnétiques puissants.
5. Des décharges électrostatiques peuvent perturber le fonctionnement normal de cet appareil. Dans ce cas, il suffit de réinitialiser et de redémarrer l'appareil en suivant le mode d'emploi. Pendant le transfert de fichiers, manipulez l'appareil avec précaution et faites-le fonctionner dans un environnement privé d'électricité statique.
6. Attention ! N'introduisez jamais d'objets dans l'appareil par les ouvertures et les fentes de ventilation. Étant donné que des tensions élevées sont présentes à l'intérieur du produit, l'insertion d'objets peut entraîner une électrocution ou court-circuiter les composants internes. Pour les mêmes raisons, ne versez pas de l'eau ou un liquide sur le produit.
7. Ne l'utilisez pas dans des endroits humides tels qu'une salle de bain, une cuisine pleine de vapeur ou à proximité d'une piscine.
8. L'appareil ne doit pas être exposé à des écoulements ou à des éclaboussures. Aucun objet contenant un liquide, tel qu'un vase, ne doit être posé sur ou près de l'appareil.
9. N'utilisez pas cet appareil lorsque de la condensation est possible. Lorsque vous utilisez l'appareil dans une pièce chaude et humide, des gouttelettes d'eau ou de la condensation peuvent se former à l'intérieur de l'appareil. Dans ce cas, l'appareil peut ne pas fonctionner correctement. Pour éviter tout risque, laissez l'appareil hors tension pendant 1 ou 2 heures avant de le mettre en marche : l'appareil doit être totalement sec avant de le mettre en marche.
10. Bien que cet appareil soit fabriqué avec le plus grand soin et contrôlé à plusieurs reprises avant de quitter l'usine, il est toujours possible que des problèmes se produisent, comme avec tous les équipements électriques. Si l'appareil émet de la

- fumée ou en cas d'accumulation excessive de chaleur ou l'apparition d'un phénomène inattendu, débranchez immédiatement la fiche d'alimentation du secteur.
11. Cet appareil doit fonctionner avec la source d'alimentation indiquée sur la plaque signalétique. Si vous n'êtes pas sûr du type d'alimentation utilisé chez vous, contactez votre revendeur ou le fournisseur local d'électricité.
  12. Tenez l'appareil à l'abri des animLINE. Certains animLINE adorent mordre les cordons d'alimentation.
  13. Pour nettoyer l'appareil, servez-vous d'un chiffon doux et sec. N'utilisez pas de solvant ni d'autre liquide à base de pétrole.  
Pour enlever les taches importantes, vous pouvez vous servir d'un chiffon humide imbibé d'une solution de détergent dilué.
  14. Le fournisseur n'est pas responsable des dommages ou pertes de données causés par un dysfonctionnement, une utilisation abusive, une modification de l'appareil ou un remplacement de la batterie.
  15. N'interrompez pas la connexion lorsque l'appareil formate ou transfère des fichiers. Dans le cas contraire, les données pourraient être endommagées ou perdues.
  16. Si l'appareil dispose d'une fonction de lecture USB, vous devrez brancher la clé USB directement sur l'appareil. N'utilisez pas un câble d'extension USB, car cela peut causer des interférences entraînant des pertes de données.
  17. La plaque signalétique se situe en dessous ou à l'arrière de l'appareil.
  18. Cet appareil ne doit pas être utilisé par des personnes (enfants compris) souffrant de handicaps physiques, sensoriels ou mentLINE, ou manquant d'expérience et de connaissances, sauf si elles sont sous surveillance ou ont reçu des instructions sur l'utilisation correcte de l'appareil par la personne qui est responsable de leur sécurité.
  19. Ce produit est conçu pour un usage non professionnel, et non commercial ou industriel.
  20. Vérifiez que l'appareil est en position stable. La garantie ne couvre pas les dégâts occasionnés par l'utilisation de cet appareil en position instable, par les vibrations, les chocs ou par la non-observation de tout autre avertissement ou précaution contenus dans ce mode d'emploi.
  21. N'ouvrez jamais cet appareil.
  22. Ne placez jamais cet appareil sur un autre équipement électrique.
  23. Ne laissez pas les sacs en plastique à la portée des enfants.
  24. Utilisez uniquement les accessoires recommandés par le fabricant.
  25. Confiez l'entretien et les réparations à un personnel qualifié. Une réparation est nécessaire lorsque l'appareil a été endommagé de quelque façon que ce soit, par exemple lorsque le cordon d'alimentation ou la prise sont endommagés, lorsqu'un liquide a été renversé ou des objets ont été introduits dans l'appareil, lorsque

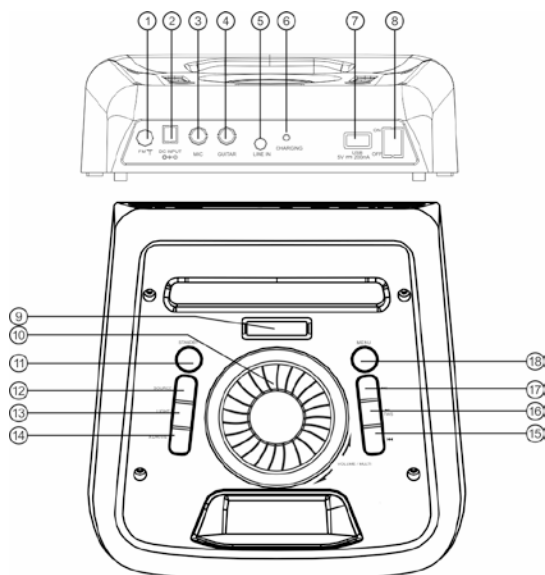
- l'appareil a été exposé à la pluie ou à l'humidité, lorsqu'il ne fonctionne pas correctement ou lorsque l'appareil est tombé.
26. Une exposition prolongée à la musique avec un volume élevé peut entraîner une perte auditive temporaire ou permanente.
27. Si l'appareil est livré avec un câble d'alimentation ou un adaptateur secteur :
- En cas de problème, débranchez le cordon d'alimentation du secteur et confiez l'entretien à du personnel qualifié.
  - Ne marchez pas sur l'adaptateur secteur ni le coincez. Faites très attention, en particulier près des fiches et du point de sortie du câble. Ne placez pas d'objets lourds sur l'adaptateur secteur, car vous risquez de l'endommager. Gardez l'appareil hors de portée des enfants ! Ils pourraient se blesser gravement s'ils jouent avec le câble d'alimentation.
  - Débranchez cet appareil pendant les orages ou lorsqu'il n'est pas utilisé pendant une longue durée.
  - La prise secteur doit être installée près de l'appareil et doit être facilement accessible.
  - Ne surchargez pas les prises de courant ni les rallonges. Une surcharge peut entraîner un incendie ou une électrocution.
  - Les appareils de classe 1 doivent être branchés à une prise de courant disposant d'une connexion protectrice à la terre.
  - Les appareils de classe 2 ne nécessitent pas de connexion à la terre.
  - Tirez toujours sur la fiche pour débrancher le cordon de la prise secteur. Ne tirez pas sur le cordon d'alimentation. Cela pourrait provoquer un court-circuit.
  - N'utilisez pas un cordon ou une fiche d'alimentation endommagés ni une prise desserrée. Vous courez un risque d'incendie ou de décharge électrique.
28. Si le produit contient ou est livré avec une télécommande contenant des piles boutons :
- Avertissement :
- « N'ingérez pas la pile, car vous risquez une brûlure chimique » ou une formule équivalente.
  - [La télécommande fournie avec] Ce produit contient une pile bouton. Si la pile est avalée, elle peut causer de graves brûlures internes en seulement 2 heures et peut entraîner la mort.
  - Tenez les piles neuves et usagées hors de portée des enfants.
  - Si le compartiment à piles ne se ferme pas correctement, cessez d'utiliser l'appareil et tenez-le hors de portée des enfants.
  - Si vous pensez que les piles ont été avalées ou placées à l'intérieur d'une partie du corps, consultez un médecin immédiatement.

29. Mise en garde relative à l'utilisation des piles :

- Risque d'explosion si la pile est mal remplacée. Remplacez les piles par des piles d'un type identique ou équivalent.
- Pendant l'utilisation, le stockage ou le transport, la pile ne doit pas être soumise à des températures extrêmement élevées ou basses, à une faible pression d'air à haute altitude.
- Le remplacement d'une pile par une autre de type incorrect peut entraîner une explosion ou une fuite de liquide ou de gaz inflammable.
- L'introduction d'une pile dans le feu ou dans un four chaud, l'écrasement ou le découpage mécanique peut entraîner une explosion.
- L'exposition d'une pile à un environnement à température extrêmement élevée peut entraîner une explosion ou une fuite de liquide ou de gaz inflammable.
- L'exposition d'une pile à une pression d'air extrêmement basse peut entraîner une explosion ou une fuite de liquide ou de gaz inflammable.
- Veuillez considérer les questions environnementales lors de la mise au rebut des piles.

## **INSTALLATION**

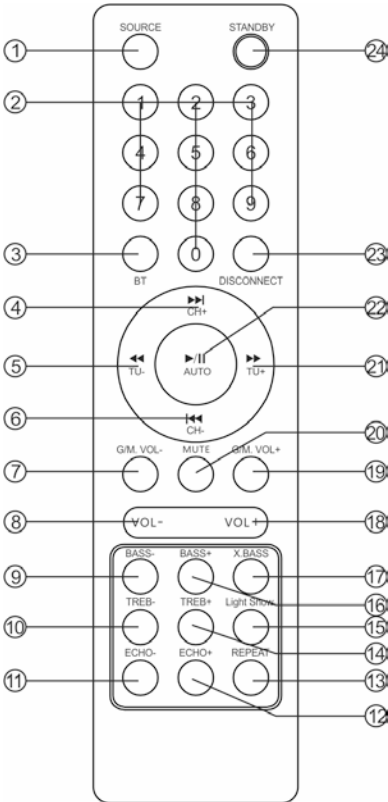
- Déballez toutes les pièces et enlevez le matériau de protection.
- Ne connectez pas l'unité au secteur avant d'avoir vérifié la tension du secteur et avant que toutes les autres connexions n'aient été effectuées.



1. ANTENNE FM : prise d'entrée FM
2. ENTRÉE CC : prise d'entrée CC
3. MICRO : prise d'entrée pour microphone filaire
4. GUITARE : prise d'entrée pour guitare
5. Entrée de ligne : prise d'entrée de ligne
6. VOYANT DE CHARGE
7. USB : port d'entrée USB  
Important : le port USB est conçu uniquement pour les clés USB ; d'autres dispositifs ne peuvent pas s'y connecter. Il est déconseillé d'utiliser des rallonges USB.
8. INTERRUPTEUR MARCHE/ARRÊT : allumer (ON) et éteindre (OFF) l'appareil.
9. ÉCRAN LED : afficher l'état des enceintes.
10. VOLUME/MULTI : augmenter ou baisser le volume principal des enceintes ou le volume du microphone, de la guitare ou de l'effet d'écho.
11. MISE EN VEILLE : si vous ne comptez pas utiliser l'appareil pendant quelques jours ou semaines, il est préférable de l'éteindre plutôt que de le mettre en veille.
12. SOURCE : appuyez sur cette touche pour changer la source entre USB, BT (Bluetooth), FM, LINE (Ligne).
13. MODES LIGHT : appuyez sur cette touche pour changer le jeu de lumière entre LED1, LED2, LED3, LED4, OFF (Éteint).
14. X DRIVE : appuyez sur cette touche pour activer (ON) ou désactiver (OFF) l'effet X Drive pour un effet de basses plus profond.
15. PRÉC : appuyez sur cette touche pour passer à la piste précédente dans le mode USB/Bluetooth. En mode FM, appuyez sur la touche et maintenez-la enfoncée pour syntoniser la chaîne précédente, appuyez à nouveau pour effectuer un réglage précis.
16. PLAY/PAUSE/TWS : appuyez sur cette touche pour lire une piste ou suspendre la lecture. En mode FM, appuyez sur cette touche pour lancer la recherche automatique complète.  
Appuyez sur la touche et maintenez-la enfoncée pour activer (ON) ou désactiver (OFF) le mode TWS (true wireless stereo).



17. SUIVANT : appuyez sur cette touche pour passer à la piste suivante en mode USB/Bluetooth. En mode FM, appuyez sur la touche et maintenez-la enfoncée pour syntoniser la chaîne suivante, appuyez à nouveau pour effectuer un réglage précis.
18. MENU : appuyez sur cette touche pour faire défiler les options de menu entre MIC/GUITAR VOLUME, ECHO VOLUME, BASS, TREBLE (VOLUME MICRO/GUITARE, VOLUME ÉCHO, GRAVES, AIGUS).
- L'affichage « 2 1 1 » renvoie à MIC/GUITAR VOL 10 ; tournez le bouton VOLUME/MULTI pour régler de 0 à 30. L'affichage « E 1 1 » renvoie à ECHO VOL 10 ; tournez le bouton VOLUME/MULTI pour régler de 0 à 30.
- L'affichage « b 0 0 » renvoie à BASS 00 ; tournez le bouton VOLUME/MULTI pour régler le gain à  $\pm 6$  dB.
- L'affichage « t 0 0 » renvoie à TREBLE 00 ; tournez le bouton VOLUME/MULTI pour régler le gain à  $\pm 6$  dB.



- 1) **SOURCE**  
Appuyez sur ce bouton pour faire basculer la source entre USB, LINE (LINEiliaire), BT (Bluetooth), FM.
- 2) **TOUCHES NUMÉRIQUES 0 à 9** : ces touches permettent de lire une piste directement en mode source USB. Par exemple : pour lire la 12<sup>e</sup> piste de la liste de lecture USB, appuyez sur la touche numérique « 1 » suivie de « 2 ». En mode FM, elles permettent de sélectionner la station enregistrée ou de saisir directement la fréquence de la station.
- 3) **BT**  
Appuyez sur cette touche pour passer en mode couplage Bluetooth.
- 4) **▶▶/CH+**  
Lisez la chanson suivante en appuyant sur la touche « ▶▶/CH+ » en mode d'entrée USB/Bluetooth.  
Réglez la station suivante en appuyant sur la touche « ▶▶/CH+ » en mode d'entrée FM.
- 5) **◀◀/TU-**  
Revenez rapidement en arrière dans une chanson en appuyant sur la touche « ◀◀/TU- » en mode d'entrée USB.  
Réglez la fréquence radio en appuyant sur la touche « ◀◀/TU- » en mode d'entrée FM.
- 6) **◀◀/CH-**  
Lisez la chanson précédente en appuyant sur la touche « ◀◀/CH- » en mode d'entrée USB/Bluetooth.  
Réglez la station précédente en appuyant sur la touche « ◀◀/CH- » en mode d'entrée FM.
- 7) **GUITAR/MIC VOL-** : pour baisser le volume de la guitare et du microphone.
- 8) **VOL-** : appuyez sur cette touche pour baisser le volume.
- 9) **BASS-**  
Pour diminuer l'effet des basses.
- 10) **TREB-**

- Pour diminuer l'effet des aigus.
- 11) ECHO-  
Pour diminuer l'effet de l'écho.
- 12) ECHO+ : pour augmenter l'effet de l'écho.
- 13) REPEAT  
Choisissez le mode de répétition en appuyant sur la touche « REPEAT » en mode d'entrée USB.  
Répétition aléatoire, d'un morceau, de tous les morceLINE.
- 14) TREB+  
Pour augmenter l'effet des aigus.
- 15) LIGHT SHOW : permet de changer le jeu de lumière entre LED1, LED2, LED3, LED4, OFF (DÉSACTIVÉ).
- 16) BASS+  
Pour augmenter l'effet des basses.
- 17) X.BASS  
Appuyez sur cette touche pour activer/désactiver l'effet de basse extrême.
- 18) VOL+  
Permet d'augmenter le volume.
- 19) GUITAR/MIC VOL+  
Pour augmenter le volume de la guitare et du microphone.
- 20) MUET  
Appuyez sur cette touche pour activer/désactiver le son du haut-parleur.
- 21) ►►/TU+  
Avancez rapidement dans la chanson en appuyant sur la touche « ►►/TU+ » en mode d'entrée USB.  
Réglez la fréquence radio en appuyant sur la touche « ►►/TU+ » en mode d'entrée FM.
- 22) ►||/AUTO
- Lecture/pause en mode USB/Bluetooth.
  - En mode FM, appuyez sur cette touche pour lancer la recherche automatique complète.
- 23) DISCONNECT : en mode Bluetooth, appuyez sur cette touche pour vous déconnecter et vous connecter à un nouvel appareil.
- 24) VEILLE  
Touche d'activation/de désactivation de la veille.

## Couplage Bluetooth et connexion

- Éteignez tous les appareils Bluetooth précédemment couplés (associés) à cet appareil.
- Activez la fonction Bluetooth sur votre téléphone ou votre lecteur audio.
- Mettez en marche cet appareil et réglez-le en mode Bluetooth. Le symbole clignotant « ๒L » à l'écran indique que l'appareil est en mode couplage.
- Recherchez les appareils Bluetooth à l'aide de votre téléphone ou du lecteur audio.
- Sélectionnez « Lenco PA-200 » dans les résultats de recherche sur votre téléphone ou lecteur audio.
- Sélectionnez OK ou YES (Oui) pour coupler cet appareil avec votre téléphone ou lecteur audio.
- Si un mot de passe est demandé, saisissez 0000. La connexion est établie si le voyant bleu reste allumé.

## Mode TWS (True Wireless Stereo)

1. Allumez 2 enceintes PA-200 et activez le mode Bluetooth en entrée sur les deux appareils.
2. Appuyez sur la touche « TWS » de l'enceinte pendant 2 secondes. L'écran affichera « ๒ ๐๑ ». La fonction TWS permet de connecter la seconde enceinte à la première. La connexion est considérée réussie après l'émission d'un signal sonore ou l'affichage de « ๒L » à l'écran.
3. Activez la fonction Bluetooth sur votre téléphone portable pour rechercher des appareils Bluetooth, puis sélectionnez « Lenco PA-200 » dans les résultats de la recherche. Sélectionnez OK ou YES (Oui) pour coupler cet appareil à vos téléphones portables. Un voyant bleu fixe indique que la connexion a réussi. La lecture de n'importe quelle musique est désormais possible à partir de vos téléphones portables.
4. Appuyez sur la touche « TWS » de l'enceinte pendant 2 secondes. Vous désactiverez ainsi la fonctionnalité TWS et l'écran affichera « ๒ ๐F ».

## Fonctionnement de la radio FM

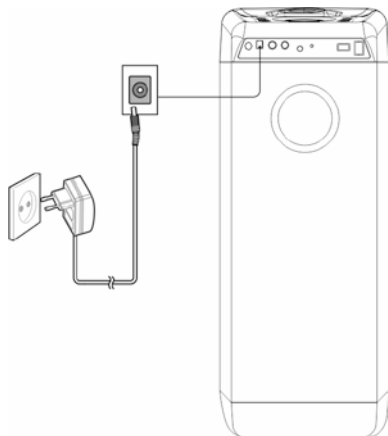
1. Avant d'utiliser les fonctions de la radio, vous devez fixer l'antenne fournie. Orientez l'antenne afin d'obtenir une bonne réception.  
Appuyez sur la touche [SOURCE] à plusieurs reprises pour sélectionner le mode FM.
2. Appuyez sur la touche CH+/CH- de la télécommande ou maintenez la touche « ๒/๒ » enfoncée sur le panneau supérieur pour passer à la station pré-réglée.
3. Appuyez sur la touche TU+/TU- de la télécommande ou sur la touche « ๒/๒ » du panneau supérieur pour régler manuellement la fréquence radio.  
Les touches numériques de la télécommande permettent de sélectionner directement la fréquence.
4. Appuyez sur la touche « ๒|๒ » du panneau supérieur ou de la télécommande, l'appareil balaie les stations radio des basses LINE hautes fréquences et les mémorise l'une après l'autre.

## BATTERIE

En mode d'alimentation secteur, la batterie se charge automatiquement. Le voyant allumé en rouge clignotant indique que la batterie se charge. Une fois la charge terminée, le voyant s'allume en vert.

En mode alimentation continue (batterie), le voyant allumé en vert indique que la charge de la batterie est complète. Si la charge de la batterie est faible, le voyant s'allume en rouge. Cela indique que la batterie doit être immédiatement chargée sinon l'enceinte s'éteindra.

## Mise en marche



## CARACTÉRISTIQUES

Réponse en fréquence	-----	38 Hz à 20 kHz
Source d'alimentation	-----	100 à 240 V~, 50/60 Hz
Puissance consommée	-----	50 W
Puissance de sortie	-----	100W
Bluetooth	-----	V 5.0
Radio FM	-----	87,5 à 108 MHz
Dimensions de l'appareil (L x P x H)	-----	24 x 24,5 x 60,5 cm
Taille du haut-parleur d'aigus	-----	1 x 1 pouce
Taille du haut-parleur	-----	1 x 5 pouces
Taille du caisson de basses	-----	1 x 6,5 pouces
Poids de l'appareil	-----	5,9 kg
Température de fonctionnement	-----	10 à 40 °C

- Les caractéristiques sont indiquées uniquement à titre indicatif. Les valeurs de poids et de taille sont des approximations.
- Étant donné que nous améliorons constamment nos produits, leurs caractéristiques et fonctions peuvent changer sans préavis.

## Adaptateur d'alimentation (uniquement pour l'Europe)

Fabricant : GUANGZHOU GUANG ER ZHONG ELECTRONIC TECHNOLOGY CO., LTD

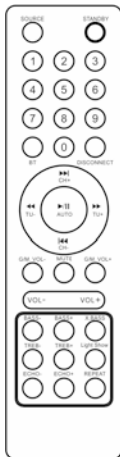
Numéro de modèle : GPUSW1301500WD00

Utilisez uniquement l'alimentation électrique indiquée dans le mode d'emploi.

Informations	Valeur et précision
Nom du fabricant ou marque commerciale, enregistrement commercial et adresse	
Référence du modèle	13 V/1,5 A
Tension d'entrée	100 à 240 V CA, 13 V CC
Fréquence d'entrée CA	50/60 Hz
Tension de sortie	13 V
Courant de sortie	1,5 A
Puissance de sortie	19,5 W
Rendement moyen en mode actif	80 %
Rendement à faible charge (10 %)	75 %
Consommation électrique sans charge	0,15 W

## Accessoires inclus

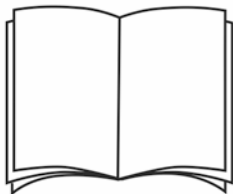
Télécommande



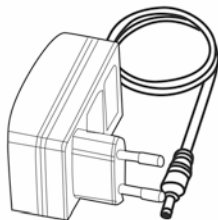
Antenne



Mode d'emploi



Adaptateur secteur



### 1. Garantie

Lenco propose un service et une garantie conformément à la législation européenne, ce qui signifie qu'en cas de besoin de réparation (aussi bien pendant et après la période de garantie), vous pouvez contacter votre revendeur le plus proche.

Remarque importante : il n'est pas possible de renvoyer l'appareil pour réparation directement à Lenco.

Remarque importante : si l'appareil est ouvert ou modifié de quelque manière que ce soit par un réparateur non agréé, la garantie sera caduque.

Cet appareil ne convient pas à une utilisation professionnelle. En cas d'utilisation professionnelle, les obligations de garantie du fabricant seront annulées.

### 2. Clause de non-responsabilité

Des mises à jour du logiciel ou des composants informatiques sont régulièrement effectuées. Il se peut donc que certaines instructions, caractéristiques et images présentes dans ce document diffèrent légèrement de votre configuration spécifique. Tous les articles décrits dans ce guide sont fournis uniquement à des fins d'illustration et peuvent ne pas s'appliquer à une configuration spécifique. Aucun droit légal ne peut être obtenu depuis les informations contenues dans ce manuel.

### 3. Mise au rebut de l'appareil usagé



Ce symbole indique que le produit électrique concerné ainsi que les piles ne doivent pas être jetés avec les autres déchets ménagers en Europe. Pour garantir un traitement correct des piles et de l'appareil usagés, veuillez les mettre au rebut conformément aux réglementations locales en vigueur relatives aux appareils électriques et autres piles. En agissant de la sorte, vous contribuerez à la préservation des ressources naturelles et à l'amélioration des niveaux de protection environnementale concernant le traitement et la destruction des déchets électriques (directive sur les déchets des équipements électriques et électroniques).

#### 4. Marquage CE

Par la présente, Lenco Benelux B.V., Thermiekstraat 1a, 6361 HB Nuth, Pays-Bas, déclare que ce produit est conforme LINE exigences principales des directives européennes.

La déclaration de conformité peut être consultée à l'adresse [techdoc@commaxxgroup.com](mailto:techdoc@commaxxgroup.com)



#### 5. Service après-vente

Pour en savoir plus et obtenir de l'assistance, visitez [www.lenco.com](http://www.lenco.com)

Lenco Benelux BV, Thermiekstraat 1a, 6361 HB, Nuth, Pays-Bas.



**PRECAUCIÓN:**

El uso de controles o ajustes, o llevar a cabo procedimientos distintos a aquellos aquí especificados puede tener como consecuencia una exposición peligrosa a la radiación.

**PRECAUCIONES PREVIAS AL USO**

---

**TENGA EN CUENTA ESTAS INSTRUCCIONES:**

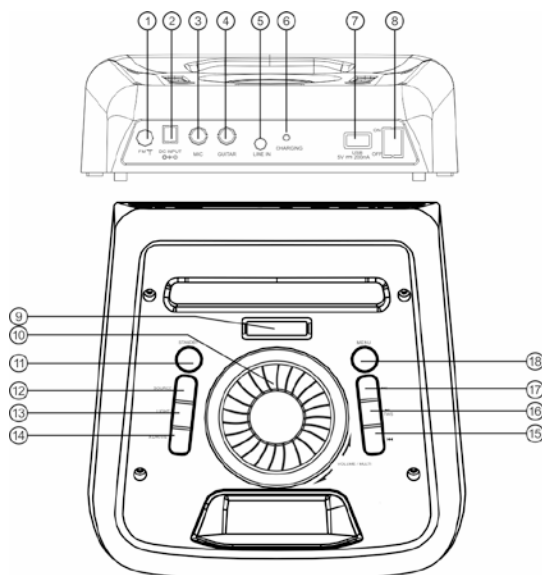
1. No cubra o bloquee ninguna apertura de ventilación. Cuando coloque el dispositivo en una estantería, deje 5 cm (2”) de espacio libre alrededor de todo el dispositivo.
2. Instálelo conforme al manual de usuario que se adjunta.
3. Mantenga el aparato alejado de fuentes de calor, como radiadores, calentadores, estufas, velas u otros productos que generen calor o llama viva. El aparato solo puede usarse en climas moderados. Se deben evitar los ambientes extremadamente fríos o cálidos. Temperatura de funcionamiento entre 0 y 35 °C.
4. Evite usar el dispositivo cerca de campos magnéticos fuertes.
5. Una descarga electrostática puede entorpecer el uso normal de este dispositivo. En tal caso, simplemente reinícielo siguiendo el manual de instrucciones. Durante la transmisión de archivos, por favor manéjelo con cuidado en un entorno libre de electricidad estática.
6. ¡Advertencia! Nunca inserte un objeto en el producto a través de las ventilaciones o aberturas. El producto está sometido a un alto voltaje e insertar un objeto puede provocar una descarga eléctrica y/o un cortocircuito de sus componentes internos. Por el mismo motivo, no derrame agua o líquidos en el producto.
7. No lo utilice en zonas húmedas, como cuartos de baño, cocinas en las que se forme vapor ni cerca de piscinas.
8. El aparato no debe exponerse a goteos o salpicaduras y asegúrese de que no se colocan objetos llenos de líquidos, como jarrones, sobre el aparato o cerca de él.
9. No use este dispositivo cuando se pueda producir condensación. Cuando utilice la unidad en una habitación húmeda y cálida, pueden generarse gotas de agua o condensación dentro de la unidad y es posible que no funcione correctamente; apague la unidad durante 1 o 2 horas antes de encenderla de nuevo: el aparato debe estar seco antes de conectarse a una fuente de alimentación.
10. Aunque este dispositivo está fabricado con el máximo cuidado y comprobado varias veces antes de salir de fábrica, todavía es posible que se produzcan problemas, al igual que con todos los aparatos eléctricos. Si observa la aparición de humo, una acumulación excesiva de calor o cualquier otro fenómeno inesperado, deberá desconectar inmediatamente el enchufe de la toma de corriente.
11. Este dispositivo debe funcionar con una fuente de alimentación que se especifica en la etiqueta de especificaciones. Si no está seguro del tipo de alimentación que se usa en su hogar, consulte con el distribuidor o una compañía eléctrica local.
12. Manténgalo alejado de los animales. A algunos animales les gusta morder los cables de alimentación.
13. Para limpiar el dispositivo use un paño seco y suave. No utilice líquidos disolventes ni con base de petróleo.

- Para eliminar manchas difíciles, puede usar un paño húmedo con detergente diluido.
14. El proveedor no asume ninguna responsabilidad por daños o datos perdidos provocados por el mal funcionamiento, el uso incorrecto, la modificación del dispositivo o la sustitución de la batería.
  15. No interrumpa la conexión cuando el dispositivo esté formateando o transfiriendo archivos. En caso contrario, los datos se pueden estropear o perder.
  16. Si la unidad dispone de función de reproducción USB, se debe conectar la memoria USB directamente en la unidad. No utilice cables de extensión USB ya que pueden crear interferencias que causen una pérdida de datos.
  17. La etiqueta de clasificación aparece marcada en el panel inferior o posterior del dispositivo.
  18. Este aparato no está diseñado para que lo utilicen personas (incluidos niños) con discapacidades físicas, sensoriales o mentales o con falta de experiencia o conocimientos, salvo que estén bajo la supervisión de la persona responsable de su seguridad o hayan recibido formación sobre el uso correcto del dispositivo.
  19. Este producto está diseñado para un uso no profesional únicamente y no para un uso comercial o industrial.
  20. Asegúrese de que la unidad esté fijada en una posición estable. La garantía no cubrirá los daños derivados de usar este producto en una posición inestable, vibraciones o golpes o por no seguir otras advertencias o precauciones que aparecen en este manual de usuario.
  21. Nunca retire la carcasa del dispositivo.
  22. Nunca coloque este dispositivo sobre otro equipo eléctrico.
  23. Mantenga las bolsas de plástico fuera del alcance de los niños.
  24. Use únicamente los dispositivos/accesorios especificados por el fabricante.
  25. Remita todas las reparaciones al personal cualificado. Es necesario el mantenimiento cuando el dispositivo presenta algún tipo de daño, como en el cable de alimentación o en el enchufe, cuando se haya vertido líquido o se hayan caído objetos en el dispositivo, cuando el dispositivo se haya expuesto a la lluvia o humedad, cuando no funcione normalmente o cuando se haya caído.
  26. La exposición prolongada a sonidos elevados de reproductores de música personales puede provocar una pérdida de audición temporal o permanente.
  27. Si el producto viene con un cable de alimentación o un adaptador de corriente de CA:
    - Si se produce cualquier problema, desconecte el cable de alimentación CA y diríjase al personal cualificado para su reparación.
    - No pise o pince el adaptador de alimentación. Tenga mucho cuidado, en especial cerca de las tomas y el punto de salida del cable. No coloque objetos pesados en el adaptador de alimentación, ya que pueden dañarlo. ¡Mantenga el dispositivo fuera del alcance de los niños! Si juegan con el cable de alimentación, puede sufrir lesiones graves.
    - Desconecte el dispositivo durante tormentas eléctricas o cuando no vaya a usarse durante periodos prolongados de tiempo.
    - La salida de la toma debe instalarse cerca del equipo y debe ser fácilmente accesible.

- No sobrecargue las tomas CA o los cables de extensión. La sobrecarga puede provocar un incendio o una descarga eléctrica.
  - Los dispositivos con construcción de Clase 1 deben estar conectados a una toma de corriente con una conexión a tierra.
  - Los dispositivos con construcción de Clase 2 no requieren una conexión a tierra.
  - Sujete siempre el enchufe cuando lo extraiga de la toma de corriente. No tire del cable de alimentación. Esto puede provocar un cortocircuito.
  - No utilice un cable de alimentación o enchufe deteriorado o una toma suelta. Si lo hace, podría provocar un incendio o una descarga eléctrica.
28. Si el producto contiene o se entrega con un mando a distancia que contiene pilas de botón:
- Advertencia:
- «No ingiera la pila, riesgo de quemadura química» o daño equivalente.
  - [El mando a distancia que se suministra] Este producto contiene una pila de tipo botón. Si la pila se traga, puede provocar graves quemaduras internas en solo 2 horas y podría ocasionar la muerte.
  - Mantenga las pilas nuevas o usadas fuera del alcance de los niños.
  - Si el compartimento de las pilas no se cierra correctamente, deje de usar el producto y manténgalo fuera del alcance de los niños.
  - Si tiene la sospecha de que una pila ha sido ingerida o se encuentra en algún lugar del cuerpo, busque inmediatamente atención médica.
29. Precaución sobre el uso de las pilas:
- Existe riesgo de explosión si la pila no se sustituye correctamente. Sustitúyala únicamente con otra del mismo tipo u otro equivalente.
  - No se pueden exponer las pilas a temperaturas extremadamente altas o bajas, baja presión de aire a gran altitud durante el uso, almacenamiento o transporte.
  - Si cambia las pilas por otras que no son las correctas, se puede producir una explosión o la fuga de líquidos o gases inflamables.
  - Si arroja las pilas al fuego o a un horno caliente, o aplasta o corta una pila, podría provocar una explosión.
  - Si deja las pilas en un lugar con temperaturas extremadamente altas, se puede producir una explosión o una fuga de líquidos o gases inflamables.
  - Si se exponen las pilas a una presión de aire extremadamente baja, se puede producir una explosión o la fuga de líquidos o gases inflamables.
  - Se debe prestar atención a los aspectos medioambientales sobre la eliminación de las baterías.



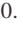

## INSTALACIÓN

- Desembale todas las piezas y retire el material protector.
- No conecte la unidad a la corriente eléctrica antes de comprobar la tensión de la corriente y antes de que se hayan hecho todas las demás conexiones.



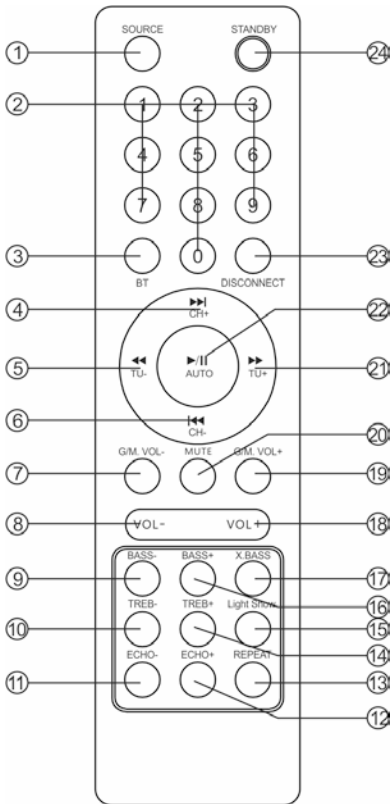
1. ANTENA FM: Toma de entrada FM
2. ALIMENTACIÓN CC: Toma de entrada CC.
3. MICRÓFONO: Toma de entrada de micrófono con cable
4. GUITARRA: Toma de entrada de la guitarra
5. Entrada de línea: Toma de entrada de línea
6. LUZ DE CARGA
7. USB: Toma de entrada USB  
 Importante: El puerto USB tiene como finalidad únicamente el uso de memorias USB; no se pueden usar otros dispositivos con esta conexión USB. No se recomienda el uso de cables de extensión USB.
8. INTERRUPTOR DE CORRIENTE Cambiar el interruptor entre ON (encendido) y OFF (apagado).
9. PANTALLA LED: Mostrar el estado del altavoz.
10. VOLUMEN/MULTI: Aumente o disminuya el volumen del altavoz principal o el volumen del MICRÓFONO, la GUITARRA o el ECO.
11. ESPERA: Si no va a usar el dispositivo durante varios días o semanas, mejor APAGARLO que dejarlo en ESPERA.
12. FUENTE: Pulse para cambiar la fuente entre USB, BT, FM y LÍNEA.
13. MODO DE LUZ: Pulse para cambiar el modo de luz entre LED1, LED2, LED3, LED4 y OFF (apagado)
14. DRIVE X: Pulse para encender (ON) o apagar (OFF) Drive X y así conseguir un mayor efecto de BAJO.
15. ANTERIOR: Pulse esta tecla para ir a la pista anterior en el modo USB/BT. En el modo FM, manténgala pulsada para sintonizar el canal anterior y púlsela para ajustarlo.
16. REPRODUCIR/PAUSA/TWS: Pulse para reproducir o pausar una pista. En el modo FM, pulse para realizar una búsqueda completa automática.  
 Manténgalo pulsado para encender o apagar el modo TWS (auténtico estéreo inalámbrico).
17. SIGUIENTE: Pulse esta tecla para ir a la siguiente pista en el modo USB/BT. En el modo FM, mantenga pulsado para sintonizar el siguiente canal y pulse para ajustarlo.
18. MENÚ: Pulse esta tecla para cambiar el menú entre VOLUMEN DE MICRÓFONO Y GUITARRA,

VOLUMEN DE ECO, BAJOS y AGUDOS.

Muestra « !» para MICRÓFONO/GUITARRA VOL 10; gire el mando VOLUMEN/MULTI para ajustar de 0 a 30. Muestra « !» para ECO VOL 10; gire el mando VOLUMEN/MULTI para ajustar de 0 a 30.

Muestra « » para BAJO 00; gire el mando VOLUMEN/MULTI para ajustar  $\pm 6$  dB.

Muestra « » para AGUDOS 00; gire el mando VOLUMEN/MULTI para ajustar  $\pm 6$  dB.



- 1) **FUENTE**  
Pulse para cambiar la fuente entre USB, LINE, BT y FM.
- 2) **TECLAS NUMÉRICAS 0-9:** Estas teclas se usan para reproducir una pista directamente en el modo de fuente USB.  
Ejemplo: Para reproducir la pista 12 en la lista de reproducción USB, pulse la tecla numérica «1» seguida de «2». En FM, para seleccionar el canal guardado o la frecuencia de la emisora de entrada directamente
- 3) **BT:**  
Púlselo para entrar en el modo de emparejamiento Bluetooth.
- 4) **▶▶/CANAL +**  
Reproduce la canción siguiente pulsando «▶▶/CH+» en el modo de entrada USB/BT.  
Ajusta el siguiente canal pulsando «▶▶/CH+» en el modo de entrada FM.
- 5) **◀◀/TU-**  
Rebobina rápidamente una canción pulsando «◀◀/TU-» en el modo de entrada USB.  
Ajusta la frecuencia de radio pulsando «◀◀/TU-» en el modo de entrada FM.
- 6) **◀◀/CANAL -**  
Reproduce la canción anterior pulsando «◀◀/CH-» en el modo de entrada USB/BT.  
Ajusta el canal anterior pulsando «◀◀/CH-» en el modo de entrada FM.
- 7) **GUITAR/MIC VOL-:** Para disminuir el volumen de la guitarra y del micrófono.
- 8) **VOL-:** Para disminuir el volumen.
- 9) **BASE-**  
Para disminuir el efecto de bajo.
- 10) **TREB-:**

- Para disminuir el efecto de los agudos.
- 11) ECO-  
Para disminuir el efecto del eco.
- 12) ECHO+: Para aumentar el efecto del eco.
- 13) REPETIR  
Elija el modo repetir pulsando «REPEAT» en el modo de entrada USB.  
Repetición aleatoria, individual, todo.
- 14) TREB+:  
Para aumentar el efecto de los agudos.
- 15) LIGHT SHOW: Para cambiar el modo de luz entre LED1, LED2, LED3, LED4 y OFF (apagado)
- 16) BASE+  
Para aumentar el efecto del bajo.
- 17) X.BASS  
Pulse esta tecla para conectar/desconectar el efecto de bajo extra.
- 18) VOL+  
Para aumentar el volumen.
- 19) GUITAR/MIC VOL+:  
Para aumentar el volumen de la guitarra y del micrófono.
- 20) SILENCIO  
Pulse esta tecla para para SILENCIAR/DAR VOLUMEN al volumen del altavoz.
- 21) ►►/TU +  
Avanza rápidamente una canción pulsando «►►/TU+» en el modo de entrada USB.  
Ajusta la frecuencia de radio pulsando «►►/TU+» en el modo de entrada FM.
- 22) ►||/AUTO  
  - Reproduce/hace una pausa en el modo USB/BT.
  - En el modo FM, pulse para realizar una búsqueda completa automática.
- 23) DISCONNECT: En BT, pulse para desconectar y emparejar con un nuevo dispositivo.
- 24) ESPERA  
Tecla de en espera conectado / desconectado.

**Emparejamiento y conexión Bluetooth**

- Desconecte cualquier dispositivo Bluetooth emparejado previamente (vinculado) con esta unidad.
- Conecte la propiedad Bluetooth de su teléfono o reproductor de música.
- Conecte y fije esta unidad en modo Bluetooth. El parpadeo: «BL» en la pantalla LED indica que está en modo de emparejamiento.
- Configure su teléfono o reproductor de música para que busque los dispositivos Bluetooth.
- Seleccione «Lenco PA-200» de los resultados de la búsqueda en el teléfono o reproductor de música.
- Seleccione OK o YES (SÍ) para emparejar esta unidad con su teléfono o reproductor de música.
- Si está protegido, introduzca 0000 como contraseña; la luz azul constante indica que la conexión se ha realizado correctamente.

**Modo TWS (Auténtico Inalámbrico Estéreo)**

1. Encienda el PA-200 y seleccione el modo de ENTRADA Bluetooth en ambas unidades.
2. Pulse la tecla «TWS» del altavoz durante 2 segundos; mostrará «TWS» en la pantalla; TWS se está conectando a otro equipo de altavoces y se conectará correctamente tras una indicación de sonido o si la pantalla muestra «BL».
3. Active la función Bluetooth del teléfono móvil para buscar dispositivos Bluetooth y seleccione «Lenco PA-200» de los resultados de la búsqueda; seleccione OK o YES (SÍ) para emparejar esta unidad con los teléfonos móviles y una luz azul constante indicará que la conexión es correcta y que puede reproducir música desde sus teléfonos móviles.
4. Pulse la tecla «TWS» en la unidad del altavoz durante 2 segundos y se deshabilitarán las funciones TWS tras mostrar «TWS» en la pantalla.

**Funcionamiento de la radio FM**

1. Antes de usar las funciones de la radio, debe adjuntar la antena que se suministra. Ajuste la antena para obtener una recepción óptima.  
Pulse [SOURCE] de forma reiterada para seleccionar el modo FM.
2. Pulse la tecla CH+/CH- en el mando a distancia o mantenga pulsada la tecla «CH+» en el panel superior para saltar a la emisora presintonizada.
3. Pulse la tecla TU+/TU- del mando a distancia o pulse la tecla «TU+» en el panel superior para ajustar la frecuencia de radio manualmente.  
La tecla numérica del mando a distancia puede seleccionar directamente la frecuencia.
4. Pulse la tecla «FM» situada en el panel superior o en el mando a distancia; la máquina buscará automáticamente los canales de radio desde las frecuencias bajas a las altas y memorizará los canales uno a uno.

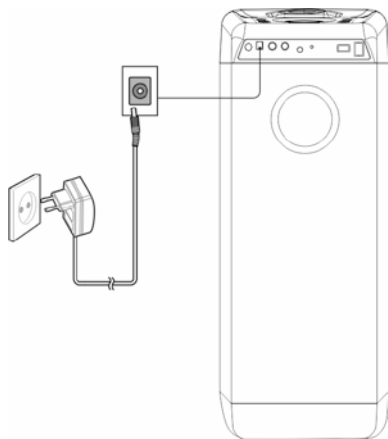


## BATERÍA

En modo CA (alimentación), la batería se cargará automáticamente. Una luz roja que parpadea lentamente indica que la batería se está cargando. Cuando esté completamente cargada, se mostrará una luz verde.

En modo CC (batería), una luz verde indica que el nivel de batería está completo. Si el nivel de batería es bajo, se mostrará una luz roja. Esto indica que se debe cargar la batería inmediatamente o el altavoz se apagará.

## Encendido



## ESPECIFICACIONES

Respuesta de frecuencia	38 Hz-20 KHz
Alimentación	100-240 V~, 50/60 Hz
Consumo energético	50
W Potencia de salida	100W
Bluetooth	V5.0
Radio FM	87,5-108
MHz Tamaño de la unidad (An. x Pr. x Al.)	24 x 24,5 x
60,5 cm Tamaño del altavoz de agudos	2,5
x 2,5 cm Tamaño del woofer	2,5
x 12,7 cm Tamaño del subwoofer	
2,5 x 16,5 cm	Peso de la unidad
	5,9 kg
funcionamiento	10-40 °C

- La especificación se presenta solo como referencia. Los valores del peso y del tamaño son aproximados.
- Nuestro producto se mejora constantemente y las especificaciones y funciones pueden cambiarse sin previo aviso.

## Adaptador de corriente (solo para la UE)

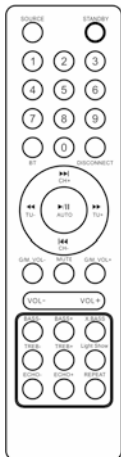
Fabricante: GUANGZHOU GUANG ER ZHONG ELECTRONIC TECHNOLOGY CO., LTD Número de modelo: GPUSW1301500WD00

Utilice únicamente la fuente de alimentación indicada en las instrucciones de uso

Información	Valor y precisión
Nombre del fabricante o marca registrada, registro comercial y dirección	
Identificador del modelo	13 V/1,5 A
Tensión de entrada	CA 100-240 V, CC 13 V
Frecuencia CA de entrada	50/60 HZ
Tensión de salida	13 V
Corriente de salida	1,5 A
Potencia de salida	19,5 W
Eficiencia activa media	80 %
Eficiencia a carga baja (10 %)	75 %
Consumo energético sin carga	0,15 W

## Accesorios incluidos

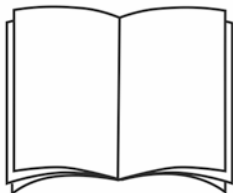
Mando a distancia



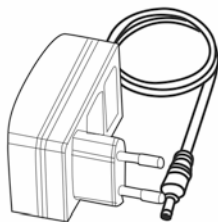
Antena



Manual del usuario



Adaptador CA



## 1. Garantía

Lenco ofrece servicio y garantía en cumplimiento con las leyes de la Unión Europea, lo cual implica que, en caso de que necesite reparar el aparato (tanto durante el periodo de garantía como después), deberá contactar directamente con su distribuidor.

Nota importante: No es posible enviar directamente a Lenco los aparatos que necesiten reparación.

Nota importante: Si la unidad es abierta por un centro de servicio no oficial, la garantía quedará anulada.

Este aparato no es adecuado para el uso profesional. En caso de darle un uso profesional, todas las obligaciones de garantía del fabricante quedarán anuladas.

## 2. Exención de responsabilidad

Regularmente se llevan a cabo actualizaciones en el Firmware y en los componentes del hardware. Por esta razón, algunas de las instrucciones, especificaciones e imágenes incluidas en este documento pueden diferir ligeramente respecto a su situación particular. Todos los elementos descritos en esta guía son a título meramente ilustrativo, y puede que no se apliquen a su situación particular. No se puede obtener ningún beneficio ni derecho legal a partir de la descripción hecha en este manual.

## 3. Eliminación del antiguo dispositivo



Este símbolo indica que no deberá deshacerse del producto eléctrico o batería en cuestión junto con los residuos domésticos, en el ámbito de la UE. Para garantizar un tratamiento residual correcto del producto y su batería, por favor, elimínelos cumpliendo con las leyes locales aplicables sobre requisitos para el desecho de equipos eléctricos y baterías. De hacerlo, ayudará a conservar los recursos naturales y a mejorar los estándares de protección medioambiental en el tratamiento y la eliminación de los residuos eléctricos (Directiva sobre Residuos de Aparatos Eléctricos y Electrónicos).

#### 4. Marca CE

Por la presente, Lenco Benelux B.V., Thermiekstraat 1a, 6361 HB Nuth, Países Bajos, declara que este producto cumple con las exigencias esenciales de las directivas de la UE.

Se puede consultar la declaración de conformidad a través de [techdoc@commaxxgroup.com](mailto:techdoc@commaxxgroup.com)



#### 5. Servicio

Para obtener más información y soporte del departamento técnico, por favor, visite la página web [www.lenco.com](http://www.lenco.com)

Lenco Benelux BV, Thermiekstraat 1a, 6361 HB, Nuth, Países Bajos.