

# Lenco

Model:PA-260BK



User Manual-Bluetooth party speaker with disco ball and front lighting  
and 2 wireless microphones

Handleiding- Bluetooth-feestluidspreker met discobal en frontverlichting en  
2 draadloze microfoons

Bedienungsanleitung- Bluetooth-Partylautsprecher mit Disco-Kugel,  
Frontbeleuchtung und 2 Drahtlosmikrofone

Mode d'emploi- Enceinte Bluetooth avec boule disco, éclairage frontal et  
2 microphones sans fil

Manual del usuario-Altavoz Bluetooth para fiestas con bola de discoteca e  
iluminación delantera y 2 micrófonos inalámbricos

# Index

English .....	3
Nederlands .....	13
Deutsch.....	25
Français.....	37
Español.....	49

Version : 1.0

**CAUTION:**

Usage of controls or adjustments or performance of procedures other than those specified herein may result in hazardous radiation exposure.

**PRECAUTIONS BEFORE USE**

---

**KEEP THESE INSTRUCTIONS IN MIND:**

1. Do not cover or block any ventilation openings. When placing the device on a shelf, leave 5 cm (2") free space around the whole device.
2. Install in accordance with the supplied user manual.
3. Keep the device away from heat sources such as radiators, heaters, stoves, candles and other heat-generating products or naked flame. The device can only be used in moderate climates. Extremely cold or warm environments should be avoided. Working temperature between 0° and 35°C.
4. Avoid using the device near strong magnetic fields.
5. Electrostatic discharge can disturb normal usage of this device. If so, simply reset and restart the device following the instruction manual. During file transmission, please handle with care and operate in a static-free environment.
6. Warning! Never insert an object into the product through the vents or openings. High voltage flows through the product and inserting an object can cause electric shock and/or short circuit internal parts. For the same reason, do not spill water or liquid on the product.
7. Do not use in wet or moist areas such as bathrooms, steamy kitchens or near swimming pools.
8. The device shall not be exposed to dripping or splashing and make sure that no objects filled with liquids, such as vases, are placed on or near the apparatus.
9. Do not use this device when condensation may occur. When the unit is used in a warm wet room with damp, water droplets or condensation may occur inside the unit and the unit may not function properly; let the unit stand in power OFF for 1 or 2 hours before turning on the power: the unit should be dry before getting any power.
10. Although this device is manufactured with the utmost care and checked several times before leaving the factory, it is still possible that problems may occur, as with all electrical appliances. If you notice smoke, an excessive build-up of heat or any other unexpected phenomena, you should disconnect the plug from the main power socket immediately.
11. This device must operate on a power source as specified on the specification label. If you are not sure of the type of power supply used in your home, consult your dealer or local power company.
12. Keep away from animals. Some animals enjoy biting on power cords.
13. To clean the device, use a soft dry cloth. Do not use solvents or petrol based fluids. To remove severe stains, you may use a damp cloth with dilute detergent.
14. The supplier is not responsible for damage or lost data caused by malfunction, misuse, modification of the device or battery replacement.

15. Do not interrupt the connection when the device is formatting or transferring files. Otherwise, data may be corrupted or lost.
16. If the unit has USB playback function, the USB memory stick should be plugged into the unit directly. Don't use an USB extension cable because it can cause interference resulting in failing of data.
17. The rating label has been marked on the bottom or back panel of the device.
18. This device is not intended for use by people (including children) with physical, sensory or mental disabilities, or a lack of experience and knowledge, unless they're under supervision or have received instructions about the correct use of the device by the person who is responsible for their safety.
19. This product is intended for non professional use only and not for commercial or industrial use.
20. Make sure the unit is adjusted to a stable position. Damage caused by using this product in an unstable position vibrations or shocks or by failure to follow any other warning or precaution contained within this user manual will not be covered by warranty.
21. Never remove the casing of this device.
22. Never place this device on other electrical equipment.
23. Do not allow children access to plastic bags.
24. Only use attachments/accessories specified by the manufacturer.
25. Refer all servicing to qualified service personnel. Servicing is required when the device has been damaged in any way, such as the power supply cord or the plug, when liquid has been spilled or objects have fallen into the device, when the device has been exposed to rain or moisture, does not operate normally, or has been dropped.
26. Long exposure to loud sounds from personal music players may lead to temporary or permanent hearing loss.
27. If the product is delivered with power cable or AC power adaptor:
  - If any trouble occurs, disconnect the AC power cord and refer servicing to qualified personnel.
  - Don't step on or pinch the power adaptor. Be very careful, particularly near the plugs and the cable's exit point. Do not place heavy items on the power adaptor, which may damage it. Keep the entire device out of children's reach! When playing with the power cable, they can seriously injure themselves.
  - Unplug this device during lightning storms or when unused for a long period.
  - The socket outlet must be installed near the equipment and must be easily accessible.
  - Do not overload ac outlets or extension cords. Overloading can cause fire or electric shock.
  - Devices with class 1 construction should be connected to a main socket outlet with a protective earthed connection.
  - Devices with class 2 construction do not require an earthed connection.

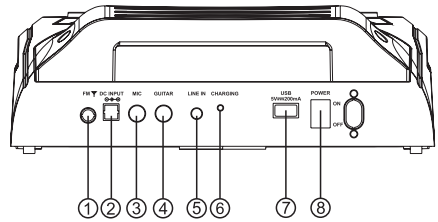
- Always hold the plug when pulling it out of the main supply socket. Do not pull the power cord. This can cause a short circuit.
  - Do not use a damaged power cord or plug or a loose outlet. Doing so may result in fire or electric shock.
28. If the product contains or is delivered with a remote control containing coin/cell batteries:
- Warning:
- “Do not ingest battery, Chemical Burn Hazard” or equivalent warning.
  - [The remote control supplied with] This product contains a coin/button cell battery. If the battery is swallowed, it can cause severe internal burns in just 2 hours and can lead to death.
  - Keep new and used batteries away from children.
  - If the battery compartment does not close securely, stop using the product and keep it away from children.
  - If you think batteries might have been swallowed or placed inside any part of the body, seek immediate medical attention.
29. Caution about the use of Batteries:
- Danger of explosion if battery is incorrectly replaced. Replace only with the same or equivalent type.
  - Battery cannot be subjected to high or low extreme temperatures, low air pressure at high altitude during use, storage or transportation.
  - Replacement of a battery with an incorrect type that can result in an explosion or the leakage of flammable liquid or gas.
  - Disposal of a battery into fire or a hot oven, or mechanically crushing or cutting of a battery, that can result in an explosion.
  - Leaving a battery in an extremely high temperature surrounding environment that can result in an explosion or that leakage of flammable liquid or gas.
  - A battery subjected to extremely low air pressure that may result in an explosion or the leakage of flammable liquid or gas.
  - Attention should be drawn to the environmental aspects of battery disposal.

## **INSTALLATION**

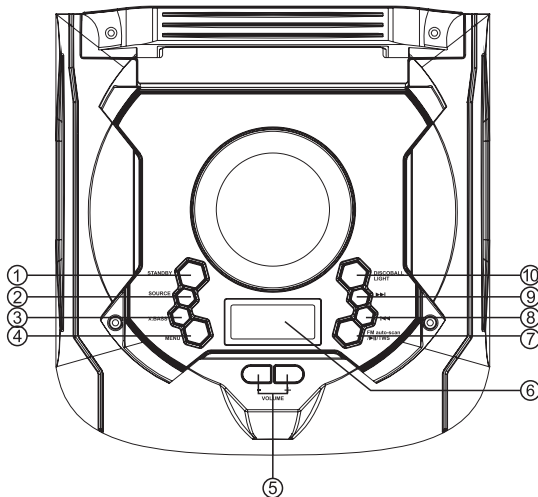
- Unpack all parts and remove protective material.
- Do not connect the unit to the mains before checking the mains voltage and before all other connections have been made.

## REAR PANEL

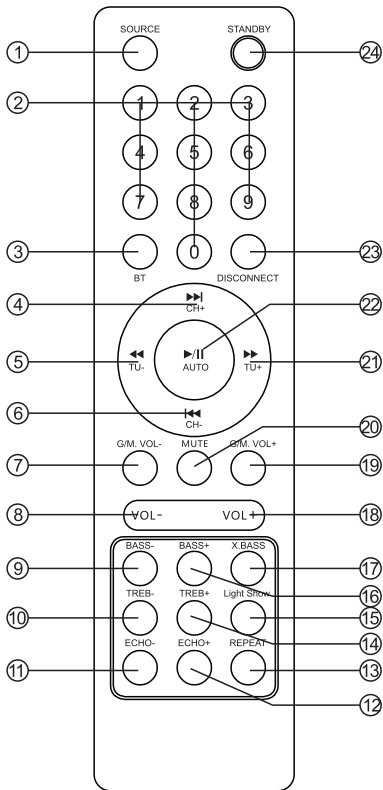
1. FMAntenna
2. DC INPUT
3. MIC: Wired Mic input socket
4. GUITAR: Guitar input socket
5. LINE-IN: Line-in input socket
6. Charging Light
7. USB: USB input socket
8. POWER SWITCH: Press this switch to turn the unit ON or OFF



## TOPPANEL



1. STANDBY: Press and hold for Standby, ON, and OFF.
2. SOURCE: Press this key to change the sources between USB, BT, FM, LINE.
3. X.BASS: Press the key to turn the extra bass effect ON/OFF.
4. MENU: Press this key to change the menu between MIC, GUITAR, VOLUME, ECHO VOLUME, BASS, TREBLE.
5. VOLUME +/-: To adjust the levels.
6. LED DISPLAY: To display speaker status.
7. FM auto -scan/▶||/TWS: In FM mode, press for the fully automatic search. Press to PLAY/PAUSE a track at USB/BT input mode. Press and hold on to change the TWS (true wireless stereo) mode on or off.
8. ◀◀: To play the previous song at USB/BT input mode.
9. ▶▶: To play the next song at USB/BT input mode.
10. DISCOBALL/LIGHT: Hold this key to DISOBALL on or off. Press to change the front speaker light mode between LED1,LED2,LED3,LED4,OFF.



- 1) **SOURCE**  
Press to change the source between USB, AUX, BT, FM
- 2) **0~9 NUMERIC KEYS** These keys are used to play a track directly in USB source mode.  
Eg: To play 12th track in the USB playlist press the numeric key "1" followed by "2". In FM, to select saved channel, or input station frequency directly
- 3) **BT** Press to enter Bluetooth pairing mode.
- 4) **▶▶|/CH+**  
Play the next song by pressing "▶▶|/CH+" at USB/BT input mode.  
Adjust next channel by pressing "▶▶|/CH+" at FM input mode.
- 5) **◀◀/TU-**  
Fast rewind a song by pressing "◀◀/TU-" at USB input mode.  
Adjust radio frequency by pressing "◀◀/TU-" at FM input mode.

- 6) **◀◀/CH-**  
Play the previous song by pressing "◀◀/CH-" at USB BT input mode.  
Adjust previous channel by pressing "◀◀/CH-" at FM input mode.
- 7) **GUITER/MIC VOL-** To decrease the guitar and MIC volume.
- 8) **VOL-** To decrease the volume.
- 9) **BASS-** To decrease the bass effect.
- 10) **TREB-** To decrease the Treble effect.
- 11) **ECHO-** To decrease the echo effect.
- 12) **ECHO+** To increase the echo effect
- 13) **REPEAT**  
Choose repeat mode by pressing "REPEAT" at USB input mode.  
Repeat random, single, all.
- 14) **TREB+** To increase the Treble effect.
- 15) **LED SHOW**  
To change the light mode between LED1, LED2, LED3, LED4, OFF.
- 16) **BASS+** To increase the bass effect.
- 17) **X.BASS**  
Press this key to turn ON/OFF the extra bass effect.
- 18) **VOL+** To increase the volume.
- 19) **GUITER/MIC VOL+**  
To increase the GUITER and MIC volume.
- 20) **MUTE**  
Press this key to MUTE/UNMUTE the speaker volume.
- 21) **▶▶/TU+**  
Fast forward song by pressing "▶▶/TU+" at USB input mode.  
Adjust radio frequency by pressing "▶▶/TU+" at FM input mode.
- 22) **▶▶|/AUTO**
  - Play / pause in USB/BT mode.
  - In FM mode press for the full automatic search.
- 23) **DISCONNECT** In BT, Press to disconnect and pair with a new device.
- 24) **STANDBY**  
Stand by ON/OFF key.

## Bluetooth pair and connect

- Turn off any Bluetooth devices previously paired (linked) with this unit.
- Turn on the Bluetooth feature on your phone or music player.
- Turn on and set this unit to Bluetooth mode. The flashing "bt" on LED display indicates it is in pairing mode.
- Set your phone or music player to search for Bluetooth devices.
- Select "Lenco PA-260" from search results on your phone or music player.
- Select OK or YES to pair this unit with your phone or music player.
- If protected, enter 0000 for passkey steady blue light indicates successful connection.
- Hold pair key to disconnect current connection and enter pairing mode.

"This product has a bluetooth **reception** function, **you can not transmit any bluetooth sound with it**: this means that you can receive wirelessly a bluetooth sound signal from an external source like a smartphone."

## TWS (True Wireless Stereo) mode

1. Turn on 2 PA-260 equipments and select both unit INPUT mode as Bluetooth.
2. Press "TWS" key on speaker set for 2 seconds, it will show "TWS" on display, TWS is connecting to another speaker equipment and will connect successfully after sound indication or display shows "TWS".
3. Turn on your Bluetooth feature on your mobile phone to search Bluetooth devices and select "Lenco PA-260" from the search result, select OK or YES to pair this unit with your mobile phones and a steady blue light will indicate the connection is successful and can play any music from your mobile phones.
4. Press "TWS" key on speaker unit for 2 seconds and it will turn off TWS features after shows "TWS" on display.

(The "LEFT" channel will be the speaker A, the other speaker will be the "RIGHT" channel.)

## FM Radio Operation

1. Before using the radio functions, you must attach the supplied antenna. Adjust the antenna to obtain optimum reception.  
Press [SOURCE] repeatedly to select FM mode.
2. Press the CH+/CH- key on the remote control or Hold the key "◀◀/▶▶" on the top panel to skip to the preset station.
3. Press the TU+/TU- key on the remote control or press the key "◀◀/▶▶" on the top panel to adjust the radio frequency manually.  
The number key on the remote control can directly select the frequency. Such as enter "88.1" keys for 88.1MHz, "104.0" keys for 104.0MHz.
4. Press the PLAY key on the remote control or Press the key "▶▶" on the top panel, the machine will scan radio channels from low-frequency to high-frequency by itself and memorize the channels one by one.

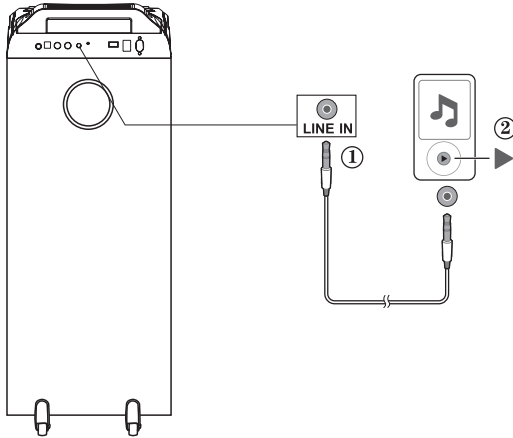


**BATTERY**

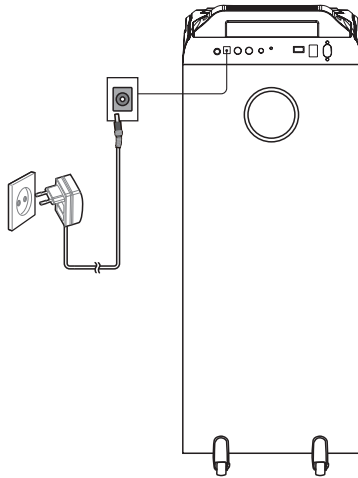
In AC (power) mode the battery will automatically charge. A slow red flashing light indicates that the battery is charging. When fully charged a green light will be displayed.

In DC (battery) mode a green light indicates that the battery level is full. If the battery level is low a red light will be displayed. This indicates that the battery must immediately be charged or the speaker will turn off.

**LINE IN**



Power on



**SPECIFICATION**

Frequency Response .....	25Hz-20KHz
Power Source.....	100-240V~, 60/50Hz
Power Consumption.....	120W
Output power.....	150W
Microphone .....	Wireless 864 & 865MHz
Bluetooth.....	V5.0
FM radio .....	87.5-108 MHz
Unit Size (W x D x H) .....	30.5x30x78.5cm
Tweeter size.....	1 x 1 inch
Woofer size .....	1 x 8 inch
Subwoofer size.....	1 x 8 inch
Unit weight .....	11kg
Working Temperature .....	10-40 °C

- The specification presents only as a reference. The value of weight and size are approximation.
- Our product is improved ceaselessly and the specification and function may be changed without prior notice.

**Power supply adaptor (For EU only)**

Manufacturer: GUANGZHOU GUANG ER ZHONG ELECTRONIC TECHNOLOGY CO.,LTD

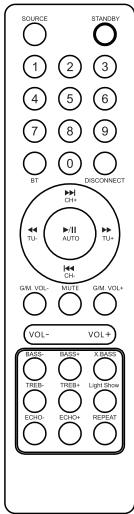
Model number: GPUSW2003000WD00

Use only the power supply listed in the user instructions

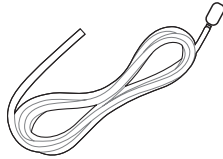
Information	Valueandprecision
Manufacturersnameortrademark,commercialregistration andaddress	
ModelIdentifier	20V/3A
Inputvoltage	AC100-240V,DC20V
InputACfrequency	50/60Hz
Outputvoltage	20V
Outputcurrent	3A
OutputPower	60W
Averageactiveefficiency	88%
Efficiencyatload(10%)	85%
NoloadPowerconsumption	0.15W

Accessories-included

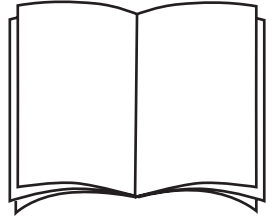
Remote control



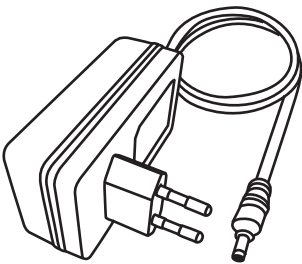
Antenna



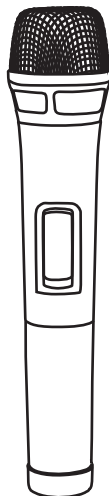
User manual



AC adapter



Wireless Microphone x2



## 1. Guarantee

Lenco offers service and warranty in accordance to European law, which means that in case of repairs (both during and after the warranty period) you should contact your local dealer.

Important note: It is not possible to send products that need repairs to Lenco directly.

Important note: If this unit is opened or accessed by a non-official service center in any way, the warranty expires.

This device is not suitable for professional use. In case of professional use, all warranty obligations of the manufacturer will be voided.

## 2. Disclaimer

Updates to Firmware and/or hardware components are made regularly. Therefore some of the instruction, specifications and pictures in this documentation may differ slightly from your particular situation. All items described in this guide for illustration purposes only and may not apply to particular situation. No legal right or entitlements may be obtained from the description made in this manual.

## 3. Disposal of the Old Device



This symbol indicates that the relevant electrical product or battery should not be disposed of as general household waste in Europe. To ensure the correct waste treatment of the product and battery, please dispose them in accordance to any applicable local laws of requirement for disposal of electrical equipment or batteries. In so doing, you will help to conserve natural resources and improve standards of environmental protection in treatment and disposal of electrical waste (Waste Electrical and Electronic Equipment Directive).

## 4. CE Marking

Hereby, Lenco Benelux B.V., Thermiekstraat 1a, 6361 HB Nuth, The Netherlands, declares that this product is in compliance with the essential EU directive requirements.

The declaration of conformity may be consulted via [techdoc@commaxxgroup.com](mailto:techdoc@commaxxgroup.com)



## 5. Service

For more information and helpdesk support, please visit [www.lenco.com](http://www.lenco.com)  
Lenco Benelux BV, Thermiekstraat 1a, 6361 HB, The Netherlands.

**LET OP:**

Gebruik van bedieningen of afstellingen of uitvoer van procedures anders dan gespecificeerd in deze documentatie kan leiden tot blootstelling aan schadelijke straling.

**VOORZORGSMAATREGELEN VOOR GEBRUIK**

---

**ONTHOUD DE VOLGENDE INSTRUCTIES:**

1. Bedek of blokkeer de ventilatieopeningen niet. Laat 5 cm ruimte rondom het gehele apparaat vrij als u het op een plank plaatst.
2. Installeer het product volgens de meegeleverde gebruikershandleiding.
3. Houd het apparaat uit de buurt van hittebronnen, zoals radiatoren, verwarmingen, kachels, kaarsen en andere hittegenererende producten of open vuur. Het apparaat kan alleen worden gebruikt in een gematigd klimaat. Extreem koude of warme omgevingen dienen te worden vermeden. Bedrijfstemperatuur tussen 0 °C en 35 °C.
4. Gebruik dit apparaat niet in de buurt van krachtige magnetische velden.
5. Elektrostatische ontlading kan normaal gebruik van dit apparaat verstoren. U hoeft het apparaat in dit geval slechts te resetten en opnieuw op te starten volgens de gebruikershandleiding. Wees voorzichtig tijdens bestandsoverdracht en gebruik het product in een omgeving zonder statische interferentie.
6. Waarschuwing! Steek nooit een voorwerp via de ventilatie- of andere openingen in het product. Er is hoogspanning in het product aanwezig en als u er een object insteekt, kan dat een elektrische schok veroorzaken en/of kortsluiting in de interne onderdelen. Mors om dezelfde reden geen water of vloeistof op het product.
7. Gebruik het toestel NIET in vochtige ruimtes, zoals badkamers, stomerige keukens of in de buurt van zwembaden.
8. Het apparaat mag niet worden blootgesteld aan druppels en spetters en zorg ervoor dat er geen met vloeistof gevulde voorwerpen, zoals vazen, op of in de buurt van het apparaat worden geplaatst.
9. Gebruik dit apparaat niet wanneer condensatie kan optreden. Wanneer het apparaat in een warme en vochtige kamer wordt gebruikt, dan kunnen er waterdruppeltjes of condensatie binnenin het apparaat worden gevormd waardoor het apparaat mogelijk niet meer goed werkt; houd en apparaat 1 of 2 uur op UIT staan voordat u de voeding weer inschakelt: het apparaat dient droog te zijn voordat deze stroom ontvangt.
10. Alhoewel dit apparaat met grote zorg gefabriceerd en verschillende keren geïnspecteerd is voordat het de fabriek verlaat, is het nog steeds mogelijk dat er problemen optreden, zoals met alle elektrische apparaten. Als u rook, een overmatige hitteontwikkeling of enig ander onverwacht verschijnsel, moet u onmiddellijk de stekker van het netsnoer uit het stopcontact halen.
11. Dit apparaat moet werken op een voedingsbron, zoals aangegeven op het specificatieplaatje. Als u twijfelt over het type voeding dat gebruikt wordt in uw huis, raadpleeg dan uw dealer of plaatselijk energiebedrijf.
12. Buiten bereik van dieren houden. Sommige dieren bijten graag op voedingskabels.

13. Gebruik een zacht, droog doekje om het apparaat te reinigen. Gebruik geen oplosmiddelen of op benzine gebaseerde vloeistoffen.  
U kunt een vochtig doekje met verdund schoonmaakmiddel gebruiken om hardnekkige vlekken te verwijderen.
14. De leverancier is niet verantwoordelijk voor schade of verloren gegevens veroorzaakt door storing, misbruik, modificatie van het apparaat of batterijvervanging.
15. Onderbreek nooit de verbinding wanneer het apparaat formatteert of bestanden overdraagt. De gegevens kunnen anders corrupt of verloren raken.
16. Indien het apparaat een USB-afspeelfunctie heeft, moet de USB-geheugenstick rechtstreeks op het apparaat worden aangesloten. Gebruik geen USB-verlengkabel, omdat die kan leiden tot storingen met foutieve gegevens als gevolg.
17. Het nominale specificatielabel is te vinden op het paneel aan de onder- of achterkant van het apparaat.
18. Dit apparaat is niet bestemd voor gebruik door mensen (inclusief kinderen) met fysieke, zintuiglijke of geestelijke gebreken of gebrek aan kennis en ervaring, tenzij zij onder toezicht staan of instructies hebben over het juiste gebruik van het apparaat hebben gekregen van de persoon die verantwoordelijk is voor hun veiligheid.
19. Dit product is alleen voor niet-professioneel gebruik bedoeld en niet voor commercieel of industrieel gebruik.
20. Verzeker u ervan dat het apparaat in een stabiele positie staat opgesteld. Beschadigingen veroorzaakt door het gebruik van dit apparaat in een onstabiele positie, trillingen of schokken of door het niet opvolgen van andere waarschuwingen of voorzorgsmaatregelen beschreven in deze gebruikshandleiding worden niet gedekt door de garantie.
21. Verwijder nooit de behuizing van dit apparaat.
22. Plaats dit apparaat nooit op andere elektrische apparatuur.
23. Geef kinderen geen gelegenheid in aanraking met plastic zakken te komen.
24. Gebruik uitsluitend uitbreidingen/accessoires gespecificeerd door de fabrikant.
25. Laat alle reparaties over aan gekwalificeerd onderhoudspersoneel. Onderhoud is vereist als het apparaat hoe dan ook is beschadigd, zoals bijvoorbeeld het netsnoer of de stekker, wanneer er vloeistof of een voorwerp in het apparaat is terechtgekomen, wanneer het apparaat is blootgesteld aan regen of vocht, als het niet normaal werkt of is gevallen.
26. Langdurige blootstelling aan harde geluiden van persoonlijke muzikspelers kan leiden tot tijdelijk of permanent gehoorverlies.
27. Als het product wordt geleverd met voedingskabel of AC-stroomadapter:
  - Als er problemen optreden, koppel de wisselstroomvoedingskaart dan los en laat reparaties over aan bevoegd personeel.
  - Nooit op de stroomadapter stappen of deze indrukken. Wees voornamelijk voorzichtig in de buurt van de stekkers en het punt waar de kabel uit het apparaat komt. Plaats geen zware voorwerpen op de stroomadapter, om beschadiging ervan te voorkomen. Houd het gehele apparaat buiten bereik

van kinderen! Wanneer kinderen met de voedingskabel spelen, kunnen zij ernstig letsel oplopen.

- Haal de stekker uit het stopcontact tijdens onweer of wanneer u deze langere tijd niet gebruikt.
  - Het stopcontact moet in de buurt van de apparatuur zijn geïnstalleerd en eenvoudig te bereiken zijn.
  - Overbelast stopcontacten of verlengsnoeren niet. Overbelasting kan brand of een elektrische schok veroorzaken.
  - Apparaten met een Klasse 1 structuur dienen te worden aangesloten op een stopcontact met een beschermende aardverbinding.
  - Apparaten met een Klasse 2 structuur vereisen geen aardverbinding.
  - Houd altijd de stekker vast wanneer u deze uit het stopcontact trekt. Trek nooit aan de voedingskabel. Dit kan tot een kortsluiting leiden.
  - Gebruik nooit een beschadigde voedingskabel of stekker of een los stopcontact. Dit vormt namelijk een risico op brand of elektrische schokken.
28. Indien het product knoopcelbatterijen bevat of wordt geleverd met een afstandsbediening die knoopcelbatterijen bevat:  
Waarschuwing:
- "Batterij niet inslikken, chemisch brandgevaar" of gelijkwaardige werking.
  - [De afstandsbediening meegeleverd met] Dit product bevat een munt-/knoopcelbatterij. Als de batterij wordt ingeslikt, kan deze in slechts 2 uur ernstige interne brandwonden veroorzaken en tot de dood leiden.
  - Houd nieuwe en gebruikte batterijen buiten bereik van kinderen.
  - Als de batterijhouder niet goed kan worden gesloten, dient u het product niet meer te gebruiken en buiten bereik van kinderen te houden.
  - Als u denkt dat batterijen zijn ingeslikt of binnenin een willekeurig lichaamsdeel terecht zijn gekomen, dient u onmiddellijk medische hulp te zoeken.
29. Waarschuwing m.b.t. het gebruik van batterijen:
- Als de batterij onjuist wordt geplaatst, bestaat er explosiegevaar. Vervang de batterij alleen door een zelfde of vergelijkbare soort batterij.
  - Stel de batterij niet bloot aan extreem hoge of lage temperaturen of een lage luchtdruk op grote hoogte tijdens gebruik, opslag of transport.
  - Vervanging van een batterij door een incorrect type kan leiden tot een ontploffing of de lekkage van ontvlambare vloeistoffen of gas.
  - Verwijdering van een batterij in vuur of een hete oven of het mechanisch verpletteren of snijden van een batterij kan leiden tot een ontploffing.
  - Laat een batterij nooit achter in omgevingen met extreem hoge temperaturen, anders kan dit leiden tot een ontploffing of de lekkage van ontvlambare vloeistoffen of gas.
  - Stel een batterij nooit bloot aan een extreem lage luchtdruk, anders kan dit leiden tot een ontploffing of de lekkage van ontvlambare vloeistoffen of gas.
  - Aandacht voor het milieu is nodig bij het verwijderen van de batterijen.

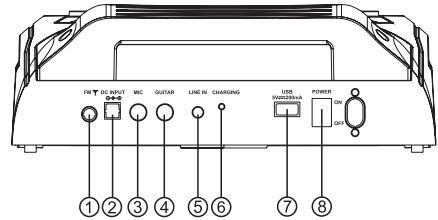
## **INSTALLATIE**

- Pak alle onderdelen uit en verwijder de beschermende materialen.
- Sluit het apparaat niet aan op het stopcontact, voordat u de netspanning hebt gecontroleerd en voordat alle andere aansluitingen zijn gemaakt.

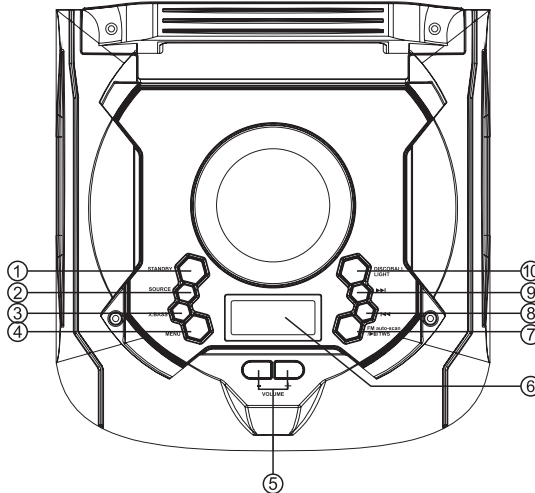


## ACHTERPANEEL

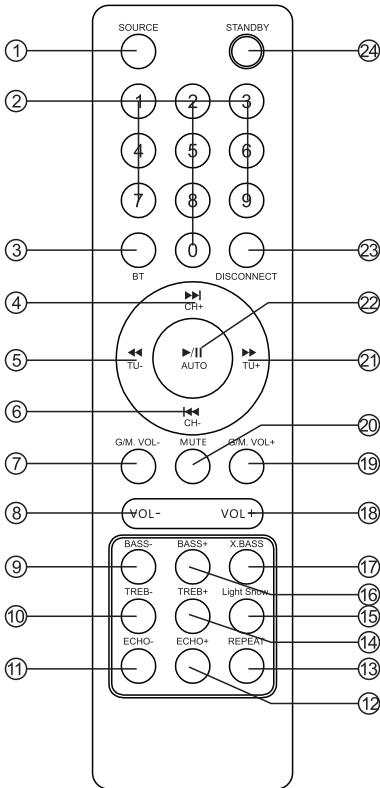
1. FM-antenne
2. GELIJKSPANNINGSTOEVOER
3. MIC: Bedrade microfoonaansluiting
4. GUITAR: Aansluiting gitaaringang
5. LINE-IN: Aansluiting Lijn-in
6. Oplaadlampje
7. USB: Aansluiting USB-ingang
8. AAN/UIT-SCHAKELAAR: Druk op deze schakelaar om het apparaat AAN of UIT te zetten



## BOVENPANEEL



1. STANDBY: Houd ingedrukt voor Stand-by, AAN en UIT.
2. SOURCE: Druk op deze toets om de bronnen te wisselen tussen USB, BT, FM, LINE.
3. X.BASS: Druk op de toets om het extra baseffect AAN/UIT te zetten.
4. MENU: Druk op deze toets om het menu te wisselen tussen MIC, GITAAR, VOLUME, ECHOVOLUME, LAGE TONEN, HOGE TONEN.
5. VOLUME +/-: Om de niveaus aan te passen.
6. LED-SCHERM: Om de luidsprekerstatus weer te geven.
7. FM auto-scan/▶▶/TWS: Druk in de FM-modus hierop om volledig automatisch te zoeken. Druk hierop om een nummer af te spelen/pauzeren in de USB/BT-invoermodus. Houd ingedrukt om de modus TWS (true wireless stereo) in of uit te schakelen.
8. ◀◀: Om het vorige nummer af te spelen in de USB/BT-invoermodus.
9. ▶▶: Om het volgende nummer af te spelen in de USB/BT-invoermodus.
10. DISCOBALL/LIGHT: Houd deze toets ingedrukt om de DISCOBALL aan of uit te zetten. Druk in om de verlichtingsmodus van de voorluidspreker te wijzigen tussen LED1, LED2, LED3, LED4, UIT.



- 1) **SOURCE**  
Druk hierop om de bron te wijzigen tussen USB, AUX, BT, FM
- 2) **CIJFERTOETSEN 0 ~ 9** Deze toetsen worden gebruikt om een track rechtstreeks in de USB-bronmodus af te spelen. Bijv.: Druk op de cijfertoets "1" gevolgd door "2" om de 12e track in de USB-afspeellijst af te spelen. In FM, om een opgeslagen kanaal te selecteren of om de zenderfrequentie rechtstreeks in te voeren
- 3) **BT** Druk hierop om de Bluetooth-koppelingsmodus te openen.
- 4) **▶▶|/CH+**  
Speel het volgende nummer af door te drukken op "▶▶|/CH+" in de USB/BT-invoermodus.  
Pas het volgende kanaal aan door te drukken op "▶▶|/CH+" in de FM-invoermodus.
- 5) **◀◀/TU-**

- 6) **◀◀/CH-**  
Speel het vorige nummer af door te drukken op "◀◀/CH-" in de USB/BT-invoermodus.  
Pas het vorige kanaal aan door te drukken op "◀◀/CH-" in de FM-invoermodus.
- 7) **GUITAR/MIC VOL-** Om het volume van de gitaar en MIC te verlagen.
- 8) **VOL-**  
Om het volume te verlagen.
- 9) **BAS-**  
Om het effect van de lage tonen te verminderen.
- 10) **TREB-**  
Om het effect van de hoge tonen te verminderen.
- 11) **ECHO-**  
Om het echo-effect te verminderen.
- 12) **ECHO+**  
Om het echo-effect te verhogen
- 13) **HERHALEN**  
Kies de herhaalmodus door te drukken op "REPEAT" in de USB-invoermodus.  
Herhalenwillekeurig, enkel, allemaal.
- 14) **TREB+**  
Om het effect van de hoge tonen te verhogen.
- 15) **LED SHOW**  
Om de lichtmodus te wijzigen tussen LED1, LED2, LED3, LED4, UIT.
- 16) **BAS+**  
Om het effect van de lage tonen te verhogen.
- 17) **X.BASS**  
Druk op deze toets om het extra baseffect AAN/UIT te zetten.
- 18) **VOL+**  
Om het volume te verhogen.
- 19) **GUITAR/MIC VOL+**  
Om het volume van GUITAR en MIC te verhogen.
- 20) **MUTE**  
Druk op deze toets om het luidspreekervolume te DEMPEN/AAN TE ZETTEN.
- 21) **▶▶/TU +**  
Een nummer vooruitspoelen door te drukken op "▶▶/TU+" in de USB-invoermodus.  
Pas de radiofrequentie aan door te drukken

- 22) op "▶▶/TU+" in de FM-invoermodus.
- ▶||/AUTO
  - Afspelen/pauzeren in de modus USB/BT.
  - Druk in de FM-modus hierop om volledig automatisch te zoeken.

- 23) LOSKOPPELEN in BT, Druk hierop om de verbinding te verbreken en met een nieuw apparaat te koppelen.
- 24) STAND-BY  
Toets Stand-by AN/UIT key.

## GEBRUIK

### Bluetooth koppelen en verbinden

- Schakel alle eerdere met dit apparaat gekoppelde Bluetooth-apparaten uit (gekoppeld).
- Activeer de Bluetooth functie op uw telefoon of muzikspeler.
- Zet dit apparaat aan en stel deze in op de Bluetooth modus. Het knipperen: "bt" op het LED-display geeft aan dat het in de koppelingsmodus is.
- Zoek met uw telefoon of muzikspeler naar Bluetooth apparaten.
- Selecteer "Lenco PA-260" in de zoekresultaten op uw telefoon of muzikspeler.
- Selecteer OK (OKÉ) of YES (JA) om dit apparaat met uw telefoon of muzikspeler te verbinden.
- Voer 0000 in als er om een wachtwoord gevraagd wordt en een vast blauw licht geeft aan dat de verbinding gelukt is.
- Houd de koppelingstoets ingedrukt om de huidige convectie- en eater-koppelingsmodus te verbreken.

"Dit product is voorzien van een Bluetooth-**ontvangstfunctie, u kunt er geen Bluetooth-audio mee sturen**: dit betekent dat u van een externe bron zoals een smartphone draadloos een Bluetooth-audiosignaal kunt ontvangen."

### Modus TWS (True Wireless Stereo)

1. Schakel 2 PA-260 speakers in en selecteer beide INVOER-modus van het apparaat als Bluetooth.
2. Druk gedurende 2 seconden op de toets "TWS" op de luidspreker, het zal "E OF" op het display tonen. TWS maakt verbinding met een andere luidspreker en zal succesvol worden verbonden na een geluidstoon of als het display "bt" weergeeft.
3. Schakel uw Bluetooth-functie op uw mobiele telefoon in om Bluetooth-apparaten te zoeken en selecteer "Lenco PA-260" in het zoekresultaat, selecteer OK of JA om dit apparaat te koppelen met uw mobiele telefoon. Een constant blauw lampje geeft aan dat de verbinding tot stand is gebracht en alle muziek van uw mobiele telefoon kan afspelen.
4. Druk gedurende 2 seconden op de toets "TWS" op de luidspreker en de TWS-functies worden uitgeschakeld nadat "E OF" op het display wordt weergegeven.

(Het "LINKER"-kanaal is luidspreker A, de andere luidspreker is het "RECHTER"-kanaal.)

### Bediening FM-radio

1. U moet de meegeleverde antenne aansluiten voordat u de radiofuncties kunt gebruiken. Pas de antenne aan voor een optimale ontvangst.  
Druk herhaaldelijk op [SOURCE] om de FM-modus te selecteren.
2. Druk op de toets CH+/CH- op de afstandsbediening of houd de toets "◀◀/▶▶" op het bovenpaneel ingedrukt om naar het voorkeurstation te gaan.
3. Druk op de toets TU+/TU- op de afstandsbediening of druk op de toets "◀◀/▶▶" op het bovenpaneel om de radiofrequentie handmatig aan te passen.

Met de cijfertoets op de afstandsbediening kan de frequentie direct worden geselecteerd. Voer bijvoorbeeld de toetsen "8, 8, 1" in voor 88,1 MHz, en toetsen "1, 0, 4, 0" voor 104,0 MHz.

4. Druk op de toets PLAY op de afstandsbediening of druk op de toets "▶||" op het bovenpaneel. Het apparaat zal zelf radiokanalen scannen van lage frequentie naar hoge frequentie en de kanalen een voor een onthouden.

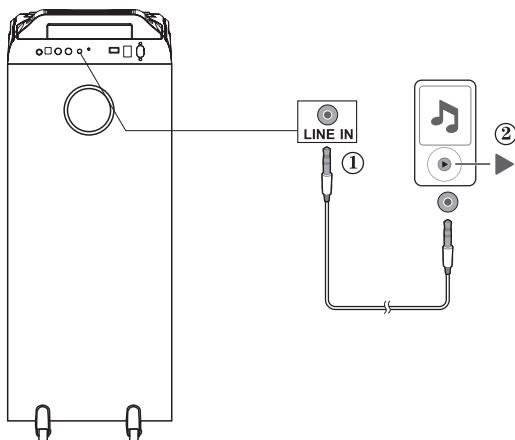
## GEBRUIK

### BATTERIJ

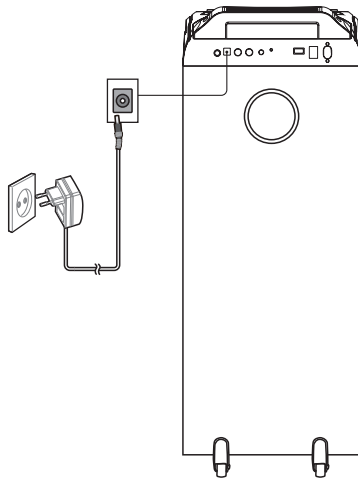
In modus AC (voeding) wordt de batterij automatisch opgeladen. Een langzaam rood knipperend lampje geeft aan dat de batterij wordt opgeladen. Wanneer opgeladen, wordt er een groen lampje weergegeven.

In modus DC (batterij) geeft een groen lampje aan dat het batterijniveau vol is. Als het batterijniveau laag is, wordt er een rood lampje weergegeven. Dit geeft aan dat de batterij direct opgeladen moet worden, anders gaat de luidspreker uit.

### LIJNINGANG



EN	NL
LINE IN	LIJNINGANG



## GEBRUIK

### SPECIFICATIES

Frequentierespons .....	25 Hz-20 KHz
Voedingsbron .....	100-240 V~, 60/50 Hz
Stroomverbruik .....	120 W
Uitgangsvermogen .....	150W
Microfoon .....	Draadloos 864 & 865 MHz
Bluetooth .....	V5.0
FM-radio .....	87,5-108 MHz
Afmetingen (B x D x H) .....	30,5 x 30 x 78,5 cm
Tweeter afmeting .....	2,54 x 2,54 cm
Woofer afmeting .....	1 x 8 inch
Subwoofer afmeting .....	1 x 8 inch
Gewicht van het apparaat .....	11 kg
Gebruikstemperatuur .....	10-40 °C

- De specificatie fungeert alleen als een referentie. Het gewicht en de afmetingen zijn gemiddelden.
- Ons product wordt continu verbeterd en de specificaties en functies kunnen zonder voorafgaande kennisgeving aangepast worden.

## Voedingsadapter (alleen voor EU)

Fabrikant: GUANGZHOU GUANG ER ZHONG ELECTRONIC TECHNOLOGY CO., LTD

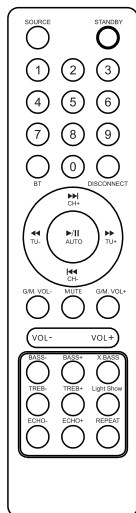
Modelnummer: GPUSW2003000WD00

Gebruik uitsluitend de voedingsadapter die in de gebruiksaanwijzing wordt vermeld

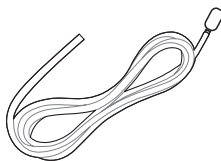
Informatie	Waarde en precisie
Naam of handelsmerk van de fabrikant, handelsregistratie en adres	
Modelaanduiding	20 V/3 A
Ingangsspanning	AC100-240V,DC20V
Ingangsfrequentie wisselstroom	50/60 Hz
Uitgangsspanning	20 V
Uitgangsstroom	3 A
Uitgangsvermogen	60 W
Gemiddelde actieve efficiëntie	88 %
Efficiëntie bij lage belasting (10%)	85 %
Verbruik onbelast vermogen	0.15 W

Inbegrepen accessoires

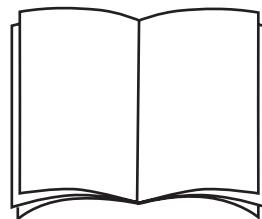
Afstandsbediening



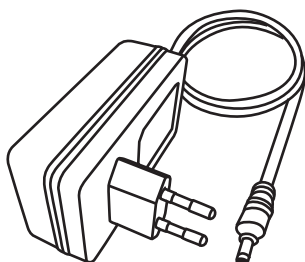
Antenne



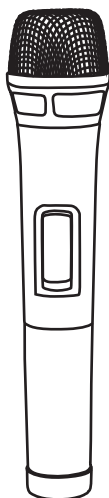
Handleiding



AC-adapter



Draadloze microfoon x2



## 1. Garantie

Lenco biedt service en garantie aan overeenkomstig met de Europese wetgeving. Dit houdt in dat u, in het geval van reparaties (zowel tijdens als na de garantieperiode), uw lokale handelaar moet contacteren.

Belangrijke opmerking: Het is niet mogelijk om producten die moeten worden gerepareerd rechtstreeks naar Lenco te sturen.

Belangrijke opmerking: De garantie verloopt als een onofficieel servicecenter het apparaat op wat voor manier dan ook heeft geopend, of er toegang toe heeft gekregen.

Het apparaat is niet geschikt voor professioneel gebruik. In het geval van professioneel gebruik worden alle garantieverplichtingen van de fabrikant nietig verklaard.

## 2. Disclaimer

Er worden regelmatig updates in de firmware en/of hardwarecomponenten gemaakt. Daardoor kunnen gedeelten van de instructie, de specificaties en afbeeldingen in deze documentatie enigszins verschillen van uw eigen situatie. Alle onderwerpen die staan beschreven in deze handleiding zijn bedoeld als illustratie en zijn niet van toepassing op specifieke situaties. Aan de beschrijving in dit document kunnen geen rechten worden ontleend.

## 3. Afvoer van het oude apparaat



Dit symbool geeft aan dat het betreffende elektrische product of de accu/batterij niet mag worden verwijderd als algemeen huishoudelijk afval in Europa. Zorg voor een juiste afvalverwerking door het product en de accu/batterij in overeenstemming met alle van toepassing zijnde lokale wetten voor het verwijderen van elektrische apparatuur of accu's/batterijen te verwijderen. Als u dit doet, helpt u de natuurlijke bronnen te behouden en de standaard van milieubescherming te verbeteren bij de behandeling en verwijdering van elektrisch afval (Afgedankte Elektrische en Elektronische Apparatuur).

## 4. CE-markering

Lenco Benelux B.V., Thermiekstraat 1a, 6361 HB Nuth, Nederland, verklaart hierbij dat dit product voldoet aan de vereisten van de essentiële EU-richtlijnen.

De verklaring van conformiteit kan worden aangevraagd via [techdoc@commaxxgroup.com](mailto:techdoc@commaxxgroup.com)



## 5. Service

Bezoek voor meer informatie en helpdeskondersteuning [www.lenco.com](http://www.lenco.com)

Lenco Benelux BV, Thermiekstraat 1a, 6361 HB, Nederland.



### **ACHTUNG:**

Eine andere als die hier beschriebene Benutzung der Bedienelemente oder Einstellung oder Durchführung von Abläufen kann zu einer gefährlicher Strahlung ausgesetzt werden führen.

### **VORSICHTSMASSNAHMEN VOR DER BENUTZUNG**

#### **BEFOLGEN SIE IMMER FOLGENDE ANWEISUNGEN:**

1. Blockieren oder bedecken Sie keine Lüftungsöffnungen. Lassen Sie beim Aufstellen des Gerätes in einem Regal 5 cm Platz rund um das gesamte Gerät.
2. Stellen Sie das Gerät entsprechend den Anweisungen der mitgelieferten Bedienungsanleitung auf.
3. Halten Sie das Gerät von Hitzequellen wie Radiatoren, Heizern, Öfen, Kerzen oder anderen hitzeerzeugenden Produkten oder offenen Flammen fern. Das Gerät darf nur bei gemäßigttem Klima verwendet werden. Sehr kalte oder heiße Umgebungen sind zu vermeiden. Die Betriebstemperatur liegt zwischen 0 °C und 35 °C.
4. Meiden Sie bei der Benutzung des Produkts die Nähe starker Magnetfelder.
5. Elektrostatische Entladungen können die normale Benutzung dieses Geräts stören. Sollte dies geschehen, führen Sie einfach einen Reset aus und starten Sie dann das Gerät entsprechend den Anweisungen dieser Bedienungsanleitung neu. Gehen Sie besonders bei Datenübertragungen mit dem Gerät vorsichtig um und führen Sie diese nur in einer antielektrischen Umgebung aus.
6. Warnung! Niemals Gegenstände durch die Lüftungsschlitze oder Öffnungen in das Gerät stecken. In diesem Gerät fließt Hochspannung und das Hineinstecken von Gegenständen kann zu elektrischem Schock und/oder Kurzschluss interner elektrischer Bauteile führen. Spritzen/Gießen Sie aus dem gleichen Grund kein Wasser oder Flüssigkeiten auf das Gerät.
7. Benutzen Sie das Gerät nicht in nasser oder feuchter Umgebung wie Bad, Dampfküche oder in der Nähe von Schwimmbecken.
8. Das Gerät darf weder Tropf- noch Spritzwasser ausgesetzt werden und es dürfen keine mit Flüssigkeit gefüllten Behälter wie z. B. Vasen auf das Gerät oder in der Nähe des Gerätes gestellt werden.
9. Benutzen Sie das Gerät nicht, wenn Kondensation entstehen kann. Wenn Sie das Gerät in einem warmen feuchten Raum mit Dampf benutzen, dann können Wassertropfen oder Kondensation in das Gerät eindringen und u. U. zu Fehlfunktionen des Geräts führen. Schalten Sie in diesem Fall das Gerät für 1 – 2 Stunden aus, bevor Sie es erneut einschalten, wobei Sie darauf achten sollten, dass das Gerät vollständig getrocknet ist, bevor Sie es wieder einschalten.
10. Obwohl dieses Gerät unter größter Sorgfalt hergestellt und vor Auslieferung mehrmals überprüft wurde, können trotzdem wie bei jedem anderen elektrischen Gerät auch Probleme auftauchen. Trennen Sie das Gerät bei Rauchentwicklung, starker Hitzeentwicklung oder jeder anderen unnatürlichen Erscheinung sofort vom Stromnetz.

11. Dieses Gerät ist durch eine Stromquelle wie auf dem Typenschild angegeben zu betreiben. Halten Sie bei Unsicherheiten über die Art Ihrer Stromversorgung in Ihrer Wohnung Rücksprache mit Ihrem Händler oder Ihrer Stromzuliefererfirma.
12. Halten Sie das Gerät von Haustieren fern. Einige Nagetiere lieben es, an Netzkabeln zu nagen.
13. Benutzen Sie für die Reinigung ein weiches und trockenes Tuch. Benutzen Sie niemals Lösungsmittel oder Flüssigkeiten auf Ölbasis. Benutzen Sie zum Entfernen hartnäckiger Flecken ein feuchtes Tuch mit mildem Reinigungsmittel.
14. Der Hersteller haftet nicht für Beschädigungen oder Datenverluste durch Fehlfunktion, Zweckentfremdung oder Modifikation des Geräts oder durch das Wechseln der Batterie.
15. Unterbrechen Sie die Verbindung nicht während einer Formatierung oder einer Datenübertragung. Bei Unterbrechung drohen Datenverlust und Datenbeschädigung.
16. Wenn das Gerät eine USB-Wiedergabefunktion besitzt, dann stecken Sie den USB-Stick direkt in das Gerät. Verwenden Sie kein USB-Verlängerungskabel, weil die erhöhte Störungsanfälligkeit zu Datenverlust führen kann.
17. Das Typenschild befindet sich an der Unter- oder Rückseite des Gerätes.
18. Dieses Gerät ist nicht zur Benutzung durch Personen (einschließlich Kinder) mit physischen, sensorischen oder mentalen Beeinträchtigungen oder ohne ausreichender Erfahrung vorgesehen, es sei denn, sie werden durch eine verantwortliche Person beaufsichtigt oder wurden in die ordnungsgemäße Bedienung des Gerätes durch eine für ihre Sicherheit verantwortlichen Person eingewiesen.
19. Dieses Produkt ist nur für den nicht-professionellen Gebrauch und nicht für gewerbliche oder industrielle Zwecke bestimmt.
20. Stellen Sie sicher, dass das Gerät in einer stabilen Position aufgestellt ist. Schäden, die durch Verwendung dieses Produkts in einer instabilen Position, durch Vibrationen, Stöße oder Nichtbeachtung der anderen in diesem Handbuch enthaltenen Warnungen und Sicherheitsmaßnahmen entstehen, werden nicht durch die Garantie abgedeckt.
21. Entfernen Sie niemals das Gehäuse dieses Geräts.
22. Stellen Sie dieses Gerät niemals auf andere elektrische Geräte.
23. Halten Sie Kinder von den Plastiktüten fern.
24. Benutzen Sie nur vom Hersteller spezifizierte Erweiterungen/Zubehörteile.
25. Lassen Sie alle Wartungs-/Reparaturarbeiten von qualifiziertem Servicepersonal ausführen. Reparatur/Wartung wird notwendig, wenn das Gerät in irgendeiner Weise wie beispielsweise am Netzkabel oder am Netzstecker beschädigt wurde oder wenn Flüssigkeit in das Gerät gelangt ist bzw. Gegenstände in das Gerät gefallen sind, das Gerät Regen oder Feuchtigkeit ausgesetzt war, es heruntergefallen ist oder nicht ordnungsgemäß funktioniert.
26. Langes Hören lauter Töne aus einem Musikgerät kann zum zeitweiligen oder permanenten Hörverlust führen.

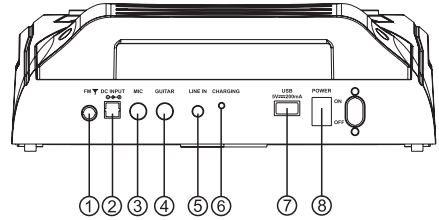
27. Wenn zum Lieferumfang des Produkts ein Netzkabel oder ein Netzadapter gehört:
- Wenn irgendwelche Probleme auftreten, dann trennen Sie das Gerät vom Stromnetz und setzen Sie sich anschließend mit einer qualifizierten Fachkraft in Verbindung.
  - Treten Sie nicht auf den Netzadapter und klemmen Sie ihn auch nicht ein. Seien Sie besonders im näheren Bereich des Netzsteckers und an der Stelle vorsichtig, an der das Netzkabel aus dem Gerät herausgeführt wird. Stellen Sie keine schweren Gegenstände auf den Netzadapter, weil er dadurch beschädigt werden kann. Halten Sie das gesamte Gerät außerhalb der Reichweite von Kindern! Durch Spielen mit dem Netzkabel können sie sich ernsthafte Verletzungen zuziehen.
  - Trennen Sie das Gerät während eines Gewitters oder bei längerer Nichtbenutzung vom Stromnetz.
  - Die Netzsteckdose muss sich in der Nähe des Geräts befinden und einfach zu erreichen sein.
  - Überlasten Sie Steckdosen und Verlängerungsleitungen nicht. Eine Überlastung kann zu Brandgefahr bzw. Stromschlag führen.
  - Geräte der Schutzklasse 1 müssen Sie an eine Netzsteckdose mit Schutzleiter anschließen.
  - Geräte der Schutzklasse 2 benötigen keinen Schutzleiteranschluss.
  - Halten Sie den Netzstecker in der Hand, wenn Sie ihn aus der Netzsteckdose ziehen. Ziehen Sie ihn nicht durch Zerran am Kabel heraus. Das kann zu einem Kurzschluss führen.
  - Verwenden Sie weder ein beschädigtes Netzkabel noch einen beschädigten Netzstecker oder eine lockere Steckdose. Missachtung kann zu Brand oder Stromschlag führen.
28. Wenn das Produkt mit einer Fernbedienung mit Batterien/Knopfzellen geliefert wird oder das Produkt eine derartige Fernbedienung umfasst:  
Warnung:
- Die Batterie nicht einnehmen – Verätzungsgefahr!
  - Die mit diesem Produkt mitgelieferte Fernbedienung enthält eine Knopfzelle. Das Verschlucken der Batterie kann innerhalb von nur 2 Stunden zu schwersten inneren Verbrennungen mit Todesfolge führen.
  - Halten Sie neue und gebrauchte Batterien von Kindern fern.
  - Falls sich das Batteriefach nicht richtig schließen lässt, dann benutzen Sie das Gerät nicht mehr und halten Sie es von Kindern fern.
  - Wenn Sie vermuten, dass Batterien verschluckt oder in eine Körperöffnung eingeführt worden sind, dann suchen Sie umgehend eine/-n Ärztin/Arzt auf.
29. Warnhinweise bzgl. der Verwendung von Batterien:
- Es besteht Explosionsgefahr, wenn die Batterien nicht ordnungsgemäß ersetzt werden. Tauschen Sie die Batterie nur gegen eine Batterie des gleichen Typs aus.

- Die Batterie darf während der Benutzung, Aufbewahrung oder des Transports weder sehr hohen oder sehr niedrigen Temperaturen noch niedrigem Luftdruck in großen Höhenlagen ausgesetzt werden.
- Die Ersetzung der Batterie mit einem falschen Batterietyp kann zum Explodieren der Batterie oder zum Entweichen von entflammbarem Gas oder Auslaufen von entflammbarer Flüssigkeit aus der Batterie führen.
- Die Entsorgung der Batterie in Feuer oder einem heißen Ofen oder das mechanische Zerkleinern oder Zerteilen der Batterie kann zu Explosionen führen.
- Das Verbleiben der Batterie in einer Umgebung mit sehr hohen Temperaturen kann zum Explodieren der Batterie oder zum Entweichen von entflammbarem Gas oder Auslaufen von entflammbarer Flüssigkeit aus der Batterie führen.
- Eine in einem sehr niedrigen Luftdruck ausgesetzte Batterie kann explodieren oder es kann aus einer in einem sehr niedrigen Luftdruck ausgesetzten Batterie entflammbares Gas entweichen oder entflammbare Flüssigkeit auslaufen.
- Legen Sie besonderes Augenmerk auf den ökologischen Aspekt der Batterieentsorgung.

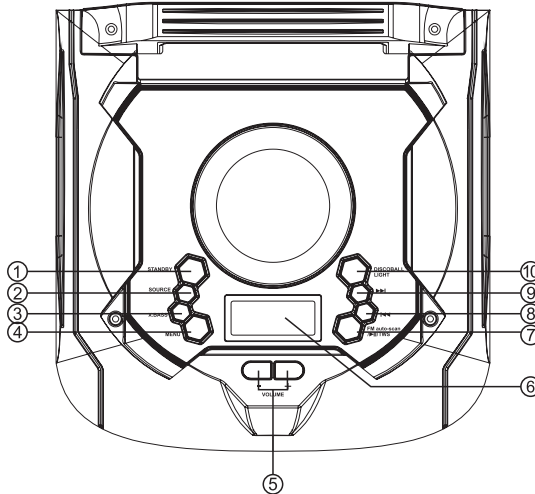
#### **AUFSTELLEN**

- Packen Sie alle Teile aus und entfernen Sie danach die Schutzmaterialien.
- Schließen Sie das Gerät nicht eher an das Stromnetz an, bevor Sie die Netzspannung überprüft haben und alle anderen notwendigen Verbindungen hergestellt sind.

1. FM-Antenne
2. Gleichspannungseingang
3. Mikrofon: Eingang für kabelgebundenes Mikrofon
4. Gitarre: Gitarreingang
5. Line-Eingang: Line-Eingang
6. Ladeanzeige
7. USB: USB-Eingang
8. EIN/AUS-SCHALTER: Drücken Sie diesen Schalter zum Ein- oder Ausschalten des Gerätes



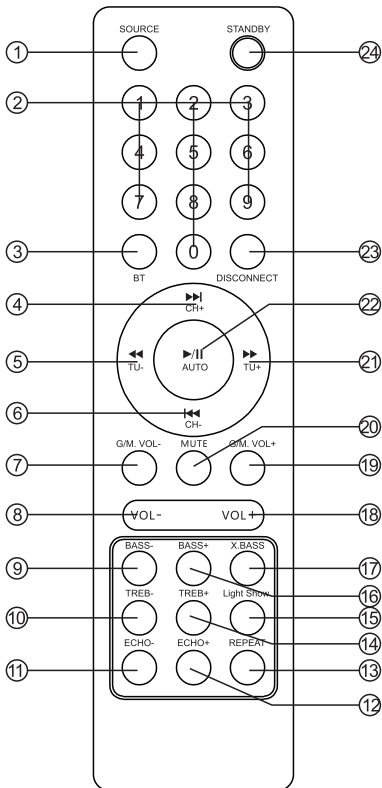
## OBERE BLENDE



1. STANDBY: Zum Versetzen in den Bereitschaftsmodus, zum Ein- und Ausschalten drücken und halten.
2. SOURCE: Diese Taste zum Umschalten der Quelle zwischen USB, BT, FM und LINE drücken.
3. X.BASS: Diese Taste zum Ein-/Ausschalten zusätzlicher Basseffekte drücken.
4. MENÜ: Diese Taste zum Umschalten des Menüs zwischen MIC (Mikrofon), GUITAR (Gitarre), VOLUME (Lautstärke), ECHO VOLUME (Echo-Lautstärke), BASS (Bässe) und TREBLE (Höhen) drücken.
5. VOLUME +/-: Zum Anpassen der Lautstärke.
6. LED-Display: Zur Anzeige des Lautsprecherstatus.
7. FM auto -scan/||/TWS: Im UKW-Modus für eine vollständig automatische Suche drücken. Zum Wiedergeben/Anhalten eines Titels im USB/BT-Eingangsmodus drücken. Zum Ein- oder Ausschalten des TWS- (True Wireless Stereo) Modus drücken und halten.
8. ◀◀: Zur Wiedergabe des vorherigen Liedes im USB/BT-Eingangsmodus.
9. ▶▶: Zur Wiedergabe des nächsten Liedes im USB/BT-Eingangsmodus.

10. DISCOBALL / LIGHT: Diese Taste zum Ein- oder Ausschalten der Diskokugel gedrückt halten. Zum Umschalten des Lichtmodus an der Vorderseite des Lautsprechers zwischen LED1, LED2, LED3, LED4 und OFF (Aus) drücken.

## FERNBEDIENUNG



- 1) **SIGNALQUELLE**  
Zum Umschalten der Quelle zwischen USB, AUX, BT und FM (UKW) drücken.
- 2) **ZIFFERTASTEN 0 bis 9:** Diese Tasten dienen der direkten Wiedergabe eines Titels im USB-Eingangsmodus. Z. B.: Drücken Sie zur Wiedergabe des 12. Titels in der USB-Wiedergabeliste die Zifferntaste „1“ gefolgt von „2“. Im UKW-Modus zur Auswahl des gespeicherten Kanals oder zur direkten Eingabe der Senderfrequenz.
- 3) **BT:** Zum Aufrufen des BT-Kopplungsmodus drücken.
- 4) **▶▶/CH+**  
Geben Sie das nächste Lied wieder, indem Sie im USB/BT-Eingangsmodus „▶▶/CH+“ drücken.  
Stellen Sie das Gerät auf den nächsten Kanal ein, indem Sie im UKW-Eingangsmodus „▶▶/CH+“ drücken.
- 5) **◀◀/TU-**  
Aktivieren Sie den Schnellrücklauf eines Liedes, indem Sie im USB-Eingangsmodus die Taste „◀◀/TU-“ drücken.  
Passen Sie die Radiofrequenz an, indem Sie im UKW-Eingangsmodus die Taste „◀◀/TU-“ drücken.
- 6) **◀◀/CH-**  
Geben Sie das vorherige Lied wieder, indem Sie im USB/BT-Eingangsmodus die Taste „◀◀/CH-“ drücken.  
Stellen Sie den vorherigen Kanal ein, indem Sie im UKW-Eingangsmodus die Taste „◀◀/CH-“ drücken.
- 7) **GUI TER/MIC VOL-:** Zum Verringern der Gitarren- und Mikrofon-Lautstärke.
- 8) **VOL-:** Zum Verringern der Lautstärke.
- 9) **BASS-:**  
Zum Verringern der Basseffekte.
- 10) **TREB-:**  
Zum Verringern der Höheneffekte.
- 11) **ECHO-:**  
Zum Verringern der Echoeffekte.
- 12) **ECHO+:**  
Zum Erhöhen der Echoeffekte.
- 13) **WIEDERGABEWIEDERHOLUNG**  
Wählen Sie einen Wiederholungsmodus, indem Sie im USB-Eingangsmodus „REPEAT“ drücken.  
Zufällige Wiederholung, Einzelwiederholung, vollständige Wiederholung.
- 14) **TREB+:**  
Zum Erhöhen der Höheneffekte.
- 15) **LED SHOW:**  
Zum Umschalten des Lichtmodus zwischen LED1, LED2, LED3, LED4 und OFF (Aus).
- 16) **BASS +:**  
Zum Erhöhen der Basseffekte.
- 17) **X.BASS:**  
Diese Taste zum Ein-/Ausschalten

- zusätzlicher Basseffekte drücken.
- 18) LAUTSTÄRKE +  
Zum Erhöhen der Lautstärke.
- 19) GUITER/MIC VOL+:  
Zum Erhöhen der Gitarren- und Mikrofon-  
Lautstärke.
- 20) MUTE  
Diese Taste zum De-/aktivieren der  
Stummschaltung des Mikrofons drücken.
- 21) ►►/TU+:  
Aktivieren Sie den Schnellvorlauf eines  
Liedes, indem Sie im USB-Eingangsmodus  
„►►/TU+“ drücken.  
Passen Sie die Radiofrequenz an, indem

- Sie im UKW-Eingangsmodus die Taste „►►  
/TU+“ drücken.
- 22) ►||/AUTO:  
  - Zum Wiedergeben/Anhalten im  
USB/BT-Modus.
  - Im UKW-Modus für eine vollständige  
automatische Suche drücken.
- 23) DISCONNECT: Im BT-Modus zum Trennen  
und Koppeln mit einem neuen Gerät  
drücken.
- 24) STANDBY  
Zum Versetzen in den Bereitschaftsmodus  
bzw. zum Einschalten drücken.

## BEDIENUNG

### Bluetooth-Kopplung und -Verbindung

- Schalten Sie alle zuvor mit diesem Gerät gekoppelten (verbundenen) Bluetooth-Geräte aus.
- Schalten Sie die Bluetooth-Funktion an Ihrem Telefon oder Musikplayer ein.
- Schalten Sie das Gerät ein und versetzen Sie es in den Bluetooth-Modus. Das blinkende „bt“ am LED-Display zeigt an, dass sich das Gerät im Kopplungsmodus befindet.
- Stellen Sie Ihr Telefon oder Ihren Musikplayer auf die Suche nach Bluetooth-Geräten ein.
- Wählen Sie „Lenco PA-260“ aus den Suchergebnissen an Ihrem Telefon oder Musikplayer.
- Wählen Sie zum Koppeln dieses Gerätes mit Ihrem Telefon oder Musikplayer OK oder YES (Ja).
- Bei aktivierter Schutzfunktion geben Sie 0000 als Passwort ein. Blaues Leuchten zeigt eine erfolgreiche Verbindung an.
- Halten Sie die PAIR-Taste gedrückt, um die aktuelle Verbindung zu trennen und den Kopplungsmodus aufzurufen.

„Dieses Produkt besitzt eine Bluetooth-Empfangsfunktion, mit der Sie jedoch keine Klänge über Bluetooth übertragen können, d. h. Sie können nur Bluetooth-Audiosignale von externen Quellen wie beispielsweise einem Smartphone kabellos empfangen.“

### TWS- (True Wireless Stereo) Modus

1. Schalten Sie 2 PA-260 ein und wählen Sie an beiden Geräten Bluetooth als Eingangsmodus.
2. Drücken Sie die „TWS“-Taste am Lautsprecherset 2 Sekunden lang und „TWS“ erscheint am Display. Eine TWS-Verbindung wird zwischen den Lautsprechern hergestellt und nach erfolgreichem Verbindungsaufbau ertönt ein akustisches Signal und „bt“ wird angezeigt.
3. Schalten Sie die Bluetooth-Funktion an Ihrem Mobilgerät ein, um nach Bluetooth-Geräten zu suchen. Wählen Sie „Lenco PA-260“ aus den Suchergebnissen, wählen Sie zur Kopplung dieses Gerätes mit Ihrem Mobiltelefon OK oder YES (Ja) und ein stetiges blaues Licht zeigt an, dass die Verbindung erfolgreich hergestellt wurde und Sie Musik von Ihrem Mobiltelefon abspielen können
4. Halten Sie die „TWS“-Taste an Ihrem Lautsprecher 2 Sekunden gedrückt und die TWS-

Funktion wird nach Anzeige von „t oF“ ausgeschaltet.  
(Der „linke“ Kanal ist Lautsprecher A, der andere Lautsprecher ist der „rechte“ Kanal.)

## UKW-Radio bedienen

1. Vor Verwendung der Radiofunktionen müssen Sie die mitgelieferte Antenne anbringen. Passen Sie die Antenne für optimalen Empfang an. Drücken Sie zur Auswahl des UKW-Modus wiederholt die Taste [SOURCE].
2. Drücken Sie die Taste CH+/CH- an der Fernbedienung oder drücken Sie die Taste „◀◀/ ▶▶“ an der Oberblende, um den voreingestellten Sender zu überspringen.
3. Drücken Sie die Taste TU+/TU- an der Fernbedienung oder drücken Sie die Taste „◀◀/ ▶▶“ an der Oberblende, um die Radiofrequenz manuell anzupassen. Über die Zifferntasten an der Fernbedienung können Sie die Frequenz direkt auswählen. Geben Sie beispielsweise „8, 8, 1“ für die Frequenz 88,1 MHz oder „1, 0, 4, 0“ für die Frequenz 104,0 MHz ein.
4. Drücken Sie die PLAY-Taste an der Fernbedienung oder drücken Sie die Taste „▶▶“ an der Oberblende und das Gerät sucht von geringer bis hoher Frequenz nach Radiokanälen und speichert die Kanäle einzeln ab.

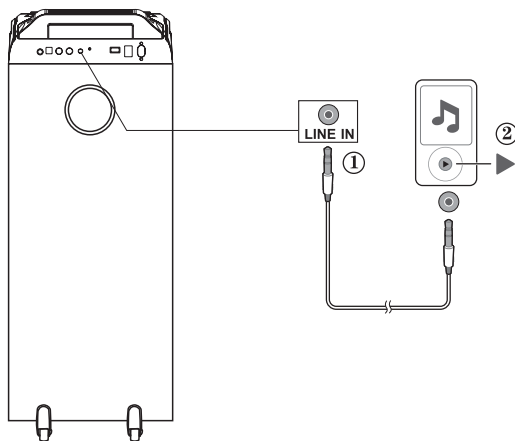
## BEDIENUNG

### BATTERIE

Im Netzbetrieb wird der Akku automatisch geladen. Ein langsam rot blinkendes Licht zeigt an, dass der Akku geladen wird. Bei vollständiger Aufladung wird ein grünes Licht angezeigt.

Im Akkumodus zeigt ein grünes Licht, dass der Akku voll ist. Bei geringem Akkustand wird ein rotes Licht angezeigt. Dies bedeutet, dass der Akku umgehend aufgeladen werden muss. Andernfalls schaltet sich der Lautsprecher aus.

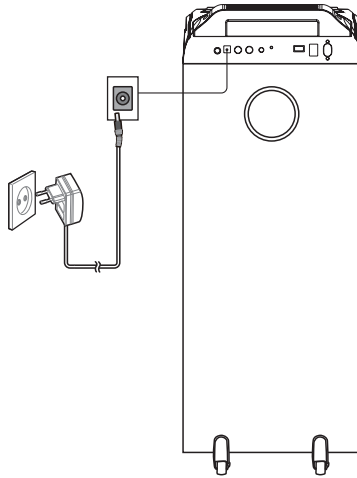
### LINE IN



EN	DE
LINE IN	LINE IN



Einschalten



## BEDIENUNG

### SPEZIFIKATIONEN

Frequenzgang:.....	25 Hz bis 20 kHz
Stromversorgung.....	100 bis 240 V Wechselspannung, 60/50 Hz
Leistungsaufnahme.....	120 W
Ausgangsleistung.....	150W
Mikrofon.....	Kabellos, 864 und 865 MHz
Bluetooth.....	V5.0
FM-RADIO.....	87,5 – 108 MHz
Geräteabmessungen (B x T x H).....	30,5 x 30 x 78,5 cm
Hochtöner-Größe.....	1 x 1 Zoll
Woofer-Größe.....	1 x 8 Zoll
Subwoofer-Größe.....	1 x 8 Zoll
Gerätengewicht.....	11 kg
Betriebstemperatur:.....	10 bis 40 °C

- Diese Angaben dienen lediglich als Richtwerte. Die Gewichts- und Größenangaben sind Näherungswerte.
- Unser Produkt wird permanent weiterentwickelt und unterliegt bezüglich Spezifikationen und Funktionen stillschweigenden Änderungen.

### Netzadapter (nur für EU)

Hersteller: GUANGZHOU GUANG ER ZHONG ELECTRONIC TECHNOLOGY CO., LTD

Modellnummer: GPUSW200300WD00

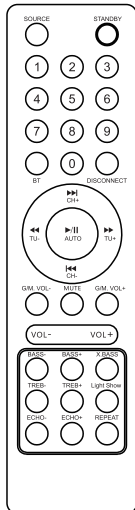
Benutzen Sie nur die in der Bedienungsanleitung angegebene Stromversorgung

Information	Wert und Genauigkeit
Name des Herstellers oder der Handelsmarke, kommerzielle Zulassung und Anschrift	
Modellidentifikator	20 V/3 A
Eingangsspannung	AC100-240V,DC20V
Wechselstromfrequenz des AC-Eingangs	50/60 Hz
Ausgangsspannung	20 V
Ausgangsstrom	3 A
Ausgangsleistung	60 W
Durchschnittliche Effizienz bei Normlast	88 %
Effizienz bei Niederlast (10 %)	85 %
Leistungsaufnahme bei Nulllast	0.15 W

## BEDIENUNG

Im Lieferumfang enthaltene Zubehörteile

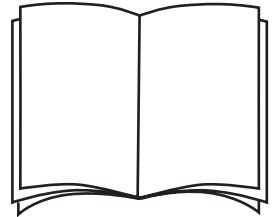
Fernbedienung



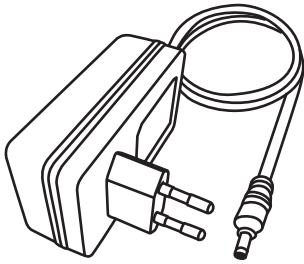
Antenne



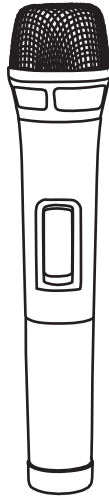
Bedienungsanleitung



Netzteil



Kabelloses Mikrofon x 2



---

## BEDIENUNG

### 1. Garantie

Lenco bietet Leistungen und Garantien im Einklang mit Europäischem Recht. Setzen Sie sich deshalb im Falle von Reparaturen (sowohl während als auch nach Ablauf der Garantiezeit) mit Ihrem Fachhändler in Verbindung.

Wichtiger Hinweis: Es ist nicht möglich, Produkte für Reparaturen direkt an Lenco zu schicken.

Wichtiger Hinweis: Wenn dieses Gerät für welchen Grund auch immer durch ein nicht offizielles Servicezentrum geöffnet wurde oder durch dieses Servicezentrum darauf zugegriffen wurde, erlischt die Garantie.

Dieses Gerät ist nicht für professionelle Zwecke geeignet. Falls das Gerät für professionelle Zwecke eingesetzt wird, erlöschen alle Garantieverpflichtungen seitens des Herstellers.

### 2. Haftungsausschluss

Aktualisierungen der Firmware und/oder Hardware-Komponenten werden regelmäßig durchgeführt. Aus diesem Grund können einige der Anleitungen, Spezifikationen und Abbildungen in dieser Dokumentation zu dem Ihnen vorliegenden Gerät leicht abweichen. Alle in diesem Handbuch beschriebenen Elemente dienen nur zur Illustration und treffen auf Ihre individuelle Situation möglicherweise nicht zu. Aus der in diesem Handbuch getätigten Beschreibung können keine Rechtsansprüche oder Leistungsanforderungen geltend gemacht werden.

### 3. Entsorgung des Altgeräts



Dieses Symbol zeigt an, dass das entsprechende Produkt oder dessen Akku/Batterie in Europa nicht mit dem normalen Hausmüll entsorgt werden darf. Um die ordnungsgemäße Abfallbehandlung des Produkts und dessen Akku/Batterie zu gewährleisten, müssen diese im Einklang mit allen anwendbaren örtlichen Vorschriften zur Entsorgung von Elektrogeräten und Akkus/Batterien entsorgt werden. Dabei helfen Sie, natürliche Ressourcen zu schonen und Umweltschutzstandards zur Verwertung und Entsorgung von Altgeräten aufrecht zu halten (Richtlinie über Entsorgung Elektrischer und Elektronischer Altgeräte).

### 4. CE-Kennzeichen

Hiermit erklärt Lenco Benelux B.V., Thermiekstraat 1a, 6361 HB Nuth, The Netherlands, dass dieses Produkt den grundsätzlichen Anforderungen der EU-Richtlinie entspricht.

Die Konformitätserklärung kann unter folgendem Link abgerufen werden [techdoc@commaxxgroup.com](mailto:techdoc@commaxxgroup.com)



### 5. Service

Besuchen Sie bitte für weitere Informationen und unseren Kundendienst unsere Homepage unter [www.lenco.com](http://www.lenco.com)

Lenco Benelux BV, Thermiekstraat 1a, 6361 HB, Die Niederlande.

**ATTENTION :**

L'utilisation de commandes ou de réglages ou l'exécution de procédures autres que ceux spécifiés dans ce manuel peut entraîner une exposition à des rayonnements dangereux.

**PRÉCAUTIONS AVANT UTILISATION**

---

**GARDEZ CES INSTRUCTIONS À L'ESPRIT :**

1. Ne couvrez pas et n'obtenez pas les ouvertures de ventilation. Lorsque vous placez l'appareil sur une étagère, laissez un espace libre de 5 cm (2 po) tout autour
2. Réalisez l'installation conformément au mode d'emploi fourni.
3. Gardez l'appareil à l'écart des sources de chaleur telles que radiateurs, appareils de chauffage, fours, bougies et autres produits générant de la chaleur ou une flamme nue. L'appareil ne peut être utilisé que dans des climats modérés. Les environnements extrêmement froids ou chauds doivent être évités. Température de fonctionnement entre 0 et 35 °C.
4. Évitez d'utiliser l'appareil à proximité de champs magnétiques puissants.
5. Des décharges électrostatiques peuvent perturber le fonctionnement normal de cet appareil. Dans ce cas, il suffit de réinitialiser et de redémarrer l'appareil en suivant le mode d'emploi. Pendant le transfert de fichiers, manipulez l'appareil avec précaution et faites-le fonctionner dans un environnement privé d'électricité statique.
6. Avertissement ! N'introduisez jamais d'objets dans l'appareil par les ouvertures et les fentes de ventilation. Étant donné que des tensions élevées sont présentes à l'intérieur du produit, l'insertion d'objets peut entraîner une électrocution ou court-circuiter les composants internes. Pour les mêmes raisons, ne versez pas de l'eau ou un liquide sur le produit.
7. Ne l'utilisez pas dans des endroits humides tels qu'une salle de bain, une cuisine pleine de vapeur ou à proximité d'une piscine.
8. L'appareil ne doit pas être exposé à des écoulements ou des éclaboussures et aucun objet contenant un liquide, tel qu'un vase, ne doit être posé sur ou près de l'appareil.
9. N'utilisez pas cet appareil lorsque de la condensation est possible. Lorsque vous utilisez l'appareil dans une pièce chaude et humide, des gouttelettes d'eau ou de la condensation peuvent se former à l'intérieur de l'appareil. Dans ce cas, l'appareil peut ne pas fonctionner correctement. Pour éviter tout risque, laissez l'appareil hors tension pendant 1 ou 2 heures avant de le mettre en marche : l'appareil doit être totalement sec avant de le mettre en marche.
10. Bien que ce dispositif soit fabriqué avec le plus grand soin et contrôlé à plusieurs reprises avant de quitter l'usine, il est toujours possible que des problèmes se produisent, comme avec tous les appareils électriques. Si l'appareil émet de la fumée ou en cas d'accumulation excessive de la chaleur ou d'un phénomène inattendu, débranchez immédiatement la fiche d'alimentation du secteur.

11. Cet appareil doit fonctionner avec la source d'alimentation indiquée sur la plaque signalétique. Si vous n'êtes pas sûr du type d'alimentation utilisé chez vous, contactez votre revendeur ou le fournisseur local d'électricité.
12. Tenez l'appareil à l'abri des animaux. Certains animaux adorent mordre les cordons d'alimentation.
13. Pour nettoyer l'appareil, servez-vous d'un chiffon doux et sec. N'utilisez pas de solvant ni d'autre liquide à base de pétrole.  
Pour enlever les taches importantes, vous pouvez vous servir d'un chiffon humide imbibé d'une solution de détergent diluée.
14. Le fournisseur n'est pas responsable des dommages ou pertes de données causés par un dysfonctionnement, une utilisation abusive, une modification de l'appareil ou un remplacement de la batterie.
15. N'interrompez pas la connexion lorsque l'appareil formate ou transfère des fichiers. Dans le cas contraire, les données pourraient être endommagées ou perdues.
16. Si l'appareil dispose d'une fonction de lecture USB, il faut brancher la clé USB directement sur l'appareil. N'utilisez pas un câble d'extension USB, car cela peut causer des interférences entraînant des pertes de données.
17. La plaque signalétique se situe en dessous ou à l'arrière de l'appareil.
18. Cet appareil ne doit pas être utilisé par des personnes (enfants compris) souffrant de handicaps physiques, sensoriels ou mentaux, ou manquant d'expérience et de connaissances, sauf si elles sont sous surveillance ou ont reçu des instructions sur l'utilisation correcte de l'appareil par la personne qui est responsable de leur sécurité.
19. Ce produit est conçu pour un usage non professionnel, et non commercial ou industriel.
20. Vérifiez que l'appareil est en position stable. La garantie ne couvre pas les dégâts occasionnés par l'utilisation de cet appareil en position instable, par les vibrations, les chocs ou par la non-observation de tout autre avertissement ou précaution contenus dans ce mode d'emploi.
21. N'ouvrez jamais cet appareil.
22. Ne placez jamais cet appareil sur un autre appareil électrique.
23. Ne laissez pas les sacs en plastique à la portée des enfants.
24. Utilisez uniquement les accessoires recommandés par le fabricant.
25. Confiez l'entretien et les réparations à un personnel qualifié. Une réparation est nécessaire lorsque l'appareil a été endommagé de quelque façon que ce soit, par exemple lorsque le cordon d'alimentation ou la prise sont endommagés, lorsqu'un liquide a été renversé ou des objets ont été introduits dans l'appareil, lorsque l'appareil a été exposé à la pluie ou à l'humidité, lorsqu'il ne fonctionne pas correctement ou lorsque l'appareil est tombé.
26. Une exposition prolongée à la musique avec un volume élevé peut entraîner une perte auditive temporaire ou permanente.
27. Si l'appareil est livré avec un câble d'alimentation ou un adaptateur secteur :
  - En cas de problème, débranchez le cordon d'alimentation CA et confiez l'entretien à un personnel qualifié.

- Ne marchez pas sur l'adaptateur secteur ni le coincez. Faites très attention, en particulier près des fiches et du point de sortie du câble. Ne placez pas d'objets lourds sur l'adaptateur secteur, car vous risquez de l'endommager. Gardez l'appareil hors de portée des enfants ! Ils pourraient se blesser gravement s'ils jouent avec le câble d'alimentation.
  - Débranchez cet appareil pendant les orages ou lorsqu'il n'est pas utilisé pendant une longue durée.
  - La prise secteur doit être installée près de l'appareil et doit être facilement accessible.
  - Ne surchargez pas les prises de courant ni les rallonges. Une surcharge peut entraîner un incendie ou une électrocution.
  - Les appareils de classe 1 doivent être branchés à une prise de courant disposant d'une connexion protectrice à la terre.
  - Les appareils de classe 2 ne nécessitent pas de connexion à la terre.
  - Tirez toujours sur la fiche pour débrancher le cordon de la prise secteur. Ne tirez pas sur le cordon d'alimentation. Cela pourrait provoquer un court-circuit.
  - N'utilisez pas un cordon ou une fiche d'alimentation endommagés ni une prise desserrée. Vous courez un risque d'incendie ou de décharge électrique.
28. Si le produit contient ou est livré avec une télécommande contenant des piles boutons :
- Avertissement :
- « N'ingérez pas la pile, car vous risquez une brûlure chimique » ou une formule équivalente.
  - [La télécommande fournie avec] Ce produit contient une pile bouton. Si la pile est avalée, elle peut causer de graves brûlures internes en seulement 2 heures et peut entraîner la mort.
  - Tenez les piles neuves et usagées hors de portée des enfants.
  - Si le compartiment à piles ne se ferme pas correctement, cessez d'utiliser l'appareil et tenez-le hors de portée des enfants.
  - Si vous pensez que les piles ont été avalées ou placées à l'intérieur d'une partie du corps, consultez un médecin immédiatement.
29. Mise en garde relative à l'utilisation des piles :
- Risque d'explosion si la pile est mal remplacée. Remplacez les piles par des piles d'un type identique ou équivalent.
  - Pendant l'utilisation, le stockage ou le transport, la pile ne doit pas être soumise à des températures extrêmement élevées ou basses, à une faible pression d'air à haute altitude.
  - Le remplacement d'une pile par une autre de type incorrect peut entraîner une explosion ou une fuite de liquide ou de gaz inflammable.
  - L'introduction d'une pile dans le feu ou dans un four chaud, l'écrasement ou le découpage mécanique peut entraîner une explosion.
  - L'exposition d'une pile dans un environnement à température extrêmement élevée peut entraîner une explosion ou une fuite de liquide ou de gaz

inflammable.

- L'exposition d'une pile à une pression d'air extrêmement basse peut entraîner une explosion ou une fuite de liquide ou de gaz inflammable.
- Veuillez considérer les questions environnementales lors de la mise au rebut des piles.

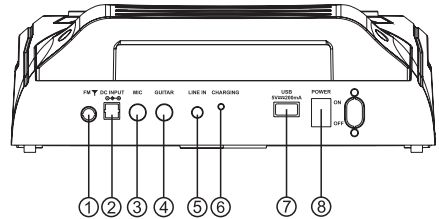
#### **INSTALLATION**

- Déballez toutes les pièces et enlevez le matériau de protection.
- Ne connectez pas l'unité au secteur avant d'avoir vérifié la tension du secteur et avant que toutes les autres connexions n'aient été effectuées.

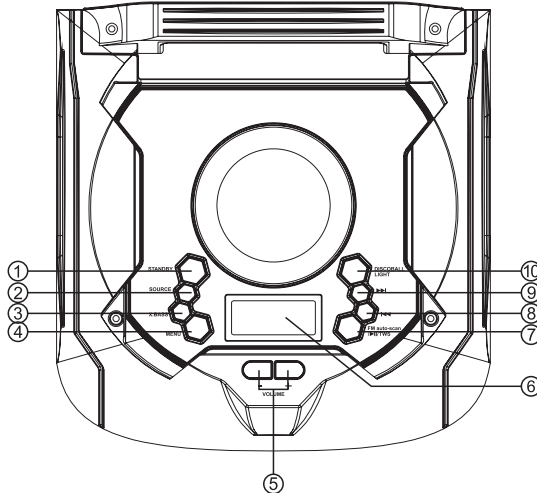


## PANNEAU ARRIÈRE

1. Antenne FM
2. ENTRÉE CC
3. MICRO : Prise d'entrée pour microphone filaire
4. GUITAR : Prise d'entrée pour guitare
5. LINE-IN : Prise d'entrée de ligne
6. Voyant de charge
7. USB : Prise d'entrée USB
8. INTERRUPTEUR MARCHÉ/ARRÊT : Appuyez sur cet interrupteur pour allumer ou éteindre l'appareil.



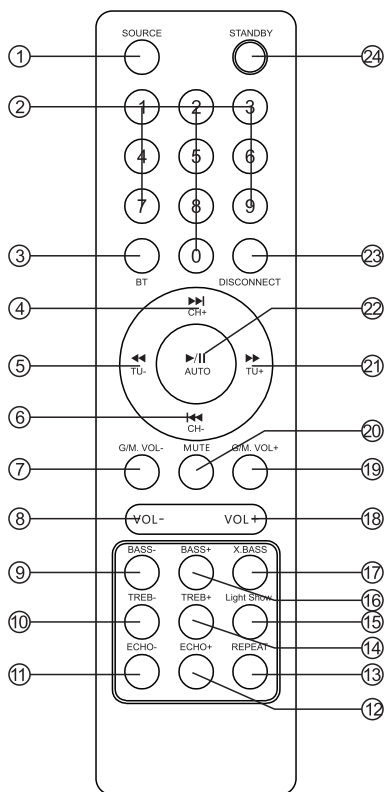
## PANNEAU DU HAUT



1. MISE EN VEILLE: Maintenez cette touche enfoncée pour mettre en veille, allumer et éteindre.
2. SOURCE : Appuyez sur cette touche pour changer les sources entre USB, BT, FM, LINE.
3. X.BASS : Appuyez sur cette touche pour activer ou désactiver l'effet de basse supplémentaire.
4. MENU : Appuyez sur cette touche pour naviguer entre les menus MIC, GUITAR, VOLUME, ECHO VOLUME, BASS, TREBLE.
5. VOLUME +/- : Pour régler le volume.
6. ÉCRAN LED : Pour afficher l'état des enceintes.
7. FM auto -scan/▶▶/TWS : En mode FM, appuyez sur ce bouton pour une recherche entièrement automatique. Appuyez sur ce bouton pour lire ou suspendre la lecture d'une piste en mode d'entrée USB/BT. Appuyez sur cette touche et maintenez-la enfoncée pour activer ou désactiver le mode TWS (true wireless stereo).
8. ◀◀ : Pour lire la chanson précédente en mode d'entrée USB/BT.
9. ▶▶ : Pour lire la chanson suivante en mode d'entrée USB/BT.

10. DISCOBALL / LIGHT : Maintenez cette touche enfoncée pour allumer ou éteindre la boule disco. Appuyez pour changer le mode d'éclairage du haut-parleur avant entre LED1, LED2, LED3, LED4, ÉTEINTE.

## TÉLÉCOMMANDE



- 1) **SOURCE**  
Appuyez sur ce bouton pour faire basculer la source entre USB, AUX,BT ,FM
- 2) **TOUCHES NUMÉRIQUES 0~9** Ces touches sont utilisées pour lire une piste directement en mode source USB. EX. : Pour lire la 12e piste de la liste de lecture « 1 » suivie de « 2 ». En mode FM, pour sélectionner le canal enregistré ou entrer directement la fréquence de la station.
- 3) En mode BT Appuyez sur ce bouton pour passer en mode de couplage Bluetooth.
- 4) **▶▶/CH+**  
Lire la chanson suivante en appuyant sur « ▶▶/CH+ » en mode d'entrée USB/BT.

- 5) **◀◀/TU-**  
Rembobiner rapidement une chanson en appuyant sur « ◀◀/TU- » en mode d'entrée USB.  
Régler la fréquence radio en appuyant sur ◀◀/TU+ en mode d'entrée FM.
- 6) **◀◀/CH-**  
Lire la chanson précédente en appuyant sur « ◀◀/CH- » en mode d'entrée USB/BT.  
Régler le canal précédent en appuyant sur ◀◀/CH- en mode d'entrée FM.
- 7) **GUI TER/MIC VOL-** Pour baisser le volume de la guitare et des micros.
- 8) **VOL-** Appuyez dessus pour baisser le volume.
- 9) **BASSES-**  
Pour diminuer l'effet des basses.
- 10) **TREB-**  
Pour diminuer l'effet des aigus.
- 11) **ÉCHO-**  
Pour diminuer l'effet de l'écho.
- 12) **ÉCHO+**  
Pour augmenter l'effet de l'écho.
- 13) **RÉPÉTITION**  
Choisissez le mode de répétition en appuyant sur « REPEAT » en mode d'entrée USB.  
Répéter aléatoire, unique, tous.
- 14) **TREB+**  
Pour augmenter l'effet des aigus.
- 15) **LED SHOW**  
Appuyez pour changer le mode d'éclairage entre LED1,LED2,LED3,LED4, ÉTEINT.
- 16) **BASSES+**  
Pour augmenter l'effet des basses.
- 17) **X.BASS**  
Appuyez sur cette touche pour activer ou désactiver l'effet de basse supplémentaire.
- 18) **VOL+**  
Pour augmenter le volume.
- 19) **GUI TER/MIC VOL+**  
Pour augmenter le volume de la guitare et du micro.

- 20) MUTE  
Appuyez sur cette touche pour couper ou rétablir le volume du haut-parleur.
- 21) ►►/TU +  
Avancer rapidement une chanson en appuyant sur « ►► /TU+ » en mode d'entrée USB.  
Régler la fréquence radio en appuyant sur « ►►/TU+ » en mode d'entrée FM.
- 22) ►||/AUTO
- Lire / suspendre en mode USB/BT.
  - En mode FM, appuyez sur ce bouton pour une recherche entièrement automatique.
- 23) DISCONNECT In BT, Appuyez sur cette touche pour vous déconnecter et vous connecter à un nouvel appareil.
- 24) VEILLE  
Appuyez sur la touche pour activer/désactiver la veille.

## FONCTIONNEMENT

### Appariement et connexion Bluetooth

- Désactivez tous les appareils Bluetooth précédemment appariés (associés) à cet appareil.
- Activez la fonction Bluetooth sur votre téléphone ou votre lecteur audio.
- Mettez en marche cet appareil et réglez-le en mode Bluetooth. Le clignotement : de « bt » à l'écran LED indique que l'appareil est en mode d'appairage.
- Recherchez les appareils Bluetooth avec votre téléphone ou lecteur audio.
- Sélectionnez « Lenco PA-260 » dans les résultats de recherche sur votre téléphone ou lecteur audio.
- Sélectionnez OK ou YES (oui) pour appairer cet appareil avec votre téléphone ou lecteur audio.
- Si un mot de passe est demandé, saisissez 0000, puis la connexion sera établie si le voyant bleu reste allumé.
- Maintenez la touche d'appairage enfoncée pour désactiver la connexion en cours actuel et passer en mode d'appairage.

« Ce produit est doté d'une fonction de **réception** bluetooth, **vous ne pouvez pas l'utiliser pour transmettre un son bluetooth** : cela signifie que vous pouvez recevoir sans fil un signal sonore bluetooth d'une source externe comme un smartphone. »

### Mode TWS (True Wireless Stereo) :

1. Allumez 2 PA-260 et sélectionnez le mode INPUT des deux unités comme Bluetooth.
  2. Appuyez sur la touche « TWS » de l'enceinte et maintenez-la enfoncée pendant 2 secondes, l'écran affiche « ㊦ ㊦ », TWS est en train de se connecter à une autre enceinte et se connectera avec succès après une indication sonore ou l'affichage de « bt ».
  3. Activez la fonction Bluetooth de votre téléphone portable pour rechercher des périphériques Bluetooth et sélectionnez « Lenco PA-260 » dans les résultats de la recherche, sélectionnez OK ou YES (OUI) pour coupler cette unité avec votre téléphone portable. Une lumière bleue continue indique que la connexion est réussie et que vous pouvez lire la musique de votre téléphone portable.
  4. Appuyez sur la touche « TWS » de l'enceinte et maintenez-la enfoncée pendant 2 secondes et la fonction TWS sera désactivée après l'affichage de « ㊦ ㊦ » à l'écran.
- (Le canal « LEFT » (GAUCHE) représente l'enceinte A, l'autre enceinte est représentée par le canal « RIGHT » (DROIT)).

## Fonctionnement de la radio FM

1. Avant d'utiliser les fonctions de la radio, vous devez fixer l'antenne fournie. Orientez l'antenne afin d'obtenir une bonne réception. Appuyez plusieurs fois sur [SOURCE] pour sélectionner le mode FM.
2. Appuyez sur la touche CH+/CH- de la télécommande ou maintenez la touche « **◀◀/▶▶** » sur le panneau supérieur pour passer à la station préréglée.
3. Appuyez sur la touche TU+/TU- de la télécommande ou sur la touche « **◀◀/▶▶** » du panneau supérieur pour régler manuellement la fréquence radio. La touche numérique de la télécommande permet de sélectionner directement la fréquence. Par exemple, entrez les touches « 8, 8, 1 » pour 88.1 MHz, les touches « 1, 0, 4, 0 » pour 104.0 MHz.
4. Appuyez sur la touche PLAY de la télécommande ou sur la touche « **▶▶** » du panneau supérieur, l'appareil balaie les stations radio de basse à haute fréquence et les mémorise l'une après l'autre.

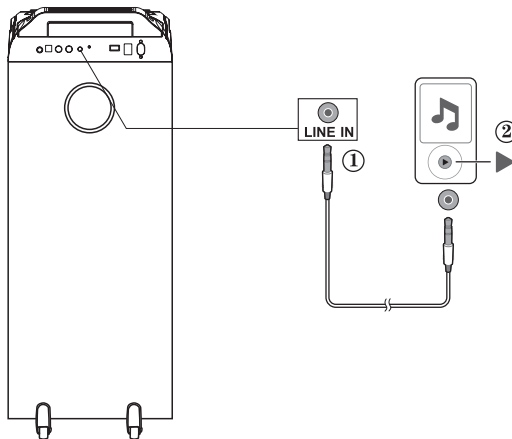
## FONCTIONNEMENT

### BATTERIE

En mode CA (alimentation), la batterie se charge automatiquement. Une lumière rouge clignotant lentement indique que la batterie est en train de se charger. Lorsque la charge est complète, un voyant vert s'affiche.

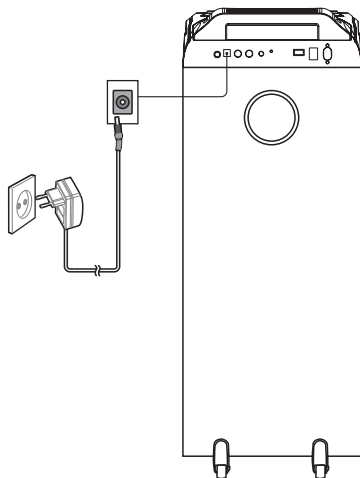
En mode CC (batterie), un voyant vert indique que la batterie est pleine. Si le niveau de la batterie est faible, un voyant rouge s'affiche. Cela indique que la batterie doit être immédiatement rechargée ou l'enceinte s'éteindra.

### ENTRÉE LIGNE



EN	FR
LINE IN	ENTRÉE LIGNE

## Mise en marche



## FONCTIONNEMENT

### CARACTÉRISTIQUES

Réponse en fréquence .....	25 Hz-20 KHz
Source d'alimentation.....	100-240 V~, 60/50 Hz
Puissance consommée .....	120 W
Puissance de sortie.....	150W
Microphone .....	Sans fil 864 et 865 MHz
Bluetooth.....	V5.0
Radio FM.....	87,5 à 108 MHz
Dimensions de l'appareil (L X P X H) .....	30,5 x 30 x 78,5 cm
Taille du haut-parleur d'aiguës .....	1 x 1 pouce
Taille du haut-parleur.....	1 x 8 pouces
Taille du caisson de basses.....	1 x 8 pouces
Poids de l'appareil.....	11 kg
Température de fonctionnement.....	10-40 °C

- Les caractéristiques sont indiquées uniquement à titre indicatif. Les valeurs de poids et de taille sont des approximations.
- Étant donné que nous améliorons constamment nos produits, leurs caractéristiques et fonctions peuvent changer sans préavis.

## Adaptateur d'alimentation (uniquement pour l'Europe)

Fabricant : GUANGZHOU GUANG ER ZHONG ELECTRONIC TECHNOLOGY CO., LTD

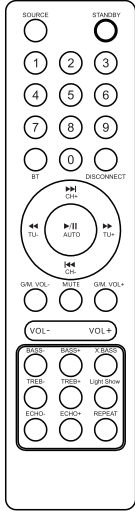
Numéro du modèle : GPUSW2003000WD00

Utilisez uniquement l'alimentation électrique indiquée dans le mode d'emploi.

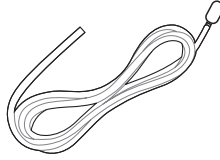
Informations	Valeur et précision
Nom ou marque du fabricant, enregistrement commercial et adresse	
Référence du modèle	20 V/3 A
Tension d'entrée	AC100-240V,DC20V
Fréquence d'entrée CA	50/60 Hz
Tension de sortie	20 V
Courant de sortie	3 A
Puissance de sortie	60 W
Rendement moyen en mode actif	88 %
Rendement à faible charge (10 %)	85 %
Consommation électrique sans charge	0.15 W

## Accessoires inclus

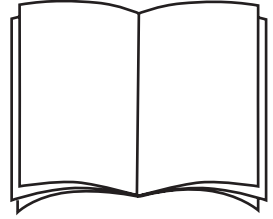
Télécommande



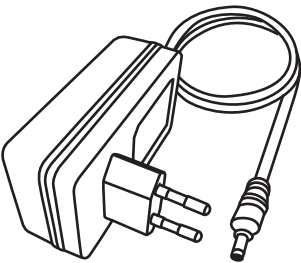
Antenne



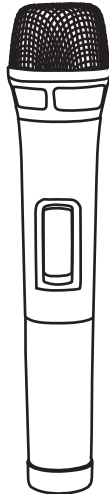
Mode d'emploi



Adaptateur CA



2 Microphones sans fil



### 1. Garantie

Lenco propose un service et une garantie conformément à la législation européenne, ce qui signifie qu'en cas de besoin de réparation (aussi bien pendant et après la période de garantie), vous pouvez contacter votre revendeur le plus proche.

Remarque importante : il n'est pas possible de renvoyer l'appareil pour réparation directement à Lenco.

Remarque importante : Si l'appareil est ouvert ou modifié de quelque manière que ce soit par un réparateur non agréé, la garantie sera caduque.

Cet appareil ne convient pas à une utilisation professionnelle. En cas d'utilisation professionnelle, les obligations de garantie du fabricant seront annulées.

### 2. Clause de non-responsabilité

Des mises à jour du logiciel ou des composants informatiques sont régulièrement effectuées. Il se peut donc que certaines instructions, caractéristiques et images présentes dans ce document diffèrent légèrement de votre configuration spécifique. Tous les articles décrits dans ce guide sont fournis uniquement à des fins d'illustration et peuvent ne pas s'appliquer à une configuration spécifique. Aucun droit légal ne peut être obtenu depuis les informations contenues dans ce manuel.

### 3. Mise au rebut de l'appareil usagé



Ce symbole indique que le produit électrique concerné ainsi que les piles ne doivent pas être jetés avec les autres déchets ménagers en Europe. Pour garantir un traitement correct des piles et de l'appareil usagés, veuillez les mettre au rebut conformément aux réglementations locales en vigueur relatives aux appareils électriques et autres piles. En agissant de la sorte, vous contribuerez à la préservation des ressources naturelles et à l'amélioration des niveaux de protection environnementale concernant le traitement et la destruction des déchets électriques (directive sur les déchets des équipements électriques et électroniques).

### 4. Marquage CE

Par la présente, Lenco Benelux B.V., Thermiekstraat 1a, 6361 HB Nuth, Pays-Bas, déclare que ce produit est conforme aux exigences principales des directives européennes.

La déclaration de conformité peut être consultée via [techdoc@commaxxgroup.com](mailto:techdoc@commaxxgroup.com)



### 5. Service après-vente

Pour en savoir plus et obtenir de l'assistance, visitez [www.lenco.com](http://www.lenco.com)

Lenco Benelux BV, Thermiekstraat 1a, 6361 HB, Pays-Bas.



**PRECAUCIÓN:**

El uso de controles o ajustes distintos, o llevar a cabo procedimientos distintos a aquéllos aquí especificados puede tener como consecuencia una exposición peligrosa a la radiación.

**PRECAUCIONES PREVIAS AL USO**

---

**TENGA ESTAS INSTRUCCIONES EN MENTE:**

1. No cubra o bloquee ninguna apertura de ventilación. Cuando coloque el aparato sobre una estantería, deje 5 cm (2") de espacio libre alrededor de todo el aparato.
2. Instálelo conforme al manual de usuario que se adjunta.
3. Mantenga el aparato alejado de fuentes de calor, como radiadores, calentadores, estufas, velas u otros productos que generen calor o llama viva. El aparato solo puede usarse en climas moderados. Se deben evitar los ambientes extremadamente fríos o cálidos. Temperatura de funcionamiento entre 0 ° y 35 °C.
4. Evite usar el dispositivo cerca de campos magnéticos fuertes.
5. Una descarga electrostática puede entorpecer el uso normal de este dispositivo. En tal caso, simplemente reinicielo siguiendo el manual de instrucciones. Durante la transmisión de archivos, por favor manéjelo con cuidado opérelolo en un entorno libre de electricidad estática.
6. ¡Advertencia! Nunca inserte un objeto en el producto a través de las ventilaciones o aperturas. Alto voltaje fluye a través del producto e insertar un objeto puede provocar una descarga eléctrica y/o un cortocircuito de sus componentes internos. Por el mismo motivo, no derrame agua o líquidos en el producto.
7. No lo utilice en zonas húmedas, como cuartos de baño, cocinas en las que se forme vapor ni cerca de piscinas.
8. El aparato no debe exponerse a goteos o salpicaduras y asegúrese de que se colocan sobre o cerca del aparato objetos llenos de líquidos, como jarrones.
9. No use este dispositivo cuando se pueda producir condensación. Cuando utilice la unidad en una habitación húmeda y cálida con humedad, pueden generarse gotas de agua o condensación dentro de la unidad y es posible que no funcione correctamente; apague la unidad durante 1 o 2 horas antes de encenderla de nuevo: el aparato debe estar seco antes de conectarse a una fuente de alimentación.
10. Aunque este dispositivo está fabricado con el máximo cuidado y comprobado varias veces antes de salir de fábrica, todavía es posible que se puedan producir problemas, al igual que con todos los aparatos eléctricos. Si observa la aparición de humo, una acumulación excesiva de calor o cualquier otro fenómeno inesperado, deberá desconectar inmediatamente el enchufe de la toma de corriente.
11. Este dispositivo debe funcionar con una fuente de alimentación que se especifica en la etiqueta de especificaciones. Si no está seguro del tipo de alimentación que se usa en su hogar, consulte con el distribuidor o una compañía eléctrica local.

12. Manténgalo alejado de los animales. A algunos animales les gusta morder los cables de alimentación.
13. Para limpiar el dispositivo use un paño seco y suave. No utilice líquidos disolventes ni con base de petróleo.  
Para eliminar manchas difíciles, puede usar un paño húmedo con detergente diluido.
14. El proveedor no asume ninguna responsabilidad por daños o datos perdidos provocados por un funcionamiento incorrecto, uso incorrecto, modificación del dispositivo o sustitución de la batería.
15. No interrumpa la conexión cuando el dispositivo esté formateando o transfiriendo archivos. En caso contrario, los datos se pueden estropear o perder.
16. Si la unidad dispone de función de reproducción USB, se debe conectar la memoria USB directamente en la unidad. No utilice cables de extensión USB ya que pueden crear interferencias que causen una pérdida de datos.
17. La etiqueta de calificación aparece marcada en el panel inferior o posterior del dispositivo.
18. Este aparato no está diseñado para su uso por personas (incluyendo niños) con discapacidades físicas, sensoriales o mentales o con falta de experiencia o conocimientos, salvo que estén bajo la supervisión o hayan recibido formación sobre el uso correcto del dispositivo por parte de una persona responsable de su seguridad.
19. Este producto está diseñado para un uso no profesional únicamente y no para un uso comercial o industrial.
20. Asegúrese de que la unidad esté fijada en una posición estable. La garantía no cubrirá los daños derivados de usar este producto en una posición inestable, vibraciones o golpes o por no seguir otras advertencias o precauciones que aparecen en este manual de usuario.
21. Nunca retire la carcasa del dispositivo.
22. Nunca coloque este dispositivo sobre otro equipo eléctrico.
23. Mantenga las bolsas de plástico fuera del alcance de los niños.
24. Use únicamente los dispositivos/accesorios especificados por el fabricante.
25. Remita todas las reparaciones al personal cualificado. Es necesario el mantenimiento cuando el dispositivo presenta daños en cualesquiera manera, como el cable de alimentación o el enchufe, cuando se haya vertido líquido o se hayan caído objetos en el dispositivo, cuando el dispositivo se haya expuesto a la lluvia o humedad, cuando no funcione normalmente o cuando se haya caído.
26. Una larga exposición a sonidos elevados de reproductores de música personales puede provocar una pérdida de audición temporal o permanente.
27. Si el producto viene con un cable de alimentación o un adaptador de corriente de CA:
  - Si se produce cualquier problema, desconecte el cable de alimentación CA y remítase al mantenimiento de personal cualificado.
  - No pise o pince el adaptador de alimentación. Tenga mucho cuidado, en especial cerca de las tomas y el punto de salida del cable. No coloque objetos

pesados en el adaptador de alimentación, ya que pueden dañarlo. ¡Mantenga el dispositivo fuera del alcance de los niños! Si juegan con el cable de alimentación, puede sufrir lesiones graves.

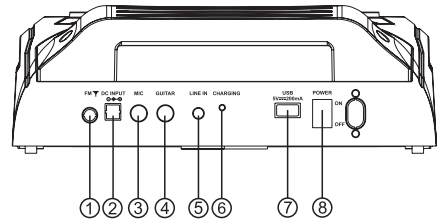
- Desconecte el dispositivo durante tormentas eléctricas o cuando no vaya a usarse durante periodos prolongados de tiempo.
  - La salida de la toma debe instalarse cerca del equipo y debe ser fácilmente accesible.
  - No sobrecargue las tomas CA o los cables de extensión. La sobrecarga puede provocar un incendio o una descarga eléctrica.
  - Los dispositivos con construcción de Clase 1 deben estar conectados a una toma de corriente con una conexión a tierra protegida.
  - Los dispositivos con construcción Clase 2 no requieren una conexión a tierra.
  - Sujete siempre el enchufe cuando los extraiga de la toma de corriente. No tire del cable de alimentación. Esto puede provocar un cortocircuito.
  - No utilice un cable de alimentación o enchufe deteriorado o una toma suelta. Si lo hace, podría provocar un incendio o una descarga eléctrica.
28. Si el producto contiene o se entrega con un mando a distancia que contiene pilas de botón / celdas:
- Advertencia:
- “Ni ingiera la pila, riesgo de quemadura química” o frase equivalente.
  - [El mando a distancia que se suministra] Este producto contiene una pila de tipo botón/moneda. Si la pila se traga, puede provocar graves quemaduras internas en sólo 2 horas y podría ocasionar la muerte.
  - Mantenga las pilas nuevas o usadas fuera del alcance de los niños.
  - Si el compartimiento de las pilas no se cierra correctamente, deje de usar el producto y no lo deje al alcance los niños.
  - Si tiene la sospecha de que una pila ha sido ingerida o se encuentra en algún lugar del cuerpo, busque inmediatamente atención médica.
29. Precaución sobre el uso de las pilas:
- Existe riesgo de explosión si la pila no se sustituye correctamente. Sustitúyala únicamente con otra del mismo tipo u otro equivalente.
  - No se pueden exponer las pilas a temperaturas extremadamente altas o bajas, baja presión de aire a gran altitud durante el uso, almacenamiento o transporte.
  - Si cambia las pilas por otras que no son las correctas, se puede producir una explosión o la fuga de líquidos o gases inflamables.
  - Si arroja las pilas al fuego o a un horno caliente, o aplasta o corta mecánicamente una pila, podría provocar una explosión.
  - Si deja las pilas en un lugar con temperaturas extremadamente altas, se puede producir una explosión o una fuga de líquido o gas inflamable.
  - Si se exponen las pilas a una presión de aire extremadamente baja, se puede producir una explosión o la fuga de líquidos o gases inflamables.
  - Se debe prestar atención a los aspectos medioambientales sobre la eliminación de baterías.

## **INSTALACIÓN**

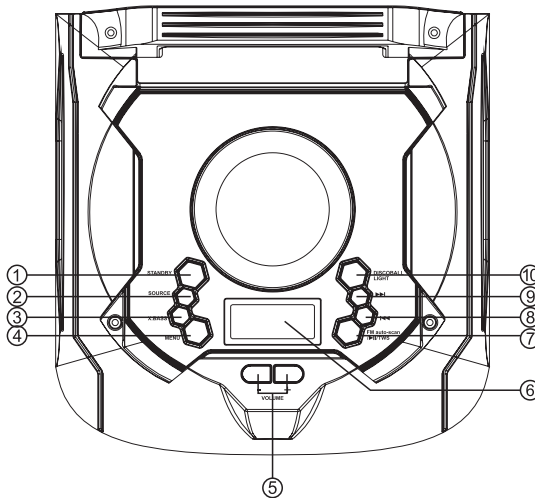
- Desembale todas las piezas y retire el material protector.
- No conecte la unidad a la corriente eléctrica antes de comprobar la tensión de la corriente y antes de que se hayan hecho todas las demás conexiones.

## PANEL POSTERIOR

1. Antena FM
2. ALIMENTACIÓN CC
3. MICRÓFONO: Toma de entrada del micrófono con cable
4. GUITARRA: Toma de entrada de la guitarra
5. ENTRADA DE LÍNEA: Toma de entrada de línea
6. Luz de carga
7. USB: Toma de entrada USB
8. INTERRUPTOR DE CORRIENTE: Pulse este interruptor para encender y apagar la unidad.



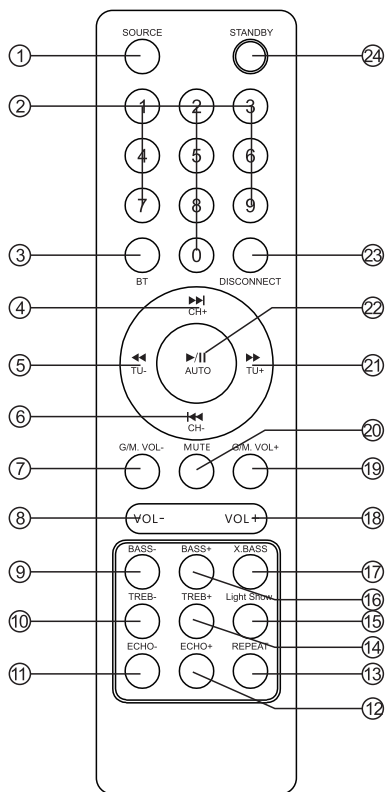
## PANEL SUPERIOR



1. STANDBY: Manténgalo pulsado para el modo en espera ENCENDIDO y APAGADO.
2. SOURCE: Pulse esta tecla para cambiar las fuentes entre USB, BT, FM, LINE.
3. X.BASS: Pulse la tecla para encender / apagar el efecto de bajos extra.
4. MENU: Pulse esta tecla para cambiar el menú entre MIC, GUITAR, VOLUME, ECHO VOLUME, BASS, TREBLE.
5. VOLUMEN +/-: Para ajustar los niveles.
6. LED DISPLAY: Para mostrar el estado del altavoz.
7. Búsqueda automática FM /▶▶/TWS: En modo FM, púlselo para realizar una búsqueda automática. Púlselo para PLAY/PAUSE (REPRODUCIR / HACER UNA PAUSA) en una pista en el modo de entrada USB/BT. Manténgalo pulsado para cambiar el modo TWS (estéreo inalámbrico verdadero) entre encendido y apagado.
8. ◀◀: Para reproducir la canción anterior en el modo de entrada USB/BT.
9. ▶▶: Para reproducir la canción siguiente en el modo de entrada USB/BT.

10. DISCOBALL / LIGHT: Mantenga pulsada esta tecla para conectar o desconectar la DISCOBALL (bola de discoteca). Púlselo para cambiar el modo de luz del altavoz delantero entre LED1, LED2, LED3, LED4, OFF.

## MANDO A DISTANCIA



- 1) SOURCE  
Púlselo para cambiar la fuente entre USB, AUX,BT ,FM
- 2) TECLAS NUMÉRICAS 0~9 Estas teclas se usan para reproducir una pista directamente en modo de fuente USB. Ej.: Para reproducir la pista 12ª en la lista de reproducción USB, pulse la tecla numérica "1" seguida de "2". En FM, para seleccionar un canal guardado o introducir una frecuencia de emisora directamente
- 3) BT Púlselo para entrar en el modo de emparejamiento Bluetooth.
- 4) ►►/CH+  
Reproduce la siguiente canción pulsando "►►/CH+" en el modo de entrada USB/BT. Ajusta el siguiente canal pulsando "►►/CH+" en el modo de entrada FM.
- 5) ◀◀/TU-  
Rebobina rápidamente una canción pulsando "◀◀/TU-" en el modo de entrada USB. Ajusta la frecuencia de radio pulsando "◀◀/TU-" en el modo de entrada FM.
- 6) ◀◀/CH-  
Reproduce la canción anterior pulsando "◀◀/CH-" en el modo de entrada USB BT. Ajusta el canal anterior pulsando "◀◀/CH-" en el modo de entrada FM.
- 7) GUITER/MIC VOL- para disminuir el volumen de la guitarra y del MICRÓFONO.
- 8) VOL- Para disminuir el volumen.
- 9) BASE-  
Para disminuir el efecto de bajos.
- 10) TREB-  
Para disminuir el efecto de agudos.
- 11) ECO-  
Para disminuir el efecto de eco.
- 12) ECO+  
Para aumentar el efecto de eco
- 13) REPEAT  
Elija el modo repetir pulsando "REPEAT" en el modo de entrada USB. Repetir aleatoriamente, una canción individual, todo.
- 14) TREB+  
Para aumentar el efecto de agudos.
- 15) ESPECTÁCULO DE LUCES LED  
Para cambiar el modo de luz entre LED1,LED2,LED3,LED4,OFF.
- 16) BASS+  
Para aumentar el efecto de bajos.
- 17) X.BASS  
Pulse esta tecla para conectar / desconectar el efecto de bajos extra.
- 18) VOL+  
Para aumentar el volumen.

- 19) VOLUMEN + GUITARRA/MICRÓFONO  
Para aumentar el volumen de la GUITARRA Y MICRÓFONO.
- 20) MUTE  
Pulse esta tecla para SILENCIAR / DAR VOLUMEN al volumen del altavoz.
- 21) ►►/TU +  
Avance rápidamente la canción pulsando "►►/TU+" en el modo de entrada USB.  
Ajuste la frecuencia de radio pulsando "►►/TU+" en el modo de entrada FM.
- 22) ►||/AUTO
  - Reproduce / hace una pausa en el modo USB/BT.
  - En modo FM, púlselo para realizar una búsqueda automática completa.
- 23) DISCONNECT en BT: púlselo para desconectar y emparejarlo con un nuevo dispositivo.
- 24) STANDBY  
Tecla en Espera CONECTADO / DESCONECTADO.

## FUNCIONAMIENTO

### Emparejamiento y conexión Bluetooth

- Desconecte cualquier dispositivo Bluetooth emparejado previamente (vinculado) con esta unidad.
- Conecte la propiedad Bluetooth de su teléfono o reproductor de música.
- Conecte y fije esta unidad en modo Bluetooth. "bt" parpadeando: en la pantalla LED indica que está en modo emparejamiento.
- Fije su teléfono o reproductor de música para que busque los dispositivos Bluetooth.
- Seleccione "Lenco PA-260" de los resultados de la búsqueda en su teléfono o reproductor de música.
- Seleccione OK o YES (SÍ) para emparejar esta unidad con su teléfono o reproductor de música.
- Si está protegido, introduzca 0000 como contraseña; la luz azul constante indica una conexión con éxito.
- Mantenga pulsada la tecla de emparejamiento para desconectar la conexión actual y entrar en modo de emparejamiento.

«Este producto dispone de una función de **recepción** bluetooth, **no puede transmitir ningún sonido bluetooth con ella**: esto significa que puede recibir de forma inalámbrica una señal de sonido bluetooth desde una fuente externa como un smartphone».

### Modo TWS (Estéreo Inalámbrico Verdadero)

1. Conecte los 2 PA-260 y seleccione en ambos el modo INTRODUCIR como Bluetooth.
2. Pulse la tecla "TWS" en el conjunto de altavoces durante 2 segundos; mostrará "TWS" en la pantalla; TWS se conecta al altavoz de otro equipo y se conectará correctamente una vez que haya una indicación de sonido o que la pantalla muestra "bt".
3. Encienda la propiedad Bluetooth del dispositivo móvil para buscar dispositivos Bluetooth y seleccione "Lenco PA-260" de los resultados de la búsqueda; seleccione OK o YES (SÍ) para emparejar esta unidad con el teléfono móvil y una luz azul constante indicará que la conexión se ha realizado correctamente y que puede reproducir cualquier tipo de música desde su teléfono móvil.
4. Pulse la tecla "TWS" en la unidad del altavoz durante 2 segundos y desconectará las propiedades TWS una vez que se muestre "TWS" en la pantalla.

(El canal "LEFT (IZQUIERDO)" será el altavoz A; el otro altavoz será el canal "RIGHT (DERECHO)".)

## Funcionamiento de la radio FM

1. Antes de usar las funciones de la radio, debe adjuntar la antena que se suministra. Ajuste la antena para obtener una recepción óptima.  
Pulse [SOURCE (FUENTE)] de forma reiterada para seleccionar el modo FM.
2. Pulse la tecla CH+/CH- del mando a distancia o mantenga pulsada la tecla “◀◀/▶▶” situada en el panel superior para saltar a la emisora presintonizada.
3. Pulse la tecla TU+/TU- del mando a distancia o pulse la tecla “◀◀/▶▶” situada en el panel superior para ajustar la frecuencia de radio manualmente.  
La tecla numérica del mando a distancia puede seleccionar la frecuencia directamente.  
Como pulsar las teclas “8, 8, 1” para 88.1MHz, las teclas “1, 0, 4, 0” para 104.0MHz.
4. Pulse la tecla del mando a distancia o pulse la tecla “▶▶” situada en el panel superior; el aparato buscará canales de radio desde baja frecuencia a alta frecuencia por sí mismo y memorizará los canales uno a uno.

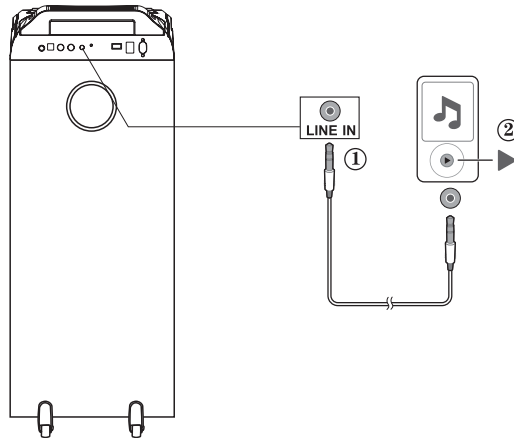
## FUNCIONAMIENTO

### BATERÍA

En modo CA (power (corriente)) la batería se cargará automáticamente. Una luz roja lenta que parpadea indica que la batería se está cargando. Cuando esté completamente cargado se mostrará una luz verde.

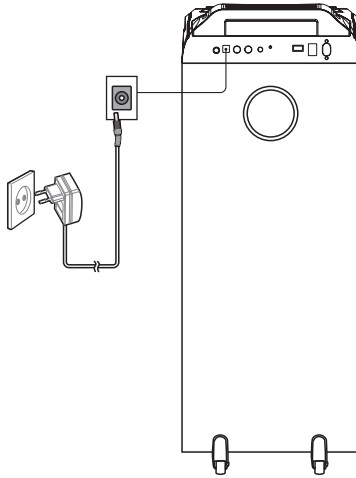
En modo CC (battery (batería)) una luz verde indica que el nivel de batería está completo. Si el nivel de batería está bajo, se muestra una luz roja. Esto indica que la batería debe cargarse inmediatamente o se apagará el altavoz.

### ENTRADA DE LÍNEA



EN	ES
LINE IN	ENTRADA DE LÍNEA





## FUNCIONAMIENTO

### ESPECIFICACIONES

Respuesta de frecuencia .....	25 Hz-20 KHz
Fuente de alimentación .....	100-240 V~, 60/50 Hz
Consumo de energía .....	120 W
Potencia de salida .....	150W
Micrófono .....	Inalámbrico 864 y 865 MHz
Bluetooth .....	V5.0
Radio FM .....	87,5-108 MHz
Tamaño de la unidad (A x D x A) .....	30.5 x 30 x78.5 cm
Tamaño del altavoz de agudos .....	2,54 x 2,54 cm
Tamaño del woofer .....	1 x 20 cm
Tamaño del subwoofer .....	1 x 20 cm
Peso de la unidad .....	11 kg
Temperatura de funcionamiento .....	10-40 °C

- La especificación se presenta solo como referencia. Los valores del peso y del tamaño son aproximados.
- Nuestro producto se mejora constantemente y las especificaciones y funciones pueden cambiarse sin previo aviso.

## Adaptador de corriente (Sólo para la UE)

Fabricante: GUANGZHOU GUANG ER ZHONG ELECTRONIC TECHNOLOGY CO., LTD

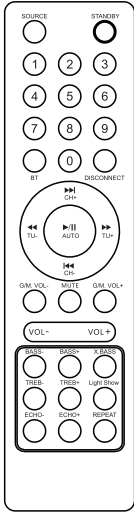
Número de modelo: GPUSW2003000WD00

Utilice únicamente la fuente de alimentación indicada en las instrucciones de uso

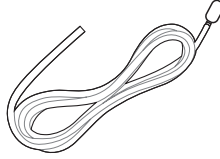
Información	Valor y precisión
Nombre de los fabricantes o marcas registradas, registro comercial y dirección	
Identificador del modelo	20 V / 3 A
Tensión de entrada	AC100-240V,DC20V
Frecuencia CA de entrada	50/60 Hz
Tensión de salida	20 V
Corriente de salida	3 A
Potencia de salida	60 W
Eficiencia activa media	88 %
Eficiencia a carga baja (10%)	85 %
Consumo energético sin carga	0.15 W

## Accesorios incluidos

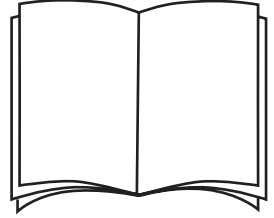
Mando a distancia



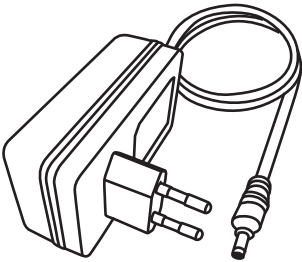
Antena



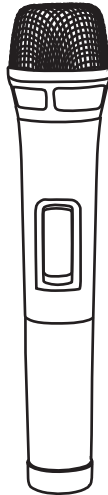
Manual del usuario



Adaptador CA



2 micrófonos inalámbricos



## 1. Garantía

Lenco ofrece servicio y garantía en cumplimiento con las leyes de la Unión Europea, lo cual implica que, en caso de que su producto precise ser reparado (tanto durante como después del periodo de garantía), deberá contactar directamente con su distribuidor.

Nota importante: No es posible enviar sus reparaciones directamente a Lenco.

Nota importante: Si la unidad es abierta por un centro de servicio no oficial, la garantía quedará anulada.

Este aparato no es adecuado para el uso profesional. En caso de darle un uso profesional, todas las obligaciones de garantía del fabricante quedarán anuladas.

## 2. Exención de responsabilidad

Regularmente se llevan a cabo actualizaciones en el Firmware y en los componentes del hardware. Por esta razón, algunas de las instrucciones, especificaciones e imágenes incluidas en este documento pueden diferir ligeramente respecto a su situación particular. Todos los elementos descritos en esta guía tienen un objetivo de mera ilustración, y pueden no ser de aplicación en su situación particular. No se puede obtener ningún derecho ni derecho legal a partir de la descripción hecha en este manual.

## 3. Eliminación del antiguo dispositivo



Este símbolo indica que no deberá deshacerse del producto eléctrico o batería en cuestión junto con los residuos domésticos, en el ámbito de la UE. Para garantizar un tratamiento residual correcto del producto y su batería, por favor, elimínelos cumpliendo con las leyes locales aplicables sobre requisitos para el desechado de equipos eléctricos y baterías. De hacerlo, ayudará a conservar recursos naturales y mejorar los estándares de protección medioambiental en el tratamiento y eliminación de residuos eléctricos (Directiva sobre la Eliminación de Equipos Eléctricos y Electrónicos).

## 4. Marca CE

Por la presente, Lenco Benelux B.V., Thermiekstraat 1a, 6361 HB Nuth, Países Bajos, declara que este producto cumple con las exigencias esenciales de las directivas de la UE.

La declaración de conformidad puede consultarse mediante [techdoc@commaxxgroup.com](mailto:techdoc@commaxxgroup.com)



## 5. Servicio

Para obtener más información y soporte del departamento técnico, por favor, visite la página web [www.lenco.com](http://www.lenco.com)

Lenco Benelux BV, Thermiekstraat 1a, 6361 HB, Países Bajos