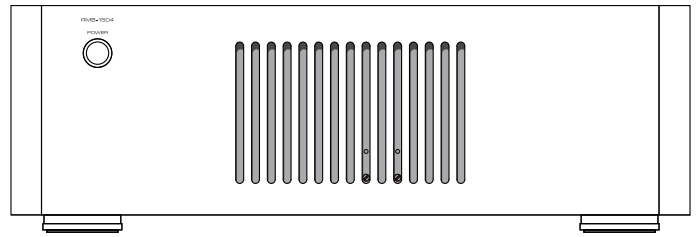




ROTEL®



RMB-1504

Four Channel Power Amplifier

Amplificatore de Potenza 4 Canaux

Etapa de Potencia de 4 Canales

Finale di Potenza a 4 Canali

Vierkanal-Endstufe

4 Kanalen Eindversterker

4-Kanals Slutsteg

4-Канального Усилитель Мощности

Owner's Manual

Manuel de l'utilisateur

Bedienungsanleitung

Manual de Instrucciones

Gebruikershandleiding

Manuale di istruzioni

Instruktionsbok

Инструкция пользователя

Important Safety Instructions

WARNING: There are no user serviceable parts inside. Refer all servicing to qualified service personnel.

WARNING: To reduce the risk of fire or electric shock, do not expose the unit to moisture or water. Do not expose the unit to dripping or splashing. Do not place objects filled with liquids, such as vases, on the unit. Do not allow foreign objects to get into the enclosure. If the unit is exposed to moisture, or a foreign object gets into the enclosure, immediately disconnect the power cord from the wall. Take the unit to a qualified service person for inspection and necessary repairs.

Read these instructions.

Keep these instructions.

Heed all warnings.

Follow all instructions.

Do not use this apparatus near water.

Clean only with dry cloth.

Do not block any ventilation openings. Install in accordance with the manufacturer's instructions.

Do not install near any heat sources such as radiators, heat registers, stoves, or other apparatus (including amplifiers) that produce heat. Do not defeat the safety purpose of the polarized or grounding-type plug. A polarized plug has two blades with one wider than the other.

A grounding type plug has two blades and a third grounding prong.

The wide blade or the third prong are provided for your safety. If the provided plug does not fit into your outlet, consult an electrician for replacement of the obsolete outlet.

Protect the power cord from being walked on or pinched particularly at plugs, convenience receptacles, and the point where they exit from the apparatus.

Only use attachments/accessories specified by the manufacturer.

Use only with the cart, stand, tripod, bracket, or table specified by the manufacturer, or sold with the apparatus.

When a cart is used, use caution when moving the cart/apparatus combination to avoid injury from tip-over.



Unplug this apparatus during lightning storms or when unused for long periods of time.

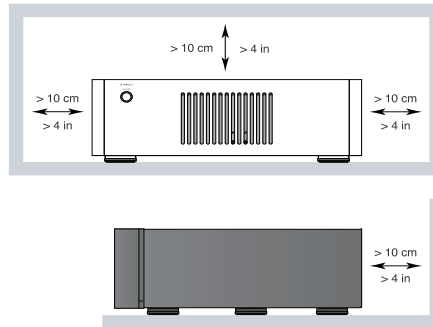
Refer all servicing to qualified service personnel. Servicing is required when the apparatus has been damaged in any way, such as power supply cord or plug is damaged, liquid has been spilled or objects have fallen into the apparatus, the apparatus has been exposed to rain or moisture, does not operate normally, or has been dropped.

The apparatus should be used in non tropical climate.

The ventilation should not be impeded by covering the ventilation openings with items, such as newspapers, table-cloths, curtains, etc.

No naked flame sources, such as lighted candles, should be placed on the apparatus.

You must allow a minimum 10 cm or 4 inches of unobstructed clearance around the unit.



WARNING: The rear panel power cord connector is the mains power disconnect device. The device must be located in an open area that allows access to the cord connector.

The unit must be connected to a power supply only of the type and voltage specified on the rear panel. (USA: 120 V/60Hz, EC: 230V/50Hz)

Connect the component to the power outlet only with the supplied power supply cable or an exact equivalent. Do not modify the supplied cable. Do not use extension cords.

The mains plug is the disconnect of the unit. In order to completely disconnect the unit from the supply mains, remove the main plug from the unit and the AC power outlet. This is the only way to completely remove mains power from the unit.

Use Class 2 wiring for speaker connections to ensure proper installation and minimize the risk of electrical shock.



APPLICABLE FOR USA, CANADA OR WHERE APPROVED FOR THE USAGE

CAUTION: TO PREVENT ELECTRIC SHOCK, MATCH WIDE BLADE OF PLUG TO WIDE SLOT, INSERT FULLY.

ATTENTION: POUR ÉVITER LES CHOC ÉLECTRIQUES, INTRODUIRE LA LAME LA PLUS LARGE DE LA FICHE DANS LA BORNE CORRESPONDANTE DE LA PRISE ET POUSSER JUSQU'AU FOND.



This symbol is to alert the user to the presence of uninsulated dangerous voltages inside the product's enclosure that may constitute a risk of electric shock.



This symbol is to alert the user to important operating and maintenance (service) instructions in this manual and literature accompanying the product.



Rotel products are designed to comply with international directives on the Restriction of Hazardous Substances (RoHS) in electrical and electronic equipment and the disposal of Waste Electrical and Electronic Equipment (WEEE). The crossed wheeled bin symbol indicates compliance and that the products must be appropriately recycled or processed in accordance with these directives.



This symbol means that this unit is double insulated. An earth connection is not required.



Figure 1: RMB-1504 Controls and Connections
 Commandes et Branchements RMB-1504
 RMB-1504 Bedienelemente und Anschlüsse
 Controles y Conexiones de la RMB-1504

RMB-1504 Bedieningselementen en aansluitingen
 RMB-1504 Controlli e connessioni
 RMB-1504: Kontrollier och anslutningar
 Органы управления и разъемы RMB-1504

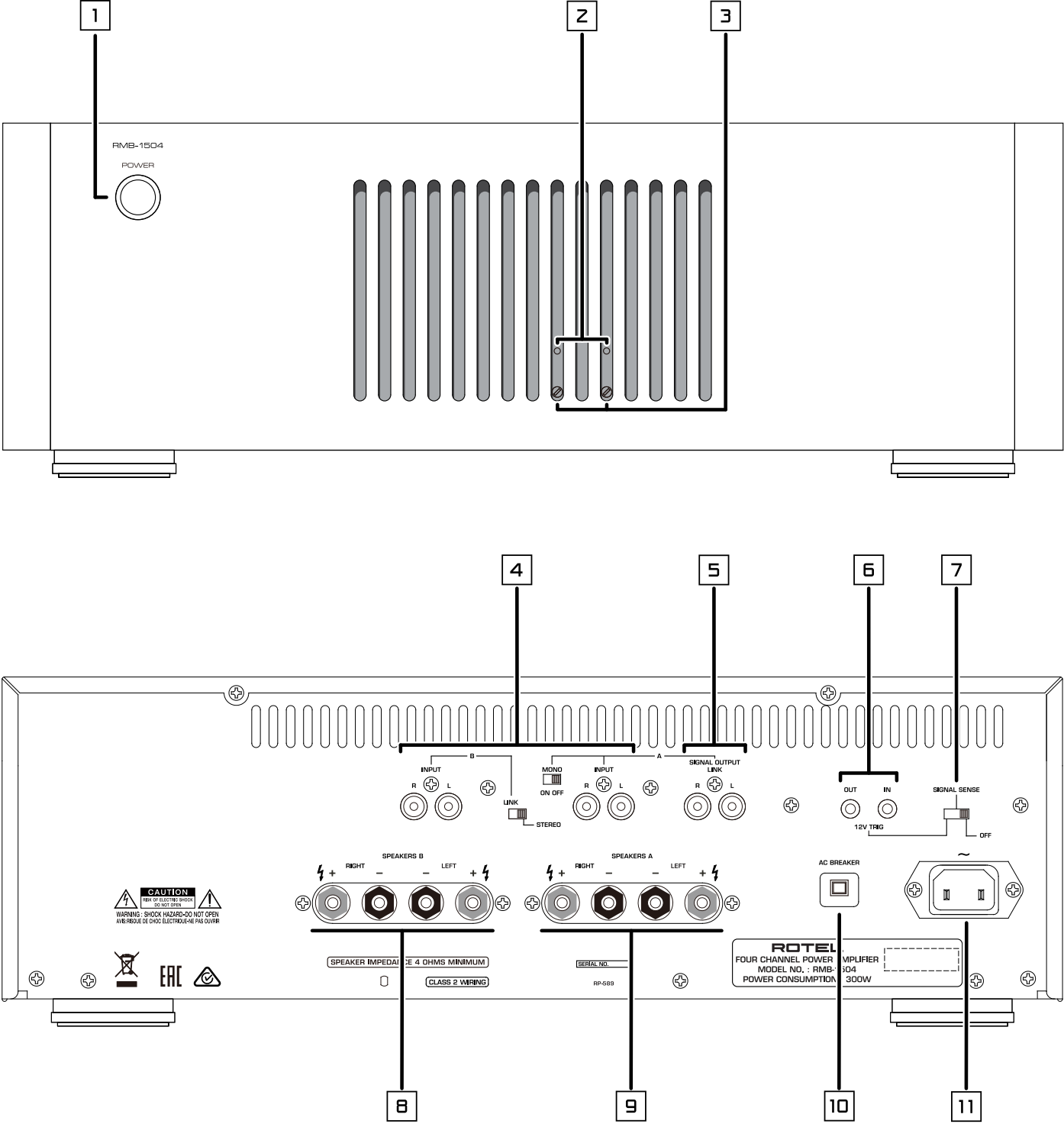
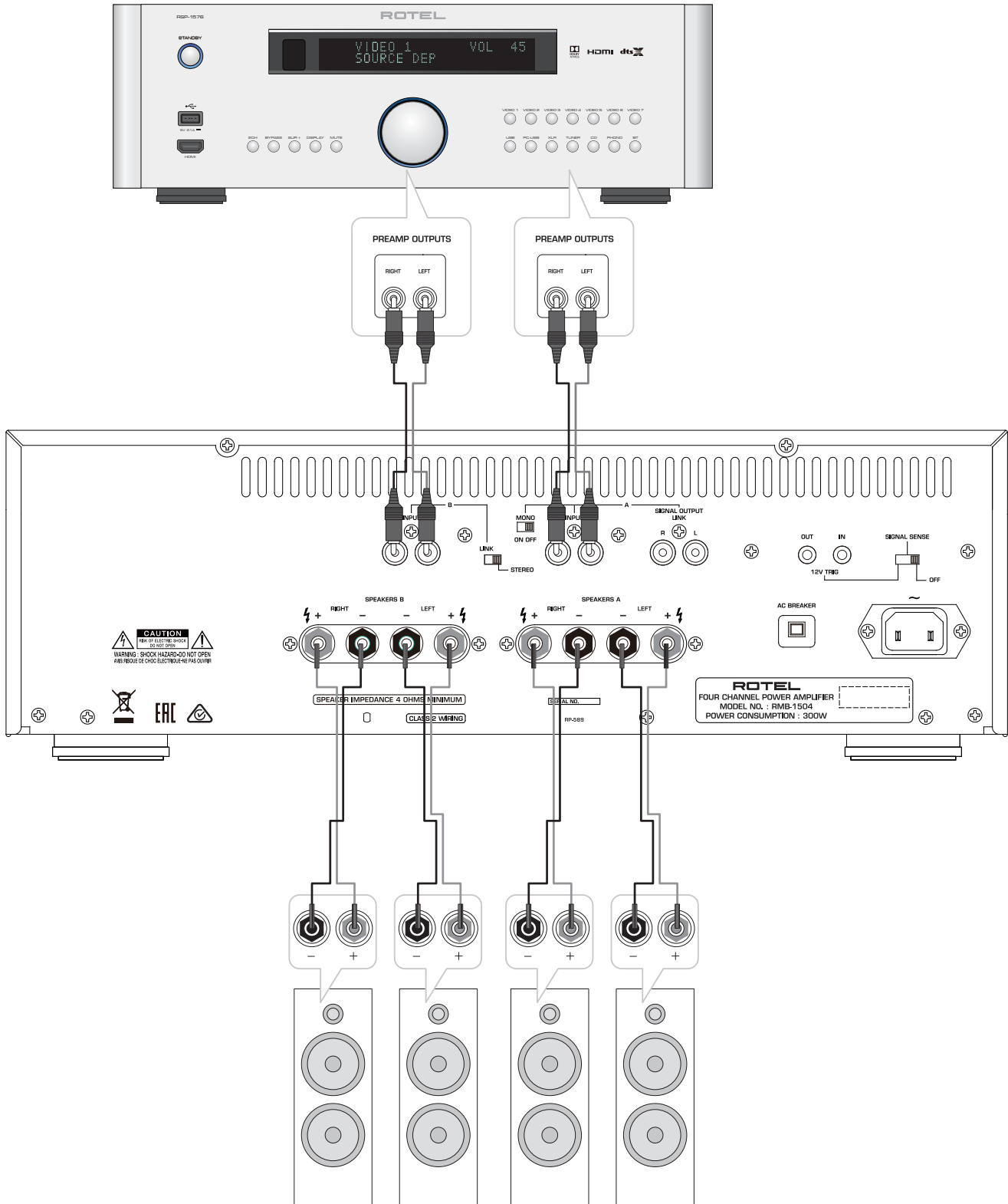


Figure 2: Analog Inputs and Speaker Output Connections
 Branchements des entrées analogiques et sorties enceintes acoustiques
 Analoge Eingänge und Anschließen der Lautsprecher
 Entradas Analógicas y Conexiones de Salida a las Cajas Acústicas

Analoge ingangen en luidsprekeruitgangen
 Collegamenti ingressi analogici ed uscite diffusori
 Analoga ingångar och högtalaranslutningar
 Аналоговые входы и выходы на колонки



Important Notes

When making connections be sure to:

- ✓ Turn off **all** the components in the system **before** hooking up **any** components, including loudspeakers.
- ✓ Turn off **all** components in the system **before** changing **any** of the connections to the system.

It is also recommended that you:

- ✓ Turn the volume control of the amplifier all the way down **before** the amplifier is turned **on or off**.

Remarques importantes

Pendant les branchements, assurez-vous que :

- ✓ **Tous** les maillons sont éteints **avant** leur branchement, **quels qu'ils soient**, y compris les enceintes acoustiques.
- ✓ Éteignez **tous** les maillons **avant** de modifier **quoi que ce soit** au niveau de leurs branchements, quels qu'ils soient.

Il est également recommandé de :

- ✓ Toujours baissez le niveau sonore via le contrôle de volume, **avant d'allumer ou d'éteindre** l'amplificateur.

Wichtige Hinweise

Achten Sie beim Herstellen der Verbindungen auf Folgendes:

- ✓ Schalten Sie **alle** Komponenten im System ab, **bevor** Sie Geräte (einschließlich Lautsprecher) anschließen.
- ✓ Schalten Sie **alle** Komponenten im System ab, **bevor** Sie Anschlüsse im System verändern.

Ferner empfehlen wir, dass

- ✓ Sie die Lautstärke herunterdrehen, **bevor** Sie den Verstärker **ein- oder abschalten**.

Notas Importantes

Cuando realice las conexiones, asegúrese de que:

- ✓ Desactiva **todos** los componentes del equipo, cajas acústicas incluidas, **antes** de conectar **cualquier** nuevo componente en el mismo.
- ✓ Desactiva **todos** los componentes del equipo **antes** de cambiar **cualquier** conexión del mismo.

También le recomendamos que:

- ✓ Reduzca el nivel de volumen de su amplificador a cero **antes** de **activarlo o desactivarlo**.

Héél belangrijk

Bij het maken van de verbindingen:

- ✓ Zorg dat niet alleen de RMB-1504, maar de **gehele** installatie uitstaat, als nog niet **alle** verbindingen gemaakt zijn.
- ✓ Zorg dat niet alleen de RMB-1504, maar de **gehele** installatie ook uitstaat, **als** u verbindingen gaat wijzigen.

Wij raden u ook aan om:

- ✓ de volumeregelaar van de (voor)versterker geheel dicht te draaien (volkomen linksom) **wanneer** u uw eindversterker **aan- of uitzet**.

Note importanti

Quando effettuate i collegamenti assicuratevi di:

- ✓ Spegnerne **tutti** i componenti del sistema **prima** di collegare **qualsiasi** componente, inclusi i diffusori.
- ✓ Spegnerne **tutti** i componenti del sistema **prima** di modificare **qualsiasi** connessione nel sistema.

Vi raccomandiamo inoltre di:

- ✓ Portare il volume a zero **prima** di **accendere o spegnere** l'amplificatore.

Viktigt

Tänk på följande när du gör anslutningar:

- ✓ Stäng av **alla** apparater i anläggningen **innan** du ansluter nya komponenter eller högtalare.
- ✓ Stäng av **alla** apparater i anläggningen **innan** du ändrar någon anslutning.

Du rekommenderas också:

- ✓ Vrida ner volymen på förstärkaren helt och hållet **innan** förstärkaren slås **på eller av**.

Важные замечания

Перед подсоединением:

- ✓ Выключите **все** компоненты, включая колонки.
- ✓ Выключите **все** компоненты в вашей системе, прежде чем что-то в ней **менять**.

Рекомендуется также:

- ✓ Вывести громкость усилителя на **минимум**, перед тем как **включать или выключать** его.

Contents

Important Safety Instructions	2
Figure 1: Controls and Connections	3
Figure 2: Analog Inputs and Speaker Output Connections	4
Important Notes	5
About Rotel	6
Getting Started	6
Features	6
A Few Precautions	6
Placement	7
AC Power and Control	7
AC Power Input ^[1]	7
Power Switch and Power Indicator ^[1]	7
Auto Turn On/Off Mode Selector ^[7]	7
12 Volt Trigger Input ^[6]	7
12 Volt Trigger Output ^[5]	7
Circuit Breaker ^[10]	7
Protection Circuitry ^[2]	7
Signal Connections	8
RCA Inputs ^[4]	8
Mono Switch ^[4]	8
Linking the Inputs ^[4]	8
Input Level Controls ^[3]	8
Signal Output Link ^[5]	8
Speaker Connection	8
Speaker Selection	8
Speaker Wire Selection	8
Polarity and Phasing	8
Speaker Connection ^[9] ^[9]	8
Troubleshooting	9
Power Indicator Is Not Illuminated	9
No Sound	9
Protection Indicator	9
Specifications	9

About Rotel

Our story began over 50 years ago. Over the decades, we have received hundreds of awards for our products and satisfied hundreds of thousands of people who take their entertainment seriously - like you!

Rotel was founded by a family whose passionate interest in music led them to manufacture high-fidelity components of uncompromising quality. Through the years, that passion has remained undiminished and the family goal of providing exceptional value for audiophiles and music lovers, regardless of their budget, is shared by all Rotel employees.

Rotel's engineers work as a close team, listening to, and fine tuning, each new product until it reaches their exacting musical standards. They are free to choose components from around the world in order to make that product the best they can. You are likely to find capacitors from the United Kingdom and Germany, semiconductors from Japan or the United States, while toroidal power transformers are manufactured in Rotel's own factory.

We all have concerns about our environment. And, as more and more electronics are produced it is especially important for a manufacturer to do all it can to engineer products that have a minimum impact on the environment.

At Rotel, we are proud to do our part. We have reduced the lead content in our products by using special lead-free ROHS solder and components. Our engineers continually strive to improve power supply efficiency without compromise to quality. When in standby mode Rotel products use minimal power to meet global Standby Power Consumption requirements.

The Rotel factory is also doing their part to help the environment through constant improvements to product assembly methods for a cleaner and greener manufacturing processes.

All of us at Rotel thank you for buying this product. We are sure it will bring you many years of enjoyment.

Getting Started

Thank you for purchasing the Rotel RMB-1504 Four Channel Power Amplifier. When used in a high-quality music or home theater system, your Rotel product will provide years of musical enjoyment.

The RMB-1504 is a sophisticated four-channel power amplifier. Discrete output devices, a massive power supply with toroidal transformer, premium components, and Rotel's Balanced Design ensure superb sound quality. High current capability allows the RMB-1504 to drive difficult speaker loads with ease.

Features

- Four-channel power amplifier, with 70 watts per channel output into 8 ohms.
- Front panel input level controls.
- User-selectable power on/off configuration: manual, automatic signal sensing, or controlled by remote 12 volt trigger signal.
- Protection circuitry against fault conditions with front panel indicators.
- Input linking, input mono switch and signal output link connectors for maximum system configuration flexibility.

A Few Precautions

WARNING: To avoid potential damage to your system, turn off ALL the components in the system when connecting or disconnecting the loudspeakers or any associated components. Do not turn the system components back on until you are sure all the connections are correct and secure. Pay particular attention to the speaker wires. There must be no loose strands that could contact the other speaker wires, or the chassis of the amplifier.

Please read this manual carefully. In addition to installation and operating instructions, it provides valuable information on various RMB-1504 system configurations as well as general information that will help you get optimum performance from your system. Please contact your authorized Rotel dealer for answers to any questions you might have. In addition, all of us at Rotel welcome your questions and comments.

Save the shipping carton and all enclosed packing material for future use. Shipping or moving the RMB-1504 in anything other than the original packing material may result in severe damage to your amplifier.

If included in the box please complete the owner's registration card or register on line. Also be sure to keep the original sales receipt. It is your best

record of the date of purchase, which you will need in the event warranty service is ever required.

Placement

The RMB-1504 generate heat as part of its normal operation. The heat sinks and ventilation openings in the amplifier are designed to dissipate this heat. The ventilation slots in the top cover must be open. There should be 10 cm (4 inches) of clearance around the chassis, and reasonable airflow through the installation location, to prevent the amplifier from overheating.

Remember the weight of the amplifier when you select an installation location. Make sure that the shelf or cabinet can support it. We recommend installing the unit in furniture designed to house audio components. Such furniture is designed to reduce or suppress vibration which can adversely affect sound quality. Ask your authorized Rotel dealer for advice about component furniture and proper installation of audio components.

AC Power and Control

AC Power Input ^[11]

Your amplifier is configured at the factory for the proper AC voltage in the country where you purchased it, either 120 volts or 230 volts. The AC line configuration is noted on a decal on the back panel.

NOTE: Should you move your amplifier to another country, it may be possible to reconfigure it for use on a different line voltage. Do not attempt to perform this conversion yourself. Opening the enclosure of the amplifier exposes you to dangerous voltages. Consult a qualified service person or the Rotel factory service department for information.

NOTE: Some products are intended for sale in more than one country and as such are supplied with more than one AC cord. Please use only the cord appropriate for your country/region.

Because of its high power rating, the amplifier can draw considerable current. Therefore, it should be plugged directly into a polarized wall outlet using the supplied cable or other high current compatible cable as recommended by your authorized Rotel dealer. Do not use an extension cord. A heavy duty multi-tap power outlet strip may be used if it (and the wall outlet) is rated to handle the current demanded by the amplifier and all the other components connected to it.

Be sure the POWER SWITCH ^[1] on the front panel of the amplifier is turned off (in the "out" position). Then, connect the supplied power cord to the Power Connector ^[11] on the rear of the unit and the AC power outlet.

If you are going to be away from home for an extended period of time such as a month-long vacation, it is a sensible precaution to unplug your amplifier (as well as other audio and video components) while you are away.

Power Switch and Power Indicator ^[1]

The power switch is located on the left side of the front panel. To turn the amplifier on, push the switch in. The ring around the switch will light up, indicating that the amplifier is turned on. To turn the amplifier off, push the button again and return it to the "out" position.

NOTE: Place the self adhesive ring over the light surrounding the Power switch if the blue light is too bright.

Auto Turn On/Off Mode Selector ^[7]

The RMB-1504 provides three different options for manual or automatic power on/off operation. These modes are selectable using a three-position slide switch on the back panel as follows:

- **With the switch in the OFF position**, the amplifier is turned on or off manually using the front panel power switch. Also use this mode if you are using a switched AC outlet to control power to the amplifier.
- **With the switch in the SIGNAL SENSE position**, the amplifier turns on automatically when a signal is detected at the inputs. The amplifier will go into standby mode several minutes after a signal is no longer present. The front panel power switch overrides this function. It must be ON for the signal sensing to work. Turning the switch OFF cuts power to the amplifier, regardless of whether or not a signal is present.
- **With the switch in the 12V TRIG position**, the amplifier is turned on automatically when a 12 volt trigger signal is present at the 12V TRIG input to the left of the switch. The amplifier goes into standby mode if the +12 volt signal is not present. The front panel POWER SWITCH overrides this function. It must be ON for the +12V trigger to work. Turning the switch OFF cuts power to the amplifier, regardless of whether or not a trigger signal is present.

12 Volt Trigger Input ^[6]

An input jack for connecting the wires carrying a +12 volt trigger signal from a Rotel preamp or surround sound processor to turn the amplifier on and off. To use this feature the adjacent slide switch must be placed to the left position (see previous section).

The TRIGGER INPUT accepts any control signal (AC or DC) ranging from 3 volts to 30 volts. Use a cable with mono 3.5 mm mini-plugs on both ends. The +12V DC signal appears at the "tip" connector.

12 Volt Trigger Output ^[6]

The 12V TRIG jack labeled OUT is used to pass the remote turn-on signal to a second Rotel amplifier. Any 12V Trigger signal at the INPUT jack will be passed through to the OUT jack.

Circuit Breaker ^[10]

A circuit breaker on the rear panel protects the amplifier's electrical circuitry. Generally, the circuit breaker will only open under a fault condition which results in excessive current draw. To reset the circuit breaker, press the button. Should it repeatedly open, contact your authorized Rotel dealer for troubleshooting assistance.

Protection Circuitry ^[2]

The RMB-1504 feature thermal and over-current protection circuits that protect against potential damage in the event of extreme or faulty operating conditions. Unlike many designs, these protection circuits are independent of the audio signal and have no impact on sonic performance. Instead, the protection circuits monitors the temperature of the output devices and the current they are handling and shuts down the amplifier if operating conditions exceed safe limits.

Most likely, you will never see this protection circuitry in action. However, should a faulty condition arise, the amplifier will stop playing and one or more of the PROTECTION LEDs on the front panel will light.

If this happens, turn the amplifier off, let it cool down for several minutes, and attempt to identify and correct the problem. There are independent

PROTECTION LEDS for each pair of channels which may help in troubleshooting the cause of the problem. When you turn the amplifier back on, the protection circuit will automatically reset and the PROTECTION LEDS should go out, indicating that the amplifier has recovered and the fault corrected.

In most cases, the protection circuitry activates because of a fault condition such as shorted speaker wires, or inadequate ventilation leading to an overheating condition. In very rare cases, highly reactive or extremely low impedance speaker loads could cause the protection circuit to engage.

If the protection circuitry triggers repeatedly and you are unable to isolate and correct the faulty condition, contact your authorized Rotel dealer for assistance in troubleshooting.

Signal Connections

The RMB-1504 has conventional RCA type input connectors, the type found on nearly all audio equipment.

There is also a pair of SIGNAL OUTPUT LINK connections for passing the input signal connected to the "A" pair of channels on to another audio component. Additionally, the input signal to the "A" pair of channels can be automatically linked to the inputs for the "B" channels, so that a separate input signal cable is not required for those channels, for example in large systems where the RMB-1504 is being used to drive multiple pairs of speakers.

NOTE: To prevent loud potentially damaging noises, make sure the amplifier is turned off when you make any changes to the input signal configuration.

RCA Inputs

See Figure 2

There is one RCA input for each of the two pair of amplifier channels. These RCA inputs accept audio signals from preamplifiers or surround sound processors. Use high quality audio interconnect cables for best performance.

For each pair of amplifier channels, connect the left channel output of your preamp to the LEFT INPUT on the RMB-1504. Connect the right channel of your preamp to the RIGHT INPUT. Make sure that the input slide switch to the right of the RCA inputs is in the STEREO position.

Mono Switch

When the MONO switch is in the ON position, the "A" left channel input is connected to the right channel.

Linking the Inputs

You can link the inputs for groups "B" to the "A" inputs by placing the input slide switch to the right of the "B" pair of RCA inputs in the LINK position. When linked, no input connection is required for that group. The input signal from the "A" group is sent to the linked pair of channels, allowing you to use all four amplifier channels with the same stereo input signals.

Input Level Controls

Two controls on the front panel, one for each pair of channels, provide input level adjustments. These allow you to adjust the gain of the amplifier to match other components in the system. The A level control changes the gain of the "A" channels; the B level control changes the "B" channels.

To adjust these controls, use a small, flat blade screwdriver. Turn the control clockwise to increase gain. Turn counterclockwise to reduce gain.

Signal Output Link

This pair of RCA connections can be used to pass the unprocessed input signals to another audio component, for example to "daisychain" an additional amplifier to drive a second set of speakers. The input signals connected to the "A" channels is also available at these LINK outputs.

NOTE: These input signals from the "A" channels can also be linked to the "B" inputs by playing the INPUT SELECT switch associated with that pair of channels in the LINK position.

Speaker Connection

The RMB-1504 has two groups of speaker connectors, one for each pair of amplifier channels.

Speaker Selection

We recommend using loudspeakers with a nominal impedance of 4 ohms or higher with the RMB-1504. You should exercise some caution in driving multiple pairs of speakers in parallel configuration, because the effective impedance the amplifier sees is cut in half. For example, when driving two pair of 8 ohm speakers, the amplifier sees a 4 ohm load. When driving multiple speakers in parallel, it is recommended that you select speakers with a nominal impedance of 8 ohms or higher. Speaker impedance ratings are less than precise. In practice, very few loudspeakers will present any problems for the RMB-1504. See your authorized Rotel dealer if you have any questions.

Speaker Wire Selection

Use insulated two-conductor stranded wire to connect the amplifier to the speakers. The size and quality of the wire can have an audible effect on the performance of the system. Standard speaker wire will work, but can result in lower output or diminished bass response, particularly over longer distances. In general, heavier wire will improve the sound. For best performance, you may want to consider special high-quality speaker cables. Your authorized Rotel dealer can help in the selection of cables for your system.

Polarity and Phasing

The polarity, the positive/negative orientation of the connections, for every speaker and amplifier connection must be consistent so all the speakers will be in phase. If the polarity of one connection is reversed, bass output will be very weak and stereo imaging degraded. All wire is marked so you can identify the two conductors. There may be ribs or a stripe on the insulation of one conductor. The wire may have clear insulation with different color conductors (copper and silver). There may be polarity indications printed on the insulation. Identify the positive and negative conductors and be consistent with every speaker and amplifier connection.

Speaker Connections

See Figure 2

NOTE: The following text describes both binding post and plug-in connections. DO NOT use both connection methods in combination to connect multiple speakers.

Turn off all the components in the system before connecting the speakers. The RMB-1504 have two color coded connections for each group of amplifier channels, one for the left speaker, the other for the right speaker. Labels above the connectors show the proper connections for connecting speakers. These speaker connectors accept bare wire, connector lugs, or

dual banana type connectors (except in the European Community countries where their use is not permitted).

Route the wire from the amplifier to the speakers. Give yourself enough slack so you can move the components to allow access to the speaker connectors.

If you are using dual banana plugs, connect them to the wires and then plug into the backs of the binding posts. The thumbscrews of the binding posts should be screwed in all the way (clockwise).

If you are using terminal lugs, connect them to the wires. If you are attaching bare wires directly to the binding posts, separate the wire conductors and strip the insulation from the end of each conductor. Be careful not to cut into the wire strands. Unscrew (turn counterclockwise) the binding post. Place the connector lug or wire around the binding post shaft. Turn the binding post clockwise to clamp the connector lug or wire firmly in place.

NOTE: Be sure there are no loose wire strands that could touch adjacent wires or connectors.

For each group of channels, connect the left speaker to the pair of speaker connectors labeled LEFT. Connect the right speaker to the speaker connectors labeled RIGHT. Follow the labels printed above the connectors. Make sure that the positive terminal of the speaker is connected to the + terminal on the amplifier. Make sure that the negative terminal of the speaker is connected to the – terminal of the amplifier.

Troubleshooting

Most difficulties in audio systems are the result of incorrect connections, or improper control settings. If you encounter problems, isolate the area of the difficulty, check the control settings, determine the cause of the fault and make the necessary changes. If you are unable to get sound from the amplifier, refer to the suggestions for the following conditions:

Power Indicator Is Not Illuminated

No main power to the RMB-1504. Check AC power connections at the amplifier and the AC outlet. Check the front panel power switch. Make sure that it is set to the ON position. If using signal sensing auto power-on, make sure that a signal is present at the inputs. If using 12V trigger power-on, make sure that a trigger signal is present at rear panel 12V TRIG IN connector.

No Sound

If the amp is getting AC power, but is producing no sound, check the Protection indicator on the front panel. If it is illuminated, see below. If not, check all of your connections and control settings on associated components.

Protection Indicator

The front panel PROTECTION INDICATORS light when the RMB-1504 protection circuits have shut off the amplifier. Typically, this occurs only when the ventilation openings are blocked, when there is faulty speaker wiring, or after a period of extreme use. Turn off the system and wait for the amp to cool. Then push the front panel power switch in and out to reset the protection devices. If the problem is not corrected or reoccurs, there is a problem with the system or the amplifier itself.

Specifications

Continuous Power Output (20-20kHz, < 0.03%, 8 ohms)	4 x 70 watts/channel, All channels driven
Total Harmonic Distortion (20Hz-20kHz, 8 ohms)	
Continuous rated power:	< 0.03%
One-half rated power:	< 0.03%
1 watt power:	< 0.03%
Intermodulation Distortion (60Hz : 7kHz, 4:1)	< 0.03%
Damping Factor (20-20kHz, 8 ohms)	>200
Input Impedance/Sensitivity	20k Ohms/1.0 volt
Gain	26 dB
Input Overload Level	5.0 volt
Frequency Response (± 1 dB)	10 Hz - 100k Hz
Signal to Noise Ratio (IHF A)	115 dB
Crosstalk/Separation	> 50 dB
Speaker Impedance	4 ohms minimum
Auto Turn On Level (with all inputs)	4 mV input signal
Power Requirements	
U.S. version	120 Volts, 60Hz
European version	230 Volts, 50Hz
Power Consumption	300 Watts
Standby Power Consumption	
Signal Sense	1 Watt
Standby:	< 0.5 watts
BTU	810 BTU / h
Dimensions (W x H x D)	431 x 144 x 443 mm 17 x 5 2/3 x 17 1/2 ins.
Front Panel Height	3U / 132.6 mm / 5 2/9 ins
Weight (net)	14.9 kg / 32.8 lbs.

All specifications are accurate at the time of printing.

Rotel reserves the right to make improvements without notice.

Rotel and the Rotel HiFi logo are registered trademarks of The Rotel Co, Ltd., Tokyo, Japan.

Remarques importantes concernant la sécurité

ATTENTION : Il n'y a à l'intérieur aucune pièce susceptible d'être modifiée par l'utilisateur. Adressez-vous impérativement à une personne qualifiée.

ATTENTION : Pour réduire tout risque d'électrisation ou d'incendie, ne pas exposer l'appareil à une source humide, ou à tout type de risque d'éclaboussure ou de renversement de liquide. Ne pas poser dessus d'objet contenant un liquide, comme un verre, un vase, etc. Prenez garde à ce qu'aucun objet ou liquide ne tombe à l'intérieur de l'appareil par ses orifices de ventilation. Si l'appareil est exposé à l'humidité ou si un objet tombe à l'intérieur, débranchez-le immédiatement de son alimentation secteur, et adressez-vous immédiatement et uniquement à une personne qualifiée et agréée.

Tous les conseils de sécurité et d'installation doivent être lus.

Conservez soigneusement ce livret.

Tous les conseils de sécurité doivent être soigneusement respectés.

Respectez les procédures d'installation et de fonctionnement indiquées dans ce manuel.

Ne pas utiliser cet appareil près d'un point d'eau.

L'appareil doit être nettoyé uniquement avec un chiffon sec ou un aspirateur.

Il ne doit pas être posé sur un fauteuil, un canapé, une couverture ou toute autre surface susceptible de boucher ses ouïes d'aération ; ou placé dans un meuble empêchant la bonne circulation d'air autour des orifices d'aération.

Cet appareil doit être placé loin de toute source de chaleur, tels que radiateurs, chaudières, bouches de chaleur ou d'autres appareils produisant de la chaleur.

Notamment, ne pas tenter de supprimer la prise de terre (troisième broche de la prise) si celle-ci est présente. Si la prise n'est pas conforme à celles utilisées dans votre installation électrique, consultez un électricien agréé. Prendre garde à ce que ce cordon d'alimentation ne soit pas pincé, écrasé ou détérioré sur tout son trajet, et à ce qu'il ne soit pas mis en contact avec une source de chaleur. Vérifiez soigneusement la bonne qualité des contacts, à l'arrière de l'appareil comme dans la prise murale.

N'utilisez que des accessoires préconisés par le constructeur.

N'utilisez que des meubles, supports, systèmes de transport suffisamment solide pour supporter l'appareil. Procédez toujours avec la plus extrême précaution lorsque vous déplacez l'appareil, afin d'éviter tout risque de blessure ou des dommages à l'appareil.



Débranchez le câble d'alimentation en cas d'orage, ou si l'appareil ne doit pas être utilisé pendant une longue période.

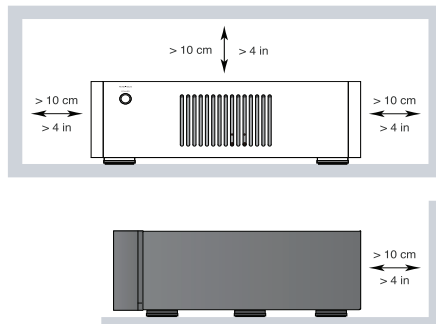
L'appareil doit être immédiatement éteint, débranché puis retourné au service après-vente agréé dans les cas suivants : le câble d'alimentation secteur ou sa prise est endommagé ; un objet est tombé, ou du liquide a coulé à l'intérieur de l'appareil ; l'appareil a été exposé à la pluie ; l'appareil ne fonctionne manifestement pas normalement ; l'appareil est tombé, ou le coffret est endommagé.

L'appareil doit être utilisé sous un climat non tropical.

La ventilation ne doit pas être entravée en recouvrant les orifices de ventilation d'objets tels que des journaux, des nappes, des rideaux, etc.

Aucune source de flamme nue, telle que des bougies allumées, ne doit être placée sur l'appareil.

Vous devez réserver un espace libre d'une dizaine de centimètres minimum autour de l'appareil.



ATTENTION : La prise d'alimentation située à l'arrière constitue le principal moyen pour déconnecter l'appareil du secteur. Cet équipement doit être positionné dans un espace ouvert qui permet de garder l'accès au câble d'alimentation.

Cet appareil doit être branché sur une prise d'alimentation secteur, d'une tension et d'un type conformes à ceux qui sont indiqués sur la face arrière de l'appareil (USA : 120 V/60 Hz, CE : 230 V/50 Hz).

Brancher l'appareil uniquement grâce au cordon secteur fourni, ou à un modèle équivalent. Ne pas tenter de modifier ou changer la prise. Ne pas utiliser de cordon rallonge.

La prise d'alimentation secteur constitue le moyen radical de déconnexion de l'appareil. Elle doit donc rester en permanence accessible, car sa déconnexion constitue la seule assurance que l'appareil n'est plus alimenté par le secteur.

Utilisez uniquement des câbles de Classe 2 pour réaliser les connexions aux enceintes acoustiques et offrant une isolation suffisante pour minimiser les risques de chocs électriques.



APPLICABLE FOR USA, CANADA OR WHERE APPROVED FOR THE USAGE

CAUTION: TO PREVENT ELECTRIC SHOCK, MATCH WIDE BLADE OF PLUG TO WIDE SLOT. INSERT FULLY.

ATTENTION: POUR ÉVITER LES CHOCs ÉLECTRIQUES, INTRODUIRE LA LAME LA PLUS LARGE DE LA FICHE DANS LA BORNE CORRESPONDANTE DE LA PRISE ET POUSSER JUSQU'AU FOND.



L'éclair dans un triangle équilatéral indique la présence interne de tensions électriques élevées susceptibles de présenter des risques graves d'électrocution.



Le point d'exclamation dans un triangle équilatéral indique à l'utilisateur la présence de conseils et d'informations importantes dans le manuel d'utilisation accompagnant l'appareil. Leur lecture est impérative.



Tous les appareils Rotel sont conçus en totale conformité avec les directives internationales concernant les restrictions d'utilisation de substances dangereuses (RoHS) pour l'environnement, dans les équipements électriques et électroniques, ainsi que pour le recyclage des matériaux utilisés (WEEE, pour Waste Electrical and Electronic Equipment). Le symbole du conteneur à ordures barré par une croix indique la compatibilité avec ces directives, et le fait que les appareils peuvent être correctement recyclés ou traités dans le respect total de ces normes.



Ce symbole signifie que cet appareil bénéficie d'une double isolation électrique. Sa prise d'alimentation n'a pas besoin d'être reliée à la terre ou à une masse particulière.



Sommaire

Figure 1: Commandes et Branchements	3
Figure 2: Branchements des entrées analogiques et sorties enceintes acoustiques	4
Remarques importantes	5
Remarques importantes concernant la sécurité	10
A propos de Rotel	11
Mise en route	11
Caractéristiques principales	11
Quelques précautions préalables	11
Installation	12
Alimentation secteur et commandes	12
Prise secteur ^[1]	12
Interrupteur de mise sous tension/veille Standby et indicateur Power ^[1]	12
Mode de sélection trigger ON/OFF ^[7]	12
Entrée trigger 12 V ^[6]	12
Sortie trigger 12 V ^[6]	13
Disjoncteur ^[6]	13
Circuit de protection ^[2]	13
Connexions du signal	13
Entrées RCA ^[4]	13
Sélecteur Mono ^[4]	13
Relier les entrées ^[4]	13
Contrôles du niveau d'entrée ^[3]	13
Renvoi de signal de sortie ^[5]	13
Branchement des enceintes acoustiques	14
Choix des enceintes acoustiques	14
Choix des câbles d'enceintes acoustiques	14
Polarité et Phase	14
Branchement des enceintes ^[8] ^[9]	14
Problèmes de fonctionnement	14
L'indicateur de mise sous tension n'est pas allumé	14
Pas de son	14
Indicateur de protection	14
Spécifications	15

A propos de Rotel

Notre histoire commence il y a plus de 50 ans. Depuis, au fil des années, nous avons reçu des centaines de prix et de récompenses, et satisfait des centaines de milliers de personnes – comme vous !

Rotel a été fondée par une famille passionnée de musique, qui a décidé de fabriquer des maillons Haute Fidélité sans compromis aucun. Depuis sa création, cette passion est restée intacte, et cette famille s'est fixée comme objectif de proposer à tous les audiophiles et mélomanes les meilleurs appareils possibles, quel que soit leur budget. Une volonté partagée par tous les employés de Rotel.

Les ingénieurs Rotel travaillent comme une équipe très soudée, écoutant, peaufinant chaque nouveau modèle jusqu'à ce qu'il atteigne exactement leurs standards – très élevés – de musicalité. Ils sont libres de choisir des composants en provenance du monde entier, afin de concevoir le meilleur produit possible. C'est ainsi que vous trouverez dans nos appareils des condensateurs d'origine britannique ou allemande, des transistors japonais ou américains, tandis que les transformateurs toriques sont toujours fabriqués dans nos propres usines Rotel.

Nous sommes tous concernés par la qualité de l'environnement. Et, comme de plus en plus de produits électroniques sont fabriqués puis éliminés quelques années plus tard, il est désormais essentiel qu'un constructeur fabrique tous ses produits en veillant à ce qu'ils aient un impact minimum sur la planète.

Chez Rotel, nous sommes très fiers d'apporter notre pierre à ce nouvel édifice. Nous avons réduit la teneur en plomb de nos électroniques, en utilisant notamment des composants et une soudure spéciale ROHS. Nos ingénieurs travaillent en permanence pour améliorer le rendement des alimentations de puissance sans compromettre leur qualité. C'est ainsi qu'en mode Standby, les appareils Rotel consomment moins pour se conformer aux exigences de la « Standby Power Consumption » qui limite la consommation en veille des appareils électroniques.

L'usine Rotel participe également de façon active à la protection de l'environnement au travers d'un processus de fabrication général amélioré et toujours plus écologique et plus propre.

Tous les membres de l'équipe Rotel vous remercient pour l'achat de cet appareil. Nous sommes persuadés qu'il vous offrira de nombreuses années d'intense plaisir musical.

Mise en route

Merci d'avoir acheté cet amplificateur de puissance quatre canaux Rotel RMB-1504. Associé à un ensemble audio de qualité, il vous offrira de nombreuses années de plaisir musical.

Le RMB-1504 est un amplificateur de puissance quatre canaux particulièrement sophistiqué. Des composants de sortie indépendants de type discrets, une très grosse alimentation équipée de transformateurs toriques et de composants de premier choix, ainsi que le principe de conception Rotel « Balanced Design » garantissent des performances sonores remarquables. Sa très haute capacité en courant permet au RMB-1504 d'alimenter les enceintes acoustiques les plus difficiles.

Caractéristiques principales

- Quatre canaux d'amplification, fournissant une puissance de 70 watts par canal, sur charge de 8 ohms.
- Contrôles de gain d'entrée en face avant.
- Configuration de mise sous tension « on/ off » sélectionnée par l'utilisateur: manuelle, automatique, par réception d'un signal à l'entrée, ou contrôlée par l'envoi d'une tension de commutation « trigger » 12 volts.
- Circuit de protection totale, avec indicateurs en face avant.
- Sortie de renvoi du signal d'entrée, sans modification, pour alimentation d'autres amplificateurs indépendants.

Quelques précautions préalables

AVERTISSEMENT : Pour éviter d'endommager potentiellement votre système, veillez à bien mettre hors tension TOUS les éléments lorsque vous branchez ou vous débranchez les enceintes acoustiques et les composants associés. Ne mettez pas les appareils en marche tant vous n'êtes pas certain que tous les branchements sont corrects et sécurisés. Prêtez une attention particulière aux câbles des enceintes acoustiques. Il ne doit y avoir aucun

fil qui puisse entrer en contact avec les autres câbles d'enceintes ou avec le châssis de l'amplificateur.

Merci de lire soigneusement ce manuel. En plus de vous donner des renseignements utiles sur l'installation et la mise en œuvre de votre amplificateur, il vous apportera des informations sur les diverses configurations possibles, ainsi que des données plus générales qui vous aideront à obtenir les meilleures performances sonore de votre système. N'hésitez pas à contacter votre revendeur agréé Rotel pour obtenir les réponses à toutes les questions que vous pourriez vous poser. En outre, nous sommes toujours heureux, chez Rotel, de recevoir toutes vos remarques et commentaires.

Conservez soigneusement le carton ainsi que les éléments servant à l'emballage pour un usage futur éventuel. En effet, expédier ou déménager l'amplificateur dans quoique ce soit d'autre que son carton d'origine peut avoir pour conséquence d'endommager gravement votre appareil et qui ne serait pas convertie par la garantie.

Si inclus dans la boîte, veuillez compléter la carte d'enregistrement du propriétaire ou vous inscrire en ligne, et conservez en lieu sûr la facture originale. Elle constitue votre meilleure preuve de date d'achat au cas où vous auriez besoin de faire appliquer la garantie constructeur.

Installation

Le RMB-1504 génère de la chaleur pendant leur fonctionnement normal. Les ouïes de refroidissement et la ventilation interne de l'amplificateur sont conçues pour dissiper la chaleur. Les ouïes de refroidissement sur le dessus de l'appareil doivent rester libres. Il doit y avoir environ 10 cm de dégagement tout autour de lui pour permettre le bon fonctionnement de sa ventilation et une bonne circulation d'air tout autour du meuble qui le supporte pour éviter toute surchauffe à l'amplificateur.

Prenez en compte le poids et les dimensions de l'appareil lorsque vous le disposez sur une étagère, un meuble ou dans un rack, et vérifiez que ceux-ci sont bien en mesure de supporter son poids. Nous vous conseillons de disposer l'appareil dans un meuble conçu pour intégrer des éléments audio domestiques. De tels meubles sont spécialement fabriqués pour réduire ou supprimer les vibrations qui peuvent affecter la qualité sonore. Prenez conseil auprès de votre revendeur agréé Rotel sur un choix de meuble et pour une installation correcte de vos éléments audio.

Alimentation secteur et commandes

Prise secteur ¹¹

Votre amplificateur est configuré en usine pour fonctionner avec la tension d'alimentation secteur en vigueur dans le pays où vous l'avez acheté (États-Unis : 120 volts/60 Hz ou Communauté Européenne : 230 volts/50 Hz). La configuration est inscrite sur une étiquette à l'arrière de votre RMB-1504.

REMARQUE : Au cas où vous seriez amené à déménager votre appareil dans un pays étranger, il sera possible de changer sa tension d'alimentation en interne. N'essayez pas de faire cette opération vous-même. En effet, ouvrir le châssis expose à des tensions élevées et potentiellement dangereuses. Adressez-vous à un technicien qualifié, ou au service après-vente Rotel pour plus d'informations.

REMARQUE : Certains produits sont destinés à être commercialisés dans plusieurs pays et sont par conséquent fournis avec plusieurs cordons secteur. Choisissez bien le câble secteur qui correspond à votre pays de résidence.

Du fait de sa puissance de sortie relativement élevée, votre amplificateur peut nécessiter des niveaux en courant très importants. Par conséquent, il doit être branché directement dans une prise murale polarisée à l'aide du câble fourni ou d'un autre câble compatible haute tension tel que recommandé par votre revendeur Rotel agréé. N'utilisez pas de rallonge. Vous pouvez toutefois utiliser un bloc multiprises de qualité, mais en étant sûr qu'à la fois le bloc multiprises et la prise murale seront capables de supporter la totalité de la puissance requise par l'amplificateur et celle des autres éléments connectés.

Assurez-vous que le bouton POWER SWITCH ¹ en face avant de l'amplificateur soit coupé (sur la position "out"). Puis, reliez le cordon d'alimentation fourni à la prise d'alimentation secteur ¹¹ à l'arrière de l'appareil, et à la prise murale.

Si vous prévoyez de vous absenter pendant une période de temps assez longue, c'est une bonne précaution de débrancher votre amplificateur (ainsi que les autres éléments audio) pendant votre absence.

Interrupteur de mise sous tension/veille Standby et indicateur Power ¹

Appuyez sur le bouton Power Switch sur la face avant pour mettre l'appareil en marche. La diode indicatrice de mise sous tension va s'allumer, indiquant que l'amplificateur est désormais sous tension. Appuyez de nouveau sur le bouton pour repasser votre appareil sur arrêt.

REMARQUE : Vous pouvez mettre en place l'anneau auto-adhésif fourni autour du bouton marche/arrêt si vous jugez la lumière bleue trop vive.

Sélecteur de mode de mise sous tension ON/OFF ⁷

Le RMB-1504 vous propose trois options différentes pour sa mise sous tension, manuelle ou automatique. Ces options sont choisies à partir d'un sélecteur à trois positions, placé en face arrière de l'appareil:

- **Avec le sélecteur en position repérée «OFF»**, l'amplificateur est mis sous ou hors tension manuellement, via sa touche Power en face avant. Vous utiliserez aussi ce mode si le câble secteur de l'amplificateur est branché sur une prise commutée, déclenchée déjà par un autre maillon.
- **Lorsque le sélecteur est placé sur sa position repérée «SIGNAL SENSE» (capteur de signal)**, l'amplificateur s'allume automatiquement lorsqu'il détecte un signal sur ses entrées modulation. Il se remet en mode de veille Standby si aucun signal n'est détecté au bout de quelques minutes. L'interrupteur Power de la face avant doit être déjà pressé (mode ON) pour que cette détection de signal fonctionne. Sinon, l'amplificateur reste éteint en présence ou non d'un signal sur ses entrées.
- **Lorsque le sélecteur est placé sur la position repérée «+ 12V TRIG»**, l'amplificateur s'allume automatiquement lorsqu'une tension de 12 volts est envoyée sur sa prise jack 3,5 mm placée à gauche du sélecteur. Il se remet en mode de veille Standby dès que cette tension disparaît sur la prise. L'interrupteur POWER SWITCH en face avant est placé avant ce sélecteur: il doit être pressé (ON) pour que la commutation TRIGGER 12 V soit effective et efficace. Couper l'alimentation avec cet interrupteur (OFF) éteint l'amplificateur, qu'il y ait ou non une tension de 12 volts sur la prise TRIGGER.

Entrée trigger 12 V ⁶

La prise jack 3,5 mm repérée IN est prévue pour transporter la tension de 12 volts nécessaire au fonctionnement de la commutation TRIGGER que nous venons de décrire, la tension étant envoyée par un processeur Surround

ou préamplificateur Rotel. Pour être efficace, le sélecteur doit être sur sa position la plus à gauche (voir paragraphe précédent).

Cette entrée accepte en fait une tension continue ou alternative, d'une valeur comprise entre 3 et 30 volts. Utilisez un câble équipé de prises mini-jacks 3,5 mm mono à chacune de ses extrémités. Le positif «+ 12 V» se trouve sur la pointe des mini-jacks.

Sortie trigger 12 V

La prise 12 V TRIG repérée OUT permet de brancher une autre prise jack 3,5 mm pour renvoyer la tension de commutation 12 volts vers un autre appareil. La tension 12 volts n'est toutefois présente que si la prise INPUT est réellement alimentée par une telle tension, tension renvoyée alors sur la prise OUT.

Disjoncteur

Un disjoncteur, accessible en face arrière, protège les circuits électriques de l'amplificateur. Ce disjoncteur ne s'activera généralement qu'en cas d'utilisation inappropriée, se traduisant par la présence d'un courant excessif. Pour réarmer le disjoncteur, pressez ce bouton. S'il s'enclenche à nouveau à plusieurs reprises, contactez immédiatement votre revendeur agréé Rotel.

Circuit de protection

Le RMB-1504 dispose d'un circuit de protection à la fois thermique et contre les surcharges de courant, qui protège l'appareil de dommages pouvant survenir dans des conditions extrêmes d'utilisation, ou non-conformes. Contrairement à beaucoup de circuits similaires, cette fonction est totalement indépendante du signal audio et n'a aucune influence sur les performances sonores. Le circuit de protection mesure en permanence la température et le courant au niveau des composants de sortie et coupe l'amplificateur s'ils dépassent les valeurs de fonctionnement normal.

En usage courant, vous ne devriez jamais voir le circuit de protection s'activer. Toutefois, si un problème survient, l'amplificateur va cesser de fonctionner et une ou plusieurs des diodes LED «PROTECTION» (une par paire de canaux) de la face avant s'allume (nt).

Si cela se produit, débranchez immédiatement l'amplificateur. Laissez le refroidir pendant quelques minutes, et essayez de déterminer l'origine du problème qui a causé l'activation du circuit de protection. Lorsque vous remettez l'appareil sous tension de nouveau, le circuit de protection va se réinitialiser automatiquement et la ou les diodes PROTECTION s'éteignent, pour indiquer que le fonctionnement de l'amplificateur est désormais normal.

Dans la plupart des cas, le circuit de protection s'active en présence d'un défaut majeur tel qu'un court-circuit au niveau des sorties de puissance (enceintes acoustiques), ou d'un problème de ventilation insuffisante ayant entraîné une surchauffe. Dans de très rares cas, des enceintes ayant une impédance instable ou extrêmement basse peuvent être la cause de l'activation du circuit de protection.

Si le circuit de protection se met en marche de manière répétée et intempestive, et que vous ne parvenez pas à déterminer l'origine du problème, contactez votre revendeur agréé Rotel pour assistance.

Connexions du signal

Le RMB-1504 intègre à la fois des prises traditionnelles de type RCA, des modèles de prises que l'on peut trouver sur la très grande majorité des appareils audio.

Il y a également une paire de prises RCA supplémentaire, repérée SIGNAL OUTPUT LINK, qui permet de renvoyer le signal branché sur la paire de canaux repérée «A» vers les entrées des paires de canaux repérées «B», ce qui permet d'alimenter plusieurs paires d'enceintes acoustiques avec le même signal sans avoir à utiliser de câbles externes supplémentaires.

REMARQUE : Pour éviter de forts bruits parasites potentiellement dommageables pour vos enceintes, assurez-vous que tous les éléments de votre système sont hors tension avant de faire les connexions.

Entrées RCA

Voir Figure 2

Il y a une entrées par prises RCA pour chacune des deux paires de canaux d'amplification. Elles acceptent le signal de sortie en provenance d'un préamplificateur ou d'un processeur Surround. N'utilisez que des câbles de liaison de très haute qualité pour les meilleures performances possibles.

Pour chaque paire de canaux, branchez la sortie gauche (left) du préamplificateur sur l'entrée repérée LEFT INPUT du RMB-1504. Branchez la sortie droite de la même manière, sur la prise repérée RIGHT INPUT. Assurez-vous que le commutateur placé à droite des entrées RCA est bien dans la position STEREO.

Sélecteur Mono

Lorsque le sélecteur MONO est sur sa position ON, l'entrée du canal gauche A est reliée au canal d'amplification droit.

Relier les entrées

Vous pouvez relier les entrées des groupes repérés «B» aux entrées repérées «A» en positionnant le sélecteur se trouvant à droite de chaque paire de prises RCA correspondantes dans la position «LINK». Dans ce cas, plus aucun câblage n'est nécessaire sur les entrées placées sur LINK. Le signal d'entrée branché sur «A» est envoyé automatiquement aux paires de canaux ainsi reliées, ce qui vous permet d'utiliser les toutes quatre canaux d'amplification à partir du même signal d'entrée stéréo.

Contrôles du niveau d'entrée

Deux contrôles placés en face avant, un pour chaque paire de canaux, permettent de régler le gain en entrée. Cela permet d'équilibrer le niveau sonore de tous les composants, même dans les installations les plus complexes. Le bouton repéré «A» règle le gain de la paire de canaux «A»; le bouton repéré «B» règle le gain de la paire «B».

Pour régler ces boutons, utilisez un tournevis à lame étroite et fine: pour augmenter le niveau dans le sens des aiguilles d'une montre, et dans le sens inverse pour diminuer le niveau.

Renvoi de signal de sortie

Cette paire de prises RCA peut être utilisée pour transmettre le signal, non traité, envoyé au RMB-1504, vers un autre amplificateur indépendant «chaîné» au premier, par exemple pour alimenter une seconde paire d'enceintes acoustiques. C'est le signal d'entrée envoyé sur les canaux «A» qui est disponible sur ces sorties LINK.

REMARQUE : Les signaux d'entrée branchés sur la paire «A» peuvent toujours être également envoyés vers les entrées «B» en positionnant le sélecteur repéré «INPUT SELECT» sur la position LINK, pour la paire de canaux que l'on désire ainsi associer.

Branchement des enceintes acoustiques

Le RMB-1504 possède deux paires de prises pour enceintes acoustiques, soit une paire par paire de canaux d'amplification.

Choix des enceintes acoustiques

Nous vous conseillons d'utiliser des enceintes ayant une impédance minimale de 4 ohms ou plus avec le RMB-1504. Vous devez prendre certaines précautions si vous décidez d'alimenter plusieurs paires d'enceintes branchées en parallèle du fait que, à chaque fois l'impédance effective vue par l'amplificateur sera divisée par deux. Par exemple, si vous utilisez deux paires d'enceintes ayant chacune une impédance de 8 ohms, l'amplificateur verra une charge effective de 4 ohms. Lors de la mise en œuvre d'enceintes multiples branchées en parallèle, nous vous recommandons de choisir des enceintes ayant une impédance nominale de 8 ohms ou plus. Dans la pratique, un très petit nombre d'enceintes acoustiques peuvent poser un problème quant à leur utilisation avec le RMB-1504. Consultez votre revendeur agréé Rotel pour toute question.

Choix des câbles d'enceintes acoustiques

Utilisez du câble isolé à deux conducteurs pour relier l'amplificateur aux enceintes acoustiques. Le diamètre et la qualité du câble utilisé peut avoir un effet audible sur les performances du système. Du câble standard pour enceintes fonctionnera, mais il pourra en résulter un niveau de sortie plus faible et une réponse dans le grave diminuée. D'une façon générale, un plus gros câble donnera de meilleurs résultats sur le plan sonore. Pour des performances optimales, vous pouvez envisager l'utilisation de câble d'enceintes de très haute qualité. Votre revendeur agréé Rotel pourra vous conseiller sur un choix de câbles optimal pour votre système.

Polarité et Phase

La polarité – autrement dit, le branchement positif ou négatif des câbles – pour chacune des connexions aussi bien pour les enceintes que l'amplificateur, devra être en parfaite cohérence de manière à ce que toutes les enceintes soient rigoureusement en phase. Si la polarité d'un des branchements est inversée, le niveau de graves sera faible et l'image stéréo sera dégradée. Les câbles d'enceintes sont marqués de façon à ce que vous puissiez clairement identifier les deux conducteurs. Le câble peut notamment être transparent et les conducteurs être de couleurs différentes (cuivre et argent). Il peut aussi y avoir des indications imprimées directement sur l'isolant. Identifiez soigneusement les conducteurs et connectez les en parfaite cohérence entre chacune des enceintes, et chaque amplificateur.

Branchement des enceintes

Voir Figure 2

REMARQUE : le texte suivant décrit à la fois les branchements par bornes à vis ou par connexion directe. **N'UTILISEZ PAS** les deux types de branchements simultanément pour alimenter plusieurs paires d'enceintes.

Mettez sur arrêt tous les éléments du système avant de brancher les enceintes. Le RMB-1504 disposent de bornes de connexion à vis pour enceintes acoustiques avec code couleur sur le panneau arrière. Ces connecteurs acceptent du câble nu, des cosses à fourche, ou des fiches de type bananes (excepté dans les pays de la Communauté européenne, où leur utilisation n'est pas permise).

Déployez les câbles depuis l'amplificateur jusqu'aux enceintes. Donnez-leur suffisamment de mou pour pouvoir déplacer facilement les éléments, de manière à accéder sans difficulté aux connecteurs d'enceintes.

Si vous utilisez des prises bananes doubles, connectez-les aux câbles et branchez-les au centre des bornes à vis. Les bornes de connexion devront être vissées à fond dans tous les cas (dans le sens des aiguilles d'une montre).

Si vous utilisez des cosses à fourches, reliez-les d'abord aux câbles. Enfin, si vous faites le choix de relier directement les câbles nus aux bornes à vis, séparez les deux conducteurs et dénudez-en chaque extrémité. Faites attention à ne pas couper les fils constituant le câble. Dévissez (tournez dans le sens contraire des aiguilles d'une montre) les bornes de connexion. Placez la cosse à fourche ou le câble nu autour de la vis. Vissez à fond l'extrémité des bornes de connexion dans le sens des aiguilles d'une montre pour bien sécuriser le branchement de la cosse à fourche ou du câble nu.

REMARQUE : Assurez-vous qu'il n'y ait aucun fil qui puisse toucher le câble ou les bornes de connexions adjacents.

Pour chaque paire de canaux d'amplification, branchez l'enceinte de gauche sur la paire de prises repérées LEFT. Branchez l'enceinte de droite sur la paire de prises repérées RIGHT. Suivez les inscriptions portées au-dessus des prises pour respecter la bonne polarité «+» et «-». Assurez-vous que la prise négative de l'enceinte est bien reliée à la prise négative de l'amplificateur.

Problèmes de fonctionnement

La plupart des problèmes rencontrés avec les systèmes audio sont dus à des branchements incorrects ou à une mauvaise configuration. Si vous constatez des dysfonctionnements, isolez la partie en cause, vérifiez la configuration, déterminez l'origine du défaut et apportez les modifications qui sont nécessaires. Si vous n'obtenez pas de son de l'amplificateur, suivez les recommandations suivantes, selon le cas :

L'indicateur de mise sous tension n'est pas allumé

L'amplificateur RMB-1506 n'est pas alimenté par le secteur. Vérifiez la position de l'interrupteur de mise sous tension Power (position ON). Si vous avez choisi l'option de mise sous tension par présence d'un signal à l'entrée SIGNAL SENSING, assurez-vous qu'un tel signal est bien présent ! Idem pour la position 12 V TRIG., ou une tension de commutation doit bien être présente sur la prise jack correspondante.

Pas de son

Si l'amplificateur est bien sous tension mais qu'aucun son n'en sort, regardez les diodes PROTECTION INDICATORS sur la face avant. Si elles sont allumées, voir le paragraphe suivant. Si elles sont éteintes, vérifiez tous les maillons du système, la qualité des branchements et la position des diverses commandes.

Indicateur de protection

Le circuit de protection PROTECTION INDICATORS est entré en fonctionnement et la diode de protection correspondante s'est allumée. Cela arrive principalement quand les ouïes d'aération ont été obstruées, quand il y a un court-circuit dans les sorties enceintes, ou si l'amplificateur a fonctionné très longtemps à puissance maximum. Éteignez l'amplificateur et attendez qu'il refroidisse. Le fait d'appuyer à nouveau sur l'interrupteur de mise sous tension pour rallumer l'appareil entraînera la réinitialisation automatique des circuits de protection. Si la protection se remet à fonctionner, il y a un problème dans le système ou l'amplificateur lui-même.

Spécifications

Puissance de sortie continue sur 8 ohms (20-20kHz, < 0.03%, 8 ohms)	4 x 70 watts/canal sur 8 ohms, tous les canaux en service
Distorsion harmonique totale (20 Hz - 20000 Hz, 8 ohms)	
Puissance maximale continue:	< 0.03%
Demi-puissance:	< 0.03%
Puissance 1 watt:	< 0.03%
Distorsion d'intermodulation (60Hz : 7kHz, 4:1)	< 0.03%
Facteur d'amortissement (20-20kHz, 8 ohms)	>200
Impédance / Sensibilité d'entrée	20kiloohms/1 volt
Gain	26 dB
Niveau de saturation de l'entrée	5 volt
Réponse en fréquence (± 1 dB)	10 Hz - 100k Hz
Rapport signal/bruit (pondéré A IHF)	115 dB
Diaphonie/Séparation des canaux	> 50 dB
Impédance des enceintes	4 ohms minimum
Seuil d'activation	4 mV input signal
de la mise sous tension automatique	
Alimentation électrique	120V, 60 Hz (Etats-Unis) 230V, 50 Hz (Europe)
Consommation	300 watts
Consommation en veille	
Présence signal	1 watt
En veille	< 0.5 watts
BTU	810 BTU / h
Dimensions	
Largeur x Hauteur x Profondeur	431 x 144 x 443 mm 17" x 5 ² / ₃ " x 17 ¹ / ₂ "
Hauteur du panneau avant	3 U / 132.6 mm / 5 ² / ₉ "
Poids (net)	14.9 kg, 32.8 lbs.

Toutes les spécifications sont garanties exactes au moment de l'impression.
Rotel se réserve le droit de les modifier sans préavis.

Rotel et le logo Rotel HiFi sont des marques déposées de The Rotel Co, Ltd, Tokyo, Japon.

Wichtige Sicherheitshinweise

WARNUNG: Im Innern des Gerätes befinden sich keine vom Bediener zu wartenden Teile. Alle Servicearbeiten müssen von qualifiziertem Servicepersonal durchgeführt werden.

WARNUNG: Zum Schutz vor Feuer oder einem elektrischen Schlag darf das Gerät weder Feuchtigkeit noch Wasser ausgesetzt werden. Achten Sie darauf, dass keine Spritzer in das Gerät gelangen. Stellen Sie keine mit Flüssigkeit gefüllten Gegenstände (z. B. Vasen) auf das Gerät. Das Eindringen von Gegenständen in das Gehäuse ist zu vermeiden. Sollte das Gerät trotzdem einmal Feuchtigkeit ausgesetzt sein oder ein Gegenstand in das Gehäuse gelangen, so trennen Sie es sofort vom Netz. Lassen Sie es von einem Fachmann prüfen und die notwendigen Reparaturarbeiten durchführen.

Bitte lesen Sie sich die Bedienungsanleitung vor Nutzung des Gerätes genau durch.

Bewahren Sie die Bedienungsanleitung so auf, dass sie jederzeit zugänglich ist.

Befolgen Sie alle Warnhinweise.

Befolgen Sie alle Sicherheitshinweise in der Bedienungsanleitung und auf dem Gerät.

Betreiben Sie das Gerät nicht in der Nähe von Wasser.

Reinigen Sie das Gehäuse nur mit einem weichen, trockenen Tuch oder einem Staubsauger.

Stellen Sie das Gerät weder auf ein Bett, Sofa, Teppich oder ähnliche Oberflächen, damit die Ventilationsöffnungen nicht verdeckt werden. Das Gerät sollte nur dann in einem Regal oder in einem Schrank untergebracht werden, wenn eine ausreichende Luftzirkulation gewährleistet ist.

Stellen Sie das Gerät nicht in die Nähe von Wärmequellen (Heizkörpern, Wärmespeichern, Öfen oder sonstigen Quellen, die Wärme erzeugen).

Versuchen Sie nicht, die Erdungs- und/oder Polarisationsvorschriften zu umgehen. Das Netzkabel sollte an eine Schutzkontaktsteckdose angeschlossen werden.

Netzkabel sind so zu verlegen, dass sie nicht beschädigt werden können (z. B. durch Trittbelastung, Möbelstücke oder Erwärmung). Besondere Vorsicht ist dabei an den Steckern, Verteilern und den Anschlussstellen des Gerätes geboten.

Verwenden Sie nur vom Hersteller spezifiziertes Zubehör.

Verwenden Sie nur Transportmittel, Racks, Halterungen oder Regalsysteme, die stabil genug sind, um das Gerät zu tragen. Seien Sie vorsichtig, wenn Sie das Gerät in einem Ständer oder Rack bewegen, um Verletzungen oder Schäden am Gerät zu vermeiden.



Während eines Gewitters oder bei Nichtbenutzung über einen längeren Zeitraum ziehen Sie den Netzstecker aus der Steckdose.

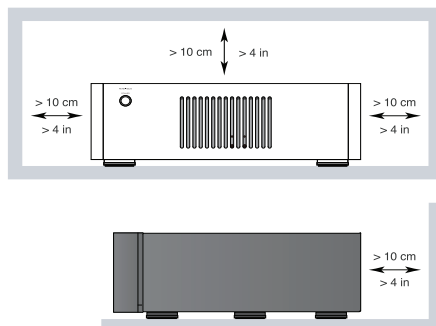
Schalten Sie das Gerät sofort aus und ziehen Sie geschultes Fachpersonal zu Rate, wenn: das Netzkabel oder der Stecker beschädigt sind; Gegenstände bzw. Flüssigkeit in das Gerät gelangt sind; das Gerät Regen ausgesetzt war, das Gerät nicht ordnungsgemäß funktioniert bzw. eine deutliche Leistungsminderung aufweist; das Gerät hingefallen ist bzw. beschädigt wurde.

Das Gerät sollte in nicht tropischem Klima verwendet werden.

Die Belüftung darf nicht dadurch beeinträchtigt werden, dass die Belüftungsöffnungen mit Gegenständen wie Zeitungen, Tischdecken, Vorhängen usw. abgedeckt werden.

Stellen Sie keine offenen Flammen wie brennende Kerzen auf das Gerät.

Stellen Sie sicher, dass um das Gerät ein Freiraum von 10 cm gewährleistet ist.



WARNUNG: Die Verbindung mit dem Netz kann nur über den Netzeingang an der Geräterückseite unterbrochen werden. Das Gerät muss so aufgestellt werden, dass der Netzeingang frei zugänglich ist.

Bevor Sie das Gerät in Betrieb nehmen, prüfen Sie, ob die Betriebsspannung mit der örtlichen Netzspannung (Europa: 230 V/ 50 Hz) übereinstimmt. Die Betriebsspannung ist an der Rückseite des Gerätes angegeben.

Schließen Sie das Gerät nur mit dem dazugehörigen Netzkabel an die Wandsteckdose an. Modifizieren Sie das Netzkabel auf keinen Fall. Verwenden Sie keine Verlängerungskabel.

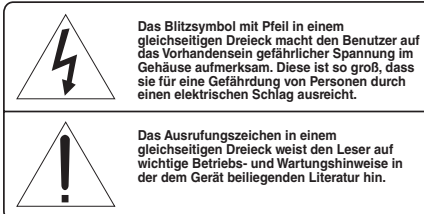
Verwenden Sie gemäß Class 2 isolierte Lautsprecherkabel, um eine ordnungsgemäße Installation zu gewährleisten und die Gefahr eines elektrischen Schlages zu minimieren.



APPLICABLE FOR USA, CANADA OR WHERE APPROVED FOR THE USAGE

CAUTION: TO PREVENT ELECTRIC SHOCK, MATCH WIDE BLADE OF PLUG TO WIDE SLOT, INSERT FULLY.

ATTENTION: POUR EVITER LES CHOCES ELECTRIQUES, INTRODUIRE LA LAME LA PLUS LARGE DE LA FICHE DANS LA BORNE CORRESPONDANTE DE LA PRISE ET POUSSER JUSQU'AU FOND.



Rotel-Produkte entsprechen den internationalen Richtlinien über die Beschränkung der Verwendung bestimmter gefährlicher Stoffe in Elektro- und Elektronikgeräten (Restriction of Hazardous Substances (kurz RoHS genannt)) und über Elektro- und Elektronik-Altgeräte (Waste Electrical and Electronic Equipment (WEEE)). Die durchgestrichene Mülltonne steht für deren Einhaltung und besagt, dass die Produkte ordnungsgemäß recycelt oder diesen Richtlinien entsprechend entsorgt werden müssen.



PDieses Symbol bedeutet, dass das Gerät doppelt isoliert ist. Es muss daher nicht geerdet werden.



Inhaltsverzeichnis

Figure 1: Bedienelemente und Anschlüsse	3
Figure 2: Analoge Eingänge und Anschließen der Lautsprecher	4
Wichtige Hinweise	5
Wichtige Sicherheitshinweise	16
Die Firma Rotel	17
Zu dieser Anleitung	17
Ausstattungsmerkmale	17
Einige Vorsichtsmaßnahmen	17
Aufstellung des Gerätes	18
Netzspannung und Bedienung	18
Netzanschluss ^[1]	18
POWER-Schalter und Betriebsanzeige ^[1]	18
Auto Turn on/off-Schalter ^[7]	18
12V TRIG-Eingang ^[6]	18
12V TRIG-Ausgang ^[6]	18
Sicherungsautomat ^[10]	18
Schutzschaltung ^[2]	19
Signalanschlüsse	19
Cinch-Eingänge ^[4]	19
Mono-Schalter ^[4]	19
LINK-Funktion ^[4]	19
Pegelsteller ^[3]	19
Signal Output Link ^[5]	19
Anschließen der Lautsprecher	21
Auswahl der Lautsprecher	19
Auswahl der Lautsprecherkabel	19
Polarität und Phasenabgleich	20
Anschließen der Lautsprecher ^[8] ^[9]	20
Bei Störungen	20
Die Betriebsanzeige leuchtet nicht	20
Kein Ton	20
Betriebsanzeige blinkt (Schutzmodus)	20
Technische Daten	21

Die Firma Rotel

Unsere Geschichte begann vor über 50 Jahren. In den folgenden Jahrzehnten haben wir Hunderte von Auszeichnungen für unsere Produkte erhalten und unzähligen Menschen echten Hörgenuss bereitet, denen gute Unterhaltung wichtig ist.

Rotel wurde von einer Familie gegründet, deren Interesse an Musik so groß war, dass sie beschloss, hochwertigste HiFi-Produkte herzustellen und Musikliebhabern ungeachtet ihres Geldbeutels einen außergewöhnlichen Wert zukommen zu lassen. Ein Ziel, das von allen Rotel-Mitarbeitern verfolgt wird.

Die Ingenieure arbeiten als Team eng zusammen. Sie hören sich jedes neue Produkt an und stimmen es klanglich ab, bis es den gewünschten Musikstandards entspricht. Die eingesetzten Bauteile stammen aus verschiedenen Ländern und wurden ausgewählt, um das jeweilige Produkt zu optimieren. So finden Sie in Rotel-Geräten Kondensatoren aus Großbritannien und Deutschland, Halbleiter aus Japan oder den USA und direkt bei Rotel gefertigte Ringkerntransformatoren.

Wir fühlen uns unserer Umwelt gegenüber verpflichtet. Und da immer mehr Elektronik produziert wird und später entsorgt werden muss, ist es

von Herstellerseite besonders wichtig, Produkte zu entwickeln, die unsere Umwelt möglichst wenig belasten.

Rotel ist stolz darauf, seinen Beitrag zu leisten. So konnten wir den Bleianteil in unserer Elektronik durch bleifreies Lötten reduzieren. Unsere Ingenieure arbeiten stetig daran, die Effizienz unserer Netzteile zu verbessern, ohne dabei Kompromisse in der Qualität einzugehen. Im Standby-Betrieb ist die Leistungsaufnahme von Rotel-Geräten minimal, um den geltenden Grenzwert einzuhalten.

Wir verbessern den Herstellungsprozess stetig, um ihn möglichst sauber und umweltfreundlich zu gestalten.

Vielen Dank, dass Sie sich für dieses Rotel-Produkt entschieden haben. Wir sind sicher, dass Sie in den nächsten Jahren viel Freude daran haben werden.

Zu dieser Anleitung

Vielen Dank, dass Sie sich für die Rotel-Vierkanal-Endstufe RMB-1504 entschieden haben. In einem hochwertigen Musik- oder HiFi-Cinema-System werden Sie mit dieser Rotel-Endstufe viele Jahre Musikgenuss pur erleben.

Die RMB-1504 ist eine moderne Vierkanal-Endstufe. Sie überzeugt dank diskreter Leistungstransistoren, einem leistungsstarken Netzteil mit Ringkerntransformator, erstklassigen Bauteilen und Rotels Balanced-Design-Konzept mit höchster Wiedergabequalität. Aufgrund der hohen Stromlieferfähigkeit kann die RMB-1504 problemlos mit anspruchsvollen Lautsprechern kombiniert werden.

Ausstattungsmerkmale

- Vierkanal-Endstufe mit 70 Watt pro Kanal an 8 Ohm.
- Pegelsteller an der Gerätefront.
- Power on/off-Konfiguration: Manuell, über Eingangssignal-Erkennung oder über 12-Volt-Trigger-Signal.
- Schutzschaltung bei Störungen mit LED-Anzeigen an der Gerätefront.
- Schaltbare Eingangssignal-Verteilung, Mono-Schalter, gepufferte Link-Ausgänge für eine maximale Flexibilität bei der Systemkonfiguration.

Einige Vorsichtsmaßnahmen

WARNUNG: Um möglichen Beschädigungen Ihres Systems vorzubeugen, wenn Sie Lautsprecher oder sonstige Geräte daran anschließen bzw. davon trennen, schalten Sie ALLE Komponenten im System ab. Schalten Sie sie erst wieder ein, wenn Sie sichergestellt haben, dass alle Verbindungen ordnungsgemäß und sicher hergestellt worden sind. Achten Sie dabei besonders auf die Lautsprecherkabel. Lose Drähte dürfen weder andere Lautsprecherkabel noch das Gehäuse des Verstärkers berühren.

Lesen Sie sich die Bedienungsanleitung bitte vor der Inbetriebnahme genau durch. Neben grundsätzlichen Installations- und Bedienungshinweisen (bitte beachten Sie auch die Sicherheitshinweise am Anfang der Bedienungsanleitung) enthält sie allgemeine Informationen, die Ihnen helfen werden, Ihr System mit seiner maximalen Leistungsfähigkeit zu betreiben. Bitte setzen Sie sich bei etwaigen Fragen mit Ihrem autorisierten Rotel-Fachhändler in Verbindung.

Bewahren Sie den Versandkarton und das übrige Verpackungsmaterial der Endstufe für einen eventuellen späteren Einsatz auf. Der Versand oder Transport der Endstufe in einer anderen als der Originalverpackung kann zu erheblichen Beschädigungen Ihrer Endstufe führen.

Wenn in der Box enthalten, füllen Sie bitte die Registrierungskarte des Besitzers aus oder registrieren Sie sich online. Bewahren Sie bitte die Original-Kaufquittung auf. Sie belegt am besten das Kaufdatum, das für Sie wichtig wird, sobald Sie eine Garantieleistung in Anspruch nehmen.

Aufstellung des Gerätes

Die RMB-1504 erwärmen sich während des normalen Betriebes. Diese Wärme kann unter normalen Bedingungen über die Kühlrippen und Ventilationsöffnungen der Endstufe problemlos abgeführt werden. Die Ventilationsöffnungen an der Oberseite dürfen nicht blockiert werden. Das Gerät ist an einem Ort aufzustellen, an dem rund um das Gehäuse ein Freiraum von 10 cm und eine ausreichende Luftzirkulation gewährleistet sind, um ein Überhitzen zu verhindern.

Beachten Sie dies beim Einbau in einen Schrank oder beim Aufeinanderstellen mehrerer Systemkomponenten. Berücksichtigen Sie beim Aufbau das Gewicht der Endstufe. Stellen Sie sicher, dass das Regal oder der Schrank auf das vergleichsweise hohe Gewicht der RMB-1504 ausgelegt ist. Wir empfehlen, das Gerät in speziell für die Unterbringung von Audiokomponenten entwickeltem Mobiliar unterzubringen. In diesem Mobiliar werden Schwingungen reduziert oder unterdrückt, die wiederum die Klangqualität beeinträchtigen können. Lassen Sie sich diesbezüglich von Ihrem autorisierten Rotel-Fachhändler beraten.

Netzspannung und Bedienung

Netzaneingang ¹¹

Ihre Endstufe wird von Rotel so eingestellt, dass sie mit der in Ihrem Land üblichen Wechselspannung (230 Volt bzw. 120 Volt) arbeitet. Die Einstellung ist an der Geräterückseite angegeben.

HINWEIS: Sollten Sie mit Ihrer Endstufe in ein anderes Land umziehen, kann die Einstellung der Endstufe geändert werden, so dass sie mit einer anderen Netzspannung betrieben werden kann. Versuchen Sie auf keinen Fall, diese Änderung selber vorzunehmen. Durch Öffnen des Endstufengehäuses setzen Sie sich gefährlichen Spannungen aus. Ziehen Sie hierzu stets qualifiziertes Servicepersonal zu Rate.

HINWEIS: Einige Produkte werden in mehr als einem Land verkauft, so dass auch mehr als ein Netzkabel zum Lieferumfang gehört. Bitte verwenden Sie ausschließlich das für Ihr Land/Ihre Region geeignete Kabel.

Der RMB-1504 benötigt relativ viel Strom. Daher sollte es direkt in eine polarisierte Steckdose gesteckt werden, indem das mitgelieferte Kabel oder ein anderes hochstromkompatibles Kabel verwendet wird, wie es von Ihrem autorisierten Rotel-Händler empfohlen wird. Verwenden Sie kein Verlängerungskabel. Eine hochbelastbare Mehrfachsteckdose kann eingesetzt werden, wenn sie (und die Wandsteckdose) ausreichende Strommengen für den RMB-1504 sowie die anderen an sie angeschlossenen Komponenten liefern können.

Stellen Sie sicher, dass sich der POWER-Schalter ¹ an der Gerätefront in der AUS-Position befindet. Verbinden Sie nun das beiliegende Netzkabel mit dem Netzeingang ¹¹ an der Geräterückseite und stecken Sie das andere Ende des Kabels in die Wandsteckdose.

Sind Sie für längere Zeit nicht zu Hause, wie z. B. während einer mehrwöchigen Urlaubsreise, sollten Sie Ihre Endstufe (ebenso wie alle anderen Audio- und Videokomponenten) während Ihrer Abwesenheit vom Netz trennen.

POWER-Schalter und Betriebsanzeige ¹

Der POWER-Schalter befindet sich an der Gerätefront. Drücken Sie ihn zum Einschalten. Der Ring um den Schalter beginnt zu leuchten und zeigt an, dass die Endstufe eingeschaltet ist. Drücken Sie zum Ausschalten der Endstufe erneut den POWER-Schalter.

HINWEIS: Decken Sie die LED um den Netzschalter mit dem selbstklebenden Ring ab, falls die blaue LED zu hell leuchten sollte.

Auto-Turn on/off-Schalter ⁷

Die RMB-1504 verfügt an der Rückseite über einen Schiebeschalter, über den Sie zwischen drei verschiedenen Modi wählen können:

- **Befindet sich der Schalter in der OFF-Position**, wird die Endstufe manuell über den Netzschalter an der Gerätefront ein- und ausgeschaltet. Wählen Sie diese Einstellung auch, wenn die Endstufe an eine schaltbare Netzsteckdose angeschlossen ist.
- **Befindet sich der Schalter in der SIGNAL SENSE-Position**, so schaltet sich die Endstufe automatisch ein, wenn an den Eingängen ein Signal anliegt. Kommt über einen Zeitraum von mehreren Minuten kein Signal an, schaltet die Endstufe in den Standby-Modus. Diese Funktion kann nur genutzt werden, wenn der Netzschalter an der Gerätefront vorher eingeschaltet wurde.
- **Befindet sich der Schalter in der 12V TRIG-Position**, wird die Endstufe automatisch eingeschaltet, wenn am 12V TRIG-Eingang links neben dem Schiebeschalter ein 12-V-Trigger-Signal anliegt. Liegt kein +12-V-Signal an, schaltet die Endstufe in den Standby-Modus. Diese Funktion kann nur genutzt werden, wenn der Netzschalter an der Gerätefront vorher eingeschaltet wurde.

12V TRIG-Eingang ⁶

An die mit IN gekennzeichnete Anschlussbuchse kann zum Ein- und Ausschalten der Endstufe ein Anschlusskabel zur Übertragung eines +12-V-Triggersignals von einem Rotel-Vorverstärker bzw. -Surround-Prozessor angeschlossen werden. Dazu ist der daneben liegende Schiebeschalter in die linke Position zu setzen (siehe Abschnitt oben).

Der TRIGGER-EINGANG reagiert auf Gleich- oder Wechselspannungssignale von 3 bis 30 Volt. Verwenden Sie ein Kabel mit 3,5-mm-Klinkensteckern an beiden Enden. Das +12-V-Gleichspannungssignal liegt an der Steckerspitze.

12V TRIG-Ausgang ⁶

Die mit OUT gekennzeichnete 12V TRIG-Buchse wird zur Ferneinschaltung eines zweiten Rotel-Verstärkers genutzt. Das 12-V-Ausgangssignal ist verfügbar, sobald ein 12-V-Trigger-Signal an der mit IN gekennzeichneten Buchse anliegt.

Sicherungsautomat ¹⁰

Ein Sicherungsautomat an der Geräterückseite schützt den elektrischen Schaltkreis der Endstufe. In der Regel löst er nur bei Überstrom aus. Durch den Schalter kann der Stromkreis – nach Beseitigen der Störung – problemlos wieder hergestellt werden. Sollte er wiederholt auslösen, so setzen Sie sich bitte mit Ihrem autorisierten Rotel-Fachhändler in Verbindung.

Schutzschaltung [2]

Die RMB-1504 verfügt über eine thermische und eine Überstrom-Schutzschaltung. Hierdurch wird die Endstufe vor möglichen Schäden durch extreme oder fehlerhafte Betriebsbedingungen geschützt. Im Gegensatz zu vielen anderen Konstruktionen sind diese Schutzschaltungen unabhängig vom Audiosignal und beeinflussen den Klang nicht. Stattdessen überwachen sie die Temperatur an den Leistungstransistoren und schalten die Endstufe ab, sobald bestimmte Grenzen überschritten werden.

Es ist unwahrscheinlich, dass es jemals zu einer Überlastung kommt. Sollte dennoch eine Störung auftreten, funktioniert die Endstufe nicht mehr. Die entsprechende(n) PROTECTION-LED(s) beginnt(beginnen) zu leuchten.

Schalten Sie die Endstufe in diesem Fall aus. Lassen Sie sie einige Minuten abkühlen. Versuchen Sie, den Grund für die Störung herauszufinden und zu beheben. Beim erneuten Einschalten der Endstufe setzt sich die Schutzschaltung automatisch zurück und die LEDs erlöschen.

In den meisten Fällen wird die Schutzschaltung durch eine Fehlfunktion, wie z. B. durch kurzgeschlossene Lautsprecherkabel oder eine unzureichende Belüftung, die schließlich zu einer Überhitzung führt, aktiviert. In sehr seltenen Fällen können Lautsprecher mit einer extrem niedrigen Impedanz die Schutzschaltung aktivieren.

Reagieren die Schutzschaltungen wiederholt und können Sie die Ursache für die Störung nicht finden, so setzen Sie sich mit Ihrem autorisierten Rotel-Fachhändler in Verbindung.

Signalanschlüsse

An der Rückseite der RMB-1504 befinden sich unsymmetrische Cinch-Eingänge, wie sie an jedem hochwertigen Audiogerät zu finden sind.

Darüber hinaus befinden sich an der Geräterückseite SIGNAL OUTPUT LINK-Anschlüsse, die das an Kanalpaar „A“ anliegende Eingangssignal zu einer anderen Audiokomponente leiten. Ferner kann das an Kanalpaar „A“ anliegende Eingangssignal automatisch zu den Eingängen der Kanäle „B“ gesendet werden, so dass für diese Kanäle kein separates Eingangssignalkabel erforderlich ist. Dies kann z. B. in großen Systemen hilfreich sein, in denen an die RMB-1504 mehrere Lautsprecherpaare angeschlossen werden.

HINWEIS: Um laute Geräusche zu vermeiden, die zu Beschädigungen führen können, schalten Sie die Endstufe ab, wenn Sie an der Konfiguration der Eingangssignalschlüsse etwas ändern möchten.

Cinch-Eingänge [4]

Siehe Abbildung 2

Für jedes Verstärkerkanalpaar gibt es eine Cinch-Eingänge. An diese Cinch-Eingänge können Vorverstärker bzw. Surround-Prozessoren angeschlossen werden. Verwenden Sie hochwertige Verbindungskabel, um eine erstklassige Klangqualität zu gewährleisten.

Verbinden Sie bei jedem Verstärkerkanalpaar den Ausgang des linken Kanals Ihres Vorverstärkers mit dem Anschluss LEFT INPUT an der RMB-1504. Schließen Sie den rechten Kanal Ihres Vorverstärkers an den Anschluss RIGHT INPUT an. Stellen Sie sicher, dass sich der Eingangswahlschalter in der STEREO-Position befindet.

Mono-Schalter [4]

Beim Betätigen des MONO-Schalters in der ON-Position, wird der Eingang des linken Kanals „A“ mit dem rechten Kanal verbunden.

LINK-Funktion [4]

Sie können die Eingänge für Gruppe „A“ mit den Eingängen der Gruppen „B“ verbinden, indem Sie den jeweiligen Schalter in die LINK-Position bringen. Für diese Gruppe ist dann kein Eingangsanschluss erforderlich. Das Eingangssignal von Gruppe „A“ wird zu dem verbundenen Paar von Kanälen gesendet, so dass Sie vier Verstärkerkanäle mit denselben Stereoingangssignalen nutzen können.

Pegelsteller [3]

Über die zwei an der Gerätefront befindlichen Steller (einer pro Kanalpaar) können die Pegel eingestellt und auf diese Weise an die anderen Komponenten im System angepasst werden. Über den mit A gekennzeichneten Steller wird der Pegel der Kanäle „A“ verändert, über den mit B gekennzeichneten Steller der Pegel der Kanäle „B“.

Drehen Sie die Pegelsteller mit einem kleinen Schlitzschraubendreher im Uhrzeigersinn, um den Pegel zu erhöhen und gegen den Uhrzeigersinn, um den Pegel zu reduzieren.

Signal Output Link [5]

Über diese beiden Cinch-Ausgänge können die Eingangssignale unverändert zu einer anderen Audiokomponente geleitet werden. So kann z. B. eine zusätzliche Endstufe zum Betrieb eines zweiten Lautsprecherpaares angeschlossen werden. Die an den mit „A“ gekennzeichneten Kanälen anliegenden Eingangssignale stehen auch an diesen LINK-Ausgängen zur Verfügung.

HINWEIS: Diese Eingangssignale von den Kanälen „A“ können auch an die Eingänge „B“ weitergeleitet werden, indem der jeweilige Schalter in die LINK-Position gebracht wird.

Anschließen der Lautsprecher

Die RMB-1504 verfügt über zwei Gruppen von Lautsprecheranschlussklemmen (eine Gruppe für jedes Verstärkerkanalpaar).

Auswahl der Lautsprecher

Wir empfehlen, an die RMB-1504 Lautsprecher mit einer nominalen Impedanz von mindestens 4 Ohm anzuschließen. Beim Betrieb mehrerer parallel geschalteter Lautsprecherpaare sollten Sie einige Vorsicht walten lassen, da sich die effektive, vom Verstärker wahrgenommene Impedanz verringert. Beim Betrieb von zwei Paar 8-Ohm-Lautsprechern beträgt die Last für den Verstärker 4 Ohm. Werden mehrere parallel geschaltete Lautsprecher angeschlossen, empfehlen wir, Lautsprecher mit einer nominalen Impedanz von 8 Ohm einzusetzen. Die Angaben bezüglich der Impedanz von Lautsprechern sind oft ungenau. In der Praxis gibt es nur bei sehr wenigen Lautsprechern Probleme beim Betrieb mit der RMB-1504. Wenden Sie sich bei Fragen bitte an Ihren autorisierten Rotel-Fachhändler.

Auswahl der Lautsprecherkabel

Verbinden Sie die Endstufe und die Lautsprecher über ein isoliertes, zweiadriges Lautsprecherkabel. Aufbau und Qualität des Kabels können hörbare Effekte auf die Musikwiedergabe haben. Standard-„Klingeldraht“ wird funktionieren, jedoch können vor allem bei größeren Kabellängen Leistungsverluste und eine ungleichmäßige Wiedergabe des Frequenzspektrums das Ergebnis

sein. Allgemein gilt, dass Kabel mit größerem Querschnitt eine verbesserte Wiedergabequalität gewährleisten. Für höchste Wiedergabequalität sollten Sie die Benutzung von speziellen, hochwertigen Lautsprecherkabeln erwägen. Ihr autorisierter Rotel-Fachhändler wird Ihnen bei der Auswahl dieser Lautsprecherkabel gerne weiterhelfen.

Polarität und Phasenabgleich

Die Polarität – die positive/negative Ausrichtung der Anschlüsse – muss für jede Lautsprecher-/Verstärkerverbindung phasengleich sein. Wird die Polarität einer Verbindung irrtümlicherweise umgekehrt, führt dies zu einem unausgewogenen Klangbild mit schwachen Bässen. Die Kabel sind zur Identifizierung gekennzeichnet. So kann die Isolationsschicht eines Leiters gerippt oder ein Leiter mit einem Streifen markiert sein. Das Kabel kann verschiedenfarbige Leiter (Kupfer und Silber) besitzen und von einer transparenten Isolationsschicht umgeben sein. Bei anderen Kabeln wird die Polaritätsangabe auf die Isolationsschicht gedruckt. Unterscheiden Sie zwischen positiven und negativen Leitern und achten Sie beim Anschluss an Lautsprecher und Verstärker auf die gleiche Polung.

Anschließen der Lautsprecher

Siehe Abbildung 2

HINWEIS: Der folgende Text beschreibt sowohl Binding Post- als auch Plug-In-Verbindungen. Verwenden Sie NICHT beide Verbindungsmethoden in Kombination, um mehrere Lautsprecher anzuschließen.

Schalten Sie alle Geräte im System ab, bevor Sie die Lautsprecher anschließen. Die RMB-1504 verfügen an der Rückseite über zwei farbig gekennzeichnete Schraubklemmen für jeden Verstärkerkanal. An diese Klemmen können blanke Drähte oder Kabelschuhe angeschlossen werden. Die Verwendung von Bananensteckern ist aus Sicherheitsgründen in Europa nicht zulässig.

Führen Sie die Kabel von der Endstufe zu den Lautsprechern. Lassen Sie genügend Raum, damit Sie die Komponenten bewegen können und so einen freien Zugang zu den Lautsprecheranschlüssen sicherstellen.

Bei der Verwendung von Kabelschuhen verbinden Sie diese mit den Kabeln, stecken die Kabelschuhe hinten unter die Anschlussklemmen und drehen die Klemmen im Uhrzeigersinn fest. Sollten die Lautsprecherkabel direkt (ohne Kabelschuhe) an die Lautsprecherklemmen angeschlossen werden, so entfernen Sie an den Kabelenden ca. 15 mm der Isolation. Lösen Sie die Schraubklemmen durch Drehen gegen den Uhrzeigersinn. Verdrillen Sie die blanken Kabelenden, um ein Zerfasern zu vermeiden, und stecken Sie das verdrillte Kabel hinter die Schraubklemmen. Anschließend drehen Sie diese im Uhrzeigersinn fest.

HINWEIS: Achten Sie bitte darauf, dass die blanken Kabelenden vollständig an den Schraubklemmen untergebracht sind und somit das Berühren benachbarter Drähte oder Anschlüsse ausgeschlossen ist.

Bei jeder Gruppe von Kanälen verbinden Sie den linken Lautsprecher mit den mit LEFT gekennzeichneten Schraubklemmen. Schließen Sie den rechten Lautsprecher an die mit RIGHT gekennzeichneten Schraubklemmen an. Gehen Sie dabei wie oberhalb der Schraubklemmen gekennzeichnet vor. Stellen Sie sicher, dass der positive Anschluss am Lautsprecher mit der mit + gekennzeichneten Schraubklemme verbunden wird. Stellen Sie sicher, dass der negative Anschluss am Lautsprecher an die mit - gekennzeichnete Schraubklemme angeschlossen wird.

Bei Störungen

In Audiosystemen sind viele Schwierigkeiten auf falsches Anschließen oder falsches Einstellen der Bedienelemente zurückzuführen. Sollten Probleme auftreten, isolieren Sie den betroffenen Bereich, prüfen die Einstellung der Bedienelemente, lokalisieren die Ursache der Störung und nehmen die notwendigen Veränderungen vor.

Die Betriebsanzeige leuchtet nicht

Die Endstufe bekommt keinen Strom. Prüfen Sie, ob sich der POWER-Schalter an der Gerätefront in der EIN-Position befindet. Prüfen Sie die Netzanschlüsse an der Endstufe und der Wandsteckdose.

Kein Ton

Bekommt die Endstufe Strom und ist trotzdem kein Ton zu hören, prüfen Sie, ob die Betriebsanzeige an der Gerätefront blinkt. Falls ja, beachten Sie bitte die Hinweise unten. Falls nicht, prüfen Sie, ob alle Geräte richtig angeschlossen sind und die Einstellungen an den angeschlossenen Geräten richtig vorgenommen wurden.

Betriebsanzeige blinkt (Schutzmodus)

Wurde die Endstufe von den Schutzschaltungen abgeschaltet, beginnt die POWER-Anzeige an der Gerätefront zu blinken. Normalerweise passiert dies nur, wenn die Endstufe überhitzt wurde, die Lautsprecher nicht richtig angeschlossen wurden oder bei extremer Belastung. Schalten Sie das System ab und warten Sie, bis sich die Endstufe abgekühlt hat. Drücken Sie den POWER-Schalter anschließend einmal ein und aus, um die Schutzschaltungen zurückzusetzen. Ist die Störung nicht beseitigt oder tritt sie erneut auf, liegt das Problem im System oder in der Endstufe selber.

Technische Daten

Dauerleistungsleistung an 8 Ohm (20-20kHz, Klirrfaktor 0.03%)	4 x 70 watts/Kanal an 8 Ohm, alle Kanäle genutzt
Gesamtklirrfaktor (20Hz-20kHz, 8 ohms)	
bei Nennleistung:	< 0,03%
bei halber Nennleistung:	< 0,03%
bei 1 Watt:	< 0,03%
Intermodulationsverzerrung (60Hz : 7kHz, 4:1)	< 0,03%
Dämpfungsfaktor (20-20kHz, 8 ohms)	>200
Eingangsimpedanz/Eingangsempfindlichkeit	20k Ohms/1 volt
Verstärkung	26 dB
Überlastspannung (Eingang)	5 volt
Frequenzgang (± 1 dB)	10 Hz - 100k Hz
Geräuschspannungsabstand (IHF A)	115 dB
Übersprechen/Trennung	> 50 dB
Lautsprecherimpedanz	Minimum 4 ohms
Einschaltautomatik (Pegel an allen Eingängen)	Eingangssignal 4 mV
Spannungsversorgung	
USA:	120 Volt, 60 Hz
Europa:	230 Volt, 50 Hz
Leistungsaufnahme	300 Watt
Leistungsaufnahme (Standby)	
Signal Sense	1 Watt
Standby	< 0,5 Watts
BTU	810 BTU / h
Abmessungen	
Breite x Höhe x Tiefe	431 x 144 x 443 mm 17" x 5 ² / ₃ " x 17 ¹ / ₂ "
Höhe des Frontpanels	3 U / 132.6 mm / 5 ² / ₉ "
Nettogewicht	14.9 kg, 32.8 lbs

Diese Bedienungsanleitung entspricht dem technischen Stand bei Drucklegung.
Änderungen in Technik und Ausstattung vorbehalten.

Rotel und das Rotel-Logo sind eingetragene Markenzeichen von The Rotel Co., Ltd.
Tokio, Japan.

Instrucciones de Seguridad Importantes

ADVERTENCIA: No hay componentes manipulables por el usuario en el interior del aparato. Cualquier operación de mantenimiento debe ser llevada a cabo por personal cualificado.

ADVERTENCIA: Para reducir el riesgo de que se produzca un incendio o una descarga eléctrica, asegúrese de que el aparato no esté expuesto a goteos ni salpicaduras y que no se coloquen objetos que contengan líquidos —copas, vasos— encima del mismo. No permita que ningún objeto extraño penetre en el interior del aparato. Si el aparato está expuesto a la humedad o algún objeto extraño penetra en su interior, desconecte inmediatamente el cable de alimentación de la red eléctrica. En caso de que fuera necesario, envíe el aparato a un especialista cualificado para su inspección y posterior reparación.

Lea todas las instrucciones del presente manual.

Conserve este manual.

Tenga siempre en mente las advertencias.

Siga al pie de letra todas las instrucciones relacionadas con el funcionamiento del mismo.

No utilice este aparato cerca del agua.

Limpie el exterior del aparato únicamente con una gamuza seca o un aspirador.

No coloque nunca el aparato sobre una cama, un sofá, una alfombra o una superficie similar susceptible de bloquear las ranuras de ventilación. Si el aparato está ubicado en la estantería de una librería o un mueble, debe haber suficiente espacio a su alrededor y ventilación en el mueble para permitir una refrigeración adecuada.

Mantenga el aparato alejado de radiadores, estufas, cocinas o de cualquier otra instalación que produzca calor.

Una clavija polarizada incluye dos patillas, una de ellas más ancha que la otra. Una clavija con toma de tierra incluye dos patillas más una tercera para la conexión de masa. Esta configuración está pensada para su seguridad. No intente desactivar los terminales destinados a la conexión a tierra o polarización.

Si la clavija suministrada no se adapta a su toma de corriente, le rogamos que consulte a un técnico especializado para que sustituya la toma obsoleta por una de última generación.

No coloque el cable de alimentación en lugares en que pueda ser aplastado, perforado, doblado en ángulos críticos, expuesto al calor o dañado de algún modo. Preste particular atención al punto de unión entre el cable y la toma de corriente y también a la ubicación de esta última en el panel posterior del aparato.

Utilice únicamente accesorios especificados por el fabricante.

Utilice el aparato únicamente con una carretilla, un soporte, un mueble o un sistema de estantes recomendado por Rotel. Tenga cuidado cuando mueva el aparato junto con el mueble o pie que lo soporte ya que en caso de caída podría lastimarlo.



El cable de alimentación debería desconectarse de la red eléctrica durante tormentas con fuerte aparato eléctrico o cuando el aparato no vaya a ser utilizado durante un largo período de tiempo.

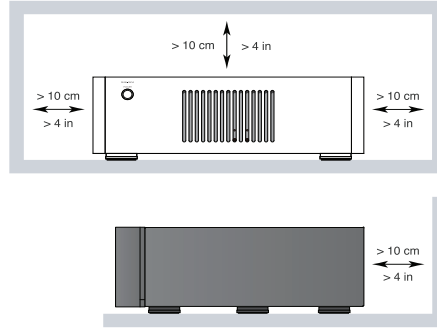
Deje de utilizar el aparato inmediatamente y envíe a un servicio técnico cualificado para su inspección/ reparación si: el cable de alimentación o alguna clavija del mismo ha sido dañado; han caído objetos o se ha derramado líquido en el interior del aparato; el aparato ha sido expuesto a la lluvia; el aparato muestra signos de funcionamiento inadecuado; el aparato ha sido golpeado o dañado de algún modo.

El aparato se debe utilizar en el clima no tropical.

La ventilación no debe impedirse cubriendo las aberturas de ventilación con elementos, como periódicos, manteles, cortinas, etc.

No se deben colocar sobre el aparato fuentes de llamas descubiertas, como velas encendidas.

Debe dejar un mínimo de 10 centímetros de espacio libre



alrededor del aparato.

ADVERTENCIA: El conector del cable de alimentación del panel posterior hace las veces de dispositivo de desconexión de la red eléctrica. El aparato debe ubicarse en un área que permita acceder fácilmente a dicho conector.

El aparato debe ser conectado únicamente a una fuente de alimentación del tipo y la tensión especificados en su panel posterior (120 V/60 Hz para EE.UU. y 230/50 Hz para los países de la Comunidad Europea).

Conecte el aparato a la toma de corriente eléctrica únicamente a través del cable de alimentación suministrado de serie o un equivalente exacto del mismo. No modifique de ningún modo dicho cable. No utilice cables de extensión.

La clavija principal del cable de alimentación permite desconectar por completo el aparato. En consecuencia, para desconectar completamente el aparato de la red eléctrica la clavija principal del cable de alimentación debería ser retirada de la toma de corriente alterna (CA) correspondiente y el aparato. Esta es la única manera de eliminar por completo la red eléctrica de la aparato.

Para las conexiones a cajas acústicas, utilice cables de Clase 2 con el fin de asegurar una instalación adecuada y minimizar el riesgo de que se produzca una descarga eléctrica.



APPLICABLE FOR USA, CANADA OR WHERE APPROVED FOR THE USAGE

CAUTION: TO PREVENT ELECTRIC SHOCK, MATCH WIDE BLADE OF PLUG TO WIDE SLOT. INSERT FULLY.

ATTENTION: POUR ÉVITER LES CHOCs ÉLECTRIQUES, INTRODUIRE LA LAME LA PLUS LARGE DE LA FICHE DANS LA BORNE CORRESPONDANTE DE LA PRISE ET POUSSER JUSQU'AU FOND.



Este símbolo sirve para alertar al usuario sobre la presencia de tensiones peligrosas no aisladas en el interior del aparato susceptibles de constituir un riesgo de electrocución.



Este símbolo sirve para alertar al usuario sobre la presencia de instrucciones importantes relacionadas con el funcionamiento y el mantenimiento (servicio técnico) tanto en este manual como en la literatura que acompaña al producto.



Los productos Rotel están diseñados para satisfacer la normativa internacional en materia Restricción del Uso de Sustancias Peligrosas (RoHS) en equipos eléctricos y electrónicos y la eliminación de Residuos Procedentes de Equipos Eléctricos y Electrónicos (WEEE). El símbolo del carrito de la basura tachado indica la plena satisfacción de las citadas normativas y que los productos que lo incorporan deben ser reciclados o procesados debidamente en concordancia con las mismas.



Este símbolo significa que el aparato está debidamente aislado, por lo que no requiere ninguna conexión a tierra.



Contenido

Figura 1: Controles y Conexiones	3
Figura 2: Entradas Analógicas y Conexiones de Salida a las Cajas Acústicas	4
Notas Importantes	5
Instrucciones de Seguridad Importantes	22
Acerca de Rotel	23
Para Empezar	23
Funciones y Prestaciones Relevantes	23
Algunas Precauciones	24
Colocación	24
Alimentación y Control	24
Toma de Corriente Eléctrica ^[1]	24
Conmutador e Indicador Luminoso de Puesta en Marcha ^[1]	24
Selector del Modo de Arranque/Desconexión Automática ^[7]	24
Entrada para Señal de Disparo de +12 V ^[6]	25
Salida para Señal de Disparo de +12 V ^[6]	25
Interruptor ^[6]	25
Circuitería de Protección ^[2]	25
Conexión de la Señal de Entrada	25
Entradas RCA ^[4]	25
Conmutador de Funcionamiento en Mono ^[4]	25
Enlace de las Entradas ^[4]	25
Controles de Nivel del Panel Frontal ^[3]	26
Conectores de Salida para Enlace ("Signal Output Link") ^[7]	26
Conexión de las Cajas Acústicas	26
Selección de las Cajas Acústicas	26
Selección del Cable de Conexión de las Cajas Acústicas	26
Polaridad y Puesta en Fase	26
Conexión de las Cajas Acústicas ^[6] ^[9]	26
Problemas y Posibles Soluciones	27
El Indicador Luminoso del Panel Frontal No Se Activa	27
No Hay Sonido	27
El Indicador de Protección está Activado	27
Características Técnicas	27

Acerca de Rotel

Nuestra historia empezó hace más de 50 años. A lo largo de todas estas décadas, hemos recibido cientos de premios por nuestros productos y satisfecho a centenares de miles de clientes que se toman muy en serio, al igual que usted, sus momentos de ocio.

Rotel fue fundada por una familia cuyo entusiasta interés por la música le condujo a diseñar y construir componentes de Alta Fidelidad sin ningún tipo de compromiso. Esta pasión ha permanecido inalterada durante todo este tiempo, hasta el punto de que el objetivo de los fundadores de la compañía -proporcionar productos de la máxima calidad a melómanos y audiófilos independientemente de cuáles sean sus posibilidades económicas- es compartido por todos sus empleados.

Los ingenieros de Rotel trabajan como un equipo compacto, escuchando y llevando a cabo el ajuste fino de cada nuevo producto hasta que satisface de manera exacta los estándares de calidad musical para los que fue diseñado. Para lograrlo, disponen de la máxima libertad para escoger los mejores componentes allí donde se encuentren. Le sorprenderá agradablemente encontrar exquisitos condensadores procedentes del Reino Unido y Alemania o semiconductores de Japón o Estados Unidos, mientras que los transformadores toroidales de potencia son construidos en la propia factoría de Rotel.

Todos nosotros nos preocupamos por nuestro entorno. Y a medida que se producen y posteriormente desechan más y más aparatos electrónicos, para un fabricante resulta especialmente importante hacer todo lo que le sea posible para poner a punto productos que tengan un impacto mínimo en el medio ambiente.

En Rotel estamos orgullosos de contribuir con nuestra parte. Hemos reducido el contenido en plomo de nuestros componentes electrónicos utilizando una soldadura RoHS especial. Nuestros ingenieros se esfuerzan continuamente para mejorar la eficiencia de las fuentes de alimentación sin comprometer la calidad sonora. Mientas están en el modo de espera ("standby"), los productos Rotel utilizan una cantidad de energía mínima con el fin de satisfacer las normativas globales en materia de Consumo de Energía en Standby.

La fábrica de Rotel también está cumpliendo con su parte para preservar el medio ambiente mediante la introducción de constantes mejoras en los métodos de montaje de sus productos para que los procesos de fabricación sean más limpios y ecológicos.

Le agradecemos que haya adquirido este producto. Estamos seguros de que le proporcionará largos años de disfrute en la escucha de sus grabaciones musicales favoritas.

Para Empezar

Gracias por haber adquirido la Etapa de Potencia de Cuatro Canales Rotel RMB-1504. Utilizada en un sistema de reproducción musical o audiovisual de alta calidad, le permitirá disfrutar durante muchos años de sus composiciones musicales y sus películas favoritas.

La RMB-1504 es una etapa de potencia de cuatro canales altamente sofisticada. El uso de dispositivos de salida discretos, una generosa fuente de alimentación equipada con un transformador toroidal, componentes electrónicos de primera calidad y el exclusivo Diseño Equilibrado de Rotel aseguran una soberbia calidad sonora. Una elevada capacidad de entrega de corriente hace posible que la RMB-1504 pueda atacar con extrema facilidad las cajas acústicas más difíciles del mercado en las más variadas condiciones de trabajo.

Funciones y Prestaciones Relevantes

- Etapa de potencia de cuatro canales con una salida de 70 vatios continuos por canal sobre 8 ohmios.
- Controles en el panel frontal para ajustar el nivel de entrada.
- Configuración de arranque/desactivación seleccionable por el usuario: manual, por detección automática de señal o controlada por una señal de disparo remota de 12 V continuos.
- Circuitería de protección contra errores de funcionamiento con indicadores luminosos en el panel frontal.
- Enlace interno de señales de entrada, conmutador de funcionamiento en mono y conectores de salida para enlace con el fin de maximizar la flexibilidad de configuración.

Algunas Precauciones

ADVERTENCIA: Para evitar que se produzcan posibles daños en su equipo, le aconsejamos que desconecte TODOS los componentes del mismo cuando conecte o desconecte las cajas acústicas o cualquiera de los componentes asociados. No vuelva a conectar los componentes del equipo hasta que esté seguro de que las conexiones sean correctas y seguras. Preste una atención particular a los cables de conexión a cajas. No debe haber ningún conductor suelto de los mismos susceptible de contactar con los otros cables de conexión a cajas o con el chasis del amplificador.

Le rogamos que lea cuidadosamente el presente manual de instrucciones. Además de las instrucciones básicas de instalación y puesta a punto de la RMB-1504 incluye información de gran valor sobre las diferentes configuraciones posibles, así como información general que le ayudará a optimizar las prestaciones de su sistema. Le rogamos asimismo que contacte con su distribuidor autorizado de productos Rotel para cualquier duda o consulta. No le quepa la menor duda de que todos sus comentarios y observaciones serán bien recibidos.

Guarde el embalaje del aparato y todo el material en él contenido para un posible uso futuro del mismo. El embalaje o transporte del aparato en condiciones diferentes de las originales puede dañar seriamente partes vitales del mismo.

Si se incluye en la casilla, complete la tarjeta de registro del propietario o regístrese en línea. Asegúrese asimismo de mantener en su poder la factura de compra puesto que la misma constituye el mejor recordatorio de la fecha de compra, un dato esencial en caso de que necesitara asistencia técnica durante el período de garantía.

Colocación

La RMB-1504 genera calor como una parte de su funcionamiento normal. Tanto los disipadores térmicos como las ranuras de ventilación del aparato están perfectamente capacitados para eliminar este calor. Las ranuras de ventilación situadas en la cubierta superior deben permanecer siempre despejadas. Debería dejar unos 10 centímetros de espacio libre alrededor del chasis y permitir una circulación de aire razonable para evitar que el aparato se caliente en exceso.

Tenga igualmente en cuenta el peso del amplificador cuando seleccione una ubicación determinada para su instalación. Por lo tanto, asegúrese de que la estantería o mueble utilizado pueda soportarlo sin mayores problemas. Le recomendamos que instale el aparato en muebles diseñados específicamente para albergar componentes de audio. Dichos muebles están concebidos para reducir o suprimir vibraciones que pueden afectar negativamente a la calidad del sonido. Contacte con su distribuidor autorizado de productos Rotel para que le aconseje sobre los muebles más adecuados para su equipo y la correcta instalación de componentes de audio en los mismos.

Alimentación y Control

Toma de Corriente Eléctrica ^[1]

Su amplificador está configurado en fábrica para que trabaje con la tensión de red correcta correspondiente al país en el que haya sido comprado (115 voltios de corriente alterna/60 Hz para Estados Unidos y 230 voltios de corriente alterna/50 Hz para la Comunidad Europea). Dicha configuración está indicada en un lugar visible del panel posterior del aparato.

NOTA: En caso de que tuviese que trasladar su amplificador a otro país, es posible reconfigurarlo para que pueda trabajar con una tensión de red diferente de la establecida en fábrica. No intente llevar a cabo esta conversión por su cuenta. El acceso al interior del amplificador le expondrá a tensiones peligrosas. Para cualquier información al respecto, le rogamos que contacte con personal cualificado o llame al departamento de asistencia técnica postventa de Rotel.

NOTA: Algunos productos están destinados a ser vendidos en más de un país, y en consecuencia se suministran de serie con más de un cable de alimentación. Le rogamos que utilice únicamente el cable de alimentación correspondiente a su país/región.

Como consecuencia de su elevada potencia, el amplificador puede drenar una cantidad de corriente considerable. Además, debería ser conectado directamente a una toma de corriente alterna. Tanto la RMB-1504 debe ser conectada a una toma de corriente eléctrica polarizada de 3 clavijas. No utilice cables de extensión. Puede utilizarse una regleta siempre y cuando la misma (y la toma de corriente eléctrica) sea capaz de manejar la corriente solicitada por el amplificador y los demás componentes conectados en la misma.

Asegúrese de que el CONMUTADOR DE PUESTA EN MARCHA ^[1] del panel frontal del amplificador esté situado en su posición OFF (es decir "hacia fuera"). A continuación, conecte el cable de alimentación suministrado de serie en el Conector Power ^[11] del panel posterior del aparato y la toma de corriente eléctrica alterna.

Si va a estar fuera de su casa durante un largo período de tiempo -por ejemplo las vacaciones de verano-, le recomendamos, como precaución básica, que desconecte su amplificador (así como el resto de componentes de audio y vídeo de su equipo) de la red eléctrica.

Conmutador e Indicador Luminoso de Puesta en Marcha ^[1]

El Conmutador de Puesta en Marcha está ubicado en el panel frontal del amplificador. Púlselo para poner en marcha la RMB-1504. El anillo situado encima del mismo se iluminará, indicando que el amplificador está plenamente operativo. Para desactivar el aparato, basta con que pulse de nuevo el mencionado botón a fin de que éste regrese a su posición inicial.

NOTA: En el caso de que el brillo de la luz azul del anillo que rodea el conmutador de puesta en marcha le resulte excesivo, coloque el anillo autoadhesivo suministrado de serie para ello.

Selector del Modo de Arranque/Desconexión Automática ^[7]

La RMB-1504 incorpora tres opciones diferentes para su puesta en marcha/desconexión manual o automática. Estos modos pueden seleccionarse con ayuda de un pequeño interruptor deslizante de tres posiciones situado en el panel posterior del aparato.

- Cuando el conmutador está en la posición "OFF", el amplificador se activa o desactiva manualmente con el interruptor de puesta en marcha del panel frontal. Opte también por esta modalidad de funcionamiento si va a utilizar una toma de corriente eléctrica conmutada para alimentar la RMB-1504.
- Cuando el conmutador está situado en la posición "SIGNAL SENSE" (DETECCION DE SEÑAL), el amplificador se activa automáticamente cuando se detecta la presencia de señal en una cualquiera de sus entradas. Si durante unos minutos no se aplica ninguna señal de audio a las entradas de la RMB-1504, el aparato volverá a la posición de espera. El

conmutador de puesta en marcha del panel frontal ignora esta función. Dicho conmutador deberá estar en la posición ON para que el sensor de señal actúe. Si sitúa el conmutador en cuestión OFF, se interrumpirá el suministro de energía al amplificador independientemente de que haya o no una señal en sus entradas.

- **Con el conmutador situado en la posición 12V TRIG**, el amplificador se pondrá en marcha automáticamente en cuanto detecte una señal de disparo de 12 voltios continuos en la toma 12V TRIG situada justo a la izquierda del mencionado conmutador. Si no se detecta ninguna señal de +12 voltios continuos, el amplificador se situará en la posición de espera. El CONMUTADOR DE PUESTA EN MARCHA del panel frontal ignora esta función, debiendo estar situado en ON para que el circuito de disparo de +12 voltios funcione correctamente. Si el conmutador en cuestión se sitúa en OFF, se interrumpirá el suministro de energía al amplificador independientemente de que esté presente o no una señal de disparo.

Entrada para Señal de Disparo de +12 V

Se trata de una toma de entrada diseñada para conectar cables que transporten una señal de disparo de +12 voltios continuos procedente de un preamplificador o procesador de sonido envolvente Rotel capaz de activar o desactivar su etapa de potencia. Para utilizar esta función, el conmutador deslizante adyacente deber ser colocado en la posición izquierda (ver sección anterior).

La TRIGGER INPUT acepta cualquier señal de control (continua o alterna) cuyo valor esté comprendido entre 3 y 30 voltios. Utilice un cable terminado en miniclavijas monofónicas de 3'5 mm en sus dos extremos. La señal de +12 voltios continuos aparecerá en la "punta" del conector.

Salida para Señal de Disparo de +12 V

La toma para señal de disparo de 12 voltios continuos (12V TRIG) designada por OUT se utiliza para enviar la señal de activación a distancia a un segundo amplificador Rotel. A través de la toma OUT se enviará cualquier señal de disparo de 12 voltios continuos presente en la toma INPUT.

Interruptor

Un interruptor situado en el panel posterior protege la circuitería eléctrica del amplificador. Por regla general, dicho interruptor sólo se abrirá cuando se produzca una condición de fallo derivada de una demanda de corriente excesiva. Para reinicializar el interruptor, pulse el botón correspondiente. En caso de que el interruptor se abra repetidamente, contacte con su distribuidor autorizado de productos Rotel para que le proporcione la asistencia adecuada.

Circuitería de Protección

La RMB-1504 incorpora circuitos de protección frente a excesos de temperatura y de corriente que la protegen frente a cualquier daño potencial que pudiera producirse en caso de funcionamiento en condiciones extremas o fallos en la misma. Al contrario de lo que sucede en muchos diseños de su clase, estos circuitos de protección son independientes de la señal de audio y por tanto no tiene el más mínimo impacto en las prestaciones musicales. De este modo, los circuitos de protección monitorizan la temperatura de los dispositivos de salida y a corriente que los mismos están manejando, desconectando el amplificador si las condiciones de funcionamiento exceden los límites de seguridad prefijados.

Por regla general, usted nunca verá esta circuitería de protección en acción. No obstante, en el caso de que se produjese una condición de fallo el amplificador dejaría de funcionar y el Indicador Luminoso Power del panel frontal sera luz.

Si esto sucede, apague el amplificador, déjelo enfriar durante varios minutos e intente identificar y corregir el problema causante de la activación de la circuitería de protección. Cuando ponga en marcha de nuevo el amplificador, el circuito de protección se reinicializará automáticamente y los INDICADORES LUMINOSOS DE PROTECCION deberían apagarse para indicar que el aparato vuelve a funcionar con normalidad.

En la mayoría de casos, la circuitería de protección se activa debido a la presencia de una condición de funcionamiento incorrecto, como por ejemplo cables de conexión a cajas acústicas cortocircuitados o una ventilación inadecuada que provoque el sobrecalentamiento del aparato. Sólo en casos muy raros una impedancia de las cajas acústicas altamente reactiva o extremadamente baja podría provocar la activación de la circuitería de protección.

Si la circuitería de protección se activa repetidamente y usted se ve incapaz de aislar y corregir la condición de fallo, contacte con su detallista Rotel autorizado para que le ayude a resolver el problema.

Conexión de la Señal de Entrada

La RMB-1504 incorporan conectores de entrada estándar no balanceados (con terminales RCA, que son los habituales en la inmensa mayoría de componentes de audio).

Además, hay una pareja de tomas SIGNAL OUTPUT LINK ("SALIDAS PARA ENLACE") cuyo cometido es enviar la señal de entrada presente en el par de terminales "A" a otro componente de audio. Adicionalmente, la señal de entrada presente en el citado par de canales "A" puede ser automáticamente enlazada a las entradas correspondientes a los pares de canales "B"; esto quiere decir que no se necesitará un cable de señal separado para dichos canales (por ejemplo en sistemas de gran envergadura en los que la RMB-1504 se utilice para excitar varias parejas de cajas acústicas).

NOTA: Para evitar la presencia de ruidos potencialmente nocivos, asegúrese de que el sistema esté completamente desconectado cuando usted esté realizando cualquier tipo de conexión de señal.

Entradas RCA

Ver Figura 2

Hay una entradas RCA para cada uno d ellos dos pares de canales de amplificación. Estas entradas equipadas con conectores RCA aceptan señales de audio procedentes de preamplificadores o procesadores de sonido envolvente. Para lograr los mejores resultados posibles, utilice cables de interconexión de audio de alta calidad.

Para cada par de canales de amplificación, conecte la salida correspondiente al canal izquierdo de su preamplificador a la ENTRADA IZQUIERDA ("LEFT INPUT") de la RMB-1504. Repita el mismo proceso para el canal derecho. Asegúrese de que el conmutador INPUT SELECT esté situado en la posición STEREO.

Conmutador de Funcionamiento en Mono

Cuando el conmutador MONO está en la posición ON, la entrada "A" correspondiente al canal izquierdo se conecta al canal derecho.

Enlace de las Entradas

Si lo desea, usted puede enlazar las entradas correspondientes a los grupos de canales "B" a las entradas "A" colocando el conmutador INPUT SELECT correspondiente al grupo seleccionado en la posición LINK ("ENLACE").

Una vez enlazado, dicho grupo de entradas no necesitará que se le conecte ninguna señal. La señal de entrada correspondiente al grupo "A" es enviada al par de canales enlazados, permitiéndole destinar cuatro canales de amplificación a la misma señal estereofónica.

Controles de Nivel del Panel Frontal

Dos controles – uno para cada par de canales - situados en el panel frontal hacen que sea posible controlar el nivel de la señal entrante. Dichos controles permiten al usuario ajustar la ganancia del amplificador para igualar el nivel de volumen de otros componentes del equipo. El control de nivel A cambia la ganancia del par de canales "A" mientras que el control de nivel B hace lo propio con el par de canales "B".

Para ajustar estos controles, utilice un pequeño destornillador de cabeza plana. Gire el control en sentido horario para aumentar la ganancia y en sentido antihorario para reducirla.

Conectores de Salida para Enlace ("Signal Output Link")

Estos dos conectores RCA pueden utilizarse para enviar señales de entrada sin procesar a otro componente de audio, lo que resulta útil para, por ejemplo, "encadenar" un amplificador adicional para excitar una segunda pareja de cajas acústicas. En estas salidas LINK también estarán presentes las señales de entrada correspondientes al par de canales "A".

NOTA: Las señales de entrada correspondientes al par de canales "A" también pueden ser enlazadas a las entradas "B" situando el conmutador INPUT SELECT asociados a estos dos últimos pares de canales en la posición LINK.

Conexión de las Cajas Acústicas

La RMB-1504 incorpora dos grupos –uno para cada par de canales de terminales de conexión a cajas acústicas.

Selección de las Cajas Acústicas

Le recomendamos que con la RMB-1504 utilice cajas acústicas cuya impedancia nominal sea igual o superior a 4 ohmios. Cuando trabaje con varias parejas de cajas acústicas conectadas en paralelo debería ser particularmente precavido porque la impedancia efectiva que "ve" el amplificador se divide entre dos. Por ejemplo, cuando se atacan dos parejas de cajas acústicas de 8 ohmios el amplificador "ve" una carga de 4 ohmios. Cuando se atacan varias cajas acústicas conectadas en paralelo, se recomienda que se seleccionen diseños cuya impedancia nominal sea de 8 ohmios o superior. Las cifras correspondientes a la impedancia de las cajas acústicas son más que imprecisas. En la práctica, sólo muy pocos modelos presentarán problemas a la RMB-1504. En caso de que tenga alguna duda al respecto, le recomendamos que contacte con su detallista Rotel autorizado.

Selección del Cable de Conexión de las Cajas Acústicas

Utilice un cable de dos conductores perfectamente aislado para conectar el amplificador a las cajas acústicas. El tamaño y la calidad de dicho cable pueden tener un efecto audible sobre las prestaciones de la totalidad de su equipo. Un cable de conexión de calidad estándar funcionará pero es posible que provoque una disminución de la potencia de salida o una atenuación de la respuesta en graves, en particular si la longitud del mismo es elevada. En general, un cable más consistente mejorará el sonido. Para conseguir unas prestaciones óptimas, debería considerar la compra de cables de alta calidad especialmente diseñados para aplicaciones de audio. Su

detallista Rotel autorizado estará encantado de ayudarle a seleccionar de los cables que vaya a utilizar en su sistema.

Polaridad y Puesta en Fase

La polaridad, es decir la orientación positiva/negativa de las conexiones correspondientes a cada caja acústica y a la unión con el amplificador, debe ser coherente, de modo que todas las cajas acústicas del sistema estén en fase. Si la polaridad de una conexión es invertida por error, se producirá una fuerte caída de la respuesta en graves, así como una degradación perceptible de la imagen estereofónica global. Todos los cables están marcados de manera que usted pueda identificar fácilmente los dos conductores. Puede haber marcas o líneas impresas en el revestimiento aislante de un conductor. El cable también puede presentar un claro aislamiento al incorporar conductores de distintos colores (cobre y plata). También puede haber indicaciones de polaridad impresas en el revestimiento aislante. Identifique los conductores positivos y negativos y sea coherente con cada una de las conexiones del amplificador y las cajas acústicas.

Conexión de las Cajas Acústicas

Ver Figura 2

NOTA: El texto que figura a continuación describe la conexión de las cajas acústicas tanto a través de terminales estándar como de clavija. NO utilice ambos sistemas de conexión combinados para conectar múltiples cajas acústicas.

Antes de conectar las cajas acústicas, desconecte todos los componentes del equipo. La RMB-1504 incluye dos terminales de conexión codificados en color para cada canal de amplificación. Estos terminales de conexión aceptan cable pelado, clavijas planas o incluso conectores de tipo banana dobles (excepto en los países de la Comunidad Europea, donde su empleo no está permitido).

Lleve los cables desde el amplificador hasta las cajas acústicas, procurando que los mismos tengan la suficiente longitud para que pueda accederse sin ninguna restricción a los terminales de conexión de aquéllas.

Si usted está utilizando conectores de tipo banana, únalos primero a los cables y a continuación insértelos en la zona posterior de los terminales de conexión. En cualquier caso, las tuercas de fijación de los terminales de fijación deberían bloquearse girándolas en sentido horario.

Si está utilizando terminales de tipo clavija/cuchilla plana ("spade"), conéctelos en primer lugar a los cables. Si está colocando directamente cable pelado en los terminales de conexión, separe los cables correspondientes a cada conductor y quite la parte superior del revestimiento aislante. Asegúrese asimismo de no cortar ninguno de los conductores propiamente dichos. Libere (girándolas en sentido contrario de las agujas del reloj) las tuercas de fijación y a continuación coloque las clavijas alrededor de los terminales de conexión o el cable pelado en el orificio transversal que hay en los mismos. Gire en sentido horario las tuercas de fijación para sujetar firmemente en su lugar la clavija o el cable de conexión.

NOTA: Asegúrese de que no haya conductores sueltos susceptibles de tocar los cables o conectores adyacentes.

Para cada grupo de canales, conecte la caja acústica izquierda a la pareja de conectores a cajas designados por LEFT. Conecte la caja acústica derecha a la pareja de conectores a cajas designados por RIGHT. Siga las indicaciones impresas en las etiquetas situadas encima de los conectores.

Asegúrese de que el terminal positivo de la caja acústica esté conectado al terminal positivo (+) del amplificador. Asegúrese de que el terminal negativo de la caja acústica esté conectado al terminal negativo (-) del amplificador.

Problemas y Posibles Soluciones

La mayoría de dificultades que suelen producirse en los sistemas de audio son el resultado de conexiones realizadas incorrectamente o ajustes inapropiados. En caso de que se encuentre con algún problema, aísle en primer lugar el área afectada, compruebe los ajustes de control realizados, determine la causa del fallo y haga los cambios necesarios. Si se ve incapaz de hacer funcionar de nuevo la RMB-1504, considere las sugerencias que le damos para las condiciones que se detallan a continuación.

El Indicador Luminoso del Panel Frontal No Se Activa

No entra corriente eléctrica en el amplificador. Compruebe el conmutador de puesta en marcha del panel frontal. Asegúrese de que esté situado en la posición ON. Compruebe la conexión de alimentación del amplificador y la toma de corriente eléctrica alterna.

No Hay Sonido

Si el amplificador recibe señal eléctrica pero no produce sonido, compruebe el estado del Indicador Luminoso de Protección del panel frontal. Si está activado, lea las líneas que siguen. En caso contrario, compruebe todas las conexiones de su equipo y los ajustes correspondientes a cada uno de los componentes del mismo.

El Indicador de Protección está Activado

El Indicador Luminoso del Panel Frontal parpadea cuando los circuitos de protección del amplificador han interrumpido el funcionamiento normal del aparato. Por regla general, esto sólo suele ocurrir cuando las ranuras de ventilación están bloqueadas, cuando hay una conexión incorrecta de las cajas acústicas o después de un período de utilización en condiciones extremas. Desconecte su equipo y espere que el amplificador se enfríe. A continuación pulse repetidamente el conmutador de puesta en marcha para reinicializar los dispositivos de protección. Si la anomalía no es corregida y vuelve a hacer acto de presencia, significa que hay un problema en su equipo o en el propio amplificador.

Características Técnicas

Potencia Continua de Salida sobre 8 ohmios (20 - 20000 Hz, THD < 0'03%)	4 x 70 vatios, todos los canales excitados
Distorsión Armónica Total (THD) (20 - 20000 Hz, 8 ohms)	
a la potencia nominal:	< 0'03%
a la mitad de la potencia nominal:	< 0'03%
a 1 vatios:	< 0'03%
Distorsión por Intermodulación (60Hz : 7kHz, 4:1)	< 0'03%
Factor de Amortiguamiento (20 - 20000 Hz, 8 ohms)	>200
Impedancia /Sensibilidad de Entrada	20 kohmios/1 voltio
Ganancia del Amplificador	26 dB
Nivel de Sobrecarga de Entrada	5 voltios
Respuesta en Frecuencia (± 1 dB)	10 - 100000 Hz
Relación Señal/Ruido (norma IHF/ponderación A)	115 dB
Diafonía/Separación entre Canales	> 50 dB
Impedancia de las Cajas Acústicas	mínima de 4 ohmios
Umbral de Arranque Automático (con todas las entradas)	4 mV input signal
Alimentación	
Versión para Europa	230 V/50 Hz
Versión para EE.UU.	120 V/60 Hz
Consumo	300 vatios
Consumo en Standby	
Detección de Señal	1 vatio
Standby	< 0'5 vatios
BTU	810 BTU / h
Dimensiones	
(An x Al x P)	431 x 144 x 443 mm
Altura del Panel Frontal (para montaje en rack)	132'6 mm (3U)
Peso Neto	14'9 kg

Todas estas especificaciones son correctas en el momento de la impresión del presente manual de instrucciones.

Rotel se reserva el derecho a realizar modificaciones en las mismas sin aviso previo.

Rotel y el logotipo Rotel HiFi son marcas registradas de The Rotel Co. Ltd., Tokio, Japón.

Belangrijke veiligheidsaanwijzingen

WAARSCHUWING: Er bevinden zich geen onderdelen in het apparaat waaraan de gebruiker onderhoud kan of moet uitvoeren. Laat onderhoud altijd door professionele onderhoudsmonteurs uitvoeren.

WAARSCHUWING: Om het risico op brand of elektrische schokken te verminderen, dient u te voorkomen dat het apparaat wordt blootgesteld aan water en vocht. Stel het apparaat niet bloot aan waterdruppels of spatwater. Plaats geen voorwerpen met een vloeistof erin, zoals een vaas, op het apparaat. Voorkom dat vreemde voorwerpen in de behuizing terechtkomen. Mocht het apparaat aan vocht worden blootgesteld of mocht er een vreemd voorwerp in de behuizing terechtkomen, trek de netstekker dan onmiddellijk uit het stopcontact. Breng het apparaat voor controle en eventuele reparaties naar een erkend onderhoudsmonteur.

Lees alle aanwijzingen.

Bewaar deze handleiding.

Neem alle waarschuwingen.

Volg alle gebruiksaanwijzingen op.

Gebruik dit apparaat niet in de buurt van water.

Reinig de behuizing van het apparaat alleen met een droge doek of met een stofzuiger.

Plaats het apparaat niet op een bed, bank, tapijt of een vergelijkbaar oppervlak waardoor de ventilatieopeningen afgesloten kunnen worden. Als het apparaat in een kast of boekenrek wordt geplaatst, moet het meubelstuk voldoende ventilatieruimte bieden om het apparaat goed te kunnen laten koelen.

Houd het apparaat uit de buurt van radiatoren, warmeluchtroosters, kachels of andere apparaten die warmte produceren.

Een gepolariseerde stekker heeft twee pennen, de ene breder dan de andere. Een geaarde stekker heeft twee pennen plus randaardecontacten.

De stekker heeft deze voorzieningen voor uw veiligheid. Verwijder ze niet. Als de stekker van de bijgeleverde kabel niet in uw stopcontact past, raadpleeg dan een electricien.

Leg de voedingskabel zodanig dat deze niet bekneld raakt, verbogen wordt, knikt, aan warmte wordt blootgesteld of op enige andere wijze beschadigd raakt. Let hierbij met name op het stekkergedeelte en het gedeelte van de kabel dat achter uit het apparaat komt.

Gebruik alleen door de fabrikant voorgeschreven accessoires.

Gebruik het apparaat alleen in combinatie met een door Rotel aanbevolen (verrijdbare) standaard, rek, steun of schappensysteem. Let goed op als u het apparaat in een standaard of rek verplaatst: zorg ervoor dat de standaard of het rek niet omvalt, waardoor u of iemand anders letsel zou kunnen oplopen.



Neem de stekker uit het stopcontact bij onweer of als het apparaat langdurig niet gebruikt zal worden.

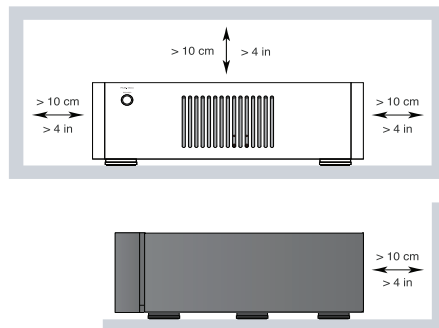
Stak het gebruik van het apparaat onmiddellijk en laat het door erkende onderhoudsmonteurs controleren en/of repareren als: de voedingskabel of de stekker beschadigd is; er voorwerpen in het apparaat zijn gevallen of er vloeistof in is gemorst; het apparaat aan regen is blootgesteld; het apparaat niet naar behoren lijkt te werken; het apparaat is gevallen of beschadigd.

De inrichting moet worden gebruikt in niet-tropische klimaat.

De ventilatie moet niet worden belemmerd door de ventilatieopeningen af te dekken met items zoals kranten, tafelkleden, gordijnen, enz.

Plaats geen bronnen met naakte vlammen, zoals brandende kaarsen, op het apparaat.

Laat ten minste 10 cm ruimte vrij rond het apparaat.



WAARSCHUWING: Met de aansluiting voor de voedingskabel op het achterpaneel kunt u de stroomtoevoer verbreken. Het apparaat moet zich in een open ruimte bevinden waar deze aansluiting goed te bereiken is.

Sluit het apparaat aan op een stroomtoevoer die overeenkomt met de op het achterpaneel aangegeven type- en spanningaanduiding. (VS: 120 V/60 Hz, EU: 230 V/50 Hz)

Sluit het apparaat alleen met de bijgeleverde voedingskabel of een exact equivalent daarvan aan op het lichtnet. Verander niets aan de meegeleverde kabel. Hij kan het stopcontact voor u vervangen. Gebruik geen verlengsnoer.

Met de stekker van de voedingskabel kunt u de stroomtoevoer naar het apparaat verbreken. Door de stekker uit het stopcontact te trekken, verbreekt u de aansluiting op het stroomnet volledig. Dit is de enige manier om de stroomvoorziening volledig te verwijderen uit het apparaat.

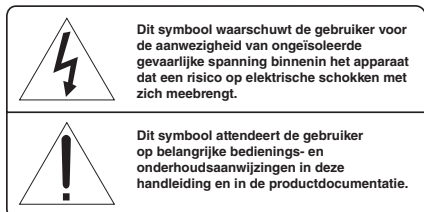
Sluit de luidsprekers aan met kabels volgens klasse 2: dit maakt een goede aansluiting mogelijk met minimaal risico van elektrische schokken.



GELDT VOOR VS, CANADA OF WAAR GOEDGEKEURD VOOR GEBRUIK

WAARSCHUWING: OM ELEKTRISCHE SCHOKKEN TE VOORKOMEN DIEN T U HET BREDE UITEINDE VAN DE PLUG MET DE BREDE SLEUF TE COMBINEREN. VOLLEDIG INSTEKEN.

ATTENTION: POUR ÉVITER LES CHOCs ÉLECTRIQUES, INTRODUIRE LA LAME LA PLUS LARGE DE LA FICHE DANS LA BORNE CORRESPONDANTE DE LA PRISE ET POUSSER JUSQU'AU FOND.



Producten van Rotel voldoen aan de BGS-richtlijn inzake beperking van het gebruik van bepaalde gevaarlijke stoffen in elektrische en elektronische apparatuur en aan de AEEA-richtlijn betreffende afgedankte elektrische en elektronische apparatuur. Het symbool van een vuilnisbak met een kruis erdoorheen geeft aan dat aan deze richtlijnen wordt voldaan en dat de producten op de juiste wijze gerecycled of verwerkt moeten worden conform deze richtlijnen.



Dit symbool wil zeggen dat het betreffende apparaat dubbel geaard is. Een separate aarding is dus overbodig.



Inhoud

Afbeelding 1: Bedieningselementen en aansluitingen	3
Afbeelding 2: Analoge ingangen en luidsprekeruitgangen	4
Héél belangrijk	5
Belangrijke veiligheidsaanwijzingen	28
Over Rotel	29
Aan de slag	29
Gebruikseigenschappen	29
Enkele voorzorgsmaatregelen	29
Plaatsing	30
Aansluiting op het stroomnet en bediening	30
AC-voedingsingang ^[1]	30
AAN/UIT-knop en AAN/UIT-indicator ^[1]	30
Automatische aan/uit keuzeschakelaar ^[7]	30
Triggeringang 12 volt ^[6]	30
Triggeruitgang 12 volt ^[6]	30
Circuitonderbreker ^[10]	31
Beveiligingscircuits ^[1]	31
Signaal aansluitingen	31
Cinch-ingangen ^[4]	31
Mono-schakelaar ^[4]	31
Het doorlussen van het ingangssignaal ^[4]	31
Ingangsniveauregelaars ^[3]	31
Doorlusverbinding van het ingangssignaal ^[5]	31
Luidspreker aansluitingen	31
Luidsprekerselectie	31
Luidsprekerkabelselectie	32
Polariteit en fase	32
Luidspreker aansluitingen ^[8] ^[9]	32
Problemen oplossen	32
De AAN/UIT-indicator brandt niet	32
Geen geluid	32
Beveiligingsindicator	32
Specificaties	33

Over Rotel

Ons verhaal is meer dan 50 jaar geleden begonnen. Door de jaren heen hebben we met onze producten honderden prijzen gewonnen en hebben honderdduizenden mensen van onze producten kunnen genieten. Mensen die net als u hoogwaardige apparatuur voor home-entertainment op waarde weten te schatten.

Rotel is opgericht door een familie met een passie voor muziek die hifi-apparatuur van de allerhoogste kwaliteit is gaan maken. Na al die jaren is die passie er nog steeds. Nog altijd is ons doel meerwaarde bieden aan muziekliefhebbers en hifi-kenners, ongeacht hun budget. Dit doel wordt gedeeld door alle medewerkers van Rotel.

De ontwikkelaars van Rotel werken als één team samen. Ze luisteren zorgvuldig naar elk nieuw product en blijven het bijschaven tot het aan hun hoge eisen voldoet. Ze kunnen componenten van overal ter wereld kiezen om het optimale product te maken, zoals condensatoren uit het Verenigd Koninkrijk en Duitsland, halfgeleiders uit Japan of de VS, terwijl de ringkerntransformatoren altijd in Rotels eigen fabrieken worden vervaardigd.

Het milieu gaat ons allemaal aan het hart. Omdat er steeds meer elektronica wordt geproduceerd, wordt het voor fabrikanten steeds belangrijker er

alles aan te doen producten zo te ontwerpen dat deze het milieu zo min mogelijk belasten.

Bij Rotel zijn we er trots op dat we hieraan ons steentje kunnen bijdragen. Om het loodgehalte in onze producten te verlagen, zijn we overgestapt op speciaal loodvrij soldeermiddel dat voldoet aan de BGS-richtlijn en op loodvrije componenten. Onze ontwikkelaars verhogen voortdurend de efficiency van onze voedingen, zonder concessies te doen aan kwaliteit. Als ze op stand-by staan, gebruiken producten van Rotel zeer weinig stroom en voldoen zo aan internationale eisen voor stand-by stroomverbruik.

Ook de Rotel-fabriek draagt een steentje bij aan het milieu door de assemblagemethoden steeds verder te verbeteren, om zo tot een schoner en groener productieproces te komen.

Namens Rotel willen wij u bedanken dat u dit product hebt aangeschaft. Wij weten zeker dat u er vele jaren plezier van zult hebben.

Aan de slag

U hebt de RMB-1504 vermogensversterker van Rotel aangeschaft. In combinatie met een hoogwaardig muziek- of home-theatre-systeem biedt deze versterker van Rotel jarenlang muziekplezier. De RMB-1504 is zeer krachtige versterker die audioprestaties van het hoogste niveau leveren. Discrete uitgangapparatuur, een krachtige voeding, hoogwaardige componenten en het uitgebalanceerde ontwerp van Rotel garanderen een uitstekende geluidskwaliteit. De high-current RMB-1504 kunnen de meest veeleisende luidsprekers aansturen.

De RMB-1504 is een hoogontwikkelde vierkanaals eindversterker, voor het verrichten van zeer hoge prestaties in een audioketen. Volkomen gescheiden uitgangstrappen, een zeer ruim bemeten energiehuishouding, eerste klas onderdelen en natuurlijk Rotel's "Balanced Design" concept staan borg voor een excellente geluidskwaliteit. Bovenstaande kenmerken maken de RMB-1504 tot de idea-le kompaan voor moeilijk aan te sturen luidsprekereenheden.

Gebruikseigenschappen

- Vier kanalen eindversterker, met een vermogen van 70 watts per kanaal aan 8 ohm.
- Niveau-instelling d.m.v. instelpotentiometers op de voorkant.
- Door gebruiker instelbare aan/uitschakelmogelijkheden: handmatig, automatisch bij signaalaanbod of d.m.v. een 12 volts "trigger" signaal.
- Beveiligd tegen extreem en verkeerd gebruik met aanduidingen op de voorkant.
- Om de versterker multi-inzetbaar te maken, hebben wij hem uitgerust met doorverbindbare ingangen, een mono-schakelaar en doorlusaansluitingen op de uitgangen.

Enkele voorzorgsmaatregelen

WAARSCHUWING: Om schade aan uw systeem te voorkomen, dient u ALLE componenten in het systeem uit te schakelen alvorens de luidsprekers of aanverwante componenten aan te sluiten of los te koppelen. Schakel de systeemcomponenten pas weer in als u zeker weet dat alles goed en stevig is aangesloten. Besteed met name aandacht aan de luidsprekerkabels. Er mogen geen losse draadjes zijn

die contact kunnen maken met de andere luidsprekerkabels of met het chassis van de versterker.

Lees deze handleiding zorgvuldig. U vindt hierin niet alleen instructies voor het installeren en het gebruik van de versterker, maar ook waardevolle informatie over verschillende systeemconfiguraties en algemene informatie om uw systeem optimaal te laten presteren. Mocht u nog vragen hebben, neem dan contact op met uw officiële Rotel-verkoper. Natuurlijk kunt u met uw vragen en opmerkingen ook rechtstreeks bij Rotel terecht. Bewaar de doos en alle bijgesloten verpakkingsmaterialen voor eventueel toekomstig gebruik. Als u de versterker niet in de originele verpakking verzendt of verhuist, kan dit tot ernstige schade leiden die niet door de garantie wordt gedekt.

Vul de registratiekaart van de eigenaar in of neem on line registreert in de doos op. Bewaar ook de originele aankoopbon. Hiermee kunt u het beste de aankoopdatum aantonen als u aanspraak zou moeten doen op de garantie.

Plaatsing

De RMB-1504 geven tijdens normaal gebruik warmte af. Om deze warmte af te voeren is de versterker voorzien van koelprofielen en ventilatieopeningen. De ventilatiegleuven in de bovenkant moeten open blijven. Om te voorkomen dat de versterker oververhit raakt, moet er 10 cm ruimte zijn rond het chassis en moet er een redelijke luchtdoorstroming zijn op de installatielocatie.

Houd bij het selecteren van een installatielocatie rekening met het gewicht van de versterker. Controleer of het schap of de kast sterk genoeg is. Wij adviseren u het apparaat in speciaal meubilair voor audiocomponenten te plaatsen. Dergelijk meubilair is ervoor ontworpen om trillingen die de geluidskwaliteit kunnen aantasten te verminderen of te onderdrukken. Vraag uw officiële Rotel-verkoper om advies over het juiste meubilair en over de juiste installatie van audiocomponenten.

Aansluiting op het stroomnet en bediening

AC-voedingsingang ¹¹

Uw versterker is in de fabriek geconfigureerd voor de spanning op het lichtnet van het land waar u hem gekocht hebt, dus 120 volt of 230 volt. De AC-lijnconfiguratie is aangegeven op een plaatje op het achterpaneel.

OPMERKING: Als u uw versterker naar een ander land verhuist, dient u deze mogelijk opnieuw te configureren voor gebruik met een andere netspanning. Probeer deze conversie niet zelf uit te voeren. Door de behuizing van de versterker te openen, wordt u blootgesteld aan gevaarlijke spanning. Raadpleeg een erkend onderhoudsmonteur of de onderhoudsafdeling van Rotel voor informatie.

OPMERKING: Sommige producten zijn bestemd voor verkoop in meer dan één land en worden daarom met meer dan één voedingskabel geleverd. Gebruik uitsluitend de voor uw land of regio geschikte kabel.

Door het relatief hoge vermogen kan de RMB-1504 veel stroom trekken. Daarom moet het rechtstreeks in een gepolariseerde stopcontact worden aangesloten met behulp van de meegeleverde kabel of andere kabel met hoge stroom, zoals aanbevolen door uw erkende Rotel-dealer. Gebruik geen verlengsnoer. U kunt eventueel gebruikmaken van een speciale meervoudige stekkerdoos als de specificaties van de stekkerdoos (en het stopcontact waarop deze wordt aangesloten) afdoende zijn voor de stroom die gevraagd wordt door de RMB-1504 en alle erop aangesloten componenten.

Controleer of de AAN/UIT-KNOP ¹ aan de voorkant van de versterker uitgeschakeld is (in de stand 'uit'). Sluit vervolgens de bijgeleverde voedingskabel aan op de voedingsingang ¹¹ aan de achterkant van het apparaat en steek de stekker in het stopcontact.

Als u langere tijd niet thuis bent, bijvoorbeeld als u een maand op vakantie gaat, is het verstandig om de stekker van uw versterker (en die van andere audio- en videoapparatuur) niet in het stopcontact te laten zitten terwijl u weg bent.

AAN/UIT-knop en AAN/UIT-indicator ¹

De AAN/UIT-knop bevindt zich op het voorpaneel van uw versterker. Druk de knop in om de versterker in te schakelen. De ring rond de knop gaat branden ten teken dat de versterker ingeschakeld is. Druk nogmaals op de knop en zet hem weer in de stand 'uit' om de versterker uit te schakelen.

OPMERKING: Breng de zelfklevende ring aan over het licht rondom de AAN/UIT-knop als u het blauwe licht te fel vindt.

Automatische aan/uit keuzeschakelaar ⁷

U kunt op drie manieren de RMB-1504 al dan niet automatisch aan/ uit zetten. U kunt kiezen met de schakelaar op de achterkant van de versterker op de onderstaande wijze:

- **Met deze schakelaar in de uit ("OFF") positie**, kunt u de RMB-1504 middels de schakelaar "POWER" op de voorkant handmatig aan-en uitzetten. Gebruik deze manier ook wanneer u met de geschakelde spanningsuitgang op de achterkant een ander apparaat b.v. een voorversterker aan/uit wilt zetten.
- **Met deze schakelaar in de SIGNAL SENSE positie**, wordt de RMB-1504 automatisch aangeschakeld zodra er een signaal op de ingang komt. De versterker gaat weer uit ("STANDBY") wanneer de RMB-1504 gedurende enkele minuten geen signaal meer ontvangt. Het gebruik van de aan/uit schakelaar op de voorkant doet deze functie echter teniet. Deze schakelaar moet dus op aan ("ON") staan voor deze functie. Staat deze schakelaar op uit ("OFF") dan staat de versterker onder alle omstandigheden dan ook echt uit.
- **Met deze schakelaar in de "12V TRIG" positie**, wordt de versterker automatisch aangeschakeld wanneer er een 12 volt signaal verschijnt op de 3.5mm "12 TRIG IN" aansluiting links van deze schakelaar. Zodra dit 12V. signaal verdwijnt gaat de RMB-1504 uit. Ook deze "auto-aan/uit" functie werkt echter niet wanneer de "POWER" schakelaar op de voorkant van de versterker niet is ingedrukt.

Triggeringang 12 volt ⁶

Op deze 3.5mm plugaansluiting moet u een signaal van +12 volts zetten, van b.v. een Rotel voorversterker of surround-processor, om de versterker op afstand aan en uit te kunnen schakelen. Om deze functie te kunnen gebruiken moet de betreffende schakelaar in de linker positie gezet worden (zie vorige paragraaf).

Deze schakelingang werkt bij zowel gelijkals wisselspanning en deze mag variëren tussen 3 en 30 volts. Voor deze functie heeft u een kabel nodig met aan beide zijden een 3.5mm miniplug. Het 12 volt signaal staat op de tip van de plug.

Triggeruitgang 12 volt ⁶

De 3.5mm aansluiting gemerkt "OUT" is om het schakelsignaal over te brengen naar een ander component dat op eenzelfde wijze werkt. Op deze

aansluiting staat alleen een 12 volts signaal als ook op de aansluiting "IN" een 12 volts signaal staat.

Circuitonderbreker ^[10]

Een circuitonderbreker op de achterkant beschermt de voeding van de versterker. Normaal gesproken wordt dit circuit alleen angesproken onder bedreigende en extreme omstandigheden die resulteren in een excessief hoge stroomafname. Om de onderbrekerfunctie te herstellen drukt u op de toets "AC BREAKER". Wordt deze circuitonderbreker regelmatig angesproken dan wordt het tijd uw Rotel adviseur om technische steun te vragen.

Beveiligingscircuits ^[2]

De RMB-1504 zijn voorzien van circuits voor thermische beveiliging en kortsluitbeveiliging om het apparaat te beschermen tegen beschadiging in geval van extreme of foutieve bedrijfsomstandigheden. In tegenstelling tot bij veel andere apparaten staan de beveiligingscircuits los van het audiosignaal en hebben ze geen invloed op de geluidsprestaties. Ze bewaken de temperatuur van de uitgangapparaten en de spanning die ze verwerken en schakelen de versterker uit als de gebruiksomstandigheden de veiligheidsgrenzen overschrijden.

Waarschijnlijk zult u de werking van deze beveiligingscircuits nooit ervaren. Mocht er echter een storing optreden, dan stopt de versterker en één of meerdere indicators "PROTECTION" gaat/n branden.

Schakel de versterker uit als dit gebeurt, laat hem enkele minuten afkoelen en probeer vervolgens het probleem te vinden en te verhelpen. Als u de versterker weer inschakelt, wordt het beveiligingscircuit automatisch gereset. Blijft/blijven de indicator/s uit, wat aangeeft dat de versterker normaal is ingeschakeld.

In de meeste gevallen treedt het beveiligingscircuit in werking door een storing, zoals kortsluiting in de luidsprekerkabels of onvoldoende ventilatie waardoor het apparaat oververhit raakt. Heel zelden wordt het beveiligingscircuit ingeschakeld doordat de luidsprekerimpedantie zeer laag is of de luidsprekerbelasting als gevolg van een hoog reactiegedrag te hoog is.

Als het beveiligingscircuit herhaaldelijk wordt ingeschakeld en u de storing niet kunt vinden en/of verhelpen, vraag uw officiële Rotel-verkoper dan om hulp.

Signaal aansluitingen

De RMB-1504 hebben standaard ingangsaansluitingen van het type RCA en te vinden op bijna alle audioapparatuur.

Tevens hebben we de RMB-1504 uitgerust met een signaaldoorvoeraansluiting om ingangssignaal "A" onversterkt door te kunnen voeren naar een ander component. Bovendien kan het ingangssignaal op ingang "A" doorgeschakeld worden op ingangen "B". Zodoende heeft u geen extra ingangskabels nodig voor die andere kanalen, wanneer u de versterker gaat gebruiken in een systeem waarin hij meerdere paren luidsprekereenheden moet aansturen.

OPMERKING: Zorg ervoor dat de versterker is uitgeschakeld als u de configuratie van de ingangssignalen aanpast; zo voorkomt u harde en mogelijk schadelijke geluiden.

Cinch-ingangen ^[4]

Zie figuur 2

De RMB-1504 is uitgerust met één stel ingangen per versterkerpaar.

Deze ingangen zijn voor het ontvangen van het uitgangssignaal van een voorversterker of "surround-processor". Gebruik als het even kan kwaliteitskabels voor deze verbindingen.

Verbind de linker uitgang van uw voorversterker met één van de aansluitingen "INPUT L" van de RMB-1504. Verbind de rechter uitgang van uw voorversterker met één van de aansluitingen "INPUT R". Zorg ervoor dat de ingangsschakelaar naast de ingang op "STEREO" staat.

Mono-schakelaar ^[4]

Wanneer de schakelaar "MONO" aan ("ON") wordt gezet, worden het linker en rechter kanaal aan elkaar doorverbonden.

Doorlussen van het ingangssignaal ^[4]

U heeft de mogelijkheid de ingangsparen "B" door te lussen naar ingangspaar "A" door de schakelaar naast de betreffende ingang op "LINK" te zetten. Wanneer de betreffende ingang op deze wijze is doorgelust is een aparte set verbindingskabels voor dit ingangspaar niet nodig. Het ingangssignaal van ingangspaar "A" wordt nu ook doorgegeven naar het versterkerpaar dat u heeft doorgelust (GELINKD). U kunt zodoende vier eindversterker kanalen van hetzelfde stereo ingangssignaal voorzien.

Ingangsniveauregelaars ^[3]

Met de twee potentiometers op de voorkant, kunt u het geluidsniveau van de versterker per stereopaar instellen. Zo kunt u de RMB-1504 aanpassen aan andere componenten in een gecompliceerde installatie. De regelaar gemerkt "A" regelt het niveau van stereopaar "A", die gemerkt met "B" het stereopaar "B" en die gemerkt .

Gebruik een kleine platte schroevendraaier om de niveaus in te stellen: rechtsom hoger en linksom lager.

Doorlusverbinding van het ingangssignaal ^[5]

Dit paar cinch-aansluitingen kan gebruikt worden om een onversterkt signaal door te sturen naar een ander component, bij voorbeeld het doorlussen naar een andere eindversterker voor een extra stel luidsprekers. Het ingangssignaal "A" staat op deze twee uitgangen ^[5] ("SIGNAL OUTPUT LINK") dan altijd tot uw beschikking.

OPMERKING: De ingangssignalen op ingangen "A" kunnen ook doorgelust worden naar ingangen "B", door de schakelaar naast de betreffende ingang op "LINK" te zetten.

Luidsprekeraansluitingen

De RMB-1506 heeft twee paar kleurgecodeerde luidsprekeraansluitingen, één paar per kanaal.

Luidsprekerselectie

We raden u aan luidsprekers te gebruiken met een nominale impedantie van 4 ohm of hoger in combinatie met de RMB-1504. Wees voorzichtig als u meerdere paren luidsprekers parallel wilt aansturen, want de daadwerkelijke impedantie die de versterker doorkrijgt, wordt gehalveerd. Als u bijvoorbeeld twee paar luidsprekers van 8 ohm aandrijft, ziet de versterker een belasting van 4 ohm. Als u meerdere luidsprekers parallel aandrijft, raden we u aan luidsprekers te kiezen met een nominale impedantie van 8 ohm of hoger. Luidsprekerimpedantie-aanduidingen zijn niet altijd even nauwkeurig. In de praktijk zal het niet vaak gebeuren dat luidsprekers problemen opleveren voor de RMB-1504. Mocht u hierover echter vragen hebben, neem dan contact op met uw officiële Rotel-verkoper.

Luidsprekerkabeleselectie

Sluit de versterker aan op de luidsprekers met geïsoleerde, twee-aderige kabels van geslagen draad. De dikte en de kwaliteit van de kabel kunnen een hoorbaar effect hebben op de prestaties van het systeem. Standaard luidsprekerkabel werkt wel, maar heeft als nadeel dat het volume en/of de basrespons lager is, met name bij grotere kabellengtes. In het algemeen leveren dikkere kabels een beter geluid op. Voor optimale prestaties is het gebruik van speciale, hoogwaardige luidsprekerkabels aan te bevelen. Uw officiële Rotel-verkoper kan u helpen de juiste kabels voor uw systeem te kiezen.

Polariteit en fase

De polariteit – de juiste aansluiting van de plus- en minpool – moet voor elke luidspreker- en versterkeraansluiting hetzelfde zijn, zodat alle luidsprekers in fase zijn. Als de polariteit van één aansluiting wordt omgekeerd, is de basweergave zeer zwak en is het stereobeeld minder goed. Alle kabels zijn dusdanig gemerkt dat de twee verschillende aders te herkennen zijn. Ze kunnen voorzien zijn van ribbels of van een streep op de isolatie van één ader. Of de isolatie kan transparant zijn terwijl de inwendige draden verschillende kleuren hebben (koper en zilver). Ook is het mogelijk dat de polariteitsindicatie op de isolatie geprint is. Bepaal welke de plus- en welke de min-ader is en sluit alle luidsprekers op basis hiervan op dezelfde manier aan.

Luidsprekeraansluitingen

Zie figuur 2

OPMERKING: De onderstaande tekst betreft zowel aansluitklemmen als plug-in-aansluitingen. Gebruik NIET beide aansluitmethoden samen om meerdere luidsprekers aan te sluiten.

Schakel alle componenten in het systeem uit voordat u de luidsprekers aansluit.

De RMB-1504 hebben twee kleurgecodeerde aansluitklemmen, twee per kanaal. Op deze connectoren kunnen gestripte kabels, kabelschoentjes of dubbele banaanstekkers worden aangesloten (behalve in de landen binnen de Europese Unie waar het gebruik van deze laatste niet is toegestaan).

Leid de kabel vanaf de versterker naar de luidsprekers. Zorg voor voldoende extra lengte om de componenten te kunnen verplaatsen, zodat de luidsprekeruitgangen bereikbaar zijn.

Als u gebruikmaakt van dubbele banaanstekkers, sluit deze dan op de draden aan en steek ze achter in de aansluitklemmen. Schroef de bevestigingsschroeven van de aansluitklemmen helemaal vast (rechtsom).

Als u gebruikmaakt van kabelschoentjes, dan moet u deze eerst aan de luidsprekerkabels bevestigen. Wilt u de kabels rechtstreeks aan de aansluitklemmen bevestigen, dan moet u de twee aders van elkaar scheiden en strippen (de isolatie verwijderen). Beschadig de draadjes van de aders niet. Schroef de aansluitklem los (linksom draaien). Doe het kabelschoentje of de gestripte kabel rond de as van de aansluitklem en draai de aansluitklem vervolgens weer vast om het kabelschoentje of de gestripte kabel stevig vast te klemmen.

OPMERKING: Zorg ervoor dat er geen losse draadjes uitsteken die andere aders of connectoren kunnen raken.

Sluit de linker luidsprekers aan op de connectoren gemerkt "LEFT" en de rechter luidsprekers op de connectoren gemerkt "RIGHT". Zorg dat de plus

van de luidspreker, meestal rood gemerkt, op de plus van de versterker wordt aangesloten en de min, meestal zwart, op de min van de versterker.

Problemen oplossen

De meest voorkomende problemen bij audiosystemen zijn het gevolg van aansluitfouten of foute instellingen. Mocht u tegen problemen aanlopen, bepaal dan waar het probleem zich voordoet, controleer de instellingen van de bedieningselementen, stel de precieze oorzaak van de fout vast en voer de nodige aanpassingen uit. Als de versterker geen geluid te horen geeft, raadpleeg dan de onderstaande suggesties:

De AAN/UIT-indicator brandt niet

De versterker krijgt geen voeding. Controleer de aan/uit-schakelaar op het voorpaneel. Bevestig dat hij is ingeschakeld. Controleer de voedingsaansluitingen van de versterker en het stopcontact.

Geen geluid

Als de versterker wel op de netvoeding is aangesloten maar geen geluid produceert, controleer dan de beveiligingsindicator op het voorpaneel. Raadpleeg de onderstaande informatie als deze brandt. Controleer als dit niet het geval is alle aansluitingen en bedieningsinstellingen op de bijbehorende componenten.

Beveiligingsindicator

De AAN/UIT-indicator op het voorpaneel knippert als de versterker is uitgeschakeld door een van de beveiligingscircuits. Gewoonlijk gebeurt dit alleen als de ventilatieopeningen geblokkeerd zijn, als er iets mis is met de bedrading van de luidsprekers of na langdurig extreem gebruik. Schakel het systeem uit en laat de versterker afkoelen. Druk vervolgens de aan/uitschakelaar op het voorpaneel in om de beveiliging te resetten. Als de storing niet is verholpen of opnieuw optreedt, is er een probleem met het systeem of de versterker zelf.

Specificaties

Continue uitgangsvermogen aan 8 ohm alle kanalen functionerend (20 - 20000 Hz, < 0,03% THD)	4 x 70 Watts p/kan. aan 8 ohm
Totale harmonische vervorming (20 - 20000 Hz, 8 ohms)	
bij vol vermogen:	< 0,03%
half vermogen:	< 0,03%
bij 1 Watt:	< 0,03%
Intermodulatie vervorming (60Hz : 7kHz, 4:1)	< 0,03%
Dempingsfactor (20 - 20000 Hz, 8 ohm)	>200
Ingangsimpedantie/Ingangsevoeligheid	20 k ohms/1 V
Versterkingsfactor	26 dB
Oversturingniveau aan de ingang	5 V
Frequentiebereik (± 1 dB)	10 Hz - 100k Hz
Signaal/ruisverhouding (IHF, A netwerk)	115 dB
Kanaalscheiding	> 50 dB
Luidsprekerimpedantie	4 ohm minimaal
Activeringniveau bij "SIGNAL SENSE"	4 mV aan de ingang
Netspanning	
Amerikaanse versie	120 volt, 60 Hz
Europese versie	230 volt, 50 Hz
Stroomverbruik	300 watt
Stroomverbruik stand-by	
Signal Sense	1 watt
Stand-by	< 0,5 watts
BTU	810 BTU / h
Afmetingen	
Breedte x Hoogte x Diepte	431 x 144 x 443 mm 17 x 5 ² / ₃ x 17 ¹ / ₂ in
Hoogte voorpaneel	3U / 132,6 mm / 5 ² / ₉ ins
Gewicht (netto)	14,9 kg

Alle specificaties zijn correct bij het ter perse gaan.

Rotel behoudt zich het recht voor zonder voorafgaande kennisgeving verbeteringen door te voeren.

Rotel en het Rotel HiFi-logo zijn gedeponeerde handelsmerken van The Rotel Co, Ltd., Tokio, Japan.

Importanti informazioni di sicurezza

ATTENZIONE: Non vi sono all'interno parti riparabili dall'utente. Per l'assistenza fare riferimento a personale qualificato.

ATTENZIONE: Per ridurre il rischio di incendio e di scossa elettrica non esporre l'apparecchio all'umidità o all'acqua. Non posizionare contenitori d'acqua, ad esempio vasi, sull'unità. Evitare che cadano oggetti all'interno del cabinet. Se l'apparecchio è stato esposto all'umidità o un oggetto è caduto all'interno del cabinet, staccare immediatamente il cavo di alimentazione dalla presa elettrica. Portare l'apparecchio ad un centro di assistenza qualificato per i necessari controlli e riparazioni.

Leggere attentamente tutte le istruzioni.

Conservare questo manuale.

Seguire attentamente tutte le avvertenze.

Seguire tutte le istruzioni d'uso.

Non utilizzare il prodotto vicino all'acqua.

Pulire il cabinet solo con un panno asciutto o con un piccolo aspirapolvere.

Non posizionare l'apparecchio su un letto, divano, tappeto, o superfici che possano bloccare le aperture di ventilazione. Se l'apparecchio è collocato in una libreria o in mobile apposito, fare in modo che vi sia abbastanza spazio attorno all'unità per consentire la ventilazione ed un adeguato raffreddamento.

Tenerlo lontano da fonti di calore come caloriferi, termoconvettori, stufe o altri apparecchi che generano calore.

Non cercare di eliminare la messa a terra o la polarizzazione. Se la spina del cavo di alimentazione fornito in dotazione non corrisponde allo standard della vostra presa consultare un elettricista per la sostituzione di quest'ultima.

Non far passare il cavo di alimentazione dove potrebbe venir schiacciato, pizzicato, piegato eccessivamente, esposto al calore o danneggiato. Fare particolare attenzione al posizionamento del cavo di alimentazione in corrispondenza della presa elettrica e nel punto in cui esce dalla parte posteriore dell'apparecchio.

Usare esclusivamente accessori indicati dal produttore.

Utilizzare solo stand, scaffali o supporti indicati da Rotel. Prestare molta cautela nel muoverlo quando si trova su un supporto o uno scaffale per evitare di ferirvi in caso di caduta.



Il cavo di alimentazione deve essere scollegato dalla presa elettrica durante forti temporali con fulmini e quando l'apparecchiatura rimane inutilizzata per un lungo periodo di tempo.

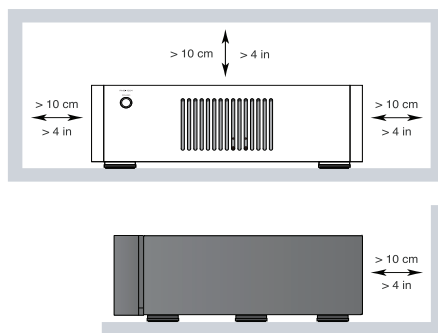
L'apparecchio non deve più essere utilizzato e fatto ispezionare da personale qualificato quando: il cavo di alimentazione o la spina sono stati danneggiati; sono caduti oggetti o liquidi all'interno dell'apparecchio; è stato esposto alla pioggia; non sembra funzionare in modo normale; è caduto o è stato in qualche modo danneggiato.

L'apparecchio deve essere usato in clima non tropicali.

La ventilazione non dovrebbe essere impedita coprendo le aperture di ventilazione con oggetti come giornali, tovaglie, tende, ecc.

Nessuna fonte di fiamme libere, come candele accese, dovrebbe essere collocata sull'apparecchio.

Mantenere 10 cm circa di spazio libero da tutti i lati del prodotto.



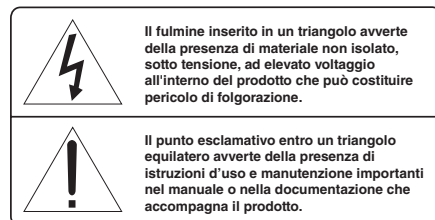
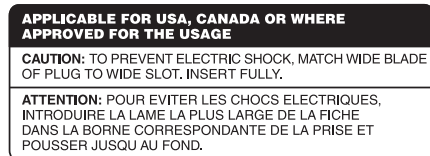
ATTENZIONE: La presa del cavo di alimentazione sul pannello posteriore è il mezzo principale per scollegare l'apparecchio dall'alimentazione. Posizionarlo quindi in modo tale che la presa sia sempre facilmente accessibile.

L'apparecchio deve essere collegato esclusivamente ad un'alimentazione elettrica del tipo indicato sul pannello posteriore. (USA: 120V/60Hz, CE: 230V/50Hz)

Collegare l'unità alla presa di alimentazione solo con il cavo fornito o con un esatto equivalente. Non modificare il cavo in dotazione in alcun modo. Non utilizzare prolunghe.

La presa del cavo di alimentazione sul pannello posteriore è il mezzo principale per scollegarlo dall'alimentazione. Per scollegare completamente il prodotto, è necessario staccare fisicamente il cavo di alimentazione dalla presa elettrica e prodotto. Questo è l'unico modo per rimuovere completamente l'alimentazione dal prodotto.

Per il collegamento con i diffusori utilizzare cavi di Classe 2 che assicurano un idoneo isolamento e minimizzano il rischio di scosse elettriche.



I prodotti Rotel sono realizzati in conformità con le normative internazionali: Restriction of Hazardous Substances (RoHS) per apparecchi elettronici ed elettrici, ed alle norme Waste Electrical and Electronic Equipment (WEEE). Il simbolo del cestino con le ruote e la croce sopra, indica la compatibilità con queste norme, e che il prodotto deve essere riciclato o smaltito in ottemperanza a queste direttive.



Questo simbolo indica che questo prodotto è doppiamente isolato. Non è necessario il collegamento della messa a terra.



Sommario

Figura 1: Controlli e connessioni	3
Figura 2: Collegamenti ingressi analogici ed uscite diffusori	4
Note importanti	5
Importanti informazioni di sicurezza	34
Alcune informazioni su Rotel	35
Per Cominciare	35
Caratteristiche	35
Alcune precauzioni	35
Posizionamento	36
Alimentazione AC e comandi	36
Ingresso alimentazione ^[1]	36
Interruttore d'accensione ed indicatore ^[1]	36
Selettore modalità automatica Accensione/spegnimento ^[7]	36
Ingressi segnali Trigger 12 V ^[6]	36
Uscite segnali Trigger 12 V ^[6]	36
Interruttore di protezione ^[10]	36
Circuiti di protezione ^[2]	37
Connessioni di segnale	37
Ingressi RCA ^[4]	36
Commutatore Mono ^[4]	37
Collegamento degli ingressi ^[4]	37
Controlli degli ingressi di linea ^[3]	37
Uscita del segnale Link ^[5]	37
Connessioni di diffusori	37
Selezione dei diffusori	37
Scelta del cavo diffusori	37
Polarità e fase	38
Collegamento diffusori ^[8] ^[9]	38
Risoluzione dei problemi	38
L'indicatore di accensione non si illumina	38
Nessun suono	38
Indicatore di protezione	38
Caratteristiche tecniche	39

Alcune informazioni su Rotel

La nostra storia ha avuto inizio quasi 50 anni fa. Nel corso del tempo abbiamo ricevuto centinaia di riconoscimenti per la qualità dei nostri prodotti e soddisfatto centinaia di migliaia di audiofili ed amanti della musica. Proprio come voi!

Rotel è stata fondata da una famiglia la cui passione per la musica ha portato alla realizzazione di componenti alta fedeltà di qualità senza compromessi. Attraverso gli anni questa passione non si è affievolita e l'obiettivo di realizzare apparecchi di straordinario valore per veri audiofili, indipendentemente dal loro budget, continua ad essere condiviso da tutti coloro che vi lavorano.

I nostri progettisti operano in stretto contatto tra loro ascoltando ed affinando ogni nuovo prodotto fino a raggiungere determinati standard qualitativi. Viene loro offerta una totale libertà di scelta sui componenti per ottenere le migliori prestazioni possibili. Non è raro quindi trovare in un Rotel condensatori di fabbricazione inglese o tedesca, semiconduttori giapponesi o americani, con la sola eccezione dei trasformatori di alimentazione, prodotti come tradizione nelle nostre fabbriche.

Noi tutti abbiamo a cuore i temi dell'ambiente. Pensando al numero sempre crescente di apparecchi elettronici prodotti, è molto importante per un costruttore fare tutto il possibile affinché essi abbiano un minimo impatto sull'ambiente.

Alla Rotel siamo orgogliosi di fare la nostra parte riducendo il contenuto di piombo negli apparecchi rispettando la normativa RoHS. I nostri progettisti sono continuamente impegnati a migliorare l'efficienza dei prodotti senza per questo compromettere la loro qualità. Quando in standby, gli apparecchi assorbono una minima quantità di corrente così da soddisfare i requisiti dei più rigorosi standard di consumo energetico.

Anche le fabbriche Rotel contribuiscono ad aiutare l'ambiente attraverso continui progressi dei metodi di assemblaggio per arrivare a processi produttivi sempre più rispettosi dell'ambiente.

Noi tutti di Rotel vi ringraziamo per aver acquistato questo prodotto che, siamo sicuri, vi accompagnerà per molti anni di puro divertimento e soddisfazione.

Per Cominciare

Grazie per aver acquistato l'amplificatore finale 4 canali Rotel RMB-1504. Utilizzato in un sistema di riproduzione audio home theatre di qualità vi garantirà numerosi anni di gradevole intrattenimento.

L'RMB-1504 è un sofisticato amplificatore finale a 4 canali a discreti, dotato di un potente trasformatore di alimentazione, componenti selezionati, condensatori ad alta corrente che assicurano la possibilità di pilotare anche i carichi più impegnativi ed è progettato seguendo le regole del Rotel Balanced Design Concept, che garantisce le superbe qualità sonore dei nostri prodotti.

Caratteristiche

- Amplificatore finale a 4 canali, con potenza di 70W per canale su 8ohm.
- Controllo dei livelli di ingresso sul pannello frontale.
- Possibilità di selezionare la modalità di accensione/spegnimento: manuale, con rilevazione automatica del segnale in ingresso, o attraverso un segnale esterno trigger a 12V.
- Circuito di protezione con segnalazione sul pannello frontale.
- Collegamento segnali in ingresso, commutatore ingresso mono e connettori di collegamento dei segnali in uscita per la massima flessibilità di configurazione del sistema.

Alcune precauzioni

ATTENZIONE: Per evitare danni ai componenti dell'impianto, assicurarsi sempre che siano tutti completamente spenti prima di eseguire o modificare i collegamenti tra loro o con i diffusori. Non riaccendere alcuno dei componenti prima di aver controllato tutti i collegamenti. Prestare particolare attenzione ai cavi dei diffusori per evitare che alcuni fili lasciati liberi possano toccare un altro cavo, il connettore adiacente o il mobile dell'amplificatore.

Vi preghiamo di leggere con attenzione questo manuale. Insieme alle istruzioni d'uso e di installazione di base, fornisce informazioni che vi aiuteranno a sfruttare al meglio il vostro sistema. Si prega di contattare il

vostro rivenditore autorizzato Rotel per eventuali domande o dubbi. Inoltre tutti noi in Rotel saremmo lieti di rispondere ai vostri quesiti.

Conservare la scatola dell'imballo ed il materiale di protezione interno per eventuali necessità future. La spedizione o lo spostamento dell'apparecchio in qualsiasi altro contenitore che non sia l'imballo originale potrebbe causare seri danni al prodotto ed invalidare la garanzia.

Se incluso nella confezione, completare la scheda di registrazione del proprietario o registrarsi online. Conservare la ricevuta d'acquisto originale che costituisce la miglior prova della data di acquisto del prodotto, necessaria nell'eventualità di dovere ricorrere ad interventi di riparazione in garanzia.

Posizionamento

Entrambi questi amplificatori generano calore durante il normale funzionamento. I dissipatori interni e le aperture sul coperchio sono previsti per smaltire il calore prodotto: non ostruire quindi le fessure di ventilazione e lasciare almeno 10 cm di spazio libero attorno all'unità per consentire un adeguato passaggio dell'aria e prevenire surriscaldamenti.

Considerare il peso e le dimensioni dell'apparecchio. Nel caso si desideri posizionarlo su una mensola o in un mobile, accertarsi che possano sopportarne il peso. Si consiglia di installarlo in una struttura progettata per ospitare componenti audio e ridurre o sopprimere le vibrazioni indotte dall'esterno. Consultare il rivenditore Rotel per conoscere il tipo di mobile più adatto e ricevere consigli sulla corretta installazione dei componenti dell'impianto.

Alimentazione AC e comandi

Ingresso alimentazione ^[1]

L'amplificatore è configurato in fabbrica per funzionare alla tensione di alimentazione del Paese in cui è stato acquistato (USA: 120V/60Hz, Europa: 230V/50Hz). La tensione di alimentazione AC impostata è indicata su un adesivo posto sul retro.

NOTA: In caso di trasferimento in un Paese con diversa tensione elettrica, è possibile riconfigurare internamente gli amplificatori. Questa operazione deve essere svolta da personale qualificato e non dall'utente. All'interno sono infatti presenti tensioni potenzialmente pericolose. Consultare il rivenditore Rotel o il servizio di assistenza autorizzato.

NOTA: Alcune versioni sono previste per la vendita in più di un Paese e pertanto vengono forniti cavi di alimentazione diversi. Utilizzare solo quello adatto alle prese elettriche in uso nel vostro Paese.

A causa dell'elevata potenza erogata, l'RMB-1504 può assorbire considerevoli quantità di corrente dalla rete elettrica. Pertanto, deve essere collegato direttamente ad una presa a parete polarizzata utilizzando il cavo fornito o un altro cavo compatibile ad alta corrente come raccomandato dal rivenditore autorizzato Rotel. Gebruik geen verlengsnoer. In alternativa può essere impiegata una presa multipla (comunemente chiamata "ciabatta") di buona qualità ed in grado di sopportare le correnti richieste dall'amplificatore e tutti i componenti collegati.

Assicurarsi che l'interruttore d'accensione ^[1] sul frontale sia in posizione di "spento" (tasto verso l'esterno), quindi collegare un capo del cavo di alimentazione fornito in dotazione alla presa ^[11] sul pannello posteriore dell'apparecchio e l'altro capo alla presa della rete elettrica.

Se si prevede di non utilizzare l'apparecchio per un certo periodo di tempo (ad esempio durante le vacanze), è buona precauzione scollegare dalla presa elettrica il cavo di alimentazione dell'amplificatore e degli altri componenti dell'impianto.

Interruttore d'accensione ed indicatore ^[1]

Premere il pulsante d'accensione sul frontale per attivare l'amplificatore. L'indicatore attorno ad esso si illumina quando l'apparecchio è acceso. Ripremere il pulsante per spegnere l'amplificatore.

NOTA: Se si ritiene che la luminosità dell'indicatore sia eccessiva, posizionare l'adesivo fornito attorno all'interruttore d'accensione.

Selettore modalità automatica Accensione/spegnimento ^[7]

L'RMB-1504 dispone di tre differenti modalità per l'accensione/spegnimento manuale o automatico. Queste modalità sono selezionabili utilizzando un selettore a tre posizioni sul pannello posteriore dell'unità:

- **Con il selettore in posizione OFF**, l'amplificatore viene acceso e spento manualmente tramite l'interruttore posto sul pannello frontale. Potete anche utilizzare questa modalità se state usando una pre-sa AC comandata per alimentare l'amplificatore.
- **Con il selettore in posizione SIGNAL SENSE**, l'amplificatore si accende automaticamente quando rileva un segnale in ingresso, e si mette in modalità standby alcuni minuti dopo che il segnale non è più presente; l'interruttore sul pannello frontale annulla questa funzione, deve essere in posizione ON per potere essere attivata. Mettendo l'interruttore su OFF si toglie l'alimentazione all'amplificatore, e si annulla questa modalità.
- **Con il selettore in posizione 12V TRIG**, l'amplificatore si accende automaticamente quando rileva un segnale trigger 12V sull'ingresso 12V TRIG, posto a sinistra del selettore. L'amplificatore si mette in modalità standby se il segnale +12V non è più presente. L'interruttore sul pannello frontale annulla questa funzione, deve essere in posizione ON per potere essere attivata. Mettendo l'interruttore su OFF si toglie l'alimentazione all'amplificatore, e si annulla questa modalità.

Ingressi segnali Trigger 12 V ^[6]

Questo connettore può ricevere un segnale trigger 12V da un preamplificatore o da un processore surround Rotel per attivare l'accensione o lo spegnimento automatico dell'unità. Per utilizzare questa funzione, il selettore adiacente deve essere posizionato su 12V TRIG (vedi sezione precedente).

L'ingresso TRIGGER accetta qualsiasi segnale di controllo (AC o DC) da 3 a 30Volts, inviato attraverso un cavo con terminali da 3.5mm su entrambi i capi. Il segnale +12 V DC viene trasmesso dalla punta del connettore.

Uscite segnali Trigger 12 V ^[6]

Il connettore 12V TRIG indicato con la dicitura: OUT serve per reinviare il segnale di attivazione ad un altro amplificatore Rotel. Ogni segnale Trigger 12V presente sull'ingresso INPUT sarà inviato anche al connettore OUT.

Interruttore di protezione ^[10]

L'interruttore presente sul pannello posteriore protegge i circuiti elettrici dell'amplificatore. Generalmente, interverrà solo in caso di condizioni di guasto che possono dare luogo a sbalzi di corrente. Per ripristinarlo, premete il tasto. Se dovesse intervenire continuamente, contattate il vostro rivenditore autorizzato Rotel o un centro assistenza tecnica.

Circuiti di protezione ^[2]

L'RMB-1504 è dotato di protezioni sia termiche, sia contro sovracorrenti in uscita per salvaguardare gli stadi di amplificazione in condizioni di funzionamento estreme o di malfunzionamento. Diversamente da quanto avviene in altri apparecchi, i circuiti di protezione sono indipendenti da quelli audio e pertanto non influiscono sulle prestazioni sonore. Controllano la temperatura dei dispositivi finali ed eventualmente disattivano gli stadi di potenza quando il calore prodotto supera i limiti di sicurezza.

Difficilmente accadrà che questi circuiti si attivino, tuttavia in caso di problemi l'amplificatore cesserà di funzionare e uno o più LED di protezione sul pannello frontale si illuminano per segnalare l'intervento delle protezioni.

Qualora ciò si verifici, spegnere l'apparecchio ed attendere il suo completo raffreddamento (parecchi minuti), cercando nel contempo di identificare e correggere le cause che hanno provocato l'intervento delle protezioni. Riaccendendo l'amplificatore il circuito di protezione si resetta e i LED di protezione si spegneranno ad indicare il normale funzionamento.

Nella maggior parte dei casi le protezioni si attivano in presenza di un cortocircuito alle uscite o ventilazione inadeguata. In casi più rari, intervengono quando l'impedenza dei diffusori assume valori molto bassi oppure altamente reattivi.

Se dovessero ripetutamente intervenire senza che si sia riusciti ad individuare e correggere il problema, contattare il rivenditore Rotel per assistenza.

Connessioni di segnale

L'RMB-1504 è dotato di connessioni standard RCA non bilanciate, come quasi tutti i componenti audio.

Visono anche una coppia di connettori SIGNAL OUTPUT LINK per trasmettere il segnale in ingresso collegato alla coppia di canali "A" ad un altro componente audio. Inoltre, il segnale in ingresso ai diffusori "A" può essere automaticamente trasmesso agli ingressi dei canali "B", in modo che non sia necessario un altro cavo di segnale in ingresso per questi canali; come ad esempio in sistemi più complessi, dove l'RMB-1504 viene usato per pilotare più coppie di diffusori.

NOTA: Per prevenire rumori anche forti, potenzialmente in grado di danneggiare i diffusori, assicurarsi sempre che tutti gli apparecchi dell'impianto siano spenti prima di effettuare ogni tipo di collegamento.

Ingressi RCA ^[4]

Vedi figura 2

Ci sono un ingressi RCA per ognuna delle due coppie dei canali dell'amplificatore. Questi ingressi RCA accettano segnali audio da preamplificatori o processori surround. Raccomandiamo l'utilizzo di cavi audio di alta qualità per ottenere i migliori risultati.

Per ogni coppia di canali, collegate l'uscita del canale sinistro del vostro preamplificatore con l'ingresso LEFT INPUT del RMB-1504. Collegate l'uscita del canale destro del vostro preamplificatore con l'ingresso RIGHT INPUT del RMB-1504. Assicuratevi che il selettore INPUT SELECT sia in posizione: STEREO.

Commutatore Mono ^[4]

Quando il commutatore MONO è in posizione ON, l'ingresso del canale sinistro "A" è connesso al canale destro.

Collegamento degli ingressi ^[4]

Potete collegare gli ingressi dei gruppi "B" agli ingressi "A", posizionando il selettore INPUT SELECT per quel gruppo in posizione LINK. Quando sono collegati, non è necessaria nessuna connessione in ingresso per quel gruppo. Il segnale in ingresso dal gruppo "A" viene inviato ai canali collegati, permettendovi di utilizzare quattro canali amplificati con lo stesso segnale stereo in ingresso.

Controlli degli ingressi di linea ^[3]

I due controlli sul pannello frontale, uno per ogni coppia di canali, vi permettono di regolare i livelli di ingresso per equipararli agli altri componenti del sistema. Il selettore A comanda il guadagno dei canali "A", il selettore B controlla i canali "B".

Per cambiare la regolazione dei canali, agite sui controlli mediante un piccolo cacciavite a taglio; ruotate in senso orario per aumentare il guadagno, in senso antiorario per ridurlo.

Uscita del segnale Link ^[5]

Questa coppia di connettori RCA possono essere usati per inviare i segnali in ingresso ad un altro componente audio senza nessuna processazione, ad esempio per collegare in modalità "daisy-chain" un ulteriore amplificatore per pilotare un secondo set di diffusori. I segnali in ingresso collegati ai canali "A" sono disponibile anche su queste uscite LINK.

NOTA: Questi segnali in ingresso dai canali "A" possono essere inviati agli ingressi "B" impostando il selettore INPUT SELECT sulla coppia di diffusori relativa in posizione LINK.

Connessioni di diffusori

L'RMB-1504 è dotato di due coppie di connettori per i diffusori, una coppia per ogni canale.

Selezione dei diffusori

Si raccomanda di collegare agli amplificatori RMB-1504 diffusori con impedenza nominale pari a 4 ohm o superiore. È necessaria una certa cautela nell'utilizzare coppie di diffusori in parallelo dal momento che la loro impedenza, vista dall'amplificatore, si dimezza. Due diffusori da 8 ohm in parallelo divengono infatti un carico da 4 ohm per l'amplificatore, due da 4 ohm, 2 ohm, etc. Volendo collegarne due a ciascuna uscita è necessario quindi scegliere modelli da 8 ohm nominali o più, considerando anche che il dato nominale dell'impedenza è un'indicazione di massima e che può anche risultare inferiore non essendo costante a tutte le frequenze. Nella pratica comunque solo pochissimi diffusori possono rappresentare un reale problema per questi amplificatori. In caso di dubbi, contattare il vostro rivenditore autorizzato Rotel.

Scelta del cavo diffusori

Per il collegamento tra amplificatore e diffusori utilizzare un cavo multifilare a due poli. La sezione e la sua qualità influiscono in maniera sensibile sul suono dell'impianto. Qualsiasi tipo di cavo può essere utilizzato, ma soprattutto in caso di distanze molto lunghe, è preferibile che la sezione sia elevata per evitare una riduzione della potenza effettivamente disponibile oppure di ottenere un suono povero in gamma bassa. Per le migliori prestazioni esistono in commercio speciali cavi per diffusori di alta qualità che il rivenditore Rotel potrà consigliare in base alle caratteristiche dell'impianto.

Polarità e fase

La polarità dei collegamenti (corretto orientamento dei conduttori positivo e negativo) deve essere sempre rispettata e risultare per tutti i diffusori uguale affinché si trovino tutti in fase. Se per errore si inverte il collegamento positivo e negativo anche di uno solo di essi, la gamma bassa risulterà poco incisiva e l'immagine compromessa. Per agevolare l'identificazione dei poli, nei cavi per diffusori i conduttori normalmente presentano un colore differente, dei segni stampati su uno di essi oppure un forma dell'isolante esterno leggermente diversa. Identificare i conduttori positivo e negativo ed assicurarsi di collegare ogni diffusore rispettando la corretta polarità.

Collegamento diffusori

NOTA: I paragrafi che seguono descrivono sia il metodo di collegamento tramite cavo spellato, sia tramite terminali a forcella. **NON utilizzare entrambi i tipi di connessione in combinazione per collegare più diffusori.**

Prima di procedere coi collegamenti verso i diffusori accertarsi che tutti i componenti dell'impianto siano spenti. L'RMB-1504 possiedono sul retro due gruppi di morsetti, contrassegnati da colore diverso a seconda della polarità, per ciascuno dei canali. In Europa la legislazione vigente impedisce l'uso di morsetti capaci di accettare spinotti a banana, pertanto sugli apparecchi previsti per questi mercati, sono disponibili solo morsetti in grado di accogliere terminali a forcella o direttamente cavo spellato.

Stendere il cavo della lunghezza necessaria al collegamento di ciascuno dei diffusori verso l'amplificatore lasciando un certo margine idoneo a poter muovere liberamente i componenti dell'impianto per l'accesso alle connessioni posteriori.

Se si utilizzano terminali a forcella, applicarli ai cavi. Se si preferisce collegare direttamente i cavi, separarli e quindi spellarne le estremità per esporre il conduttore. Prestare molta attenzione a non tagliare anche il conduttore quando si incide la guaina. Svitare (in senso antiorario) i collari a vite dei morsetti. Posizionare la forcella a contatto della parte metallica del morsetto, il cavo spellato, invece, nel foro centrale. Avvitare il collare in senso orario per bloccare saldamente la forcella o il cavo.

NOTA: Assicurarsi che spezzoni di filo libero non vadano a toccare il morsetto o il cavo adiacente.

Per ogni gruppo di canali, collegate il diffusore sinistro con i due connettori dei diffusori contrassegnati: LEFT. Collegate il diffusore destro con i due connettori dei diffusori contrassegnati: RIGHT. Seguite le indicazioni sui connettori, ed assicuratevi di rispettare la corretta polarità: il terminale positivo del diffusore deve essere collegato al terminale + dell'amplificatore; il terminale negativo del diffusore deve essere collegato al terminale -dell'amplificatore

Risoluzione dei problemi

La maggior parte dei problemi nei sistemi audio è dovuta a collegamenti non corretti o regolazioni errate. Se si riscontrano problemi, isolare l'area interessata, verificare le impostazioni, quindi determinarne la causa ed apportare le necessarie correzioni. Qualora non si riuscisse a risolvere il problema, provare con i suggerimenti qui riportati.

L'indicatore di accensione non si illumina

L'indicatore attorno al tasto di accensione che segnala l'attivazione dell'amplificatore dovrebbe illuminarsi quando l'apparecchio viene collegato alla rete elettrica ed acceso. Se non si illumina controllare la presa di alimentazione con un altro dispositivo elettrico, come ad esempio una lampada. Assicurarsi che la presa di alimentazione in uso non sia controllata da un interruttore disattivato.

Nessun suono

Controllare che l'indicatore di protezione non segnali l'attivazione dei circuiti, nel qual caso si veda il paragrafo seguente. Assicurarsi che i collegamenti del segnale audio siano corretti. Verificare che l'ingresso al quale viene fatto pervenire il segnale della sorgente sia effettivamente selezionato sul preamplificatore o processore e che il volume non sia azzerato. Esaminare i collegamenti tra amplificatore e diffusori.

Indicatore di protezione

L'indicatore d'accensione inizia a lampeggiare quando i circuiti di protezione intervengono spegnendo l'amplificatore. Generalmente ciò si verifica solo quando le aperture di ventilazione sono ostruite, quando c'è un problema nei collegamenti con i diffusori (cortocircuito) oppure dopo un prolungato periodo di intenso utilizzo. Spegnerne l'impianto ed attendere che l'amplificatore si raffreddi. Quindi premere e ripremere l'interruttore di accensione sul pannello frontale per resettare i circuiti di protezione. Se il problema persiste o si ripresenta subito, è probabile vi sia un difetto nel sistema o nell'amplificatore stesso.

Caratteristiche tecniche

Potenza di uscita continua su 8 ohm (20-20kHz, < 0,03% THD)	4 x 70 W/ch su 8 ohm, tutti i canali in funzione
Distorsione armonica totale (20Hz-20kHz, 8 ohm)	
In regime di potenza continua:	< 0,03%
A metà potenza continua:	< 0,03%
Ad 1W di potenza:	< 0,03%
Distorsione di intermodulazione (60Hz : 7kHz, 4:1)	< 0,03%
Fattore di attenuazione (20-20kHz, 8 ohms)	>200
Impedenza / Sensibilità di ingresso	20 kohm/1 volt
Guadagno dell'amplificatore	26 dB
Livello di sovraccarico di ingresso	5 volt
Risposta in frequenza (± 1 dB)	10 Hz - 100k Hz
Rapporto segnale rumore (HF pesato-A)	115 dB
Separazione/Crosstalk	> 50 dB
Impedenza dei diffusori	4 ohms minimum
Livello di segnale per l'attivazione automatica (with all inputs)	Segnale in ingresso 4 mV
Alimentazione	AC 120 V, 60 Hz (USA) AC 230 V, 50 Hz (Europa)
Assorbimento	300 watt
Assorbimento in standby	
Presenza di segnale	1 watt
Standby	< 0,5 watt
BTU	810 BTU / h
Dimensioni (L x A x P)	431 x 144 x 443 mm
Altezza pannello frontale	132,6 mm, 3U rack
Peso (netto)	14,9 kg

Tutte le caratteristiche dichiarate sono esatte al momento della stampa.

Rotel si riserva il diritto di apportare miglioramenti senza alcun preavviso.

Rotel e il logo Rotel HiFi sono marchi registrati della The Rotel Co. Ltd. Tokyo Japan.

Viktig säkerhetsinformation

WARNING! Försök aldrig att själv utföra service på apparaten. Anlita alltid en behörig servicetekniker för all service.

WARNING! För att undvika risk för elektriska stötar och brand, utsätt inte apparaten för vatten eller fukt. Se till att inga föremål kommer in i apparaten. Om apparaten utsätts för fukt, väta eller om främmande föremål kommer in i den, dra omedelbart ut nätkabeln ur vägguttaget. Lämna sedan apparaten till en behörig servicetekniker för översyn och eventuell reparation.

Läs alla instruktioner innan du ansluter eller använder apparaten.

Behåll denna bruksanvisning.

Följ alla varningar och säkerhetsföreskrifter i bruksanvisningen och på själva apparaten.

Följ alltid alla användarinstruktioner.

Använd inte apparaten i närheten av vatten.

Använd bara en torr trasa eller dammsugaren för rengöring av apparaten.

Ställ inte apparaten på en säng, soffa, matta eller någon liknande yta som kan blockera ventilationshålen.

Om apparaten placeras i en bokhylla eller i ett skåp måste det finnas utrymme för god ventilation.

Placera inte apparaten nära element eller andra apparater som utvecklar värme.

Inte besegra säkerhetssyftet med den polariserade eller jordade kontakten. En polariserad kontakt har två blad med ena bredare än det andra. En jordad kontakt har två blad och ett tredje jordstift. Det breda bladet eller det tredje stiftet är till för din säkerhet. Om den medföljande kontakten inte passar i ditt uttag, kontakta en elektriker för utbyte av uttaget.

Placera inte strömkabeln så att den kan bli utsatt för överkan, extrem värme eller kan skadas på annat sätt. Var extra noga med att inte skada kabelns ändrar.

Använd endast tillbehör som rekommenderats av tillverkaren.

Använd endast stereorack, konsolhyllor, stativ eller hyllsystem som rekommenderats av Rotel. Var försiktig när apparaten ska flyttas så att den inte välter.



Strömkabeln ska kopplas ur vägguttaget vid åskväder eller om apparaten inte ska användas under en längre tid.

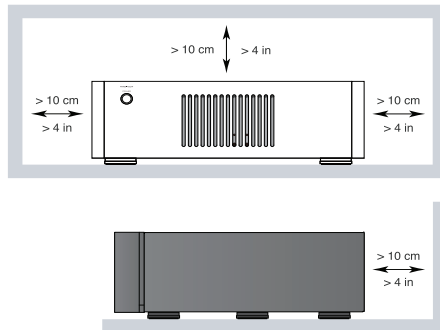
Sluta omedelbart använda apparaten och lät behörig servicetekniker kontrollera den om: strömkabeln eller kontakten har skadats; främmande föremål eller vätska har kommit in i apparaten; apparaten har blivit utsatt för regn; apparaten visar tecken på felaktig funktion; apparaten har tappats eller skadats på annat sätt.

Apparaten ska användas i icke tropiska klimat.

Ventilationen bör inte förhindras genom att täcka ventilationsöppningarna med föremål, t.ex. tidningar, bordsdukar, gardiner mm

Inga öppna flamskällor, såsom tända ljus, ska placeras på apparaten.

Se till att det alltid finns 10 cm fritt utrymme runt apparaten.



WARNING! Strömkabeln på baksidan fungerar som huvudströmbrytare. Apparaten måste placeras så att strömkabeln är åtkomlig.

Apparaten måste vara ansluten till ett vägguttag enligt specifikationen på apparatens baksida (Europa: 230 V/50 Hz, USA: 110 V/60 Hz).

Anslut endast apparaten till vägguttaget med den medföljande strömkabeln eller en exakt motsvarighet. Modifiera inte den medföljande strömkabeln. Använd inte någon förlängningskabel.

Strömkabeln och strömingången är en del av apparatens strömfunktion. För att göra apparaten helt strömlös måste kontakten dras ut ur vägguttaget och apparatens. Detta är det enda sättet att helt ta bort huvudström från apparatens.

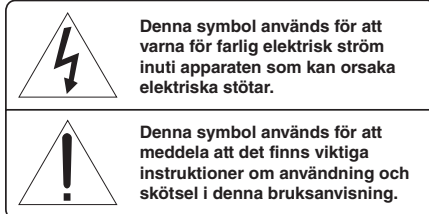
Använd klass 2-kablar till högtalaranslutningen för att minimera risken för elektriska stötar och se till att installationen blir säker.



APPLICABLE FOR USA, CANADA OR WHERE APPROVED FOR THE USAGE

CAUTION: TO PREVENT ELECTRIC SHOCK, MATCH WIDE BLADE OF PLUG TO WIDE SLOT. INSERT FULLY.

ATTENTION: POUR ÉVITER LES CHOC ÉLECTRIQUES, INTRODUIRE LA LAME LA PLUS LARGE DE LA FICHE DANS LA BORNE CORRESPONDANTE DE LA PRISE ET POUSSER JUSQU'AU FOND.



Rotels produkter är utformade för att följa de internationella direktiven RoHS (Restriction of Hazardous Substances) och WEEE (Waste Electrical and Electronic Equipment) som behandlar hur uttjänta elektriska och elektroniska produkter tas om hand. Symbolen med den överkorsade soptunnan innebär att produkterna måste återvinnas eller tas om hand enligt dessa direktiv.



Denna symbol betyder att apparaten är dubbelsolerad och inte behöver jordas.



Innehåll

Figur 1: Kontroller och anslutningar	3
Figur 2: Analog ingångar och högtalaranslutningar	4
Viktig	5
Viktig säkerhetsinformation	40
Om Rotel	41
Introduktion	41
Funktioner	41
Att tänka på	41
Placering	42
Ström och strömfunktioner	42
Ström ^[1]	42
Strömbrytare och strömindikator ^[1]	42
Av/på-lägen ^[2]	42
Ingångar för styrsignaler ^[6]	42
Utgångar för styrsignaler ^[6]	42
Säkringskrets ^[10]	42
Säkringsindikator ^[2]	42
Signalanslutningar	43
RCA-ingångar ^[4]	43
Mono-omkopplare ^[4]	43
Länka insignalerna ^[4]	43
Justering av insignaler ^[3]	43
Signalutgång länk ^[5]	43
Högtalareanslutningar	43
Val av högtalare	43
Val av högtalarkabel	43
Polaritet och fas	43
Anslutning av högtalare ^[8] ^[9]	43
Felsökning	44
Frontens strömindikator lyser inte	44
Inget ljud hörs	44
Skyddsindikatorn lyser	44
Specifikationer	44

Om Rotel

Vår historia började för mer än 50 år sedan. Under alla år sedan dess har våra produkter belönats med hundratals utmärkelser och roat hundratusentals människor som tar sin underhållning på allvar – precis som du!

Rotel grundades av en familj med ett passionerat intresse för musik. Detta ledde till en egen tillverkning av hifi-produkter med en kompromisslös kvalitet. Genom alla år har denna passion för musik, som delas av hela Rotels personal, varit oförminskad och målet har alltid varit att tillverka prisvärda produkter för både audiofiler och musikälskare, vilken budget de än har.

Rotels ingenjörer arbetar i team och har ett nära samarbete. Tillsammans lyssnar de på och finslipar varje ny produkt tills den lever upp till deras höga krav. De får välja komponenter från hela världen för att göra produkterna så bra som möjligt. I apparaterna hittar du ofta allt från brittiska och tyska kondensatorer till japanska och amerikanska halvledare samt toroidaltransformatorer som tillverkas i Rotels egna fabriker.

Vi bryr oss om miljön. Eftersom allt mer elektronik tillverkas, och så småningom kasseras, är det särskilt viktigt att tillverkare gör vad de kan för att produkterna ska få så liten inverkan som möjligt på sophantering och vattenmiljö.

På Rotel är vi stolta över att kunna bidra. Vi har reducerat blyinnehållet i vår elektronik genom att använda ett speciellt ROHS-lödtenn och komponenter utan bly. Våra ingenjörer strävar ständigt efter att förbättra nätdelens prestanda utan att kompromissa med ljudkvaliteten. I standby-läge drar Rotel-produkter minimalt med ström för att uppfylla globala Standby Power Consumption-föreskrifter.

Rotel-fabriken bidrar också till att hjälpa miljön genom att ständigt förbättra monteringsmetoderna för att tillverkningsprocessen ska bli renare och grönare.

Alla vi på Rotel är glada för att du köpt denna produkt. Vi är övertygade om att den kommer att ge dig många års njutning och glädje.

Introduktion

Tack för att du har köpt 4-kanalslutsteget Rotel RMB-1504. I en kvalitetsanläggning för musik eller hemmabio kommer det att ge dig många års musikalisk njutning.

RMB-1504 är ett sofistikerat slutsteg med fyra kanaler. Den separat utgångsenheten, den kraftfulla strömförsörjningen med toroidaltransformator, de förstklassiga komponenterna och Rotels Balanced Design garanterar en mycket hög ljudkvalitet. Den kraftiga strömförsörjningen gör att RK-650 kan driva krävande högtalare utan problem.

Funktioner

- 4-kanals slutsteg med en effekt på 70 watt per kanal i 8 ohm.
- Reglage för insignalernas nivåer på front-panelen.
- Flera Av/På-lägen: manuell, automatisk styrning via insignal eller via 12-volts styrsignal (trigger).
- Säkringskretsar med indikatorer på front-panelen skyddar mot felanvändning.
- Länkning av insignaler, mono-omkopplare och anslutningar för länkning av utsignaler för maximal flexibilitet.

Att tänka på

WARNING: För att undvika att skada din anläggning bör du stänga av ALLA komponenter innan du kopplar in högtalare eller andra komponenter. Sätt inte på komponenterna förrän du är säker på att alla anslutningar är gjorda på ett korrekt och säkert sätt. Var extra noga med högtalarkablarna. Det får inte finnas några lösa kabeltrådar som kan komma i kontakt med andra kablar eller förstärkarens hölje.

Läs denna bruksanvisning noggrant. Den ger dig grundläggande instruktioner om hur du installerar och använder slutstegen i olika anläggningar samt information om hur du får ett så bra ljud som möjligt. Om du har några frågor är du alltid välkommen att kontakta din Rotel-återförsäljare. Alla vi på Rotel uppskattar dina frågor och synpunkter.

Spara kartongen och allt packmaterial så att du kan använda detta vid ett senare tillfälle. Att skicka eller flytta slutstegen i en annan förpackning kan skada den allvarligt.

Om du ingår i rutan, fyll i ägarens registreringskort eller registrera dig på rad. Spara också diit originalkvitto från köptillfället. Det är det bästa beviset

för när du köpt förstärkaren, vilket kan vara viktigt om du behöver lämna in den för garantiservice.

Placering

RMB-1504 alstrar värme vid normal användning. Kylflänsarna och ventilationshålen är utformade för att leda bort värme. Täck inte över ventilationshålen. Se till att det finns 10 cm fritt utrymme runt om apparaten och att det finns utrymme för god ventilation, så att den inte överhettas.

Tänk på förstärkarens vikt när du väljer placering. Se till att apparatens vikt kan bäras av hyllan eller bänken den ställs på. Vi rekommenderar att du placerar slutsteget i en möbel som är utformad för stereokomponenter. Sådana möbler är byggda för att minimera eller eliminera vibrationer som kan påverka ljudkvaliteten. Kontakta din Rotel-återförsäljare om du vill ha hjälp med installationen och med att välja hifi-möbel.

Ström och strömfunktioner

Ström ¹¹

Ditt slutsteg är fabriksinställt för de strömspecifikationer som gäller i det land du köpte den i (Europa 230 V/50 Hz och USA 115 V/60 Hz). Fabriksinställningen finns utmärkt med en dekal på apparatens baksida.

OBS! Om du flyttar din förstärkare till ett annat land går det att konfigurera om den så att den passar för ett annat elnät. Försök inte göra detta själv. Om du öppnar RMB-1585 så riskerar du att få kraftiga stötar. Kontakta en behörig servicetekniker eller din Rotel-återförsäljare för mer information.

OBS! Vissa produkter är avsedda för flera olika länder och säljs därför med fler än en nätkabel. Använd endast den som passar vägguttagen i ditt land.

På grund av RMB-1504:s relativt höga effekt kan den dra mycket ström. Därför bör den anslutas direkt till ett polariserat vägguttag med den medföljande kabeln eller annan högströmskompatibel kabel enligt rekommendation från din auktoriserade Rotel-återförsäljare. Använd inte någon förlängningskabel. Du kan använda en kraftig grendosa, men bara under förutsättning att den klarar att lämna den ström som förstärkaren (och övriga komponenter) behöver.

Se till att strömbrytaren ¹ på fronten är i läge "av" (knappen är inte intryckt). Anslut sedan strömkabeln till nätbrunnen ¹¹ på förstärkarens baksida.

Om du kommer att vara bortrest en längre tid är det en lämplig försiktighetsåtgärd att dra ut förstärkarens strömkabel ur vägguttaget.

Strömbrytare och strömindikator ¹

Strömbrytaren sitter på fronten. Tryck på strömbrytaren för att slå på förstärkaren. Ringen runt brytaren börjar då lysa, vilket talar om att förstärkaren är påslagen. Tryck på strömbrytaren en gång till för att stänga av förstärkaren.

OBS! Om det blå ljuset runt strömbrytaren är för starkt kan du täcka för det med den självhäftande ringen.

Av/på-lägen ⁷

RMB-1504 kan slås på och stängas av på tre olika sätt. Dessalägen väljs genom att använda brytaren på baksidan på följande sätt:

- **Med brytaren i läge "OFF":** Förstärkaren slås på och av med strömbrytaren på förstärkarens front. Använd även detta läge om du slår på och av förstärkaren genom att bryta strömmen från vägguttaget.
- **Med brytaren i läge "SIGNAL SENSE":** Förstärkaren slås på automatiskt när det kommer en insignal. Förstärkaren återgår till viloläge ett par minuter efter det att signalerna upphör. Strömbrytaren på fronten fungerar fortfarande och måste vara i läge "ON" för att signalavkänningen ska fungera. Om strömbrytaren står i läge "OFF" är förstärkaren avslagen, oavsett om den får någon signal eller inte.
- **Med brytaren i läge "12V TRIG":** Förstärkaren slås på automatiskt av en 12-volts styrsignal i ingången till vänster om brytaren på baksidan. Förstärkaren återgår till viloläge om den inte får någon styrsignal. Strömbrytaren på fronten fungerar fortfarande och måste vara i läge "ON" för att signalavkänningen ska fungera. Om strömbrytaren står i läge "OFF" är förstärkaren avslagen, oavsett om den får någon signal eller inte.

Ingångar för styrsignaler ⁶

Ingången märkt "12V TRIG IN" används för att ansluta en 12-volts styrsignal från en Rotel förstärkare eller surroundprocessor, som sedan styr om förstärkaren ska slås på eller av. För att använda denna funktion måste brytaren till höger stå i vänstra läget (se föregående stycke).

TRIGGER INPUT-ingången kan ta emot en signal (likström eller växelström) som ligger mellan 3 volt och 30 volt via en kabel som har 3,5-millimeters minijack-pluggar. Styrsignalen överförs i pluggens yttersta del.

Utgångar för styrsignaler ⁶

Utgången som är märkt "12V TRIG OUT" används för att "länka" vidare en 12-voltssignal till en annan Rotel-förstärkare. Denna utsignal är bara tillgänglig om det finns en insignal ansluten till "12V TRIG IN"-ingången.

Säkringskrets ¹⁰

Förstärkarens elektriska kretsar skyddas av en 16-ampères säkring på baksidan. Säkringen löses i normala fall bara ut när ett fel uppstår som gör att förstärkaren drar för mycket ström. Du kan återställa säkringen genom att trycka på knappen. Om säkringen löser ut flera gånger kontaktar du din Rotel-återförsäljare och får hjälp med felsökning.

Säkringsindikator ²

RMB-1504 skyddas av säkrings- och värmekretsar mot extrem eller felaktig användning. Till skillnad från liknande konstruktioner är dessa skyddskretsar inte beroende av ljudsignalen och påverkar därför inte ljudkvaliteten. Säkringskretsarna känner i stället av temperaturen på utgångsenheterna och stänger av slutsteget om den blir för hög.

Troligtvis kommer du aldrig att se skyddskretsarna arbeta. Om något fel mot förmodan skulle uppstå slutar förstärkaren att spela och en eller flera "PROTECTION" lampor på frontpanelen tänds.

Om detta händer stänger du av förstärkaren och låter den kyla av i ett par minuter. Försök sedan att lokalisera felet och rätta till det. När du sedan sätter på förstärkaren igen nollställs skyddskretsarna och indikatorn på fronten bör slockna, vilket tyder på att förstärkaren slagits på som vanligt.

I de flesta fall aktiveras säkringskretsarna om något fel har uppstått. Detta kan till exempel vara en kortsluten högtalarkabel eller otillräcklig ventilation som orsakar överhettning. I mycket sällsynta fall kan säkringskretsarna även aktiveras av högtalare med extremt låg impedans.

Om skyddskretsarna löser ut upprepade gånger och du inte kan hitta och åtgärda felet, kontaktar du din auktoriserade Rotel-återförsäljare så hjälper de dig med felsökningen.

Signalanslutningar

RMB-1504 har anslutningar för vanliga, obalanserade RCA-kontakter som är en vanlig typ av kontakter som används i nästan all ljudutrustning.

Det finns också en uppsättning "SIGNAL OUTPUT LINK"-utgångar som överför insignalen till de båda "A"-kanalerna till andra apparater. Insignalen till de båda "A"-kanalerna kan länkas automatiskt till "B"-kanalerna så att det inte behövs någon separat signalkabel till dessa i stora anläggningar där RMB-1504 används för att driva flera par högtalare med samma stereosignal.

OBS! För att undvika kraftiga ljud som kan vara skadliga bör du se till att anläggningen är avstängd när du gör alla anslutningar.

RCA-ingångar 4

Det finns en RCA-ingångar för vart och ett av de två paren förstärkarkanalerna. Dessa tar emot signaler från en förförstärkare eller surroundprocessor. Använd signalkablar av hög kvalitet för högsta prestanda.

För varje par kanaler ansluter du signalen från vänster kanal på förförstärkaren till "LEFT" ingången på RMB-1504, och signalen från höger kanal till "RIGHT"-ingången. Se till att omkopplaren till höger om RCA-ingångarna står i "STEREO"-läget.

Mono-omkopplare 4

När omkopplaren MONO står i ON-läget ansluts vänster kanals insignal "A" till den högra kanalen.

Länka insignalerna 4

Du kan länka insignalerna till grupp "B" till "A"- insignalerna genom att ställa omkopplaren till höger om varje par insignaler till "LINK"-läget. Du behöver sedan inte förse kanalerna med signaler via någon signalkabel. Insignalen till grupp "A"-ingångarna överförs till de länkade kanalerna så att du kan använda fyra förstärkarkanalerna med samma stereosignal.

Justering av insignaler 3

Du kan ställa in nivån på insignalen med de två reglagen på frontpanelen. Med hjälp av dessa kan du justera förstärkningen så att den passar till andra komponenter i anläggningen. "A"-reglaget styr de båda "A"- kanalerna, "B"-reglaget styr de båda "B"- kanalerna.

Använd en liten skruvmejsel för att ställa in reglagen. Skruva medsols för att höja nivån och motsols för att sänka nivån.

Signalutgång länk 5

"SIGNAL OUTPUT LINK"-utgången kan användas för att överföra insignalerna till "A" ingångarna vidare till annan utrustning, till exempel om du vill använda flera slutsteg för att driva många högtalare. Du ansluter i så fall RMB-1504 till ett annat slutsteg med hjälp av en signalkabel med RCA-kontakter.

OBS! Insignalerna från "A"-kanalerna kan även länkas till "B"-kanalerna genom att sätta "INPUT SELECT"-omkopplarna till "LINK"-läget.

Högtalareanslutningar

RMB-1504 har två uppsättningar högtalarterminaler, en för varje par högtalarkanalerna.

Val av högtalare

Vi rekommenderar högtalare som har nominell impedans på 4 ohm eller högre till RMB-1504. Du bör vara försiktig med att driva flera par högtalare parallellt eftersom den effektiva impedansen då halveras för förstärkaren. Om två par 8-ohms högtalare till exempel drivs samtidigt "ser" förstärkaren en 4-ohms last. Om du vill driva flera högtalare parallellt bör du välja högtalare som har nominell impedans på minst 8 ohm. Högtalarimpedanser är inte så exakta, och i praktiken klarar RMB-1504 de flesta högtalare. Om du har några frågor är du välkommen att kontakta din Rotel-återförsäljare.

Val av högtalarkabel

Använd en skärmad och tvåledad högtalarkabel för att ansluta dina högtalare. Högtalarkabelns storlek och kvalitet påverkar anläggningens ljudkvalitet. En standardkabel kan fungera, men kan också minska utsignalens styrka och dämpa basåtergivningen, särskilt i anläggningar med långa kablar. Rent allmänt fungerar grövre kablar bäst. För bästa resultat bör du överväga att skaffa högtalarkablar av hög kvalitet. Din Rotel-återförsäljare kan hjälpa dig att välja rätt kablar till din anläggning.

Polaritet och fas

När du ansluter högtalarkablarna måste du se till att polariteten blir rätt. Plus- och minusledningarna måste sitta på rätt ställe på alla förstärkarkanalerna och högtalare. Om polariteten i någon anslutning av misstag blir omvänd, minskas basåtergivningen och stereoperspektivet försämras. Alla kablar är märkta så att du kan se vilken ledare som är vilken – det kan till exempel finnas en färgmarkering eller en fasad kant på den ena ledaren, eller så kan kabeln vara genomskinlig och ha olika färger på själva ledarna (koppar och silver). Var konsekvent när du ansluter kablarna och använd alltid samma markering för polaritet både på högtalarna och på förstärkaren.

Anslutning av högtalare 8 9

OBS! Följande text beskriver anslutningar med både avskalad kabel och kabelkontakter. Använd INTE båda typerna av anslutning samtidigt för att ansluta fler högtalare.

Stäng av alla komponenter i anläggningen innan du kopplar in högtalarna. RMB-1504 har färgkodade anslutningar för varje förstärkarkanal. Högtalarterminalerna tar emot avskalad kabel samt banan- eller spadkontakter (utom i EU, där banankontakter inte är tillåtna).

Dra kablarna från förstärkaren till högtalarna. Se till att varje kabel är tillräckligt lång för att du ska kunna flytta komponenterna och komma åt anslutningarna på baksidan.

Om du använder banankontakter skruvar du på dem på högtalarkabeln och pluggar in dem i högtalarterminalerna. Terminalhylsorna ska vara helt inskruvade (medsols).

Om du använder spadkontakter fäster du dem på ledarna. Om du använder avskalad kabel direkt i högtalarterminalerna så separerar du ledarna och skalar av isoleringen. Var noga med att du inte skalar av själva koppartrådarna. Skruva sedan upp terminalhylsan (motsols) och anslut spadkontakten runt terminalen eller trä den skalade kabeln genom terminalen. Skruva sedan fast terminalhylsan ordentligt.

OBS! Se till att det finns några lösa kabeltrådar som kan komma i kontakt med intilliggande kablar.

Anslut den vänstra högtalaren till högtalarterminalerna som är märkta "LEFT" och den högra högtalaren till terminalerna som är märkta "RIGHT". Upprepa detta för varje par högtalare som ansluts. Var noga med att kabelns positiva ledare ansluts till förstärkarens terminal som är märkt "+" och att den negativa ledaren ansluts till terminalen som är märkt "-".

Felsökning

De flesta problem som kan uppstå i en anläggning beror på felaktiga anslutningar eller inställningar. Om du stöter på problem försöker du lokalisera felet och kontrollerar dina anslutningar. Försök hitta orsaken till felet och gör sedan de ändringar som behövs. Om du inte får något ljud ur förstärkaren så kommer här ett par förslag på vad du kan göra:

Frontens strömindikator lyser inte

Förstärkaren får inte någon ström. Kontrollera strömkabeln och alla anslutningar. Kontrollera strömbrytaren på fronten och se till att den står i läge ON. Kontrollera nätkabeln på förstärkarens baksida och i vägguttaget.

Inget ljud hörs

Om slutsteget får ström men inte ger ifrån sig något ljud kontrollerar du skyddsindikatorn på fronten. Om den lyser läser du mer i nästa stycke. Om den inte lyser kontrollerar du alla anslutningar och inställningar på övriga komponenter i anläggningen.

Skyddsindikatorn lyser

Frontens POWER-lysdiod blinkar när säkringskretsarna har stängt av förstärkaren. Detta händer i normala fall bara om ventilationshålen är blockerade, om du använder en felaktig högtalarkabel eller om slutsteget har använts extremt mycket. Stäng av slutsteget och låt det kyla av ett tag. Tryck sedan in och ut på strömbrytaren för att återställa säkringskretsarna. Om felet inte rättas till beror det på något fel i anläggningen eller i själva slutsteget.

Specifikationer

Kontinuerlig effekt i 8 ohm (20 - 20000 Hz, < 0,03% THD)	4 x 70 watt i 8 ohm, alla kanalerna drivna
Total harmonisk förvrängning (20Hz-20kHz, 8 ohm)	
Kontinuerlig effekt:	< 0,03%
Halv effekt:	< 0,03%
1 watt:	< 0,03%
Intermodulationsförvrängning (60Hz : 7kHz, 4:1)	< 0,03%
Dämpfaktor (20-20kHz, 8 ohm)	>200
Ingångsimpedans/Ingångskänslighet	20 kohm/1,0 volt
Förstärkning	26 dB
Överlastnivå	5,0 volt
Frekvensomfång (+/- 1dB)	10 Hz - 100k Hz
Signal/brus-förhållande (IHF A)	115 dB
Kanalseparation	> 50 dB
Högtalarimpedans	4 ohms minimum
Nivå för automatisk påslagning (alla insignaler)	4 mV
Strömförsörjning	
USA	120 volt, 60 Hz
Europa	230 volt, 50 Hz
Strömförbrukning	300 watt
Strömförbrukning, standby	
Signal avkännings	1 watt
Standby	< 0,5 watt
BTU	810 BTU / h
Mått	
B x H x D	431 x 144 x 443 mm
Frontens höjd	3U / 132,6 mm
Vikt (netto)	14,9 kg

Alla specifikationer är korrekta vid tryckningen.

Rotel reserverar sig rätten att göra förbättringar utan föregående meddelanden.

Rotel och Rotels Hi-Fi-logotyp är registrerade varumärken som tillhör The Rotel Co, Ltd., Tokyo, Japan.

Важные инструкции по безопасности

ПРЕДОСТЕРЕЖЕНИЕ: Внутри нет частей, доступных для обслуживания пользователю. Доверьте обслуживание квалифицированному мастеру.

ПРЕДОСТЕРЕЖЕНИЕ: Для снижения опасности возгорания или поражения электрическим током не подвергайте данный аппарат воздействию дождя или влаги. Не допускайте попадания посторонних предметов внутрь корпуса. Если внутрь корпуса попала влага или посторонний предмет, немедленно выньте вилку шнура питания из розетки. Доставьте аппарат к квалифицированному специалисту для осмотра и возможного ремонта.

Прочитайте все инструкции.

Сохраните это руководство.

Обращайте внимание на все предупреждения.

Следуйте всем инструкциям по эксплуатации.

Не используйте данное устройство вблизи воды.

Очищайте корпус только при помощи сухой тряпки или пылесосом.

Не ставьте устройство на кровать, диван, ковер или аналогичную поверхность, которая может перекрыть вентиляционные отверстия. Если устройство размещено в книжном или стенном шкафу, там должна быть вентиляция для должного охлаждения.

Держите компонент в отдалении от батарей, калориферов, печей или любой другой аппаратуры, которая производит тепло.

Поляризованный штекер имеет два ножевых контакта, один из которых шире другого. Заземляющий штекер имеет два ножевых контакта и третий заземляющий штырь. Они обеспечивают вашу безопасность. Не отказывайтесь от мер безопасности, предоставляемыми заземляющим или поляризованным штекером. Если поставляемый штекер не подходит к вашей розетке, обратитесь к электрику для замены устаревшей розетки.

Не прокладывайте сетевой шнур там, где он может быть раздавлен, пережат, скручен, подвергнут воздействию тепла или поврежден каким-либо способом. Обращайте особое внимание на сетевой шнур вблизи штекера и там, где он входит в заднюю панель устройства.

Используйте только принадлежности, указанные производителем.

Используйте только тележку, поставку, стойку, кронштейн или полку системы, рекомендованной компанией Rotel. Будьте осторожны при перемещении устройства на подставке или стойке во избежание ранения от опрокидывания.



Сетевой шнур следует отсоединять от стенной розетки во время грозы или если устройство оставлен неиспользуемым длительное время.

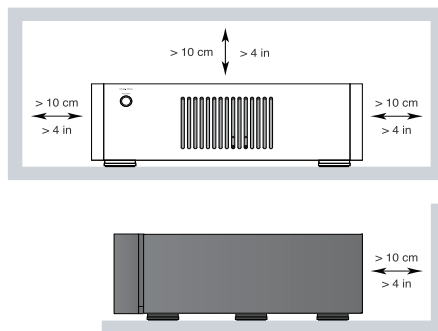
Немедленно прекратите использование компонента и передайте на обследование и/или обслуживание квалифицированной ремонтной организацией если: сетевой шнур или штекер был поврежден; внутрь устройства уронили предметы или пролили жидкость; устройство побывал под дождем; устройство демонстрирует признаки ненормальной работы; устройство уронили или повредили любым другим способом.

Устройство следует использовать в не тропическом климате.

Не следует препятствовать вентиляции, закрывая вентиляционные отверстия такими предметами, как газеты, скатерти, шторы и т. Д.

На устройстве не должно быть источников открытого огня, таких как зажженные свечи.

Оставьте не менее 10 см свободного пространства вокруг аппарата для обеспечения циркуляции воздуха.



ПРЕДОСТЕРЕЖЕНИЕ: Сетевой разъем на задней панели предназначен для быстрого отсоединения устройства от электрической сети. Устройство должно обеспечивать свободный доступ к задней панели, чтобы сетевой кабель можно было быстро выдернуть.

Сетевое напряжение, к которому подсоединяется аппарат, должно соответствовать требованиям, указанным на задней панели аппарата (США: 120 В, 60 Гц, ЕС 230 В, 50 Гц).

Подсоединяйте компонент к питающей розетке только при помощи сетевого шнура из комплекта поставки, или его точного эквивалента. Не переделывайте поставляемый шнур. Не используйте удлинители сетевого питания.

Основной штекер сетевого шнура является отключаемым от аппарата. Для полного отключения изделия от питающей сети, основной штекер сетевого кабеля следует отсоединять от сетевой розетки переменного тока а также изделия. Это единственный способ, чтобы полностью удалить сетевое питание от изделия.

Этот аппарат должен быть подключен к сетевой розетке с защитным заземлением.

Используйте кабели с защитой Class 2 при подсоединении колонок к клеммам усилителя для обеспечения надежной изоляции и минимизации риска удара электричеством.



ДЛЯ США, КАНАДЫ И ДРУГИХ СТРАН, ГДЕ УСТРОЙСТВО ОДОБРЕНО К ИСПОЛЬЗОВАНИЮ.
CAUTION: TO PREVENT ELECTRIC SHOCK, MATCH WIDE BLADE OF PLUG TO WIDE SLOT. INSERT FULLY.
ATTENTION: POUR ÉVITER LES CHOCs ÉLECTRIQUES, INTRODUIRE LA LAME LA PLUS LARGE DE LA FICHE DANS LA BORNE CORRESPONDANTE DE LA PRISE ET POUSSER JUSQU'AU FOND.



Изображение молнии в равностороннем треугольнике предупреждает пользователя о наличии внутри корпуса изделия неизолированного напряжения, величина которого может создавать опасность поражения человека электрическим током.



Изображение восклицательного знака в равностороннем треугольнике предупреждает пользователя о наличии в сопровождающей аппарат документации важных инструкций по эксплуатации и техническому обслуживанию.

Продукты Rotel спроектированы так, чтобы соответствовать требованиям международных директив по ограничению применения вредных веществ в электротехническом и электронном оборудовании (Restriction of Hazardous Substances – RoHS), также по обращению с отслужившим свой срок электротехническим и электронным оборудованием (Waste Electrical and Electronic Equipment – WEEE). Изображение перечеркнутого мусорного бачка на колесах означает также то, что эти продукты должны быть вторично использованы (рециклированы) или же обработаны в соответствии с упомянутыми выше директивами.



Этот символ означает, что устройство имеет двойную изоляцию. Заземление не требуется.



Содержание

Рисунок 1: Органы управления и разъемы	3
Рисунок 2: Аналоговые входы и выходы на колонки	4
Важные замечания	5
Важные инструкции по безопасности	45
О компании ROTEL	46
Первые шаги	46
Примечание: Основные характеристики	46
Некоторые меры предосторожности	46
Размещение	47
Питание и управление	47
Вход сети переменного тока [11]	47
Выключатель питания и индикатор питания [1]	47
Переключатель режима автоматического включения/выключения [7]	47
+12 В Триггерный вход [6]	47
+12 В Триггерный выход [6]	48
Устройство отключения [10]	48
Схемы защиты [2]	48
Разъемы для сигналов	48
Входы RCA [4]	48
Переключатель MONO [4]	48
Сопряжение входов [4]	48
Управление входным уровнем [3]	48
Ответвление выходного сигнала [5]	48
Подсоединение акустических систем	49
Выбор колонок	49
Выбор акустического кабеля	49
Полярность и фазировка	49
Присоединение акустических систем [6] [9]	49
Обнаружение и устранение неисправностей	49
Индикатор питания на передней панели не светится	49
Нет звука	49
Индикатор защиты	49
Технические характеристики	50

О компании ROTEL

История нашей компании началась почти 50 лет назад. За прошедшие десятилетия мы получили сотни наград за наши продукты и сделали счастливыми сотни тысяч людей, которые относятся к своим развлечениям вполне серьезно – так же, как вы!

Компания Rotel была основана семейством, чья страсть к музыке породила стремление создавать hi-fi компоненты бескомпромиссного качества. За многие годы эта страсть ничуть не ослабла, и по сей день общая цель – выпускать продукты исключительной ценности для аудиофилов и любителей музыки, независимо от их финансовых возможностей, разделяется всеми сотрудниками Rotel.

Инженеры Rotel работают как единая команда, прослушивая и тщательно доводя каждый новый продукт до такого уровня совершенства, когда он будет удовлетворять их строгим музыкальным стандартам. Им предоставлена свобода выбора комплектующих по всему миру, чтобы сделать аппарат как можно лучше. Вероятно, вы сможете найти в наших аппаратах отборные конденсаторы из Великобритании и Германии, полупроводники из Японии и США, однако тороидальные силовые трансформаторы мы изготавливаем на собственном заводе ROTEL.

Все мы заботимся об охране окружающей среды. По мере того, как все больше электронных устройств в мире выпускается, а после окончания срока службы выбрасывается, для производителя особенно важно при конструировании продуктов сделать все возможное, чтобы они наносили минимальный ущерб земле и источникам воды.

Мы в компании Rotel, гордимся своим вкладом в общее дело. Во-первых, мы сократили содержание свинца в своей электронике, за счет использования припоя, отвечающего требованиям ROHS. Наши инженеры постоянно стремятся улучшить к.п.д. блоков питания, без ущерба для качества звучания. Находясь в режиме ожидания standby, продукты Rotel используют минимальное количество энергии, чтобы удовлетворить глобальным требованиям на потребление в режиме ожидания.

Фабрика Rotel также вносит свой вклад в улучшение охраны окружающей среды путем постоянного совершенствования производственных процессов, делая их все более чистыми и «зелеными».

Все мы, сотрудники компании ROTEL, благодарим Вас за покупку этого изделия. Мы уверены, что оно доставит вам много лет удовольствия.

Первые шаги

Благодарим вас за приобретение 4-канального усилителя мощности Rotel RMB-1504. При использовании в высококачественной системе для воспроизведения музыки или домашнего кинотеатра, ваш усилитель ROTEL обеспечит многие годы удовольствия от прослушивания.

RMB-1504 является сложным 4-канальным усилителем мощности. Дискретные выходные транзисторы, солидный источник питания с тороидальным трансформатором, отборные комплектующие и сбалансированная конструкция ROTEL обеспечивают превосходное качество звучания. Способность RMB-1504 отдавать большой ток позволяет ему легко справляться с «трудными» нагрузками в виде громкоговорителей.

Примечание: Основные характеристики

- Четырехканальный усилитель мощности, 70 Вт на канал при нагрузке 8 Ом;
- На передней панели расположены регуляторы входного уровня, которые можно сконфигурировать тремя способами;
- Конфигурация включения/выключения питания по выбору пользователя: ручное, автоматическое при обнаружении сигнала, дистанционное 12-вольтовым пусковым сигналом;
- Схема защиты от короткого замыкания с индикаторами на передней панели.
- Разъемы входного соединения, входного монофонического переключателя и выходного сигнала для максимальной гибкости конфигурации системы

Некоторые меры предосторожности

ПРИМЕЧАНИЕ: Чтобы избежать возможного повреждения вашей системы, выключите ВСЕ компоненты системы при подсоединении или отсоединении акустических систем или других связанных компонентов. Не включайте компоненты системы пока не убедитесь, что все соединения выполнены правильно и надежно. Особое внимание уделите колоночным проводам. Не должно быть разломанных концов, которые.

бы касались других проводов или корпуса усилителя. Пожалуйста, прочитайте данное Руководство внимательно. Кроме основных наставлений по установке и эксплуатации, оно содержит информацию о различных конфигурациях систем на основе RMB-1555/1585 и общие соображения о том, как добиться от усилителя оптимального качества работы. Пожалуйста, обращайтесь к вашему авторизованному дилеру ROTEL за ответами на любые вопросы, которые могут возникнуть. Кроме того, любой сотрудник ROTEL с удовольствием примет ваши вопросы и комментарии.

Сохраните транспортную картонную коробку от RMB-1504 и все вложенные упаковочные материалы для дальнейшего использования. Транспортирование или перемещение RMB-1504 в любой таре и упаковке, кроме оригинальной, может привести к серьезному повреждению вашего усилителя.

Если оно включено в коробку, пожалуйста, заполните регистрационную карточку владельца или зарегистрируйтесь онлайн. Сохраните чек о продаже. Он является наилучшей регистрацией даты приобретения, которая будет востребована в случае гарантийного обслуживания, если оно когда-либо понадобится.

Размещение

RMB-1504 выделяют тепло при нормальной работе. Теплоотводы и вентиляционные отверстия в усилителе спроектированы для рассеивания этого тепла. Вентиляционные прорезы в верхней крышке корпуса должны быть свободны. Следует оставлять не менее 10 см свободного пространства вокруг корпуса прибора, а также надлежащий воздушный поток в месте установки, чтобы предотвратить усилитель от перегрева.

Кроме того, помните о весе данного усилителя, когда выбираете место для его установки. Убедитесь, что полка или стеллаж могут выдержать его вес. Рекомендуем использовать специализированную мебель для аудио компонентов. Такая мебель рассчитана на подавление вибрации, отрицательно влияющей на качество звуковоспроизведения. Обратитесь к вашему авторизованному дилеру Rotel за советами по выбору подходящей аудио мебели и установки компонентов на нее.

Питание и управление

Вход сети переменного тока ¹¹

Ваш усилитель настроен на заводе в соответствии со стандартами электрической сети в Вашей стране (120 или 230 В переменного тока и 60 или 50 Гц). Конфигурация электропитания обозначена на задней панели аппарата.

ПРИМЕЧАНИЕ: Если Вы переедете в другую страну, можно приспособить усилитель к другому сетевому напряжению. Однако не пытайтесь сделать это сами. Открыв корпус усилителя, вы можете получить удар током, опасный для жизни. Обратитесь к квалифицированному мастеру или в сервисную службу Rotel.

ПРИМЕЧАНИЕ: Некоторые продукты предназначены для продажи более чем в одной стране и поэтому поставляются с несколькими сетевыми кабелями. Используйте только тот кабель, который подходит для вашего региона.

Из-за относительно высокой выходной мощности RMB-1504 потребляет значительный ток от сети. Поэтому его следует подключать непосредственно к розетке с поляризованной стенкой, используя прилагаемый кабель или другой совместимый с высоким током кабель, как рекомендовано вашим

авторизованным дилером Rotel. Не пользуйтесь удлинителями. Можно использовать разветвитель питания высокой мощности, если он (и стенная розетка) способны выдержать суммарный ток потребления усилителя и других подключенных к нему устройств.

Убедитесь, что выключатель питания ¹ на передней панели усилителя находится в положении «отключено». Затем воткните один конец сетевого шнура в разъем ¹¹ на задней панели усилителя. После этого вставьте другой конец сетевого кабеля с вилкой в розетку.

Если Вы надолго уезжаете из дома, например, на месяц, разумно будет вынуть вилки шнуров питания усилителя и других аудио-видео компонентов системы из розеток.

Выключатель питания и индикатор питания ¹

Выключатель питания расположен на передней панели усилителя. Для включения усилителя (или для активации какого-либо режима автоматического включения), нажмите на выключатель. Светодиодный индикатор вокруг выключателя загорится, показывая, что усилитель включен. Чтобы выключить усилитель, нажмите на кнопку еще раз и верните ее в положение «выключено».

ПРИМЕЧАНИЕ: Если свечение синего кольцевого индикатора вокруг выключателя покажется вам слишком ярким, можно залепить его самоклеющимся кольцом.

Переключатель режима автоматического включения/выключения ⁷

RMB-1504 обеспечивает три различных возможности для ручного или автоматического включения/выключения питания. Эти режимы выбираются при помощи трехпозиционного движкового переключателя на задней панели:

- Когда данный переключатель находится в положении OFF, усилитель включают и выключают вручную при помощи кнопки на передней панели. Этот режим также используйте, если ваша розетка переменного тока снабжена выключателем для управления подачей питания на усилитель;
- Когда переключатель находится в положении SIGNAL SENSE, усилитель включается автоматически при обнаружении сигнала на входах. Усилитель перейдет в ждущий режим через несколько минут после исчезновения сигнала. Кнопка на передней панели блокирует эту функцию. Она должна быть в положении ON, чтобы схема обнаружения сигнала работала. Переключение кнопки в положение OFF отключает питание от усилителя, независимо от того, присутствует сигнал или нет;
- Когда переключатель находится в положении 12V TRIG, усилитель включается автоматически при появлении 12-вольтового сигнала на входе 12V TRIG слева от переключателя. Усилитель переходит в ждущий режим, если 12-вольтовый сигнал отсутствует. Кнопка POWER SWITCH на передней панели блокирует эту функцию. Она должна находиться в положении ON, чтобы 12-вольтовый запускающий сигнал работал. Переключение кнопки в положение OFF отключает питание от усилителя, независимо от того, присутствует запускающий сигнал или нет.

+12 В Триггерный вход ⁶

Входное гнездо для присоединения кабеля, несущего 12-вольтовый запускающий сигнал от предварительного усилителя ROTEL или процессора окружающего звука, предназначенного для включения и выключения усилителя. Чтобы реализовать эту функцию, соседний

движковый переключатель должен находиться в левом положении (см. предыдущий раздел).

Запускающий вход TRIGGER INPUT принимает любой управляющий сигнал (переменного или постоянного тока) в диапазоне от 3 до 30 вольт. Использует кабель с монофоническими 3,5-мм «миниджеками» с обоих концов. Сигнал +12 В появляется на «кончике» разъема.

+12 В Триггерный выход ⁶

Гнездо, обозначенное 12V TRIG OUT, используется для пропускания дистанционного сигнала включения на второй усилитель ROTEL. Любой запускающий сигнал 12 В на входном гнезде будет передан на выходное гнездо.

Устройство отключения ¹⁰

Сетевой предохранитель на задней панели защищает электрические схемы усилителя. В общем случае, размыкатель цепи сработает только при неисправном состоянии, которое приводит к избыточному потреблению тока. Если он постоянно размыкается, обратитесь к вашему авторизованному дилеру ROTEL за поддержкой в диагностике неисправности.

Схемы защиты ²

RMB-1504 оснащены схемами защиты, в том числе тепловой и от превышения тока нагрузки, которые предотвращают потенциальное повреждение усилителя в случае экстремальных ситуаций или состоянии отказа. В отличие от многих других усилителей, эти схемы защиты независимы от аудио сигнала и не влияют на качество воспроизведения звука. Вместо этого, схема защиты отслеживает температуру выходных транзисторов и отключает усилитель, если она превышает безопасные пределы.

Скорее всего, вы никогда не увидите, как работает схема защиты. Однако при возникновении отказа усилитель прекращает воспроизведение и один или более светодиодов PROTECTION LEDS загорятся на передней панели.

Если это случится, выключите усилитель, дайте ему остыть несколько минут и попытайтесь обнаружить и исправить проблему. Для каждой пары каналов существуют свои индикаторы, которые могут помочь в определении причины неисправности. Когда вы включаете усилитель снова, схема защиты автоматически сбрасывается и индикаторы гаснут, что усилитель включился нормально.

В большинстве случаев, схема защиты активируется в результате неисправности, такой как короткое замыкание в акустическом кабеле или недостаточная вентиляция. В очень редких случаях, срабатывание схемы защиты может обусловить высокая реактивность или чрезвычайно низкий импеданс громкоговорителя нагрузки.

Если схема защиты срабатывает повторно, и вы не можете выявить и устранить неисправность, свяжитесь со своим дилером ROTEL для помощи в поиске неисправности.

Разъемы для сигналов

RMB-1504 имеют обычные стандартные, небалансные входные разъемы типа RCA (какие можно найти почти во всем аудио оборудовании).

Существует также пара разъемов SIGNAL OUTPUT LINK для передачи входного сигнала, подключенного к паре каналов «А», на другое звуковое оборудование. Дополнительно, входной сигнал пары каналов «А» может быть автоматически присоединен к входам каналов «В», чтобы для этих каналов

не требовался отдельный входной кабель, например, в большой системе, где RMB-1504 используется для работы с несколькими громкоговорителями.

ПРИМЕЧАНИЕ: Для предотвращения потенциально опасных громких звуков убедитесь, что усилитель выключен при подключении входных сигналов.

Входы RCA ⁴

См. рисунок 2

Для каждой из двух пар каналов усилителя существуют один входа RCA. Эти входы принимают звуковые сигналы от предварительных усилителей или процессоров окружающего звука. Для обеспечения наилучших параметров, используйте звуковые межблочные кабели высокого качества.

Для каждой пары каналов усилителя, присоедините выход левого канала вашего предварительного усилителя к входу LEFT INPUT усилителя RMB-1504. Выход правого канала предварительного усилителя присоедините к входу RIGHT INPUT. Обеспечьте, чтобы переключатель INPUT SELECT находился в положении STEREO.

Переключатель в режим Моно ⁴

Когда переключатель MONO находится в положении ON, вход «А» левого канала соединен с правым каналом.

Сопряжение входов ⁴

Вы можете присоединить входы для группы «В» к входам «А», передвинув переключатель INPUT SELECT для этой группы в положение LINK. В этом положении, для данной группы не требуется входное соединение. Входной сигнал группы «А» передается на сопряженную пару каналов, позволяя вам использовать четыре каналов усилителя с одним источником входного стерео сигнала.

Управление входным уровнем ³

Подстройку входного уровня обеспечивают два органа управления на передней панели – по одному для каждой пары каналов. Они позволяют вам отрегулировать коэффициент передачи усилителя, чтобы он соответствовал другим компонентам данной системы. Регулятор уровня каналов «А» изменяет коэффициент передачи каналов «А»; «В» изменяет коэффициент передачи каналов «В».

Для подстройки используйте небольшую отвертку с плоским шлицом. Поверните регулятор по часовой стрелке для увеличения коэффициента передачи. Поверните регулятор против часовой стрелки для уменьшения коэффициента передачи.

Ответвление выходного сигнала ⁵

Пара разъемов RCA может быть использована для передачи необработанных входных сигналов на другой звуковой компонент, например, для каскадирования дополнительного усилителя, работающего на второй комплект громкоговорителей. Входные сигналы, присоединенные к каналам «А», доступны также для передачи на эти выходы LINK.

ПРИМЕЧАНИЕ: Эти входные сигналы от каналов «А» можно также присоединить к входам «В» и/или «С» при помощи переключателя INPUT SELECT, связанного с данной парой каналов в положении LINK.

Подсоединение акустических систем

Усилитель мощности RMB-1504 имеет два группы разъемов для громкоговорителей, по одной для каждой пары каналов усилителя.

Выбор колонок

Мы рекомендуем колонки, номинальное входное сопротивление которых, присоединенных к каждому каналу RMB-1504, не должно быть меньше 4 Ом. Как правило, только одна колонка должна подсоединяться к каждой паре выходных разъемов. Если к ней присоединить в параллель две колонки, импеданс нагрузки для усилителя снизится вдвое. Например, подключив две пары 8-омных колонок, мы получим для усилителя нагрузку всего 4 Ома. Поэтому при желании подсоединить две колонки в параллель на выходы RMB-1504, выберите АС с номинальным импедансом 8 Ом или более. Учтите, что паспортные значения импеданса АС не слишком точны. Тем не менее, на практике лишь немногие колонки могут представить какую-то проблему для RMB-1504. Если у вас есть вопросы, обращайтесь к авторизованному дилеру Rotel.

Выбор акустического кабеля

Используйте изолированный двухпроводной скрученный кабель для присоединения RMB-1504 к громкоговорителям. Размер и качество провода имеют заметное на слух влияние на параметры системы. Стандартный акустический кабель будет работать, но может привести к снижению громкости или ослаблению низких частот, особенно на больших расстояниях. В общем случае, более толстый кабель улучшает звучание. Для наилучших параметров, вы можете применить специальные акустические кабели высокого качества. Ваш авторизованный дилер ROTEL может помочь вам в выборе соответствующих кабелей для вашей системы.

Полярность и фазировка

Полярность или положительная/отрицательная ориентация соединений для каждого громкоговорителя должны быть согласованы, чтобы все громкоговорители были в фазе. Если полярность одного соединения по ошибке сделана обратной, звучание низких частот будет очень слабым, а стереокартина деградирует. Все акустические кабели промаркированы, чтобы вы могли отличить два проводника. Это может быть полоса или рифление на изоляции одного проводника. Кабель может иметь прозрачную изоляцию с проводниками разного цвета (медный и серебряный). Это могут быть и метки полярности, напечатанные на изоляции. Определите положительный и отрицательный проводники и согласуйте с каждым разъемом громкоговорителя и усилителя.

Присоединение акустических систем

ПРИМЕЧАНИЕ: далее описывается подсоединение к винтовым клеммам и к вставным разъемам. НЕ ИСПОЛЬЗУЙТЕ оба метода одновременно с целью подключения нескольких акустических систем.

Отключите все компоненты, прежде чем подсоединять колонки. Усилитель мощности RMB-1504 имеет по две пары винтовых клемм с цветовой маркировкой – по две на каждый канал. Эти разъемы принимают зачищенный провод, наконечники типа «лопатка» или «банан» (за исключением европейских стран, где их применение запрещено).

Проложите провода от усилителя к колонкам. Оставьте для себя достаточный запас, чтобы иметь возможность перемещения компонентов с целью доступа к разъемам громкоговорителей.

Если вы применяете двойные штекеры – «бананы», присоедините их к проводам и затем вставьте в разъемы для громкоговорителей. Зажимные

втулки разъемов громкоговорителей должны быть завинчены на всю длину (по часовой стрелке).

Если вы используете «лопатки», смонтируйте их на провода. Если вы присоединяете зачищенные кабели непосредственно к разъемам громкоговорителей, отделите проводники и снимите изоляцию с конца каждого провода. Будьте внимательны, чтобы не повредить токопроводящие жилы. Отвинтите (против часовой стрелки) зажимную втулку разъема громкоговорителя. Расположите наконечник вокруг оси втулки, или просуньте оголенный провод в отверстие в оси. Заверните втулку по часовой стрелке, чтобы надежно зафиксировать наконечник или провод.

ПРИМЕЧАНИЕ: Убедитесь, что отдельные «разломаченные» жилы провода не касаются соседних проводов или разъемов.

Для каждой группы каналов, присоедините левый громкоговоритель к паре разъемов с обозначением LEFT. Подключите правый громкоговоритель к разъемам с маркировкой RIGHT. Следуйте обозначениям, напечатанным надразъемами. Обеспечьте, чтобы положительный вывод громкоговорителя был присоединен к плюсовому выводу усилителя. Обеспечьте, чтобы отрицательный вывод громкоговорителя был присоединен к минусовому выводу усилителя.

Обнаружение и устранение неисправностей

Большинство трудностей в звуковых системах являются результатом плохих или неверных соединений, или неправильных управляющих настроек. Если вы столкнулись с проблемами, изолируйте область их возникновения, проверьте настройки, определите причину неисправности и сделайте необходимые изменения. Если вы не можете добиться звука от усилителя, обратитесь к советам для следующих ситуаций:

Индикатор питания на передней панели не светится

На усилитель не подается питание. Проверьте сетевые разъемы на усилителе и в розетке. Проверьте выключатель питания на передней панели. Убедитесь, что он находится в положении ON. Если используется включение 12-вольтовым запускающим сигналом, убедитесь, что запускающий сигнал присутствует в гнезде 12V TRIG IN на задней панели.

Нет звука

Если на усилитель подается сетевое напряжение, но звук не воспроизводится, проверьте индикатор защиты на передней панели. Если он светится, переходите к следующему разделу. Если нет, проверьте все ваши входные разъемы и соединения громкоговорителей, удовлетворяющие конфигурации вашей системы.

Индикатор защиты

Индикатор защиты POWER на передней панели RMB-1504 мигает, когда схемы защиты отключили усилитель. Обычно, это происходит, когда усилитель перегрелся, когда присоединен неисправный громкоговоритель или после периода работы на максимальной мощности. Выключите систему и подождите, чтобы усилитель остыл. Затем нажмите и отождимте кнопку включения питания на передней панели, чтобы сбросить приборы защиты. Если проблема не устранена или проявляется снова, значит, отказала ваша система или сам усилитель.

Технические характеристики

Продолжительная выходная мощность на нагрузке 8 Ом	4 x 70 Вт, все каналы нагружены на 8 Ом (20 Гц – 20 кГц, общие гармонические искажения менее 0,03%)
Общие гармонические искажения (20 Гц – 20 кГц, 8 Ом)	
Продолжительная паспортная мощность:	< 0,03%
1/2 паспортной мощности:	< 0,03%
Выходная мощность 1 Вт:	< 0,03%
Интермодуляционные искажения (60 Гц: 7 кГц, 4:1)	< 0,03%
Фактор демпфирования (20 Гц – 20 кГц, 8 Ом)	> 200
Входное сопротивление	20 кОм
Входная чувствительность	1,0 В
Коэффициент передачи усилителя	26 дБ
Уровень перегрузки по входу	5,0 В
Диапазон рабочих частот (± 1 дБ)	10 Гц – 100 кГц
Отношение сигнал/шум (А-взвешенное, IHF)	115 дБ
Разделение между каналами	> 50 дБ
Сопротивление громкоговорителя	минимально 4 Ом
Уровень автоматического включения (со всех входов)	входной сигнал 4 мВ
Напряжение питания	120 В, 60 Гц (США) 230 В, 50 Гц (Европа)
Потребляемая мощность	300 Вт
Потребление в Standby	
Signal Sense	1 Вт
Standby	< 0,5 Вт
БТЕ	810 БТЕ / ч
Габаритные размеры	
Ш×В×Г	431 x 144 x 443 мм
Высота передней панели	3U / 132,6 мм
Вес (нетто)	14,9 кг

Все характеристики являются точными на момент публикации.
ROTEL оставляет за собой право вносить изменения без предварительного уведомления.

Rotel и логотип Rotel HiFi являются зарегистрированными торговыми марками компании The Rotel Co, Ltd., Токио, Япония.



ROTEL®

The Rotel Co. Ltd.

Tachikawa Bldg. 1F.,
2-11-4, Nakane, Meguro-ku,
Tokyo, 152-0031
Japan

Rotel of America

54 Concord Street
North Reading, MA 01864-2699
USA
Phone: +1 978-664-3820
Fax: +1 978-664-4109

Rotel Europe

Dale Road
Worthing, West Sussex BN11 2BH
England
Phone: + 44 (0)1903 221 763
Fax: +44 (0)1903 221 525

Rotel Deutschland

Vertrieb: B&W Group Germany GmbH
Kleine Heide 12
D-33790 Halle/Westf., Deutschland
Phone: 05201 / 87170
Fax: 05201 / 73370
E-Mail: info@bwgroup.de
www.rotel-hi.de

www.rotel.com