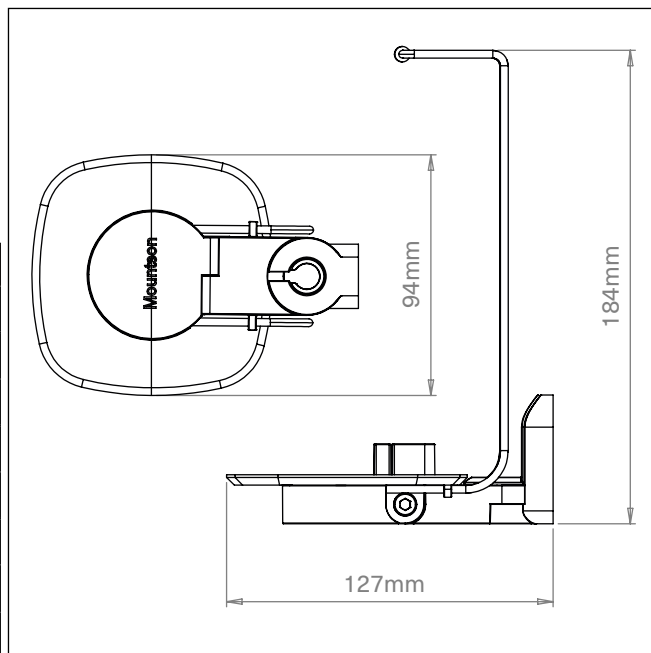


Premium Wall Mount for Sonos One, One SL and Play:1

- Best in class premium wall mount designed in the UK.
- Precision engineered cast and machined aluminium.
- Secure tight mounting holds the speaker perfectly.
- Neutral anodized silver colour compliments all Sonos One, SL or Play 1 Speakers.
- Fixing hardware included for brick/masonry and wood/ studwork.
- Tool free assembly, quick, easy installation and adjustment.
- Discrete cable management.
- Tilt up to 45 degrees down and lockable and swivel up to 45 degrees to either left or right and lockable.
- Sonos speakers can be set at the perfect listening angle for any room.
- Recyclable plastic free packaging.

MILLIMETRES/KILOGRAMS	HEIGHT	WIDTH	DEPTH	WEIGHT	
Product Size	184	94	127	0.15	
MILLIMETRES/KILOGRAMS	QTY	LENGTH	WIDTH	HEIGHT	WEIGHT
Carton (single)	1	212	147	53	0.240
Inner Transit (single)	4	447	310	85	1.26
Outer Transit (single)	20	463	328	423	7.00
Carton (pair)	TBC	TBC	TBC	TBC	TBC
Inner Transit (pair)	TBC	TBC	TBC	TBC	TBC
Outer Transit (pair)	TBC	TBC	TBC	TBC	TBC
Country of Origin	China				
Carton Contents:	Wall bracket, Wall fixings, Instructions				



CODE	NAME	EAN CODE
MS11PA	Premium Wall Mount for Sonos One, One SL and Play:1	5060888130003
MS11PAX2	2 x Premium Wall Mount for Sonos One, SL or Play:1	5060888130010