



Latest information is available through our web site and Facebook.
Access them for interviews with the world top artists and information about demonstration
events at one of our stockists, as well as detailed information on all of our products.

www.eclipse-td.com
ECLIPSE Home Audio Systems | Facebook

- Specifications and images in this catalogue may be subject to revision without prior notice.
- Product colours may differ from those published.
- The feeling of being present at the original recording can only be achieved so long as the music software reflects the recorded conditions; including microphone settings, mixing, editing and mastering.

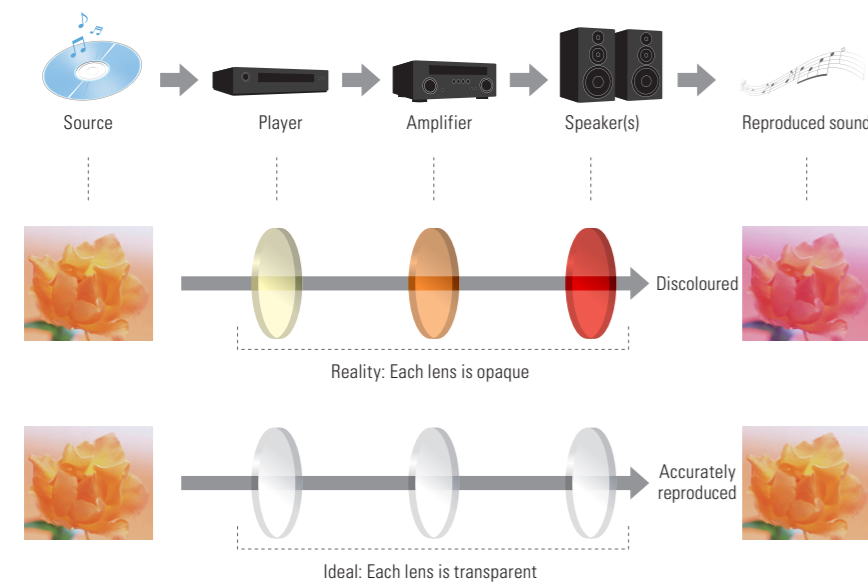


Home Audio Systems

Being transparent

When comparing an audio device to a camera lens, the ideal is to be transparent, to accurately reproduce the original colours without taking some away or adding any of our own. Our speakers aim to be completely transparent, so as to perfectly reproduce the original sound.

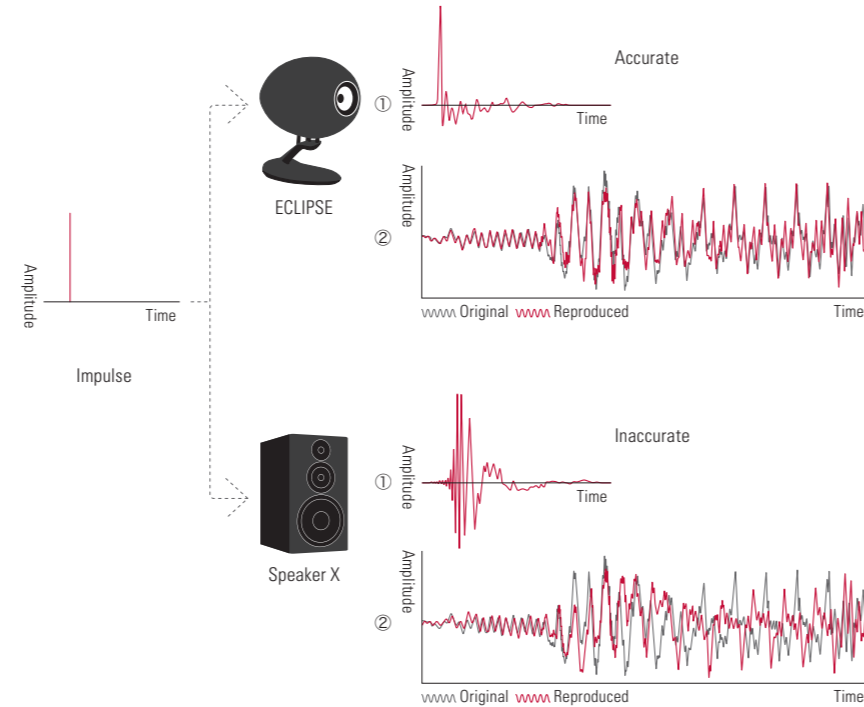
< Comparing an audio device to a camera lens >



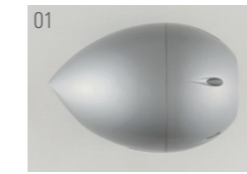
Focus on the fundamentals

When you reproduce an image, you need to ensure each single pixel works correctly. In sound, a speaker needs to be able to accurately reproduce the impulse; the minimum unit of sound that contains almost all information, such as phase characteristics and time information, as well as frequency response.

< ① Impulse responses comparison / ② Sound waveforms comparison >

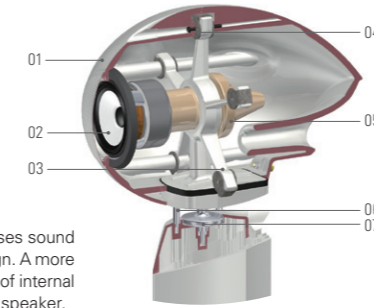


Strikingly original technologies inside and out



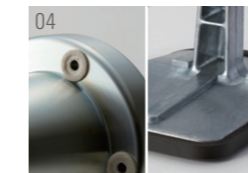
Egg-shaped form

The use of an egg-shaped, rounded form dramatically minimises sound waveform disturbance experienced with a traditional box design. A more accurate sound waveform is reproduced thanks to this control of internal standing waves and further diffraction along the front of the speaker.



Original full range driver

A compact, light and rigid driver is used in conjunction with a powerful magnetic circuit. This enables quick and highly accurate response and driver travel which is extremely hard for a larger drive unit to achieve.



Eliminating vibrations and acoustic solutions

Special materials are used to eliminate negative vibration throughout the contact points within the speaker construction and to create a guaranteed airtight enclosure.



Well damped stand

Three spikes and a unique fixing structure form the contact points between the speaker and the stand. Additionally the stand design features materials to eliminate natural vibrations and a shape to avoid interference with sound waveform reproduction.



Diffusion stay

The innovative "virtual floating structure" mounts the speaker onto a five pillar "diffusion stay" thus preventing the negative impact of unwanted vibrations from the drive unit interacting with the enclosure.



Mass anchor

Attached to the back of the driver is a zinc, cone shaped mass anchor. This gives the perfect solid support allowing ideal movement of the speaker driver when in high-speed piston action during music reproduction.



Angle adjustment function

Precise angle adjustment of the speaker is possible to allow everyone a tailor made listening position. This flexibility ensures precise spatial reproduction in any listening environment.

The 3 core values of the ECLIPSE Sound

Clarity



Hearing all the detail clearly

Through ECLIPSE TD speakers you can actually appreciate the quality of sound that makes a Stradivarius an exceptional violin. You can hear the artistry of a guitarist's fingers, manipulating the strings. Without any distortion there is more of the natural sound to experience and enjoy.

Space reproduction



Painting an accurate acoustic image of the time and space within the recording

When a speaker doesn't add its own resonance, the speaker disappears from the scene altogether and what you hear and experience is the three dimensional stereo image. Natural sound occurs in the space around you, just as it would in the best concert seat or on the set of a film.

Speed



Accurate rhythm reproduction

Rhythm depends upon recreating the precise beginning and ending of a sound. Our technology captures this pin point timing because the driver can react instantaneously to move the air, and then dampen this movement immediately for the exact timing of every note.

Significant recognition from world-class professionals



Jim Anderson
Recording Engineer

“My experience is that I’m not aware that I’m listening to speakers, only music, and that’s the highest compliment that I can give any speaker.”

Multiple Grammy Award winning recording engineer and producer for his works including ‘Best Surround Sound Album 2013’ for Patricia Barber’s ‘Modern Cool’, ex-chairman of Audio Engineering Society (2008-09)



Klaus Hiemann
Balance Engineer

“They combine the accuracy which up to now seemed to be only possible with professional headphones with all the conveniences of loudspeaker listening.”

Grammy Award winning Tonmeister, Recording Producer, ex-director of Deutsche Grammophon Recording Centre and founder of the Emil Berliner House



Michael Nyman
Composer / Pianist

“They are, quite simply, an acoustic extension of my piano. It gives me the benefit of absolutely faithful sound reproduction.”

Renowned composer of contemporary music and award-winning film scores



Akira Fukada
Recording Engineer

“The clarity and resonance of music has been captured by Eclipse TD speakers. Only they convey true music.”

Formerly chief engineer of Sony Music Entertainment and NHK (Japan Broadcasting Corporation), a surround sound recording specialist (who was responsible for developing the surround recording technique known as ‘Fukada Tree’ in 1997), an AES fellow and member of the Institute of Professional Sound

PHOTO BY Shu Tomioka



Simon Osborne
Mixer / Engineer / Producer

“These speakers sound as fantastic as they look. The stereo image is one of the best I have heard.”

Grammy Award winner for ‘Best Pop Album 1999’ for Sting’s ‘Brand New Day’



Randy Brecker
Jazz Trumpeter

“I liked the warmth and full spectrum quality of the sound. Plus they really look too cool!”

Grammy Award winner for ‘Best Contemporary Jazz Album’ in 1994, 1997, 2003 & 2008 and ‘Best Large Jazz Ensemble Album’ in 2006

Global acclaim

United Kingdom

TD510ZMK2

Stereonet, Applause Award, February 2020
Hi-Fi Critic, Audio Excellence Award, November 2019
Hi-Fi Pig, Highly Recommended, June 2019
Hi-Fi Choice, 5 Star & Editor’s Choice, September 2018

TD510MK2

AV Forums.com, Highly Recommended, January 2018
The-Ear.net, Best Buy, April 2017
Trusted Reviews.com, Recommended, March 2017

Japan

TD510ZMK2

On-gen Publishing: Gold Prize, Speaker ¥500K-¥750K Category, Pure Audio VGP 2021 Summer
On-gen Publishing: Gold Prize, Speaker ¥500K-¥750K Category, VGP 2021 Summer
On-gen Publishing: Gold Prize, Speaker ¥400K-¥600K Category, VGP 2018 Summer
On-gen Publishing: Gold Prize, Speaker ¥400K-¥600K Category, VGP 2018

TD510MK2

On-gen Publishing: Gold Prize, Speaker ¥200K-¥300K Category, VGP 2022
On-gen Publishing: Gold Prize, Speaker ¥200K-¥300K Category, VGP 2021 Summer
On-gen Publishing: Gold Prize, Speaker ¥200K-¥300K Category, Pure Audio VGP 2019 Summer
On-gen Publishing: Gold Prize, Speaker ¥200K-¥300K Category, Pure Audio VGP 2019
On-gen Publishing: Gold Prize, Speaker ¥200K-¥300K Category, Pure Audio VGP 2018 Summer

TD508MK3

On-gen Publishing: Gold Prize, Speaker ¥100K Category, VGP 2022
On-gen Publishing: Gold Prize, Speaker ¥100K Category, VGP 2021 Summer
On-gen Publishing: Gold Prize, Speaker ¥100K Category, Pure Audio VGP 2021 Summer
On-gen Publishing: Gold Prize, Compact Speaker Category, Home Theatre Grand Prix 2019
On-gen Publishing: Gold Prize, Speaker ¥100K Category, VGP 2018 Summer

TD508MK3

HiFi+, 20th Anniversary Top 100 Products, 2019
Hi-Fi World, 4 Glove, September 2018

TD307MK3

AV Forums.com, Recommended, April 2022

TD725SWMK2

The-Ear.net, The Best Hi-Fi Components of 2020, December 2020
HiFi+, 20th Anniversary Top 100 Products, 2019
Home Cinema Choice, Recommended, 2018

TD307MK3

HiVi: 1st Prize, Speaker ¥100K Category, Winter Best Buy 2021
HiVi: 1st Prize, Speaker ¥100K Category, Summer Best Buy 2021
On-gen Publishing: Gold Prize, Compact Speaker Category, Home Theatre Grand Prix 2022
On-gen Publishing: Special Grand Prize, Home Theatre Grand Prix 2022
On-gen Publishing: Gold Prize, Speaker ¥100K Category, VGP 2022
On-gen Publishing: Gold Prize, Speaker ¥100K Category, Pure Audio VGP 2022
On-gen Publishing: Gold Prize, Speaker ¥100K Category, VGP 2021 Summer
On-gen Publishing: Gold Prize, Speaker ¥100K Category, Pure Audio VGP 2021 Summer
On-gen Publishing: Special Grand Prize, Pure Audio VGP 2021 Summer

TD725SWMK2

HiVi: 1st Prize, Subwoofer Category, Winter Best Buy 2019
HiVi: 1st Prize, Subwoofer Category, Summer Best Buy 2019
HiVi: 1st Prize, Subwoofer Category, Winter Best Buy 2018
HiVi: 1st Prize, Subwoofer Category, Summer Best Buy 2018
On-gen Publishing: Gold Prize, Subwoofer Category, VGP 2022
On-gen Publishing: Gold Prize, Subwoofer Category, Pure Audio VGP 2022
On-gen Publishing: Gold Prize, Subwoofer Category, VGP 2021 Summer
On-gen Publishing: Gold Prize, Subwoofer Category, VGP 2020
On-gen Publishing: Gold Prize, Subwoofer Category, Home Theatre Grand Prix 2019
On-gen Publishing: Gold Prize, Subwoofer Category, VGP 2019 Summer
On-gen Publishing: Gold Prize, Subwoofer Category, VGP 2019
On-gen Publishing: Gold Prize, Subwoofer Category, Home Theatre Grand Prix 2018
On-gen Publishing: Gold Prize, Subwoofer Category, VGP 2018 Summer
On-gen Publishing: Gold Prize, Subwoofer Category, Pure Audio VGP 2018 Summer
On-gen Publishing: Gold Prize, Subwoofer Category, VGP 2018



TD520SW

Hi-Fi Critic, Audio Excellence Award, November 2019
Hi-Fi Choice, 5 Star & Editor’s Choice, September 2018
The-Ear.net, Best Buy, April 2017
Trusted Reviews.com, Recommended, March 2017
Hi-Fi World, 5 Glove, November 2016



TD520SW

On-gen Publishing: Gold Prize, Subwoofer Category, Home Theatre Grand Prix 2022
On-gen Publishing: Gold Prize, Subwoofer Category, VGP 2022
On-gen Publishing: Gold Prize, Subwoofer Category, VGP 2021 Summer
On-gen Publishing: Gold Prize, Subwoofer Category, VGP 2020
On-gen Publishing: Gold Prize, Subwoofer Category, VGP 2019 Summer
On-gen Publishing: Gold Prize, Subwoofer Category, VGP 2019



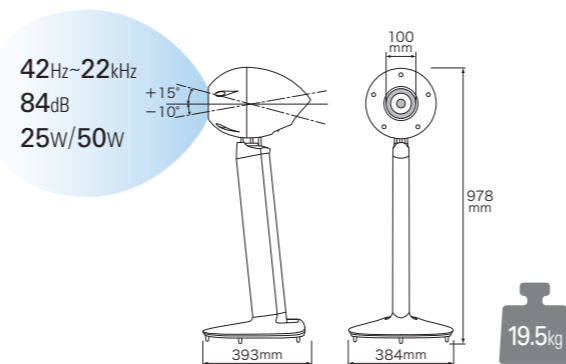
Core model with dedicated integrated stand

Equipped with an angle adjustment function that is indispensable for focussing the sound image and giving improved useability. The clear sound quality and tight bass reproduction achieves a high quality sound approaching that of our top model.

10cm Diameter Full-range Speaker System

TD510ZMK2

BK



Bookshelf type core model

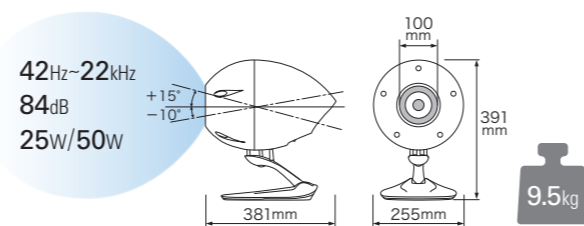
Featuring a vertical angle adjustment function, which is rare for bookshelf type speakers, it accurately reproduces recorded information such as image, depth and height wherever it is placed. A ceiling mount option is also possible using the separately sold mounting bracket, "CB1".

10cm Diameter Full-range Speaker System

TD510MK2

BK

WH



High value performance model

If you use the separately sold dedicated speaker stand "508DMK3" or the dedicated mounting bracket "CB1", it can be installed and enjoyed anywhere. It is also ideal for background music in commercial facilities where quality hospitality is demanded.

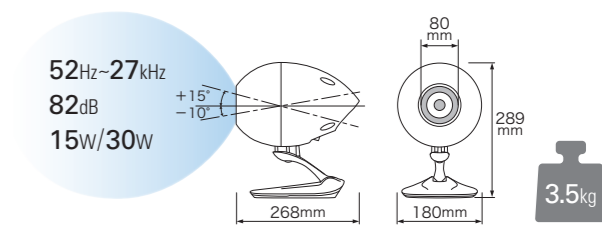
8cm Diameter Full-range Speaker System

TD508MK3

BK

WH

* Floor stand sold separately



Outstanding compact model

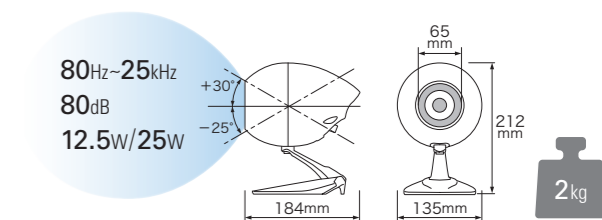
Featuring technology developed for our higher models, it reproduces clear and realistic sound that transcends the boundaries of the class. It can be mounted on the ceiling or wall without using a dedicated mounting bracket and in combination with the angle adjustment can be used in multiple applications.

6.5cm Diameter Full-range Speaker System

TD307MK3

BK

WH





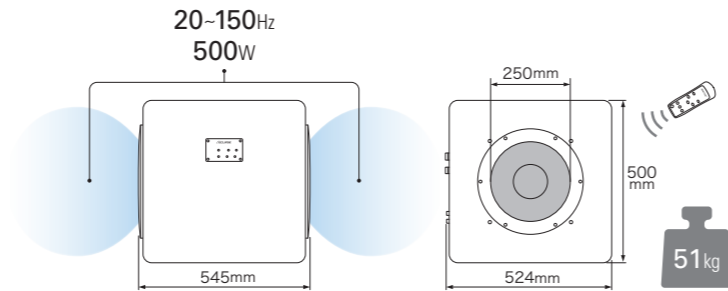
Ultra-fast drive premium subwoofer

Achieves rich, accurate and pure bass reproduction with a high-speed performance that does not lag behind the recorded sound. You can appreciate the original technology used to maximise vibration damping, meaning no negative interactions even if you touch the enclosure.

2 × 25cm Diameter Subwoofers

TD725SWMK2

BK



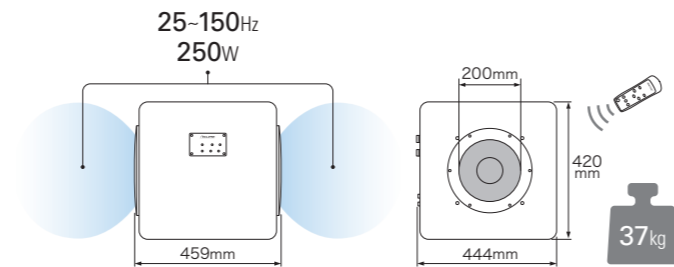
Subwoofer with excellent playback ability and size

A more compact unit that uses the same technology as the "TD725SWMK2". The range of applications is widened, regardless of whether it is stereo or surround, meaning you can more easily achieve an ideal listening environment.

2 × 20cm Diameter Subwoofers

TD520SW

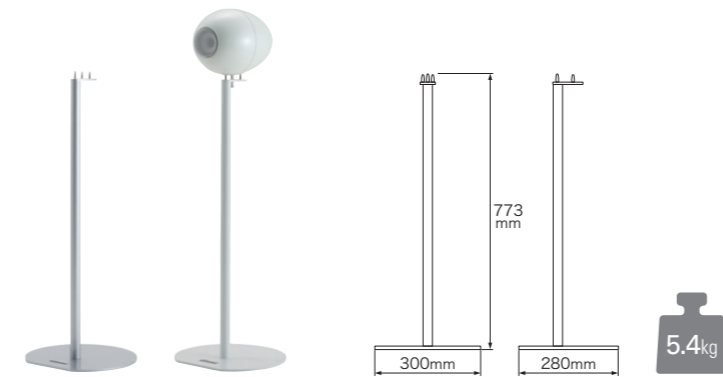
BK



Floor stand for TD508MK3

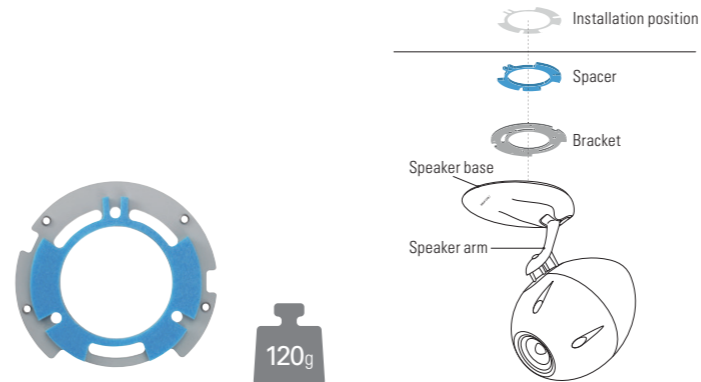
508DMK3

SV WH



Installation bracket for TD510MK2/TD508MK3

CB1



Specifications

Model	TD510ZMK2	TD510MK2	TD508MK3	TD307MK3
	10cm Diameter Full-range Speaker System	10cm Diameter Full-range Speaker System	8cm Diameter Full-range Speaker System	6.5cm Diameter Full-range Speaker System
Colour Available	Black / White	Black / White	Black / White	Black / White
Speaker Unit	10cm Diameter Full-Range, Fibreglass	10cm Diameter Full-Range, Fibreglass	8cm Diameter Full-Range, Fibreglass	6.5cm Diameter Full-Range, Fibreglass
Frequency Response	42Hz-22kHz (-10dB)	42Hz-22kHz (-10dB)	52Hz-27kHz (-10dB)	80Hz-25kHz (-10dB)
Efficiency/Sensitivity	84dB/W-m	84dB/W-m	82dB/W-m	80dB/W-m
Input Resistance (Rating/Max)	25W/50W	25W/50W	15W/30W	12.5W/25W
Impedance	6Ω	6Ω	8Ω	8Ω
Angle Adjustment	-10°~15°	On Pedestal: -10°~30° On Ceiling: 10°~75°	On Pedestal: -10°~30° On Ceiling: 10°~75° On Wall: 20°~75°	On Pedestal: -25°~30° Vertical, 360° Horizontal On Ceiling: 25°~90° Vertical, 360° Horizontal On Wall: 0°~90° Vertical, 360° Horizontal
Maximum Dimensions (mm)	W384 × H978 × D393	W255 × H391 × D381	W180 × H289 × D268	W135 × H212 × D184
Weight (per Speaker)	Approx. 19.5kg	Approx. 9.5kg	Approx. 3.5kg	Approx. 2kg
Accessories	Grille x1, Plug x5	Grille x1, Plug x5	Grille x1	Grille x1, Safety Cable x1

Model	TD725SWMK2	TD520SW
	2x25cm Diameter Subwoofers	2x20cm Diameter Subwoofers
Colour Available	Black	Black
Configuration	R2R Twin Drive-Units, Sealed Enclosure	R2R Twin Drive-Units, Sealed Enclosure
Speaker Unit	2 × 25cm Diameter Driver, Paper(Kevlar)	2 × 20cm Diameter Driver, Paper(Kevlar)
Frequency Response	20Hz-150Hz (-10dB) (at Bass Mode, L.P.F. 150Hz)	25Hz-150Hz (-10dB) (at Bass Mode, L.P.F. 150Hz)
Rated Output	500W (T.H.D. 1%)	250W (T.H.D. 1%)
L.P.F.	30Hz-150Hz (Variable, On & Off)	30Hz-150Hz (Variable, On & Off)
Phase Adjustment	0/180° (Remote Control or Front Panel)	0/180° (Remote Control or Front Panel)
Play Mode	Bass/Direct (Remote Control or Front Panel)	Bass/Direct (Remote Control or Front Panel)
Harmonic Distortion	0.05% Max (at 50Hz, 1/2 Rated Output)	0.05% Max (at 50Hz, 1/2 Rated Output)
S/N	95dB Minimum	95dB Minimum
Input	Line (Stereo) 2/Speaker Level 1 XLR (Stereo) 1 (2nd Hot)	Line (Stereo) 2/Speaker Level 1
Input Sensitivity	50mVrms (at 500W Output)	50mVrms (at 250W Output)
Input Impedance	10kΩ by Line/XLR 3kΩ by Speaker Level	10kΩ by Line/XLR 3kΩ by Speaker Level
Output	Line (Stereo) 1/Speaker Level 1	Line (Stereo) 1/Speaker Level 1
Power Consumption	110W (Stand By: 0.5W)	65W (Stand By: 0.5W)
Maximum Dimensions (mm)	W545 × H500 × D524	W459 × H420 × D444
Weight	Approx. 51kg	Approx. 37kg
Accessories	Grille x2, Remote Control x1, Power Cable x1, Felt Feet x4	Grille x2, Remote Control x1, Power Cable x1, Felt Feet x4

Model	508DMK3
	Floor stand for TD508MK3
Colour Available	Silver / White
Maximum Dimensions (mm)	W300 × H773 × D280
Weight (per Stand)	Approx. 5.4kg
Accessories	—

Model	CB1
	Installation bracket for TD510MK2/TD508MK3
Maximum Dimensions (mm)	Spacer: Diameter 110 × Thickness 5 Bracket: Diameter 131 × Thickness 1.6
Weight (per Bracket)	Approx. 120g
Accessories	Safety Cable x1