

# 137XX Piano bench - wooden-frame

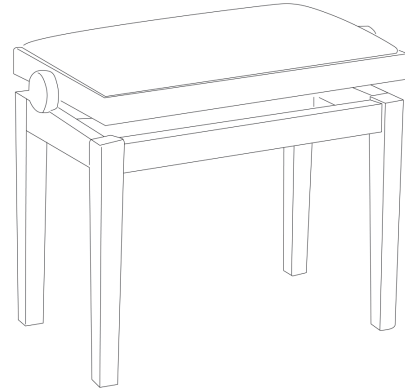
## 139XX Piano bench

## 1395X Piano bench

## 1398X Piano bench

## 13990 Piano bench

## 13995 Piano bench



Thank you for choosing this product. The instructions provide directions to all of the important set up and handling steps. We recommend you keep these instructions for future reference.

### SAFETY NOTES

Before use, make sure that the legs are firmly screwed together. If the legs are not screwed properly, it might be a reason for an accident.

This product is designed for use as a piano bench. Use for other purposes, e.g. as a stepladder, may result in accidents or injury.

To avoid accidents, the benches may only be used by one person.

Do not change anything on the crossbar mechanism inside the piano bench and do not insert your fingers between the seat and the wooden-frame during height adjustment, as this could be a reason of an accident.

### CHECK, MAINTENANCE, CLEANING

If the screws loosen during use, tighten them regularly with the supplied tool.

Regularly lubricate the spindle mechanism with oil or grease (for the adjustable piano benches). This will prolong the life of your bench and avoid annoying noises.

Do not attempt to adjust the piano bench while sitting on it. As adjustment under load causes premature wear of the crossbar mechanism.

If the piano bench has not been used for a long time, clean the crossbar mechanism well of dust and lubricate it.

