

e904

Bedienungsanleitung
Instructions for use
Notice d'emploi
Istruzioni per l'uso
Instrucciones para el uso
Gebruiksaanwijzing



 evolution

©904

High-quality dynamic microphone with cardioid pick-up pattern.

Due to its compact design, the microphone is ideal for use with drums (toms and snares). It can easily be positioned in cramped space conditions (e.g. below the cymbals) and the supplied MZH 604 microphone clamp allows to precisely attach it to the rim of the instrument.

The ©904 is also suitable for miking guitar amplifiers, percussions as well as brass and woodwind instruments.

A rugged full metal body effectively protects the microphone from impact damage.

The XLR connector turned by 45° allows the space saving positioning of the microphone in the case of angled connectors.

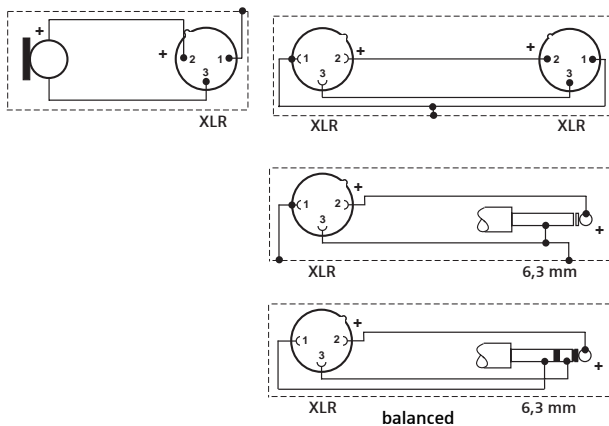
Features

- Extremely vivid, powerful sound with drums and percussions
- Sound can be shaped as needed to fit all styles of music
- Extremely rugged for rough stage use
- Humbucking coil protects against electromagnetic interference
- Gold-plated XLR connector (turned by 45°)

Delivery includes

- e904 microphone
- Pouch
- MZH 604 microphone clamp
- Instructions for use
- Warranty Certificate

Pin assignment of XLR-3 connector






Removing the sound inlet basket



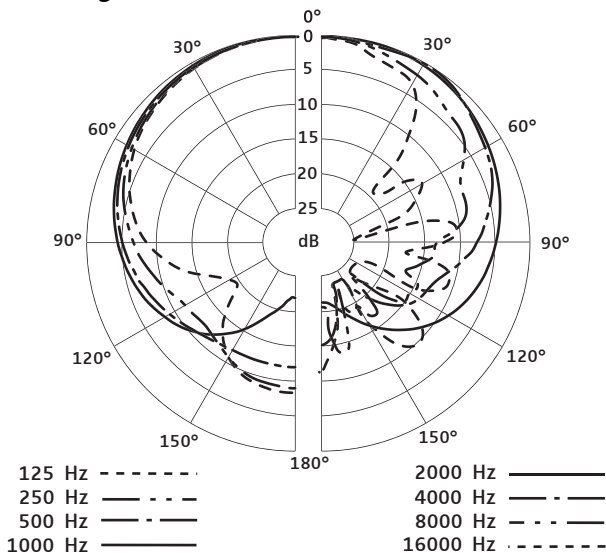
Positioning the microphone

Drums

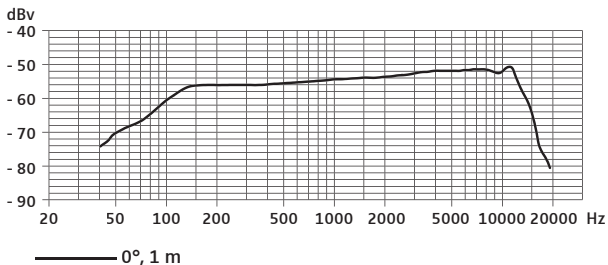
Position	Resulting sound	Commentary
	More fundamental tone, little overtones	Position on the drum: 3–5 cm above the batter head, the fundamental tone to overtones ratio can be adjusted via the angle. The most balanced results are obtained at an angle of 30–60°.
	Less fundamental tone, many overtones	
		Use of a second 904 for picking up the resonant head and the snares. If necessary, activate phase reversing for one of the microphones.

In order to prevent interference due to crosstalk between adjacent sound sources, try to position the microphone so that the interfering sound source is located in the angle area of the highest cancellation of the microphone (approx. 180°).

Polar diagram



Frequency response curve



Accessories

The following accessories are available for the 904:
MZH 604 microphone clamp (Cat. No. 05299)

Specifications

Transducer principle	dynamic
Frequency response	40 – 18,000 Hz
Pick-up pattern	cardioid
Sensitivity (free field, no load)	2.0 mV/Pa (at 1 kHz)
Nominal impedance (at 1 kHz)	350 Ω
Min. terminating impedance	1 k Ω
Connector	XLR-3
Weight	125 g
Dimensions	diam.: 41 mm, length: 63 mm

Overview of microphone applications

Anwendung	Modell											
	e901	e902	e904	e905	e906	e908B	e908B ew	e908D	e908T ew	e912	e914	e935/e945
Vocals												x
Choir										x	x	
Studio, acoustic instruments					x					x	x	
Orchestra											x	
Trumpets, Trombones			x			x			x			
Saxophone			x			x	x					
Acoustic guitar											x	
Acoustic bass											x	
Guitar amplifiers					x							
Bass amplifiers		x										
Leslie	x	x	x	x								
Piano, grand piano										x	x	
Kick Drum	x	x										
Snare Drum			x	x	x			x				
Rack toms			x	x	x	x		x				
Floor toms		x	x	x	x			x				
Congas			x		x	x		x				
Cymbals											x	
Percussion			x	x	x	x		x			x	
Overhead											x	
Conference table, altar										x		
Lectern										x		
Theater stage										x		

Manufacturer declarations

Warranty

2 years

Approval



Sennheiser electronic GmbH & Co. KG declare that this device is in compliance with the applicable CE standards and regulations.


WEEE Declaration



Please dispose of this product at the end of its operational lifetime by bringing it to your local collection point or recycling centre for such equipment.







Sennheiser electronic GmbH & Co. KG
30900 Wedemark, Germany
Phone +49 (5130) 600 0
Fax +49 (5130) 600 300
www.sennheiser.com