

ruarkaudio

R1 mk4 Bluetooth Radio
User guide

Important information about the AC power adapter

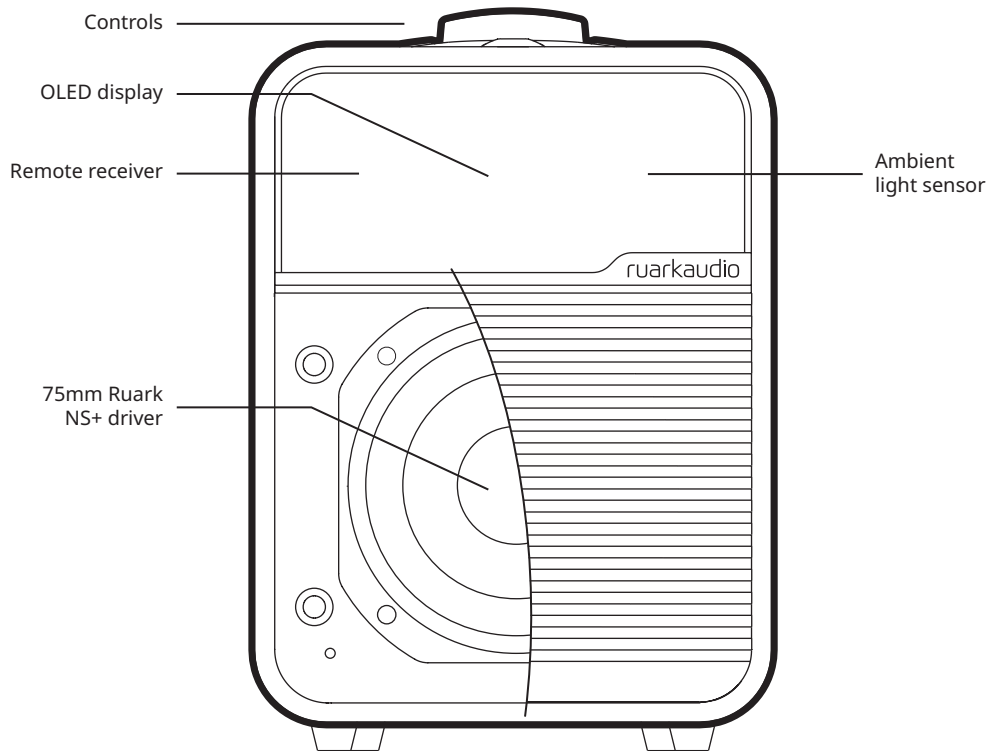
Model DYS824-140150W-K

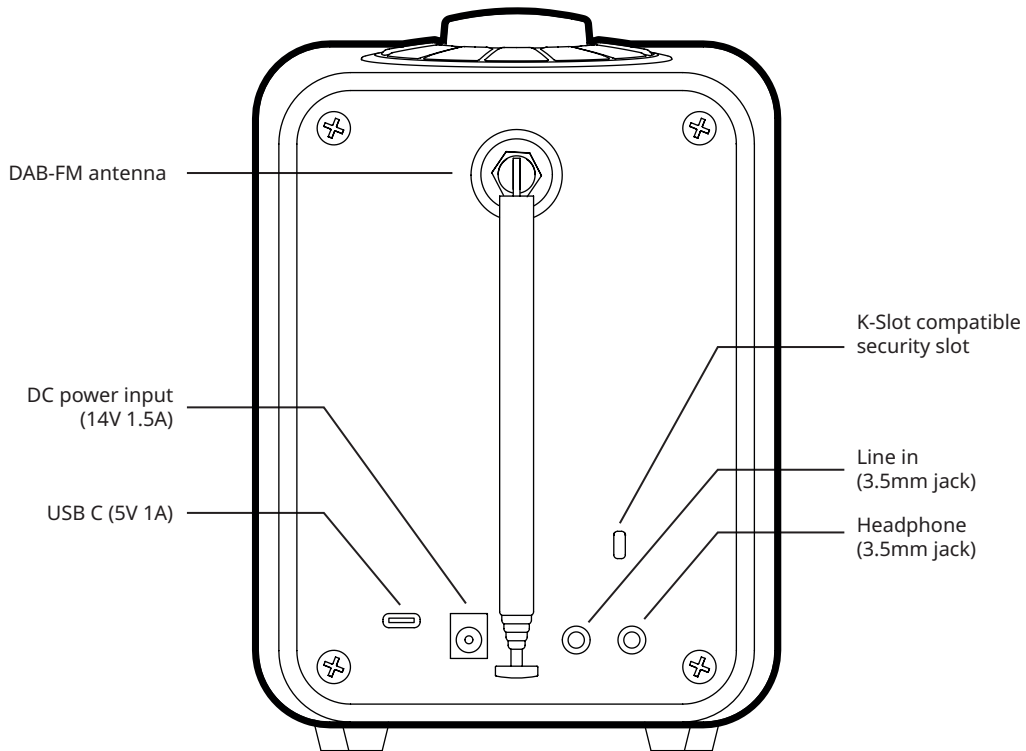
Input 100-240V~50/60Hz, 0.7A MAX

Output 14.0VDC 1.5A

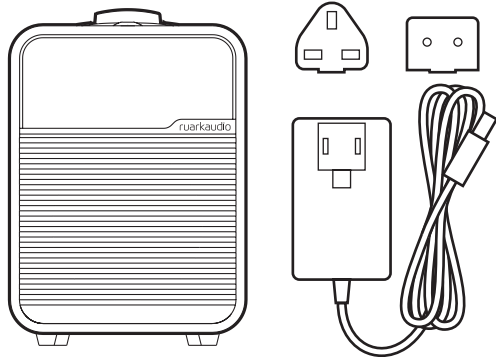
Class II, Efficiency Level VI

- This AC adapter is for audio & video equipment use only and complies with IEC 60065 safety standard.
- The supplied 3-pin plug adapter complies with BS 1363-1 and the supplied 2-pin plug adapter complies with EN 50075.
- Before using the AC adapter, ensure the mains voltage is within the rated supply voltage range.
- The output power taken from this AC adapter must not exceed its rated output power.
- DO NOT disassemble or modify the AC adapter.
- DO NOT drop or throw the AC adapter.
- The external flexible cable cannot be replaced and if the cord is damaged, the AC adapter must be replaced.
- DO NOT expose the AC adapter to dripping or splashing water, and do not place objects filled with liquids, such as vases, on or near the device.
- DO NOT leave the AC adapter in a hot location, such as near fire or under strong sunlight.
- Unplug the AC adapter during lightning storms or when unused for long periods of time to prevent damage.
- Ensure that the AC adapter is readily accessible when plugged into the mains. If an abnormal condition occurs while using it, immediately turn off the connected device and disconnect the mains adapter from the mains.
- DO NOT dispose this AC adapter as general household waste or unsorted municipal waste. Dispose of it according to local regulations.

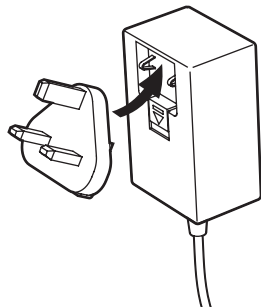




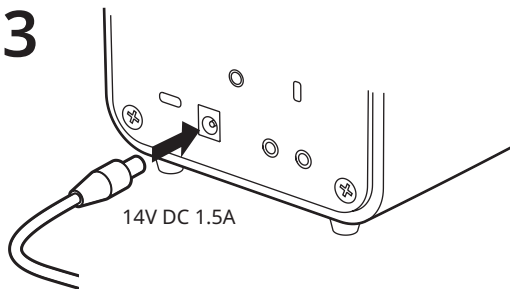
1



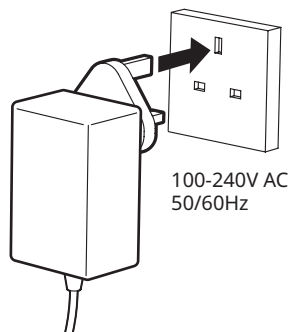
2



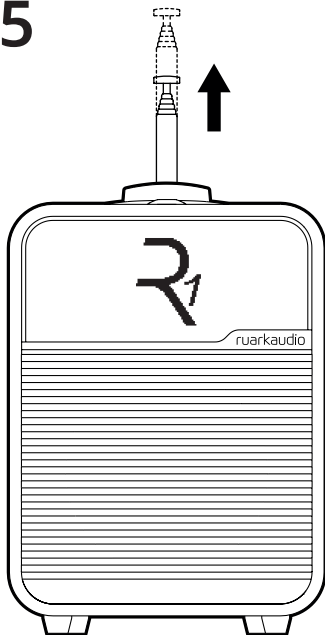
3



4



5



6



EN

Setup wizard

Follow the setup wizard to configure your R1.

Rotate the **CONTROL KNOB** until your preferred choice is shown, then press the **CONTROL KNOB** to **SELECT**.

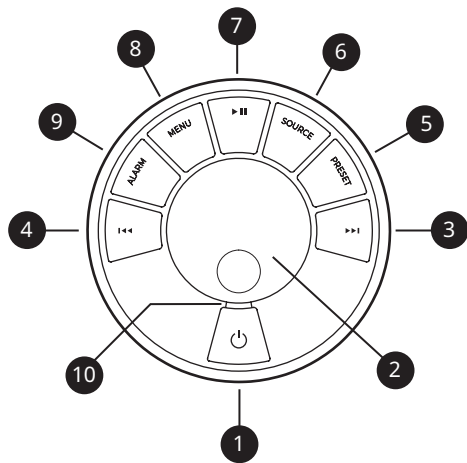
If you live in a region without DAB/DAB+, you can choose to disable DAB. To enable it again, simply reset the system and enable DAB during the setup wizard.

Need more help?

For more information, see www.ruarkaudio.com/support.

Controls

1. **⏻** – STANDBY
2. **CONTROL KNOB / SELECT**
Rotate to adjust volume from a Now-playing screen.
Rotate to browse menus or station lists.
Press to SELECT.
Press to SNOOZE a sounding alarm. Press it again to increase the snooze time, or press and hold to cancel.
3. **▶▶** – press to skip to next station or track, press and hold to fast forward a track or seek next FM station.
In standby, press to increase display brightness.
4. **◀◀** – press to skip to previous station or track, press and hold to rewind a track or seek the previous FM station.
In standby, press to decrease display brightness.
5. **PRESET** – press to recall a saved DAB/FM station or press and hold for two seconds to save a radio station.
6. **SOURCE** – press to change audio source.
7. **▶||** – press to play/pause a track or mute audio.
8. **MENU** – press to view the options menu, press to go back to previous screen when already in a menu.
9. **ALARM / SLEEP** – press to set an alarm or timer, press and hold to set sleep timer.
10. **LED** – indicates radio is on and flashes when Bluetooth is ready to connect or pair.



Tips

You can also press **▶▶** or **◀◀** to browse menus, sources or station lists.

Currently saved settings are highlighted with solid angle brackets, eg **◀ Radio text ▶**.

Press = tap or press and immediately release.

Press and hold = press and release after two seconds.

Specifications

Amplifier and driver

75mm Ruark NS+ driver
9W Class AB amplifier

Connectivity

DAB, DAB+
Multiregional FM Tuner with RDS
Bluetooth V4.2 SBC, AAC, BLE, A2DP
Line input 3.5mm jack (1.4Vrms max)
Headphone 3.5mm output jack (6Ω)
USB C 2.0, (5V 1A) MP3, AAC up to 48kHz 320kbps,
FLAC up to 24-bit 96kHz, WAV up to 24-bit 96kHz, WMA
up to 44.1kHz 320kbps

Features

High-contrast OLED with auto dimming
Real time clock with internal battery backup
Kensington compatible security slot

Power adapter

100-240V AC, 50-60Hz input, 14V DC 1.5A output

Dimensions

H175 x W130 x D135mm (6.9 × 5.1 × 5.3in)
1.4kg (3.1lbs)

Specification and design subject to change.

Troubleshooting

For help with your product, please refer to the FAQ (Frequently Asked Questions) page in the support area of our website www.ruarkaudio.com/support.

Regulatory information



This device is labelled in accordance with European Directive 2012/19/EU concerning waste electrical and electronic equipment. This symbol indicates that the product or associated batteries should not be disposed of as general household waste. As with any electrical equipment, please dispose of it according to local regulations.



CE COMPLIANCE INFORMATION

This product conforms to all EU Directive requirements as applicable by law. Hereby, Ruark Audio, declares that this device complies with the essential requirements and other relevant provisions of the European Radio Equipment Directive 2014/53/EU. You can download the full CE Declaration of Conformity at www.ruarkaudio.com/doc/R1mk4doc.pdf

Common functions

Switch on and to standby

Press **STANDBY** to turn your radio on. Press again to switch to standby.

Now-playing screens

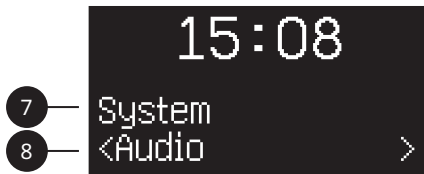
Unless you're adjusting a setting, the screen will look like the example below.



1. Clock
2. Alarm icon
3. Sleep timer icon
4. Station / track info
5. Battery status *
6. Mute icon

Menu screens

To change a setting, press **MENU** to display the list of available options, rotate the **CONTROL KNOB** to scroll through the list, and then press the knob to confirm your selection.



7. Menu title
8. Menu option

To change settings – press **MENU**

To scroll through options – rotate **CONTROL KNOB**

To select option – press **CONTROL KNOB**

To exit menu – press **MENU** to go back to the previous screen until you get back to the Now-playing screen, or wait for a few seconds

*only shown when the optional BackPack battery is fitted

Adjust volume

Rotate the **CONTROL KNOB** from any Now-playing screen.

Speaker volume and headphone volume are adjusted separately, so when headphones are plugged in, the volume is shown as *Volume* .

Please note that rotating the **CONTROL KNOB** when a menu or station list is displayed will scroll through the options or stations and not change the volume.

Change audio source

Press **SOURCE** to view the current source, rotate the **CONTROL KNOB** to scroll through the list of sources, then press the **CONTROL KNOB** to select one. (You can also press **SOURCE** repeatedly to cycle through the list of sources instead of rotating the knob.)

Change DAB or FM radio station

Press **I◀◀** or **▶▶I** to scroll through the stations in the station list, then press the **CONTROL KNOB** to tune to the selected station.

In FM, you can also press and hold **▶▶I** or **I◀◀** to seek the next or previous station.

See DAB or FM section for more details.

Save DAB or FM preset

Press and hold **PRESET** for two seconds, rotate the **CONTROL KNOB** to choose a preset number, then press the **CONTROL KNOB** to save the current station. Presets are either marked with the station name, frequency or as '[Not set]'.
[Not set].

If you save a station over an existing preset, the new station will replace it.

Recall DAB or FM preset

Press **PRESET**, rotate the **CONTROL KNOB** to scroll through the preset station list, then press the **CONTROL KNOB** to select one.

Connect a Bluetooth device

Your R1 will attempt to automatically connect to the last connected device. If you have not yet paired your device or the previous device is not available, your R1 will enter into pairing mode. See Bluetooth section for more details.

Station or track information

MENU > Info

Select the type of station / track information shown on the Now-playing screen.

Bass and treble

MENU > System > Audio > Bass or Treble

Adjust the bass and treble levels to best suit your room and personal taste.

Loudness

MENU > System > Audio > Loudness

Loudness automatically boosts the treble and bass frequencies at lower volumes.

Display brightness

MENU > System > Display

Adjust the display brightness when the radio is on (on) and in standby (stby).

In standby, press **◀◀** to decrease display brightness, or **▶▶** to increase it.

Please note that the brightness also automatically adjusts according to ambient light conditions.

Date and time

MENU > System > Clock

Select the time and date formats and whether the clock is updated automatically from DAB/FM or set manually. You can also set the rule for daylight savings (DST) when clock is set manually.

Please note that FM time and date synchronisation may not be available on some stations in your region.

Language

MENU > System > Language

Change the user interface language.

If you accidentally select the incorrect language you can factory reset your radio by pressing and holding the standby key for 10s with your radio in standby.*

Auto standby

Your R1 is set to automatically go into standby if there is no audio for more than 20 minutes. To change this select **MENU > System > Auto standby**.

Factory reset

MENU > System > Reset system

Resets all settings and clears presets.

*Quick reset not available on all models

Please note that **MENU > System > Audio > Bass** means press **MENU**, select **System**, select **Audio** and finally select **Bass**

Alarms, snooze and sleep

Press **ALARM** and follow the on-screen instructions to set an alarm or timer. Rotate the **CONTROL KNOB** to scroll through options, press it to select that option.

Setting an alarm

To set an alarm, select **ALARM > Alarm 1** or **Alarm 2**.

Follow the on-screen instructions to set the source (DAB, FM, USB or buzzer), duration and volume as well as when the alarm repeats (once, Mon-Sun, Mon-Fri, Sat-Sun, custom). Custom allows you to choose which days of the week you want the alarm to sound.

An active alarm is indicated by the alarm icon which then flashes when the alarm sounds.

Please note that it is not possible to use Bluetooth as a source for the alarm.

Snooze

Press the **CONTROL KNOB** to temporarily silence a sounding alarm, press it again to increase the snooze period (5, 10, 15 or 30 minutes).

To cancel a sounding or snoozed alarm, press and hold the **CONTROL KNOB** for two seconds, or press **ALARM** or **STANDBY**.

Sleep timer

To set the time after which your R1 will automatically switch to standby, press and hold the **ALARM** key, or select **ALARM > Sleep timer**.

Choose the delay in minutes (Off, 15, 30, 45, 60, 90) and press the **CONTROL KNOB** to confirm your selection. The display then returns to the Now-playing screen and displays the sleep icon.

Wake timer

To set an alarm to sound after 15, 30, 45, 60 or 90 minutes, select **ALARM > Wake timer**. Choose the time and press the **CONTROL KNOB** to confirm your selection. The display then returns to the Now-playing screen and displays the alarm icon.

Alarms can also be set with your radio in standby

Bluetooth

Your R1 radio is Bluetooth enabled and can receive music streamed from a Bluetooth smartphone, tablet or laptop.

Connect your Bluetooth device

As soon as you change source to Bluetooth, your R1 will show *Waiting for connection...* the indicator light on the dial will flash and your R1 will attempt to connect to the last connected device.

Ensure the Bluetooth function on your device is on, and select *Ruark R1* from the list of available devices.

It may take a few seconds for your R1 to appear in the list on your device, and in some cases you may need to input "0000" as the pairing password.

If you do not connect within a few minutes, your R1 will stop attempting to connect and show *No connection*.

Play audio

Once connected, audio from your Bluetooth device will play through your R1. For more information on playing audio from your Bluetooth device, refer to your device's documentation.

Please note that you may need to select Ruark R1 or Bluetooth as the audio output on your device.

Pause track

Press **▶||** and then press again to play.

Skip track

Press **▶▶|** or **|◀◀** to skip to the next or previous track.

Now-playing information

Artist, album and track name will show if your Bluetooth device and app support Bluetooth metadata. You can also show the name of the connected device. Select what is shown from **MENU > Info**.

Operating range

This is typically up to 10 metres (30 feet) from your R1, although obstructions such as walls may reduce this.

Adjust volume

We recommend that you adjust the volume on your Bluetooth device on maximum or so that the playback volume is about the same as other sources. You can then use the volume control on your R1 to adjust overall playback volume.

Connect a different device

To connect a different device, select **MENU > Connect device** and then either select **New** or rotate the **CONTROL KNOB** to select one of the devices in the pairing list.

Pairing additional devices

You can pair up to 8 devices, although you will only be able to play audio from one device at a time.

Clearing the paired devices list

If you are having trouble connecting your Bluetooth device, we recommend you clear all pairing information. To do this, select **MENU > Forget devices**.

You will also need to delete *Ruark R1* from the paired devices list on your Bluetooth device before pairing it to your R1 again. For more information, refer to your device's documentation.

For help with using Bluetooth, please visit www.ruarkaudio.com/support

Note: You cannot use the Bluetooth function on your R1 to connect to Bluetooth headphones

DAB radio

The first time you use your R1, or if the DAB station list is empty, it will automatically perform a station scan to create a list of available stations.

Change station

Press ►► or ◀◀ to show the station list. Pressing it again shows the next or previous station, to tune to a station, select it by pressing the **CONTROL KNOB**, or wait a few seconds for it to automatically select.

Once the station list is displayed, you can also scroll through the list by rotating the **CONTROL KNOB** and selecting a station by pressing the knob.

You can also show the station list by selecting **MENU > Station list**.

DAB radio text (DLS)

DLS (Dynamic Label Segment) is information about

the programme or track broadcast by the station. Select what information is shown from **MENU > Info**.

Save preset

You can store 8 DAB stations in your preset list. See 'Common functions' section.

Recall preset

'See Common functions' section.

Station scan

If the station list is empty the radio will automatically perform a station scan as soon as you switch to DAB.

We recommend you periodically update the station list by selecting **MENU > Station scan**.

For optimal reception, fully extend the aerial and adjust its position.

FM radio

The first time you use FM on your R1, or if the FM station list is empty, it will automatically perform a station scan to create a list of available stations.

Change station

Press **▶▶** or **◀◀** to show the station list. Pressing it again shows the next or previous station, to tune to a station, select it by pressing the **CONTROL KNOB**, or wait a few seconds for it to automatically select.

Once the station list is displayed, you can also scroll through the list by rotating the **CONTROL KNOB** and selecting a station by pressing the knob.

You can also show the station list by selecting **MENU > Station list**.

To seek the next or previous station, press and hold **▶▶** or **◀◀**.

The station frequency is normally replaced by the station name a few seconds after tuning into an FM station.

FM radio text (RDS/RBDS)

RDS (Radio Data System) is information about the programme or track broadcast by the station. Select what information is shown from **MENU > Info**.

Manual tune

Select **MENU > Manual tune** then rotate the **CONTROL KNOB** to change the frequency and press it to select that station.

Save preset

You can store 8 FM stations in your preset list. If RDS data is not available, your R1 will store the frequency instead of the station name in the preset list.

Recall preset

'See Common functions' section.

Station scan

If the station list is empty the radio will automatically perform a full scan as soon as you switch to FM.

We recommend you periodically update the station list by selecting **MENU > Station scan**.

Sensitivity

By default, the FM sensitivity is set to **Strong stations**. Change it so it also tunes into weaker stations by selecting **Menu > Sensitivity > All stations**.

Line in

Listen to an external audio device using a 3.5mm stereo jack cable connected to the Line in socket on the back of your R1.

Line in input levels

Adjust the input level by selecting **MENU > Input level** and choose the highest level that does not distort - if it distorts, turn down the input level.

- 1 - Devices with high output level, eg CD some players
- 2 - Most devices
- 3 - Devices with low output, eg some smartphones

If your external audio source has a volume control you may need to adjust it for best performance. If it's too high the sound may distort; if it's too low the playback volume may be too low and lack bass.

USB

Your R1 plays most audio tracks stored on a USB C flash drive. Simply plug it into the USB socket on the back and change the source to USB.

Playback is automatically shuffled.


Press **◀◀** or **▶▶** to skip to the previous or next track and press **▶||** to pause playback or restart a track.

If a USB flash drive is not detected, it will show *No device*.

Your R1 has a 5W, 1.0A USB power output and will charge most devices. It may not charge devices that require more than 5W.

Headphones

Connect your headphones to the 3.5mm stereo jack socket on the back of your R1.

Headphone volume is adjusted independently from speaker volume, so when headphones are plugged in the volume is shown as *Volume* .

Optional accessories

Contact your local Ruark dealer or see www.ruarkaudio.com for more details.

BackPack battery

Your R1 is fully compatible with the Ruark BackPack battery.

To save power when operating on battery power alone, the display on your R1 automatically turns off when in standby.

Alarms work as normal when your radio is powered by battery alone, but to ensure reliable operation, we do not recommend you use them when the battery is in a low state of charge.

Please note that charging a device when your R1 is powered by a BackPack will significantly reduce the run time of your R1.

Remote control

Compact remote control that also gives you 4 direct select preset station keys.

Safety information

- Read this user guide and follow all instructions, it will help you set up and operate your product properly.
- Heed all warnings and keep this user guide for future reference.
- Do not attempt to use a damaged device as this could result in a dangerous electric shock.
- Do not open the unit or remove any panels to expose the electronics. No user serviceable parts inside.
- Refer all servicing to qualified service personnel. Servicing is required when the device has been damaged in any way, such as when any power cord, or power plug is damaged, liquid has been spilled or objects have fallen into the device, the device has been exposed to rain or moisture, does not operate normally, or has been dropped.
- This device is intended to be operated ONLY from the AC voltages listed on the back panel or included AC mains adapter. Operation from voltages other than those indicated may cause irreversible damage to the device and void the product warranty.
- Ensure that the mains plug or mains connector into the unit is readily accessible in case disconnection from the mains is required.
- The AC mains adapter, mains plug, or mains connector must be removed from the socket to completely disconnect the system from AC mains power.
- Do not place any naked flame sources, such as lighted candles, on or near the device. Do not install near any heat sources such as radiators, stoves, or other devices that produce heat.
- Avoid exposure to extreme heat or cold.
- Only use attachments/accessories specified for this device. Make no modifications to the system or accessories. Unauthorised alterations may compromise safety, regulatory compliance, and system performance.
- Only use the supplied aerial or an approved replacement.
- To reduce the risk of fire or electrical shock, do not expose the device to rain or moisture. Do not expose this device to dripping or splashing, and do not place objects filled with liquids, such as vases, on or near the device. As with any electronic products, use care not to spill liquids into any part of the system. Liquids can cause a failure and/or a fire hazard.
- Disconnect this device from AC mains power during lightning storms or when unused for long periods of time to prevent damage to this device.
- To prevent risk of fire or electric shock, avoid overloading AC mains power outlets or extension cords.
- Long-term exposure to loud music may cause hearing damage. It is best to avoid extreme volume when using headphones, especially for extended periods.
- Do not install this device in a confined space. Always leave a space of at least 10cm around the device for ventilation and ensure that curtains or other objects never cover ventilation openings on the device.

Guarantee for UK sales

Register your product online to obtain a comprehensive three-year guarantee.

Otherwise we guarantee this product to be free from defects for a period of two years from date of purchase.

This guarantee remains valid providing this product has been treated with due care and attention. Product failure through accidental damage, excessive wear and tear, negligence or unauthorised modification will void your guarantee.

Should this product develop a fault, please contact the retailer from which it was purchased, or you can contact us directly via our website:

www.ruarkaudio.com/support.

If returning this product, please ensure it is packed in its original packaging and a proof of purchase is included.

Guarantee for overseas sales

The distributor in the country of purchase guarantees products purchased outside the UK. For details, please contact your local Ruark distributor or outlet.

THIS GUARANTEE IN NO WAY VARIES OR REMOVES THE PURCHASER'S STATUTORY RIGHTS. E&OE

General care

Clean with a soft, lint-free duster or slightly dampened cloth. Do not use wax sprays or other substances as these may damage the surface finish or impair performance.

Do not expose your unit to direct sunlight, high humidity, dust, excessive vibration or extreme temperatures, all of which can affect the finish, performance and reliability of the unit.

Recommended operating temp. range is 5°C to 40°C.

Natural wood finishes will vary and lighten or darken with age, particularly when exposed to sunlight.

Copyright and trademarks

© 2020 Ruark Audio. All rights reserved. Ruark Audio, the Ruark Audio logo, and other Ruark Audio marks are owned by Ruark Audio and may be registered. Ruark Audio assumes no responsibility for any errors that may appear in this manual and the information contained in it may change without notice.

Bluetooth® and associated logos are registered trademarks owned by Bluetooth SIG, Inc.

All other trademarks are the property of their respective owners.



ruarkaudio

59 Tailors Court, Temple Farm Industrial Estate,
Southend on Sea, Essex, SS2 5TH, UK
www.ruarkaudio.com



20201207.1