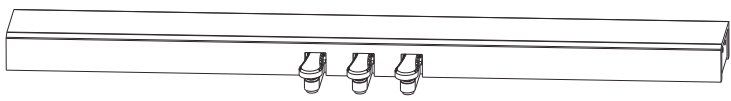

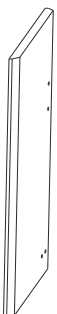
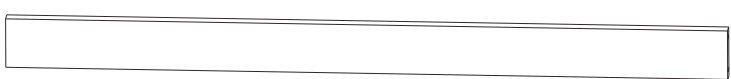
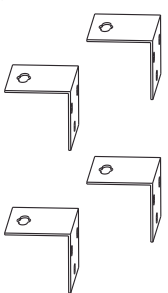
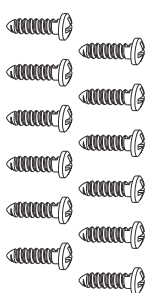
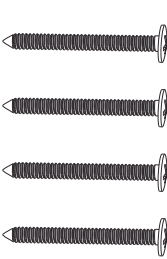
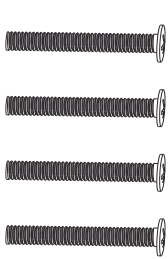



# VISIONKEY-200

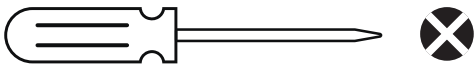
## SET-UP GUIDE

# CONTENTS CHECKLIST

First, check the contents of the package and make sure you have everything you need.

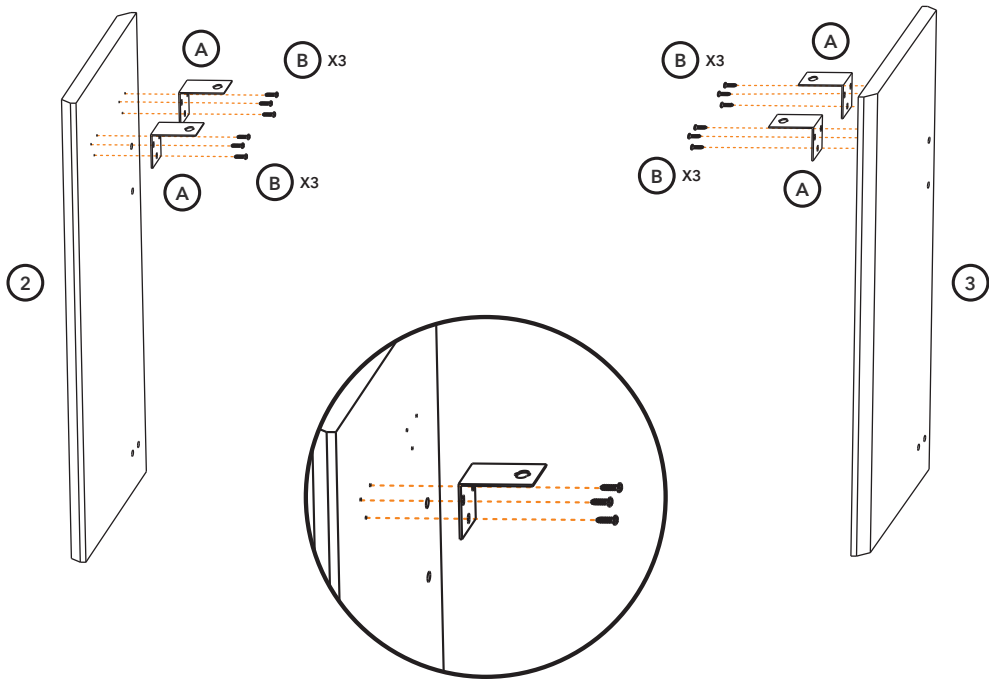
<p>①</p>  <p>X1</p>	<p>②</p>  <p>X1</p>	<p>③</p>  <p>X1</p>		
<p>④</p>  <p>X1</p>				
<p>A</p>  <p>X4</p>	<p>B</p>  <p>12mm X12</p>	<p>C</p>  <p>50mm X4</p>	<p>D</p>  <p>50mm X4</p>	<p>E</p>  <p>30mm X4</p>

## TOOLS REQUIRED



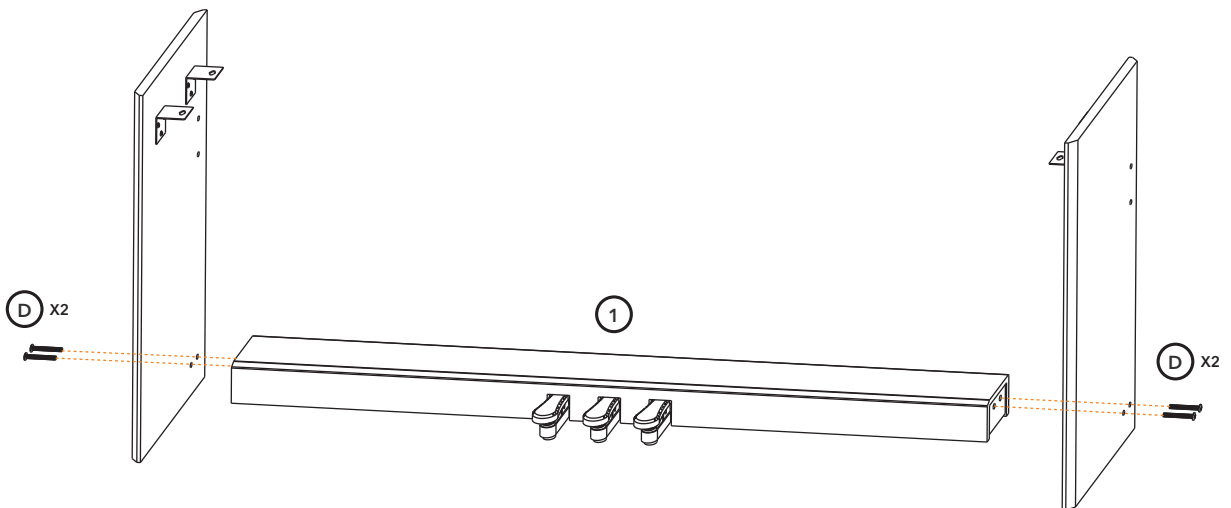
---

1

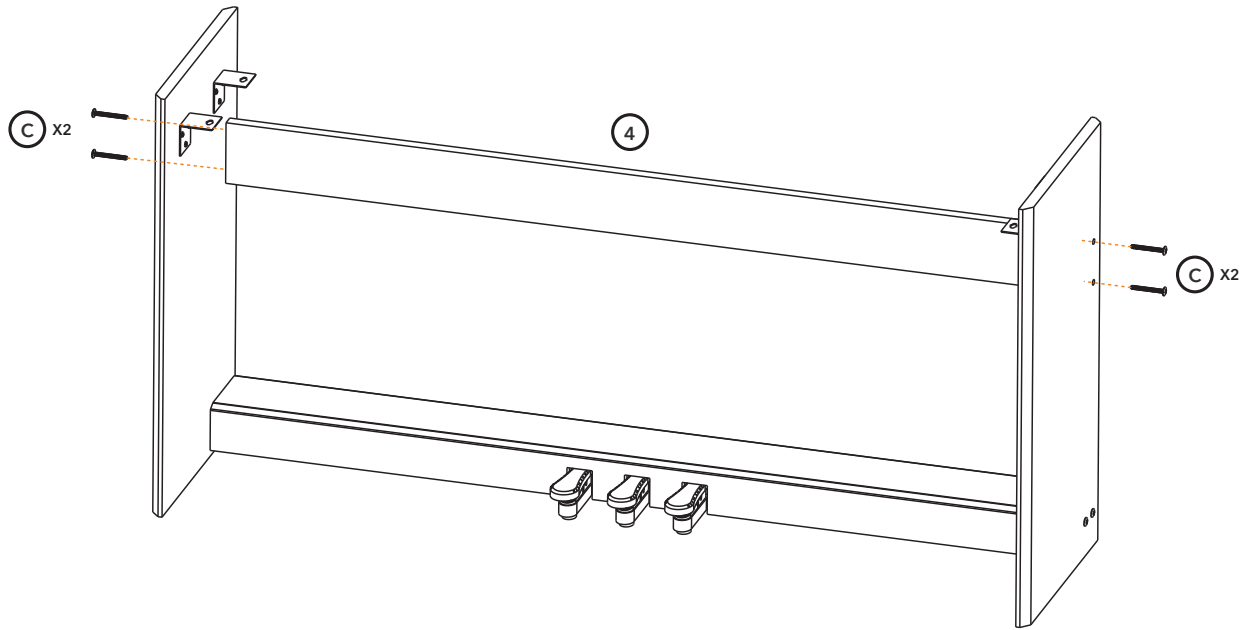


---

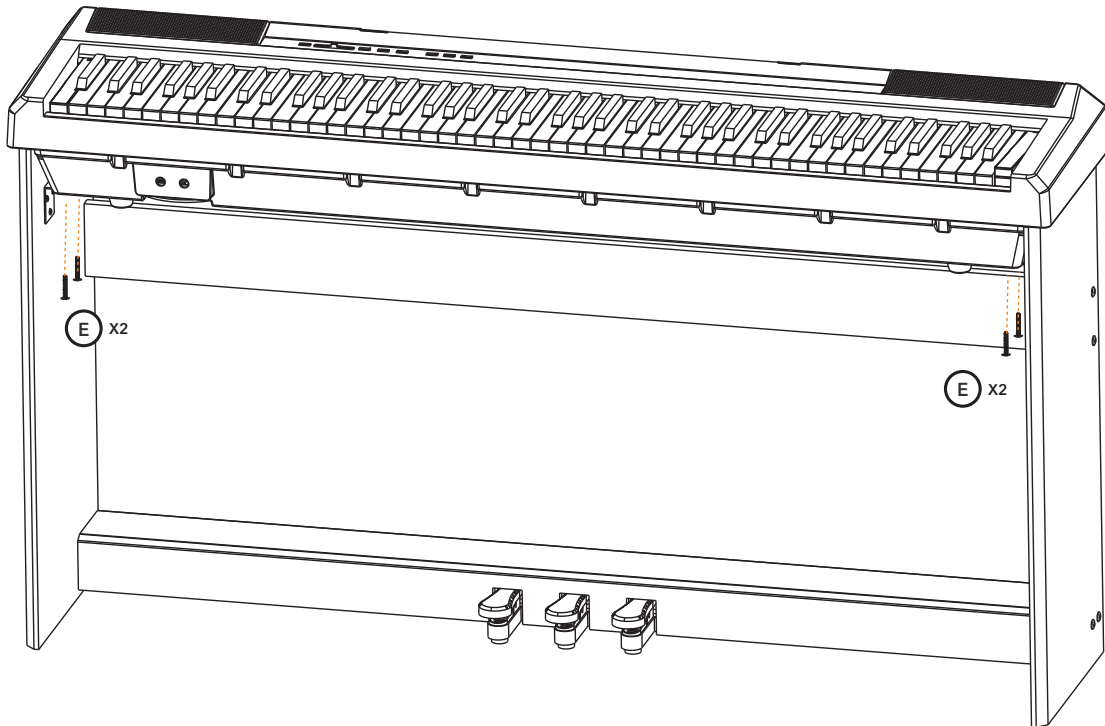
2



3



4









[WWW.GEAR4MUSIC.COM](http://WWW.GEAR4MUSIC.COM)

KETTLESTRING LANE | YORK | YO30 4XF | UNITED KINGDOM  
METALLVÄGEN 45A | 195 72 ROSERSBERG | STOCKHOLM | SVERIGE  
LAHNSTRASSE 27 | 45478 MÜLHEIM AN DER RUHR | DEUTSCHLAND

If you have any more questions about this product, please do not hesitate to contact the  
Gear4music Customer Service Team on: **+44 (0) 330 365 4444** or  
[info@gear4music.com](mailto:info@gear4music.com)