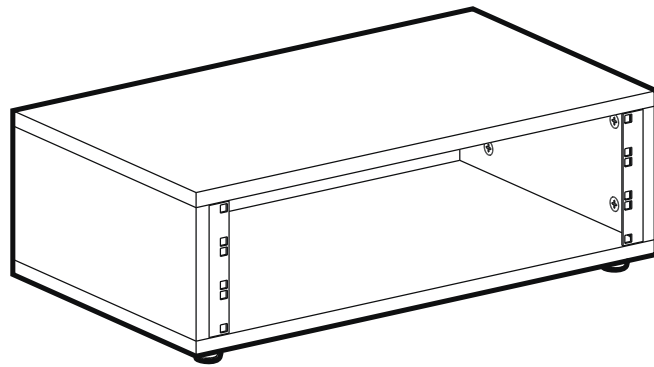


modul

studio solutions



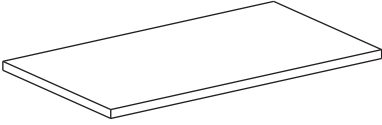
3u rack unit

Gear4music

LRS-500

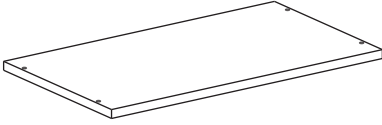
CONTENTS CHECKLIST

1



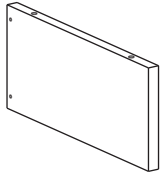
X1

2



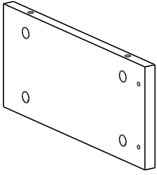
X1

3




X1

4




X1

A




X8

B




33MM X8

C




X2

D




12MM X4

E



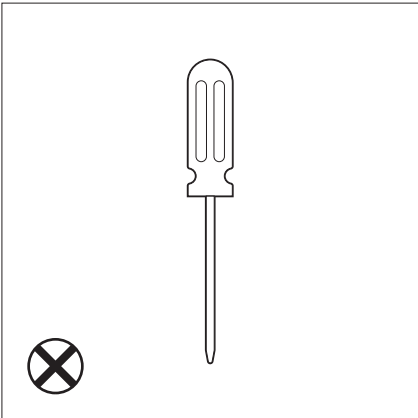
X4

F

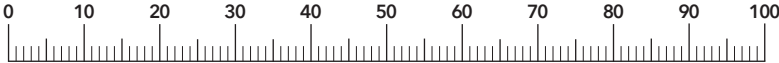


20MM X4

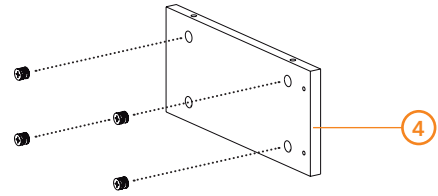
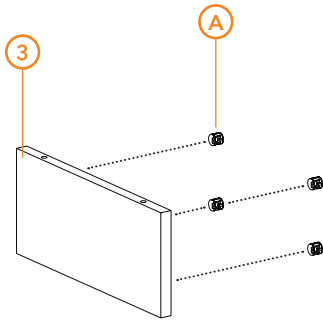
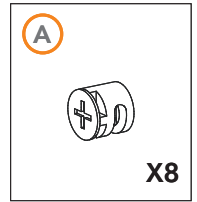
TOOLS REQUIRED



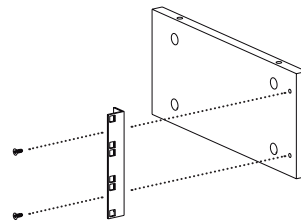
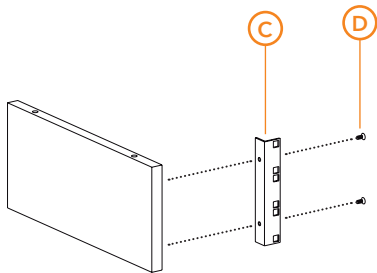
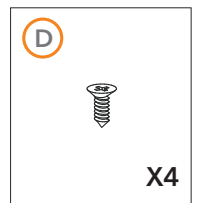
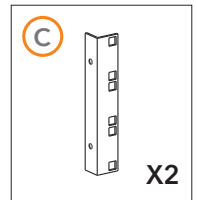
MEASURING GUIDE



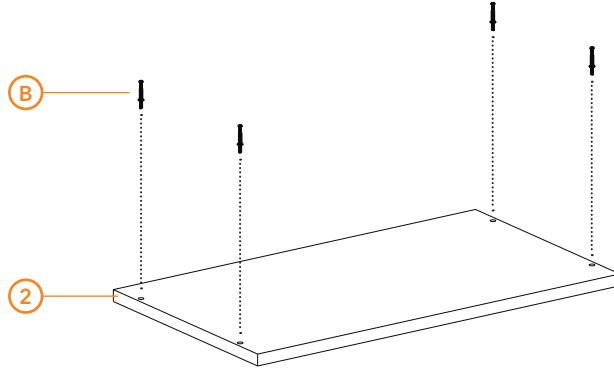
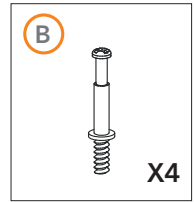
1



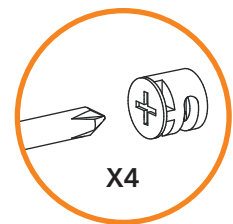
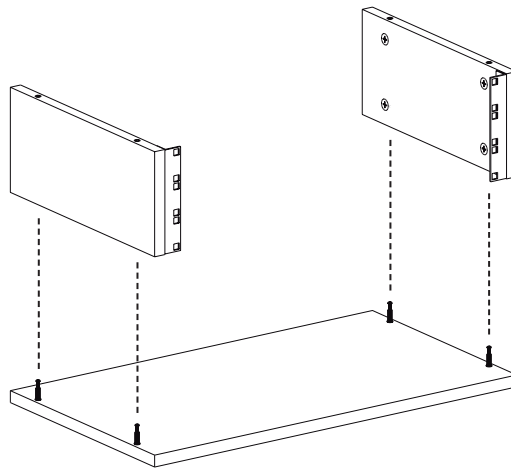
2



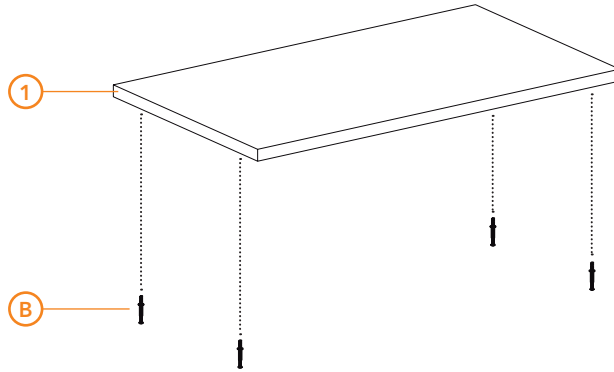
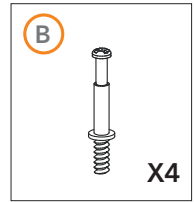
3



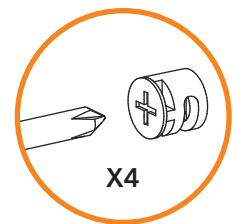
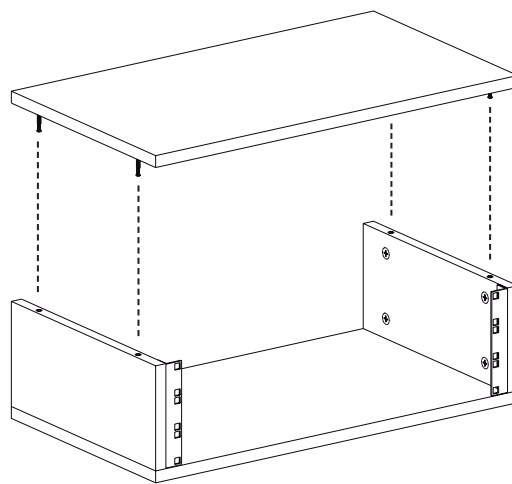
4



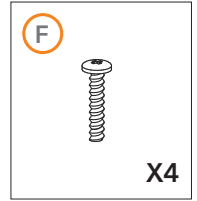
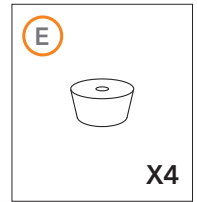
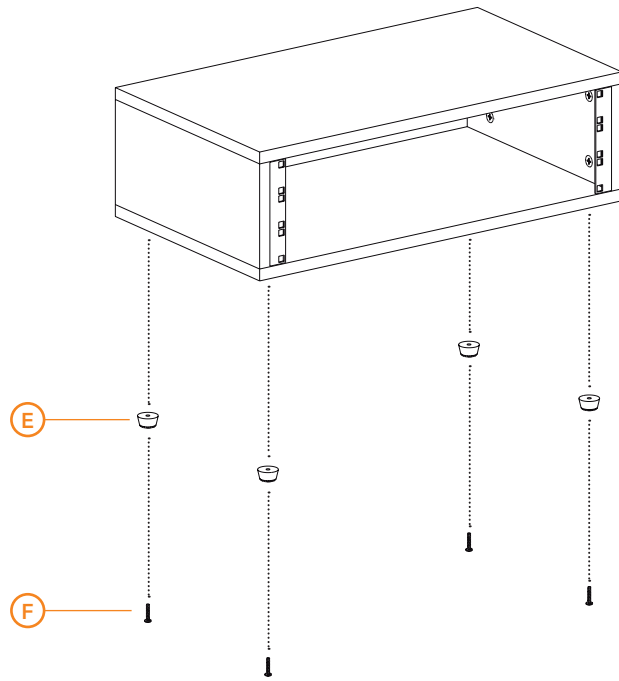
5



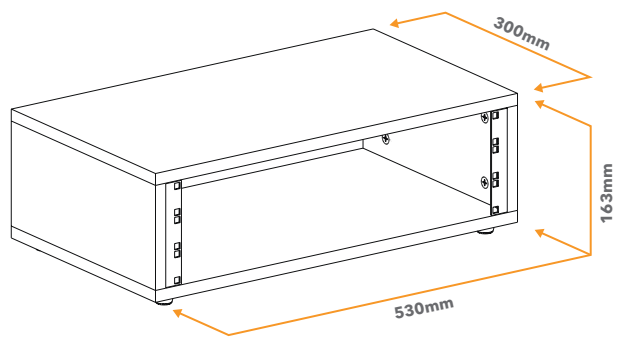
6



7



8



KETTLESTRING LANE | YORK | YO30 4XF | UNITED KINGDOM
METALLVÄGEN 45A | 195 72 ROSERSBERG | STOCKHOLM | SVERIGE
LAHNSTRASSE 27 | 45478 MÜLHEIM AN DER RUHR | DEUTSCHLAND

If you have any more questions about this product, please do not hesitate to contact the Gear4music Customer Service Team on: **+44 (0) 330 365 4444** or **info@gear4music.com**