



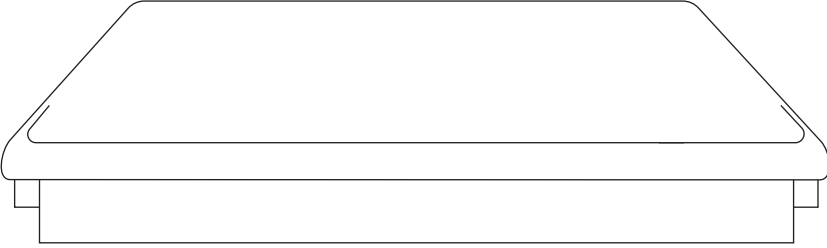

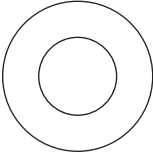


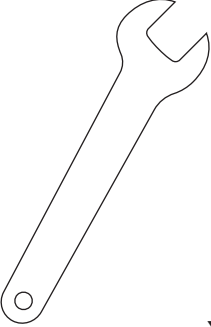
PIANO STOOL

PB-7 / PB-9

ASSEMBLY GUIDE

CONTENTS CHECKLIST

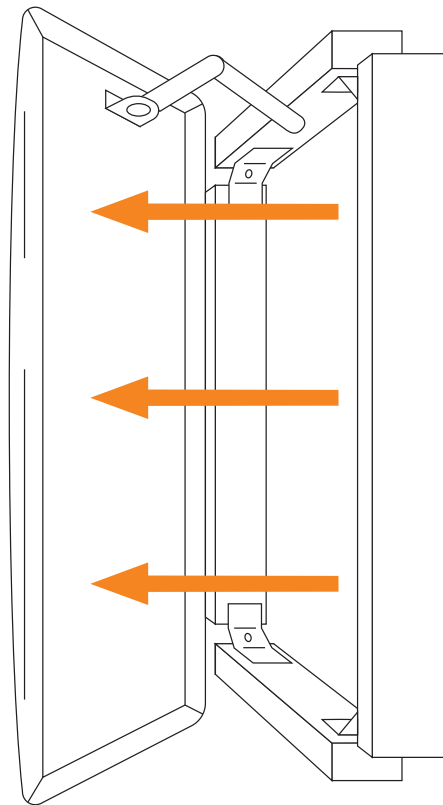
First, check the contents of the package and make sure you have everything you need to complete the assembly of this product.

A  X1	B  X4		
C  X4	D  X4	E  X4	F  X1

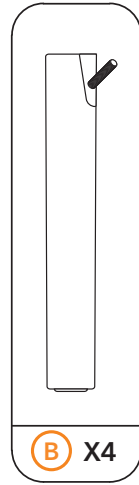
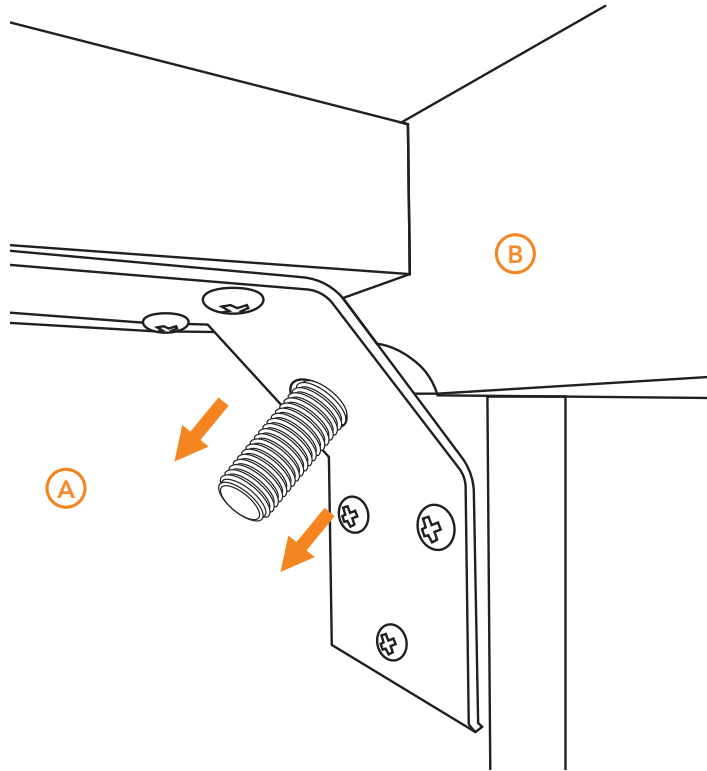
1



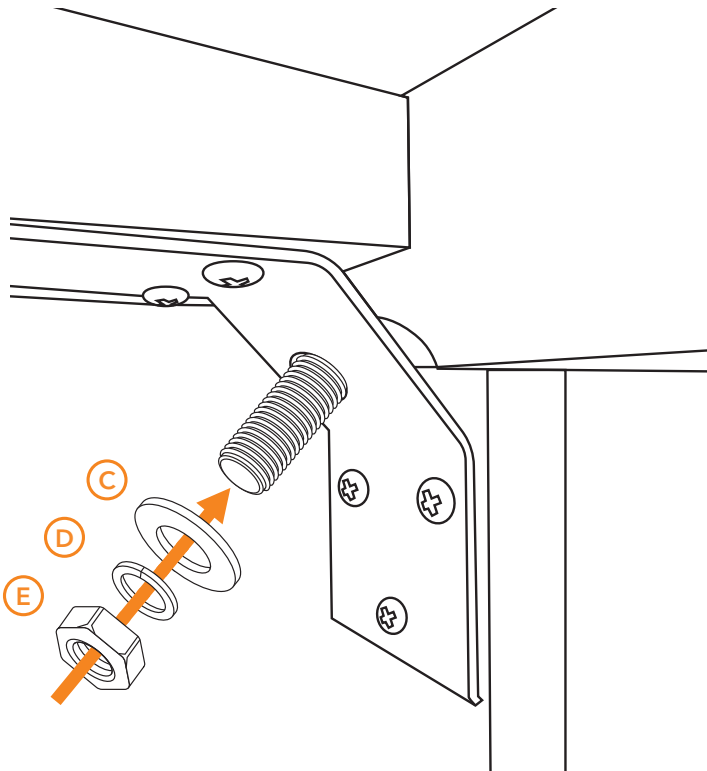
2



3

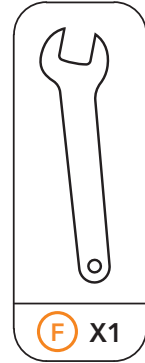
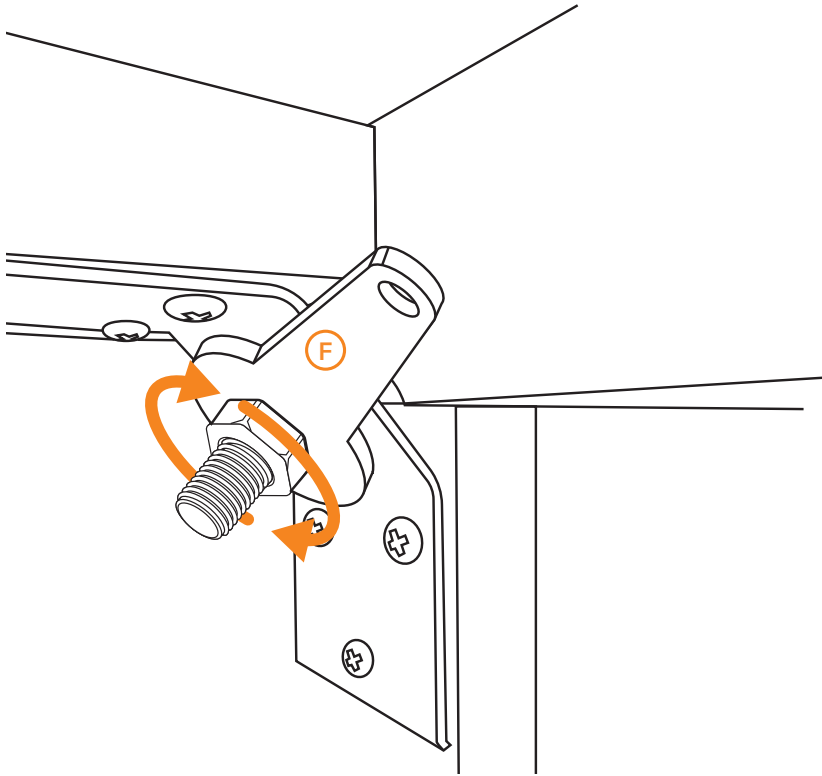


4



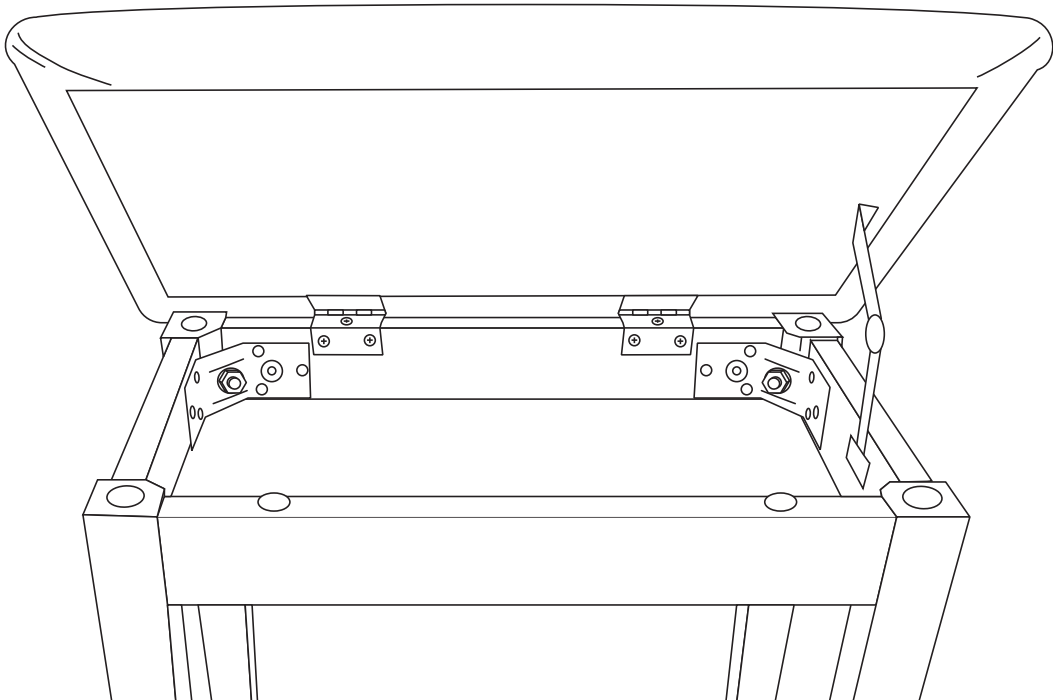
X4

5

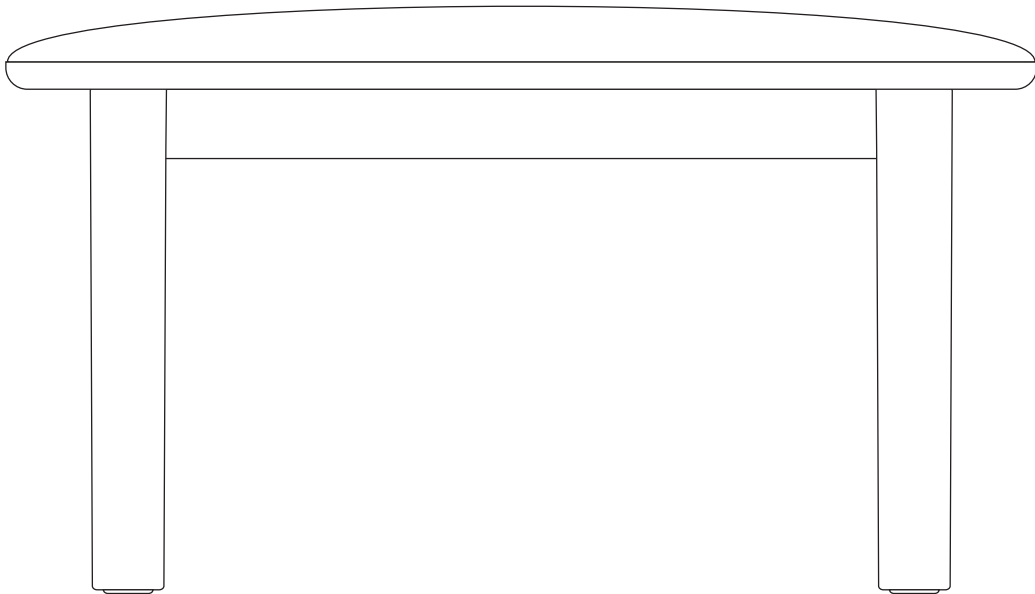
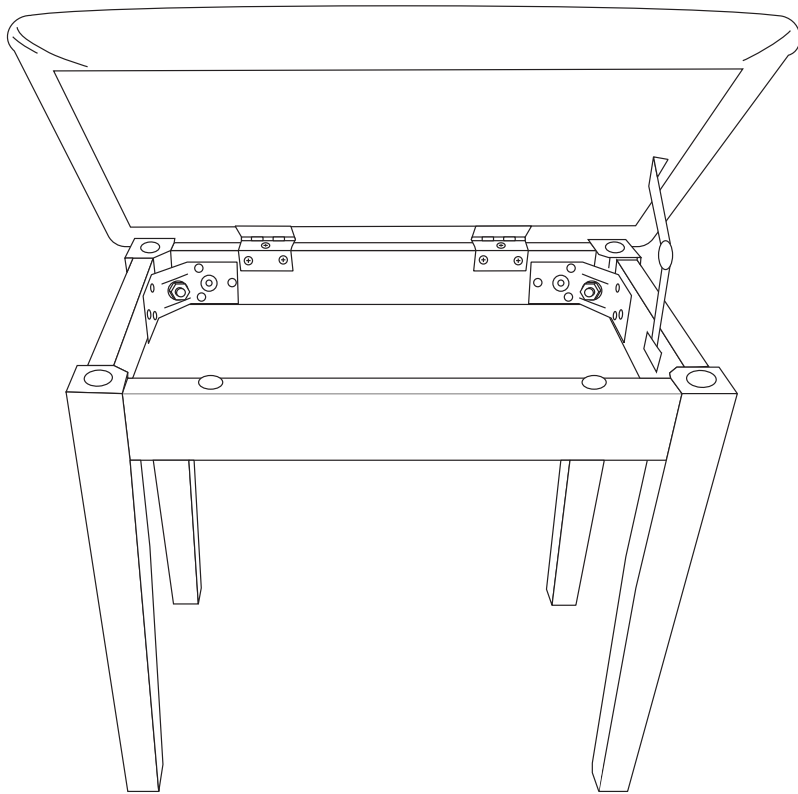


X4

6



7



NOTE: Product shown is PB-7, other models may vary.



KETTLESTRING LANE | YORK | YO30 4XF | UNITED KINGDOM
METALLVÄGEN 45A | 195 72 ROSERSBERG | STOCKHOLM | SVERIGE
LAHNSTRASSE 27 | 45478 MÜLHEIM AN DER RUHR | DEUTSCHLAND

If you have any more questions about this product, please do not hesitate to contact the Gear4music Customer Service Team on: **+44 (0) 330 365 4444** or **info@gear4music.com**