

INTIMIDATOR SPOT 160 ILS

User Manual



TABLE OF CONTENTS

1. Before You Begin	1
What Is Included	1
Unpacking Instructions	1
Claims	1
Text Conventions	1
Symbols	1
Disclaimer	1
Intellectual Property	1
Safety Notes	2
2. Introduction	3
Product Overview	3
Product Dimensions	3
3. Setup	4
AC Power	4
Fuse Replacement	4
Power Linking	4
Mounting	5
Orientation	5
Rigging	5
4. Operation	6
Control Panel Operation	6
Menu Map	6
DMX Configuration	7
Starting Address	7
DMX Personalities	7
DMX Channel Assignments and Values	8
Gobos	9
Standalone Configuration	10
Automatic Programs	10
Sound-Active Mode	10
Sound Sensitivity	10
Manual Mode	10
Settings Configuration	10
Pan Reverse	10
Tilt Reverse	11
Screen Reverse	11
Pan Angle	11
Tilt Angle	11
Totem Mode	11
DMX Loss	11
Indicator	12
Flash if DMX	12
Follow Spot Mode	12
Reset	12
Factory Reset	12
System Information	12
IRC-6 Infrared Remote Control	13
IRC-6 Operation	13
Dimmer	13
Pan/Tilt	13
Sound Mode	13
Auto Mode	13
Color Wheel	13
Gobo Wheel	13
Blackout	13
Master/Slave Mode	14
5. Maintenance	15
Product Maintenance	15
6. Technical Specifications	16
Contact Us	17
Warranty & Returns	17

Before You Begin

1. Before You Begin

What Is Included

- Intimidator Spot 160 ILS
- Power cable
- Hanging bracket
- Quick Reference Guide

Unpacking Instructions

Carefully unpack the product immediately and check the container to make sure all the parts are in the package and are in good condition.

Claims




If the box or the contents (the product and included accessories) appear damaged from shipping, or show signs of mishandling, notify the carrier immediately, not Chauvet. Failure to report damage to the carrier immediately may invalidate a claim. In addition, keep the box and contents for inspection.

For other issues, such as missing components or parts, damage not related to shipping, or concealed damage, file a claim with Chauvet within 7 days of delivery.

Text Conventions

Convention	Meaning
1–512	A range of values
50/60	A set of values of which only one can be chosen
Settings	A menu option not to be modified
<ENTER>	A key to be pressed on the product's control panel
ON	A value to be entered or selected

Symbols

Symbol	Meaning
	Critical installation, configuration, or operation information. Not following these instructions may make the product not work, cause damage to the product, or cause harm to the operator.
	Important installation or configuration information. The product may not function correctly if this information is not used.
	Useful information.

Disclaimer

Chauvet believes that the information contained in this manual is accurate in all respects. However, Chauvet assumes no responsibility and specifically disclaims any and all liability to any party for any loss, damage or disruption caused by any errors or omissions in this document, whether such errors or omissions result from negligence, accident, or any other cause. Chauvet reserves the right to revise the content of this document without any obligation to notify any person or company of such revision, however, Chauvet has no obligation to make, and does not commit to make, any such revisions. Download the latest version from www.chauvetdj.com.

Intellectual Property

The works of authorship contained in this manual, including, but not limited to, all design, text, and images are owned by Chauvet.

© Copyright 2023 Chauvet & Sons, LLC. All rights reserved.

Electronically published by Chauvet in the United States of America.

Chauvet, the Chauvet logo, Chauvet DJ, and Intimidator Spot 160 ILS are registered trademarks or trademarks of Chauvet & Sons LLC (d/b/a Chauvet and Chauvet Lighting) in the United States and other countries. Other company and product names and logos referred to herein may be trademarks of their respective companies.

Safety Notes

- **ALWAYS:**



- ◆ Connect to a grounded circuit.
- ◆ Connect to operating voltages as specified on the product's spec sticker.
- ◆ Disconnect from power before replacing the fuse.
- ◆ Disconnect from its power source during periods of inactivity.
- ◆ Use a safety cable when suspending overhead.
- ◆ Heed all restrictions and warnings on the spec sticker.
- ◆ Mount in a location with at least 20 in (50 cm) of ventilation.
- ◆ Replace the fuse with the same type and rating.
- ◆ Use a clamp with a captive bolt when a single hanging bracket is used.

- In the event of a serious operating problem, stop using immediately.

- **DO NOT:**



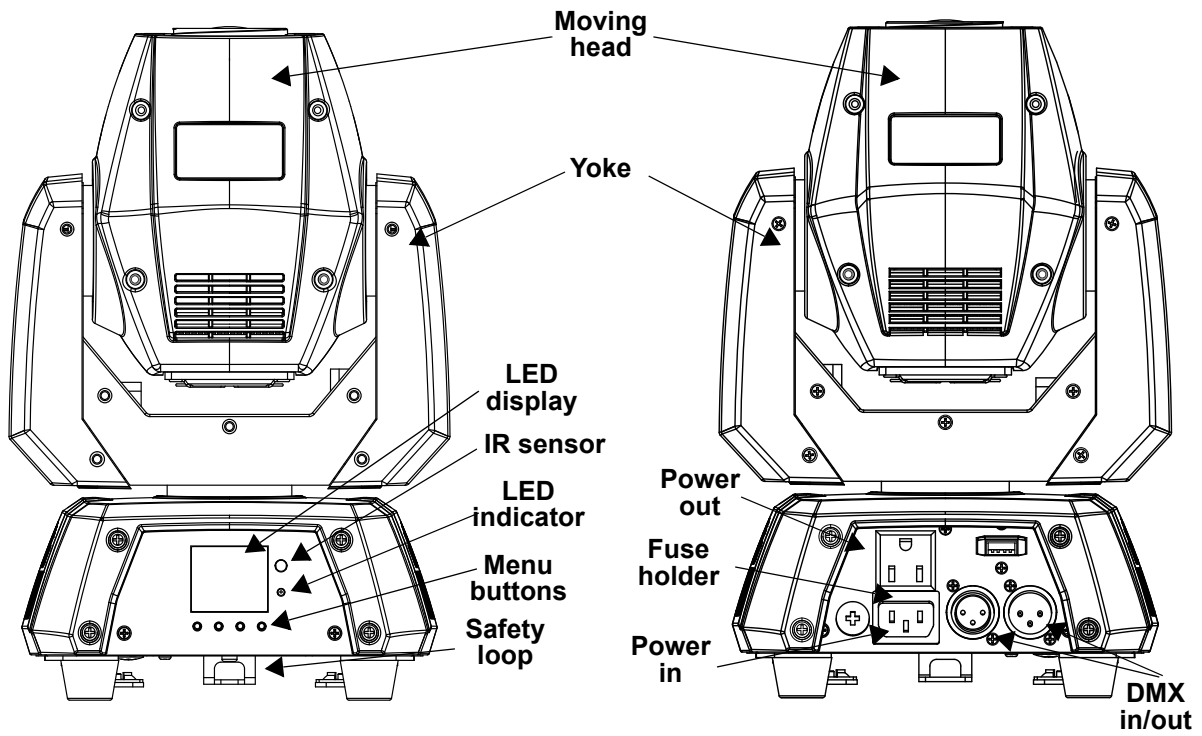
- ◆ Open this product or attempt any repairs. It contains no user-serviceable parts.
- ◆ Look at the light source when the product is on.
- ◆ Use if the power cord is crimped or damaged.
- ◆ Disconnect by pulling on the power cord.
- ◆ Allow flammable materials close to the product when it is operating.
- ◆ Touch the housing when it is on.
- ◆ Block any ventilation holes/slots in the housing.
- ◆ Connect to a dimmer or rheostat.
- ◆ Carry the product by its power cord.
- ◆ Operate in temperatures higher than 104°F (40°C).
- ◆ Expose to environments that exceed the Ingress Protection (IP) rating.
- ◆ Expose to rain or moisture.
- ◆ Use outdoors.
- ◆ Expose to corrosive environmental conditions such as temperature, humidity, salinity, pressure, radiation, or shock.
- ◆ Set this product on a flammable surface.



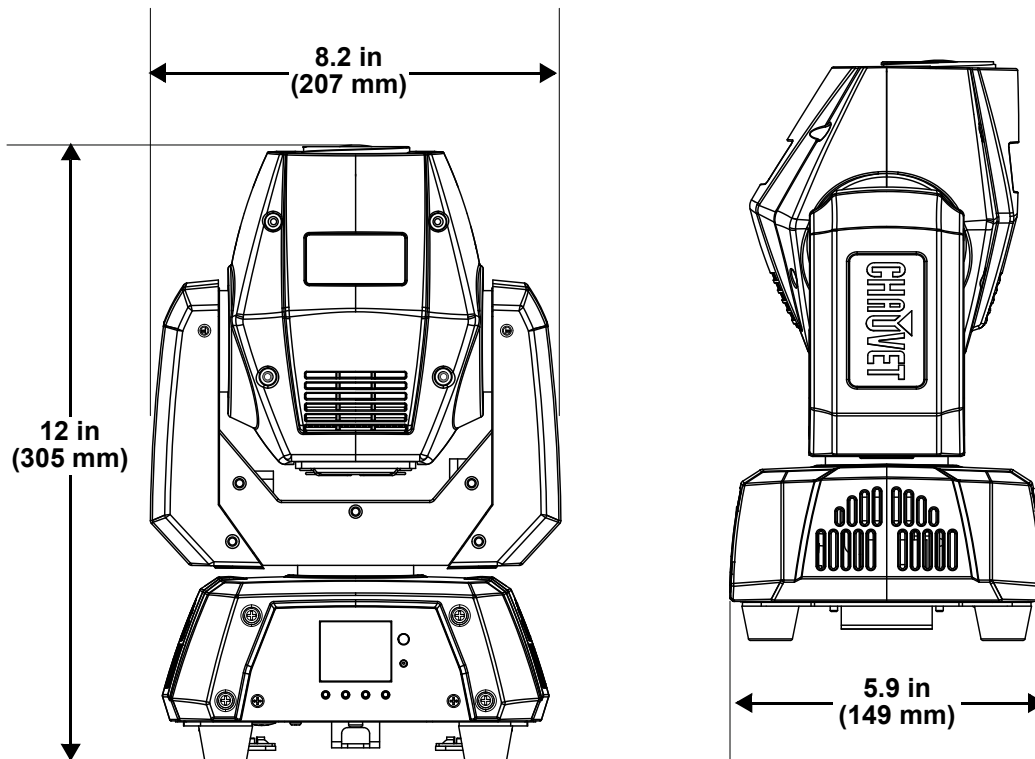
Keep this User Manual for future use. If the product is sold to someone else, be sure that they also receive this document.

2. Introduction

Product Overview



Product Dimensions



3. Setup

AC Power

The Intimidator Spot 160 ILS has an auto-ranging power supply, and it can work with an input voltage range of 100 to 240 VAC, 50/60 Hz.

To determine the product's power requirements (circuit breaker, power outlet, and wiring), use the current value listed on the label affixed to the product's back panel, or refer to the product's specifications chart. The listed current rating indicates the product's average current draw under normal conditions.



- **Always connect the product to a protected circuit (a circuit breaker or fuse). Make sure the product has an appropriate electrical ground to avoid the risk of electrocution or fire.**
- **To eliminate unnecessary wear and improve its lifespan, during periods of non-use, completely disconnect the product from power via breaker or by unplugging it.**



Never connect the product to a rheostat (variable resistor) or dimmer circuit, even if the rheostat or dimmer channel serves only as a 0–100% switch.

Fuse Replacement

1. Disconnect the product from power.
2. Using a flat-head screwdriver, unscrew the fuse holder cap from the housing.
3. Remove the blown fuse.
4. Replace with a fuse of the same type and rating (F 2 A, 250 V).
5. Screw the fuse holder cap back in place and reconnect power.

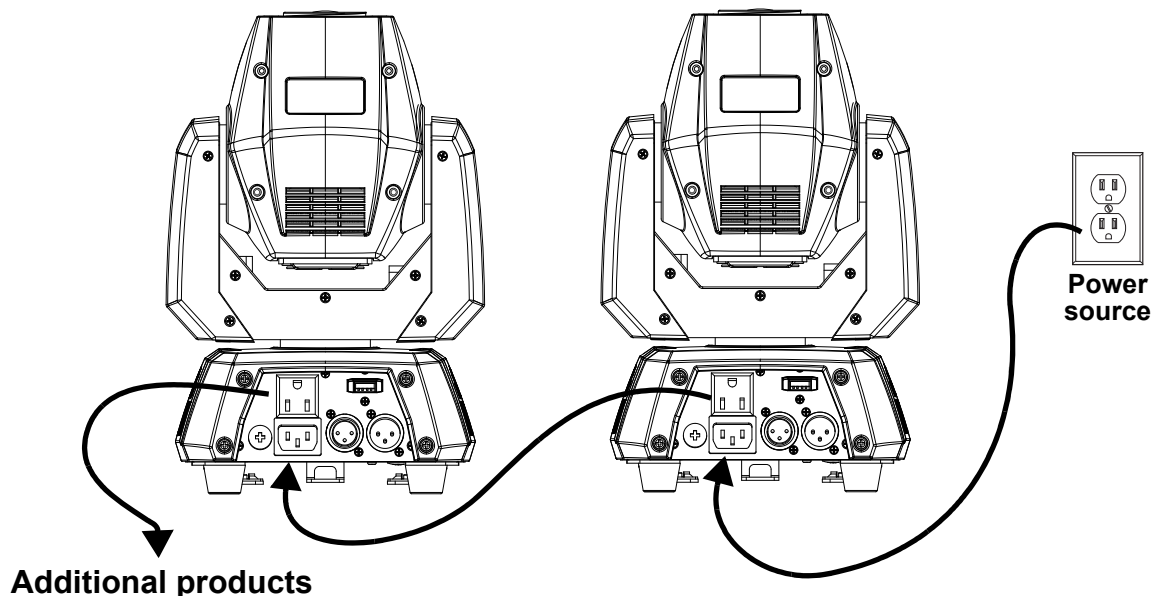


Disconnect the product from the power outlet before replacing the fuse.

Power Linking

The product provides power linking via the outlet located in the back of the product. See the diagram below for further explanation.

Power-Linking Diagram



It is possible power link up to 7 Intimidator Spot 160 ILS products on 120 VAC or up to 12 products on 230 VAC.

Mounting

Before mounting the product, read and follow the safety recommendations indicated in the [Safety Notes](#).

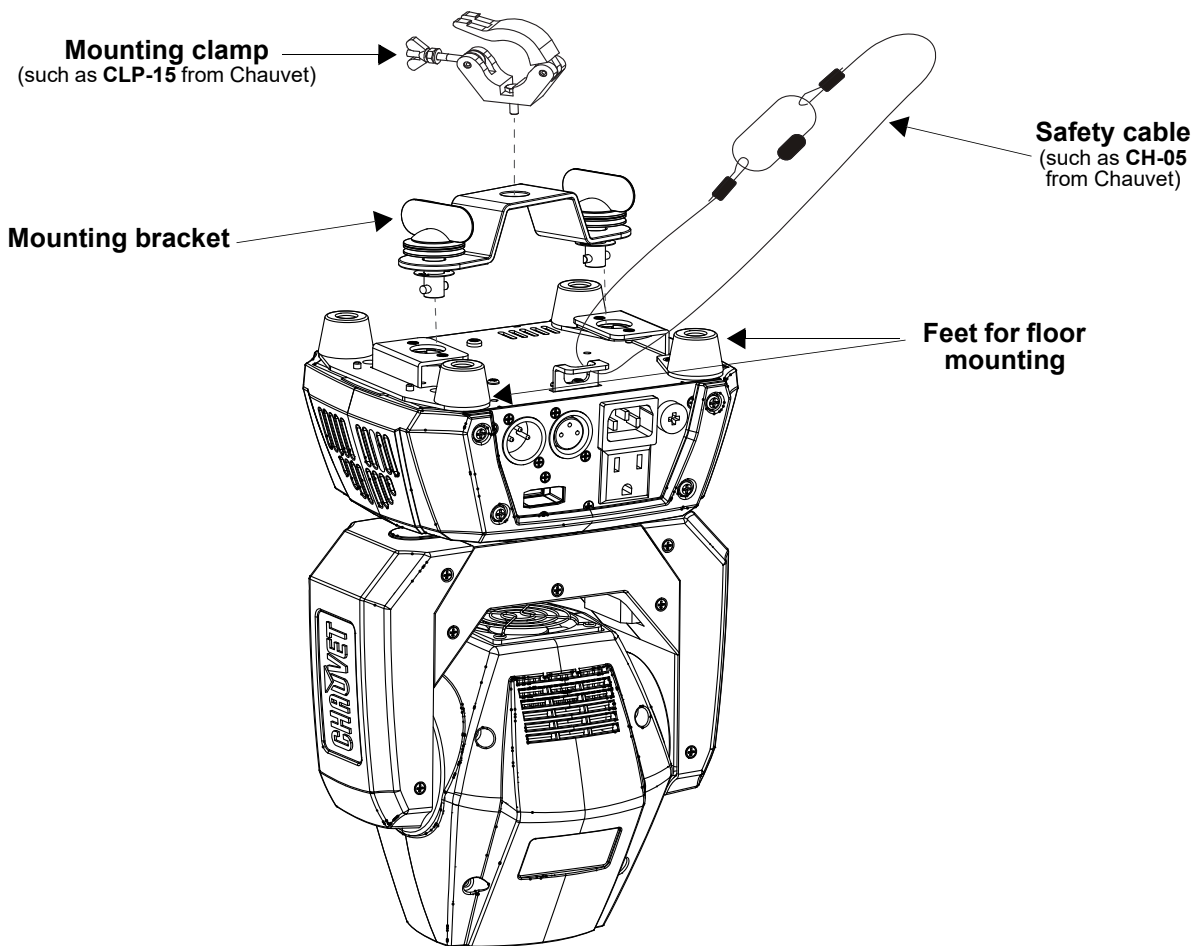
Orientation

The Intimidator Spot 160 ILS may be mounted in any position; however, make sure adequate ventilation is provided around the product.

Rigging

- Before deciding on a location, always make sure there is easy access to the product for maintenance and programming.
- Make sure adequate ventilation is provided around the product.
- Make sure that the structure or surface onto which the product is being mounted can support the product's weight (see the [Technical Specifications](#)).
- When mounting the product overhead, always use a safety cable. Mount the product securely to a rigging point, whether an elevated platform or a truss.
- When rigging the product onto a truss, use a mounting clamp of appropriate weight capacity.
- When power linking multiple products, mount the products close enough for power-linking cables to reach.
- The rubber feet also serve as floor supports and allow for surface mounting. When mounting the product on the floor, make sure that the product and cables are away from people and vehicles.

Mounting Diagram



When using one mounting clamp with this fixture, use a clamp with a captive bolt to prevent accidental loosening.

4. Operation

Control Panel Operation

To access the control panel functions, use the four buttons located underneath the display. Please refer to the [Product Overview](#) to see the button locations on the control panel.

Button	Function
<MENU>	Exits from the current menu or function
<UP>	Navigates upwards through the menu list or increases a selected numeric value
<DOWN>	Navigates downwards through the menu list or decreases a selected numeric value
<ENTER>	Enables the currently displayed menu or sets a selected value into the selected function

Menu Map

Refer to the Intimidator Spot 160 ILS product page on www.chauvetdj.com for the latest menu map.

Main Level	Programming Levels		Description	
Address	001–512		Sets the DMX starting address	
Run Mode	DMX	11CH	Selects the DMX mode	
		05CH		
	Slave	Slave1–4		Selects Slave mode 1, 2, 3, or 4
		Auto		Selects Auto mode
	Sound		Selects Sound-Active mode	
	IR		Selects infrared control	
	Manual	Pan	000–255	Manual pan control
		Tilt		Manual tilt control
		Color		Manual color control
		Gobo		Manual gobo control
Dimmer		Manual dimmer control		
Shutter		Manual shutter control		
Setup	Pan Reverse	OFF	Normal pan operation	
		ON	Reverse pan operation	
	Tilt Reverse	OFF	Normal tilt operation	
		ON	Reverse tilt operation	
	Screen Reverse	OFF	Normal display	
		ON	Reverse display	
	Pan Angle	540	Selects the 540° pan angle range	
		360	Selects the 360° pan angle range	
		180	Selects the 180° pan angle range	
	Tilt Angle	229	Selects the 229° tilt angle range	
		180	Selects the 180° tilt angle range	
		90	Selects the 90° tilt angle range	
	Totem Mode	OFF	Does not restrict the pan and tilt motion	
UP		Restricts the pan and tilt motion for overhead mounting		
DOWN		Restricts the pan and tilt motion for surface/floor mounting		
Sensitivity	001–100		Sets the sound sensitivity	

Main Level	Programming Levels		Description
Setup	DMX Loss	Hold	Holds the last setting when signal is lost
		Black	Blacks out the product when signal is lost
		Auto	Sets the unit to Auto mode when signal is lost
		Sound	Sets the unit to Sound mode when signal is lost
	Indicator	ON	Enables/disables LED indicator
		OFF	
	Flash if DMX	ON	LED indicator flashes when fixture is connected to DMX
		OFF	LED indicator flashes when fixture is disconnected from DMX
	Follow Spot	ON	Enables fixture to be controlled via ILS command
		OFF	Disables Follow Spot mode
Reset		Resets the product	
Factory Set		Loads factory defaults	
Sys Info	Ver:	V_	Displays the firmware version
	Running Mode:	-----	Displays the current running mode
	DMX Address:	---	Displays the current DMX address
	Temperature:	__°C	Displays the product temperature in °C
	DFI:	-----	Displays connected D-Fi (if available)

DMX Configuration

The Intimidator Spot 160 ILS works with a DMX controller. Information about DMX is in the Chauvet DMX Primer available from the Chauvet website:

http://www.chauvetlighting.com/downloads/DMX_Primer_rev05_WO.pdf.

Starting Address

When selecting a starting DMX address, always consider the number of DMX channels the selected DMX mode uses. If the starting address is set too high, access to some of the product's channels could be restricted. The Intimidator Spot 160 ILS uses up to 11 DMX channels, which defines the highest configurable address to **502**.

For information about the DMX protocol, download the DMX Primer from www.chauvetdj.com.

To select the starting address, do the following:

1. Press **<MENU>**.
2. Use **<UP>** or **<DOWN>** to select **Address**.
3. Press **<ENTER>**.
4. Use **<UP>** or **<DOWN>** to select the starting address, from **001–512**.
5. Press **<ENTER>**.

DMX Personalities

The Intimidator Spot 160 ILS has two DMX personalities: an 11-channel personality and a 5-channel personality.

To select a DMX personality, follow the instructions below.

1. Press **<MENU>**.
2. Use **<UP>** or **<DOWN>** to select **Run Mode**.
3. Press **<ENTER>**.
4. Use **<UP>** or **<DOWN>** to select **DMX**.
5. Press **<ENTER>**.
6. Use **<UP>** or **<DOWN>** to select the DMX personality, **05CH** or **11CH**.
7. Press **<ENTER>**.

DMX Channel Assignments and Values

05CH	11CH	Function	Value	Percent/Setting
1	1	Pan	000 ⇄ 255	0–540°
–	2	Fine pan	000 ⇄ 255	Fine control of panning
2	3	Tilt	000 ⇄ 255	0–229°
–	4	Fine tilt	000 ⇄ 255	Fine control of tilting
–	5	Pan/Tilt speed	000 ⇄ 255	Pan/tilt speed (fast to slow)
3	6	Color wheel	000 ⇄ 006	Cool white
			007 ⇄ 013	Red
			014 ⇄ 020	Orange
			021 ⇄ 027	Yellow
			028 ⇄ 034	Green
			035 ⇄ 041	Blue
			042 ⇄ 048	CTO
			049 ⇄ 055	Cyan
			056 ⇄ 062	Magenta
			063 ⇄ 064	Lime green
			065 ⇄ 189	Color indexing
			190 ⇄ 221	Color cycling rainbow (fast to slow)
			222 ⇄ 223	Stop
224 ⇄ 255	Reverse color cycling rainbow (slow to fast)			
4	7	Gobo wheel (see Gobos)	000 ⇄ 006	Open
			007 ⇄ 011	Gobo 1
			012 ⇄ 017	Gobo 2
			018 ⇄ 023	Gobo 3
			024 ⇄ 029	Gobo 4
			030 ⇄ 035	Gobo 5
			036 ⇄ 041	Gobo 6
			042 ⇄ 047	Gobo 7
			048 ⇄ 053	Gobo 8
			054 ⇄ 063	Gobo 9
			064 ⇄ 069	Gobo 9 shake (slow to fast)
			070 ⇄ 075	Gobo 8 shake (slow to fast)
			076 ⇄ 081	Gobo 7 shake (slow to fast)
			082 ⇄ 087	Gobo 6 shake (slow to fast)
			088 ⇄ 093	Gobo 5 shake (slow to fast)
			094 ⇄ 099	Gobo 4 shake (slow to fast)
			100 ⇄ 105	Gobo 3 shake (slow to fast)
			106 ⇄ 111	Gobo 2 shake (slow to fast)
			112 ⇄ 117	Gobo 1 shake (slow to fast)
			118 ⇄ 127	Open
128 ⇄ 189	Cycle effect (slow to fast)			
190 ⇄ 193	Stop			
194 ⇄ 255	Reverse cycle effect (slow to fast)			
–	8	Dimmer	000 ⇄ 255	0–100%
5	9	Shutter	000 ⇄ 003	Closed
			004 ⇄ 007	Open
			008 ⇄ 076	Strobe (slow to fast)
			077 ⇄ 145	Pulse strobe (slow to fast)
			146 ⇄ 215	Random strobe (slow to fast)
			216 ⇄ 255	On

05CH	11CH	Function	Value	Percent/Setting
-	10	Control	000 ⇔ 007	No function
			008 ⇔ 015	Blackout on pan/tilt movement
			016 ⇔ 023	Blackout on color wheel movement
			024 ⇔ 031	Blackout on gobo wheel movement
			032 ⇔ 039	Blackout on pan/tilt/color wheel movement
			040 ⇔ 047	Blackout on pan/tilt/gobo wheel movement
			048 ⇔ 055	Blackout on pan/tilt/color/gobo wheel movement
			056 ⇔ 095	No function
			096 ⇔ 103	Pan reset
			104 ⇔ 111	Tilt reset
			112 ⇔ 119	Color wheel reset
			120 ⇔ 127	Gobo wheel reset
			128 ⇔ 151	No function
			152 ⇔ 159	Reset all
			160 ⇔ 255	No function
			-	11
008 ⇔ 023	Movement macro 1			
024 ⇔ 039	Movement macro 2			
040 ⇔ 055	Movement macro 3			
056 ⇔ 071	Movement macro 4			
072 ⇔ 087	Movement macro 5			
088 ⇔ 103	Movement macro 6			
104 ⇔ 119	Movement macro 7			
120 ⇔ 135	Movement macro 8			
136 ⇔ 151	Sound-active movement macro 1			
152 ⇔ 167	Sound-active movement macro 2			
168 ⇔ 183	Sound-active movement macro 3			
184 ⇔ 199	Sound-active movement macro 4			
200 ⇔ 215	Sound-active movement macro 5			
216 ⇔ 231	Sound-active movement macro 6			
232 ⇔ 247	Sound-active movement macro 7			
248 ⇔ 255	Sound-active movement macro 8			

Gobos



Standalone Configuration

Set the product in one of the standalone modes to control without a DMX controller.



Never connect a product that is operating in any standalone mode to a DMX string connected to a DMX controller. Products in standalone mode may transmit DMX signals that could interfere with the DMX signals from the controller.

Automatic Programs

To run the Intimidator Spot 160 ILS in automatic mode, follow the instructions below:

1. Press **<MENU>**.
2. Use **<UP>** or **<DOWN>** to select **Run Mode**.
3. Press **<ENTER>**.
4. Use **<UP>** or **<DOWN>** to select **Auto**.
5. Press **<ENTER>**.

Sound-Active Mode

To run the Intimidator Spot 160 ILS in sound-active mode, do the following:

1. Press **<MENU>**.
2. Use **<UP>** or **<DOWN>** to select **Run Mode**.
3. Press **<ENTER>**.
4. Use **<UP>** or **<DOWN>** to select **Sound**.
5. Press **<ENTER>**.

Sound Sensitivity

To set the sound sensitivity on the Intimidator Spot 160 ILS, follow the instructions below:

1. Press **<MENU>**.
2. Use **<UP>** or **<DOWN>** to select **Setup**.
3. Press **<ENTER>**.
4. Use **<UP>** or **<DOWN>** to select **Sensitivity**.
5. Press **<ENTER>**.
6. Use **<UP>** or **<DOWN>** to increase or decrease the sound sensitivity, from **001–100**.
7. Press **<ENTER>**.



The product will only respond to low frequencies of music (bass and drums).

Manual Mode

To operate the Intimidator Spot 160 ILS manually through the menu, do the following:

1. Press **<MENU>**.
2. Use **<UP>** or **<DOWN>** to select **Run Mode**.
3. Press **<ENTER>**.
4. Use **<UP>** or **<DOWN>** to select **Manual**.
5. Press **<ENTER>**.
6. Use **<UP>** or **<DOWN>** to select from **Pan, Tilt, Color, Gobo, Dimmer, or Shutter**.
7. Press **<ENTER>**.
8. Use **<UP>** or **<DOWN>** to increase or decrease the value of the selected function, from **000–255**.
9. Press **<ENTER>**.
10. Repeat steps 6–9 until the product is set as desired.

Settings Configuration

Pan Reverse

To set the pan orientation on the Intimidator Spot 160 ILS, follow the instructions below:

1. Press **<MENU>**.
2. Use **<UP>** or **<DOWN>** to select **Setup**.
3. Press **<ENTER>**.
4. Use **<UP>** or **<DOWN>** to select **Pan Reverse**.
5. Press **<ENTER>**.
6. Use **<UP>** or **<DOWN>** to select **OFF** (normal pan orientation) or **ON** (reverse pan orientation).
7. Press **<ENTER>**.

Operation

Tilt Reverse

To set the tilt orientation on the Intimidator Spot 160 ILS, do the following:

1. Press **<MENU>**.
2. Use **<UP>** or **<DOWN>** to select **Setup**.
3. Press **<ENTER>**.
4. Use **<UP>** or **<DOWN>** to select **Tilt Reverse**.
5. Press **<ENTER>**.
6. Use **<UP>** or **<DOWN>** to select **OFF** (normal tilt orientation) or **ON** (reverse tilt orientation).
7. Press **<ENTER>**.

Screen Reverse

To set the display orientation on the Intimidator Spot 160 ILS, follow the instructions below:

1. Press **<MENU>**.
2. Use **<UP>** or **<DOWN>** to select **Setup**.
3. Press **<ENTER>**.
4. Use **<UP>** or **<DOWN>** to select **Screen Reverse**.
5. Press **<ENTER>**.
6. Use **<UP>** or **<DOWN>** to select **OFF** (normal display orientation) or **ON** (reverse display orientation).
7. Press **<ENTER>**.

Pan Angle

To set the pan angle range on the Intimidator Spot 160 ILS, do the following:

1. Press **<MENU>**.
2. Use **<UP>** or **<DOWN>** to select **Setup**.
3. Press **<ENTER>**.
4. Use **<UP>** or **<DOWN>** to select **Pan Angle**.
5. Press **<ENTER>**.
6. Use **<UP>** or **<DOWN>** to select from **540** (540°), **360** (360°), or **180** (180°).
7. Press **<ENTER>**.

Tilt Angle

To set the tilt angle range on the Intimidator Spot 160 ILS, follow the instructions below:

1. Press **<MENU>**.
2. Use **<UP>** or **<DOWN>** to select **Setup**.
3. Press **<ENTER>**.
4. Use **<UP>** or **<DOWN>** to select **Tilt Angle**.
5. Press **<ENTER>**.
6. Use **<UP>** or **<DOWN>** to select from **229** (229°), **180** (180°), or **90** (90°).
7. Press **<ENTER>**.

Totem Mode

To activate the Totem mode, do the following:

1. Press **<MENU>**.
2. Use **<UP>** or **<DOWN>** to select **Setup**.
3. Press **<ENTER>**.
4. Use **<UP>** or **<DOWN>** to select **Totem Mode**.
5. Press **<ENTER>**.
6. Use **<UP>** or **<DOWN>** to select **OFF** (normal range of motion), **UP** (restricts the pan and tilt motion for overhead mounting), or **DOWN** (restricts the pan and tilt motion for surface/floor mounting).
7. Press **<ENTER>**.

DMX Loss

To set the action the Intimidator Spot 160 ILS will do when signal is lost, do the following:

1. Press **<MENU>**.
2. Use **<UP>** or **<DOWN>** to select **Setup**.
3. Press **<ENTER>**.
4. Use **<UP>** or **<DOWN>** to select **DMX Loss**.
5. Press **<ENTER>**.
6. Use **<UP>** or **<DOWN>** to select **Hold** (holds the last setting), **Black** (blacks out the product), **Auto** (sets the unit to auto mode), or **Sound** (sets the unit to sound mode).
7. Press **<ENTER>**.

Indicator

To enable or disable the LED indicator, do the following:

1. Press **<MENU>**.
2. Use **<UP>** or **<DOWN>** to select **Setup**.
3. Press **<ENTER>**.
4. Use **<UP>** or **<DOWN>** to select **Indicator**.
5. Press **<ENTER>**.
6. Use **<UP>** or **<DOWN>** to select **OFF** (disabled) or **ON** (enabled).
7. Press **<ENTER>**.

Flash if DMX

To set the whether the LED indicator flashes when the fixture is connected to or disconnected from the DMX, follow the instructions below:

1. Press **<MENU>**.
2. Use **<UP>** or **<DOWN>** to select **Setup**.
3. Press **<ENTER>**.
4. Use **<UP>** or **<DOWN>** to select **Flash if DMX**.
5. Press **<ENTER>**.
6. Use **<UP>** or **<DOWN>** to select **ON** (LED indicator flashes when fixture is connected to the DMX) or **OFF** (LED indicator flashes when fixture is disconnected to the DMX).
7. Press **<ENTER>**.

Follow Spot Mode

To enable fixtures to be controlled via ILS command, follow the instructions below:

1. Press **<MENU>**.
2. Use **<UP>** or **<DOWN>** to select **Setup**.
3. Press **<ENTER>**.
4. Use **<UP>** or **<DOWN>** to select **Follow Spot**.
5. Press **<ENTER>**.
6. Use **<UP>** or **<DOWN>** to select **ON** (enables Follow Spot mode) or **OFF** (disables follow spot mode).
7. Press **<ENTER>**.

Reset

To reset all functions on the Intimidator Spot 160 ILS, do the following:

1. Press **<MENU>**.
2. Use **<UP>** or **<DOWN>** to select **Setup**.
3. Press **<ENTER>**.
4. Use **<UP>** or **<DOWN>** to select **Reset**.
5. Press **<ENTER>**.

Factory Reset

To restore the Intimidator Spot 160 ILS to factory default settings, follow the instructions below:

1. Press **<MENU>**.
2. Use **<UP>** or **<DOWN>** to select **Setup**.
3. Press **<ENTER>**.
4. Use **<UP>** or **<DOWN>** to select **Factory Set**.
5. Press **<ENTER>**.

System Information

To view the system information on the Intimidator Spot 160 ILS, do the following:

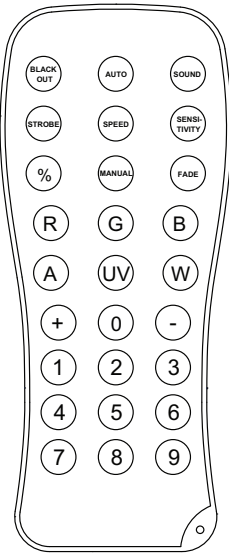
1. Press **<MENU>**.
2. Use **<UP>** or **<DOWN>** to select **Sys Info**.
3. Press **<ENTER>**.
4. Use **<UP>** or **<DOWN>** to select **Ver** (displays the firmware version), **Running Mode** (displays the current running mode), **DMX Address** (displays the current DMX address), **Temperature** (displays the product temperature in °C), or **DFI** (displays connected D-Fi, if available).

IRC-6 Infrared Remote Control

The Intimidator Spot 160 ILS is compatible with the IRC-6 infrared remote control from Chauvet. To set the Intimidator Spot 160 ILS to IR mode, follow the instructions below:

1. Press **<MENU>**.
2. Use **<UP>** or **<DOWN>** to select **Run Mode**.
3. Press **<ENTER>**.
4. Press **<UP>** or **<DOWN>** to select **IR**.
5. Press **<ENTER>**.

IRC-6 Operation



Dimmer

To set the dimmer value with the IRC-6:

1. Press **<DIMMER>**.
2. Use **<+>** or **<->** to widen or narrow the shutter.

Pan/Tilt

To set the pan/tilt speed using the IRC-6:

1. Press **<SPEED>**.
2. Use **<+>** or **<->** to increase or decrease the pan/tilt speed from **000** (fastest) to **255** (slowest).

To manually set the pan/tilt values:

1. Press **<A>** to toggle between pan and tilt.
2. Use **<+>** or **<->** to increase or decrease the pan/tilt value, from **000–255**.

Sound Mode

To activate sound-active mode using the IRC-6:

1. Press **<SOUND>**.

To adjust the sound sensitivity:

1. Press **<SENSITIVITY>**.
2. Use **<+>** or **<->** to increase or decrease the sound sensitivity.

Auto Mode

To activate auto mode using the IRC-6:

1. Press **<AUTO>**.
2. Press **<+>**, **<->**, or **<0>–<9>** to select an auto program.

To activate auto color/gobo mode using the IRC-6:

1. Press ****.

Color Wheel

To access the color wheel using the IRC-6:

1. Press **<FADE>** to cycle through the static colors in the color wheel.

To adjust the speed of the color wheel rotation:

1. Press **<R>** to set the color wheel rotation speed.
2. Use **<+>** or **<->** to increase or decrease the speed from **000** (slowest) to **255** (fastest).
3. Press **<R>** to toggle direction.

Gobo Wheel

To access the gobo wheel using the IRC-6:

1. Press **<MANUAL>** to cycle through the static gobos in the gobo wheel.

To adjust the speed of the gobo wheel rotation:

1. Press **<G>** to set the gobo wheel rotation speed.
2. Use **<+>** or **<->** to increase or decrease the speed from **000** (slowest) to **255** (fastest).
3. Press **<G>** to toggle direction.

Blackout

To blackout the lights with the IRC-6:

1. Press **<BLACKOUT>** on the IRC-6.

This will turn off all the lights until the button is pressed again.

Note: The IRC-6 will not respond to any inputs when Blackout is activated. If the product does not respond when a button is pressed, try pressing <BLACKOUT>, as Blackout may have been activated.

Master/Slave Mode

The Master/Slave mode allows a single Intimidator Spot 160 ILS product (the “master”) to control the actions of one or more Intimidator Spot 160 ILS products (the “slaves”) without the need of a DMX controller. The master product will be set to operate in either standalone mode or with the IRC-6, whereas the slave products will be set to operate in slave mode. Once set and connected, the slave products will operate in unison with the master product.

Configure the products as indicated below.

Slave products:

1. Press **<MENU>**.
2. Use **<UP>** or **<DOWN>** to select **Run Mode**.
3. Press **<ENTER>**.
4. Use **<UP>** or **<DOWN>** to select **Slave**.
5. Press **<ENTER>**.
6. Use **<UP>** or **<DOWN>** to select from **Slave1**, **Slave2**, **Slave3**, or **Slave4**.
 - Select **Slave1** for 100% synchronized actions.
 - Select **Slave2**, **Slave3**, and/or **Slave4** for delayed actions, creating a wave effect.
7. Press **<ENTER>**.
8. Connect the DMX input of the first slave product to the DMX output of the master product.
9. Connect the DMX input of the subsequent slave products to the DMX output of the previous slave product.
10. Finish setting and connecting all the slave products.

Master product:

1. Set the master product to operate in standalone mode or with the IRC-6.
2. Make the master product the first product in the DMX daisy chain.



- **Configure all the slave products before connecting the master to the daisy chain.**
- **Never connect a DMX controller to a DMX string configured for Master/Slave operation because the controller may interfere with the signals from the master.**

5. Maintenance

Product Maintenance

Dust build-up reduces light output performance and can cause overheating. This can lead to reduction of the light source's life and/or mechanical wear. To maintain optimum performance and minimize wear, clean the lighting products at least twice a month. However, be aware that usage and environmental conditions could be contributing factors to increase the cleaning frequency.

To clean the product, follow the instructions below:

1. Unplug the product from power.
2. Wait until the product is at room temperature.
3. Use a vacuum (or dry compressed air) and a soft brush to remove dust collected on the external surface/vents.
4. Clean all transparent surfaces with a mild soap solution, ammonia-free glass cleaner, or isopropyl alcohol.
5. Apply the solution directly to a soft, lint-free cotton cloth or a lens-cleaning tissue.
6. Softly drag any dirt or grime to the outside of the transparent surface.
7. Gently polish the transparent surfaces until they are free of haze and lint.



Always dry the transparent surfaces carefully after cleaning them.



Do not spin the cooling fans using compressed air because they could be damaged.

6. Technical Specifications

Dimensions and Weight

Length	Width	Height	Weight
8.2 in (207 mm)	5.9 in (149 mm)	12 in (308 mm)	8.2 lb (3.8 kg)

Note: Dimensions in inches rounded to the nearest decimal digit.

Power

Power Supply Type	Range	Voltage Selection
Switching (internal)	100 to 240 VAC, 50/60 Hz	Auto-ranging

Parameter	120 V, 60 Hz	230 V, 50 Hz
Consumption	83 W	77 W
Operating current	1.1 A	0.6 A
Power-linking current (products)	7 products	12 products

Power I/O	U.S./Worldwide	UK/Europe
Power input connector	IEC	IEC
Power output connector	IEC	IEC
Power cord plug	Edison (U.S.)	Local plug

Light Source

Type	Color	Quantity	Power	Current	Lifespan
LED	Cool white	1	32 W	2.3 A	50,000 hours

Photometrics

Parameter	Value
Strobe rate	0 to 20 Hz
PWM frequency	1.4 kHz
Beam angle	15°
Illuminance @ 2 m	5,000 lux

Thermal

Maximum External Temperature	Cooling System
104 °F (40 °C)	Convection

DMX

I/O Connector	Channel Range
3-pin XLR	5 or 11

Ordering

Product Name	Item Code	UPC Number
Intimidator Spot 160 ILS	10011850	781462221980



Contact Us

General Information	Technical Support
Chauvet World Headquarters	
Address: 3360 Davie Rd. Davie, FL 33314 Voice: (954) 577-4455 Fax: (954) 929-5560 Toll Free: (800) 762-1084	Voice: (844) 393-7575 Fax: (954) 756-8015 Email: chauvetcs@chauvetlighting.com Website: www.chauvetdj.com
Chauvet U.K.	
Address: Pod 1 EVO Park Little Oak Drive, Sherwood Park Nottinghamshire, NG15 0EB UK Voice: +44 (0) 1773 511115 Fax: +44 (0) 1773 511110	Email: UKtech@chauvetlighting.eu Website: www.chauvetdj.eu
Chauvet Benelux	
Address: Stokstraat 18 9770 Kruishoutem Belgium Voice: +32 9 388 93 97	Email: BNLtech@chauvetlighting.eu Website: www.chauvetdj.eu
Chauvet France	
Address: 3, Rue Ampère 91380 Chilly-Mazarin France Voice: +33 1 78 85 33 59	Email: FRtech@chauvetlighting.fr Website: www.chauvetdj.eu
Chauvet Germany	
Address: Bruno-Bürgel-Str. 11 28759 Bremen Germany Voice: +49 421 62 60 20	Email: DEtech@chauvetlighting.de Website: www.chauvetdj.eu
Chauvet Mexico	
Address: Av. de las Partidas 34 - 3B (Entrance by Calle 2) Zona Industrial Lerma Lerma, Edo. de México, CP 52000 Voice: +52 (728) 690-2010	Email: servicio@chauvet.com.mx Website: www.chauvetdj.mx

Warranty & Returns

For warranty terms and conditions and return information, please visit our website.

For customers in the United States and Mexico: www.chauvetlighting.com/warranty-registration.

For customers in the United Kingdom, Republic of Ireland, Belgium, the Netherlands, Luxembourg, France, and Germany: www.chauvetlighting.eu/warranty-registration.